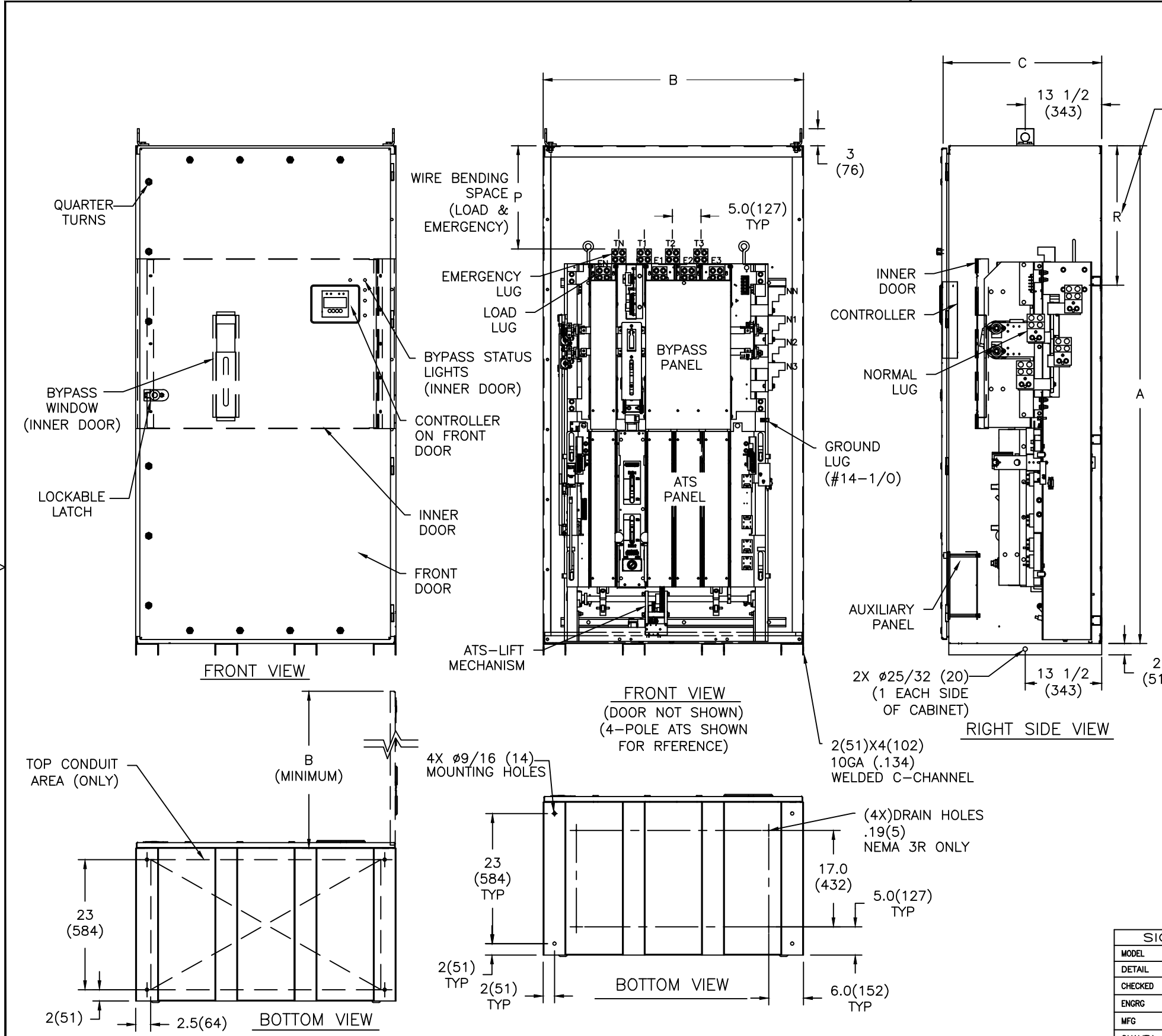


REVISIONS			
REV.	DESCRIPTION	DATE	APPROVED
1	C033891 REVISED DRAWING	09/27/17	SV MAS



ZBTSCT SWITCHES	NO. POLES	CABINET PART#	LUG RANGE	WIRE BENDING SPACE	
				P(L&E)	R(NORMAL)
100-400 AMP	2,3	F-1884MP	(QTY 1) #4-600 MCM (33-304mm ²)	17 7/8 (454)	31 (787)
	4	F-1885MP			26 3/4 (679)

ZBTS(D/CT) SWITCHES	NO. POLES	NEMA 1 CABINET	LUG RANGE	WIRE BENDING SPACE	
				P(L&E)	R(NORMAL)
600 AMP	2,3	F-1884MP	(QTY 2) #2-600 MCM (33-304mm ²)	17 7/8 (454)	31 (787)
	4	F-1885MP			26 3/4 (679)
800-1200 AMP	2,3	F-1886MP	(QTY 4) #2-600 MCM (33-304mm ²)	17 7/8 (454)	29 1/4 (743)
	4	F-1887MP			24 3/4 (629)

CABINET DIMENSIONS			
CABINET	A	B	C
F-1884MP	88 (2235)	36 (914)	28 1/4 (737)
F-1885MP	88 (2235)	40 (1016)	28 1/4 (737)
F-1886MP	88 (2235)	40 (1016)	28 1/4 (737)
F-1887MP	88 (2235)	46 (1168)	28 1/4 (737)

NOTES:

1. MATERIAL: 10 GA. STEEL .134 REF. UNLESS OTHERWISE NOTED.
2. FINISH: ANSI 61 GRAY
3. LOAD AND EMERGENCY LUG CONNECTIONS ARE AT TOP OF BYPASS SWITCH. NORMAL LUG CONNECTIONS ON RIGHT SIDE OF MOUNTING FRAME.
4. ALL CABLES MUST ENTER IN TOP WIRING AREA OF CABINET ABOVE BYPASS SWITCH. NO CABLE ENTRY ALLOWED IN BOTTOM OF CABINET.
5. REAR BAY ADAPTOR IS AVAILABLE FOR BOTTOM CABLE ENTRY. CONSULT FACTORY.
6. ALL DIMENSIONS ARE FOR REFERENCE ONLY AND SHOWN IN INCHES(MILLIMETERS).
7. CONSTRUCTION PER UL 1008
8. SWITCH SUPPLIED WITH STANDARD MECHANICAL LUG RATED FOR AL&CU CABLE. COMPRESSION LUGS ARE AVAILABLE AS AN OPTION.
9. 100% RATED SOLID/SWITCH NEUTRAL PROVIDED PER THE SWITCH CONFIGURATION.
10. REFER PAGE 2 FOR SEISMIC MOUNTING DETAILS.
11. REFER LUG TORQUE LABEL FOR TORQUE INFORMATION.

SIGNATURES		DATE
MODEL	SG	01/31/97
DETAIL		
CHECKED		
ENGRG		
MFG		
QUALITY		
ISSUED		
DRAWING FILE:	50C-1003-f-1.dwg	
MODEL / ASSEMBLY FILE:	ZBTS(D) 600-1200 AMP & ZBTSCT 100-1200 AMP	
# CTQs	⊖	CRITICAL TO QUALITY CHARACTERISTIC

GE Zenith Controls

TITLE: **ATS LAYOUT**
NEMA 3R,4 & 12 ENCL.

FIRST MADE FOR: ZBTS(D) 600-1200 AMP & ZBTSCT 100-1200 AMP

SIZE: **B** CAGE CODE: **B** DWG NO: **50C-1008**

SCALE: N/A SHEET 1 OF 2

THIRD ANGLE PROJECTION

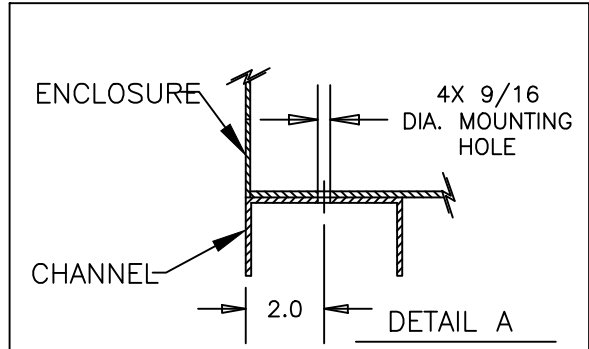
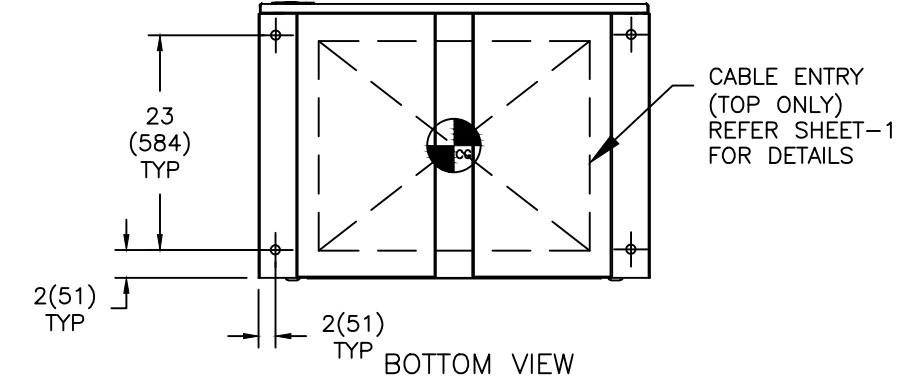
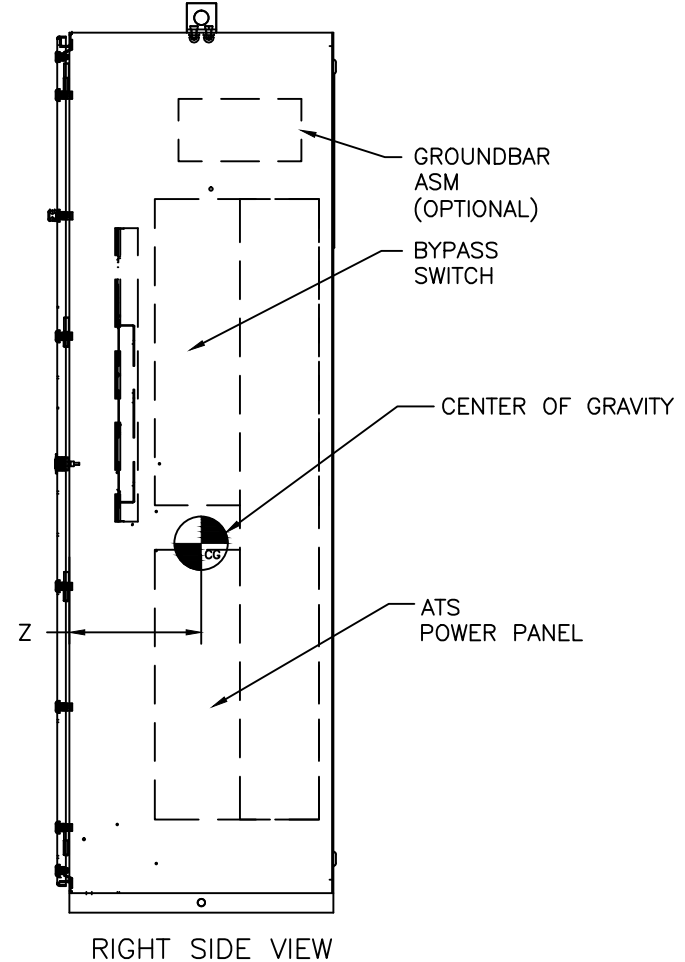
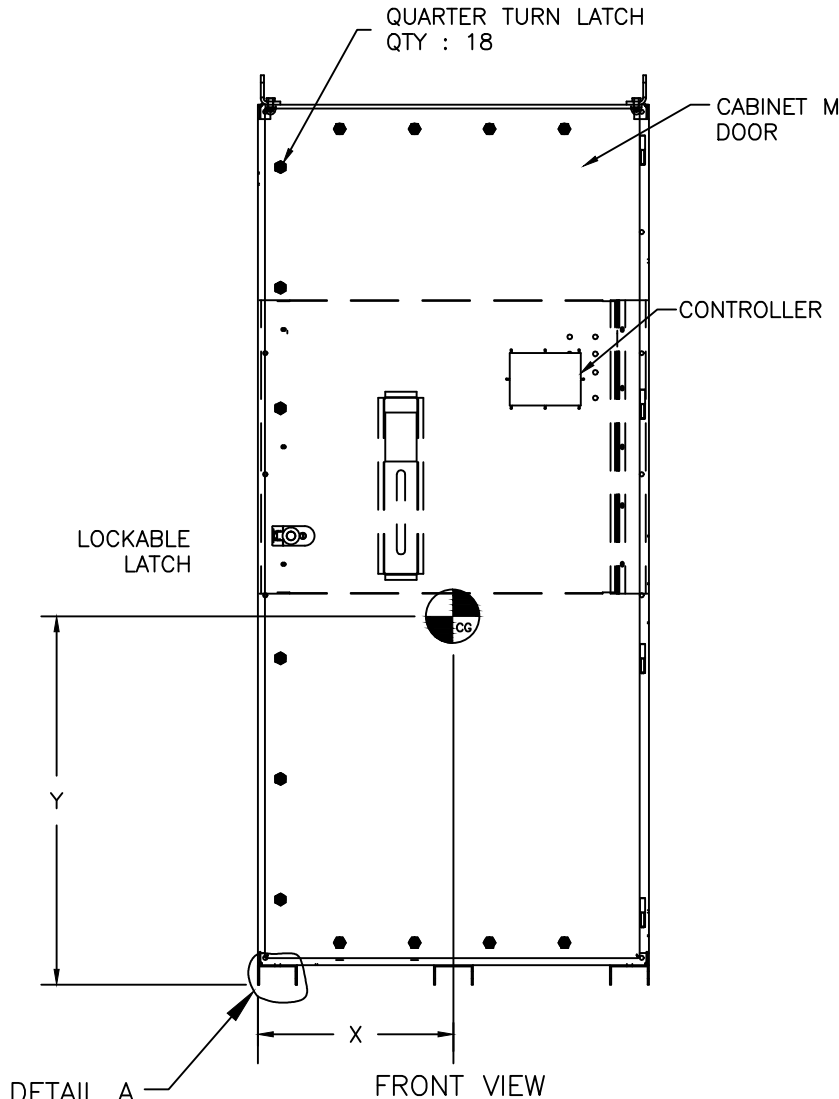
GE PROPRIETARY AND CONFIDENTIAL INFORMATION

This document is the property of General Electric Company ("GE") and contains proprietary information of GE. This document is loaned on the express condition that neither it nor the information contained therein shall be disclosed to others without the express written consent of GE Industrial Systems, and that the information shall be used by the recipient only as approved expressly by GE Industrial Systems. This document shall be returned to GE upon its request. This document may be subject to certain restrictions under U.S. export control laws and regulations.

AutoCad Generated



REVISIONS			
REV.	DESCRIPTION	DATE	APPROVED
1	C033891 REVISED DWG	09/28/17	SV MAS



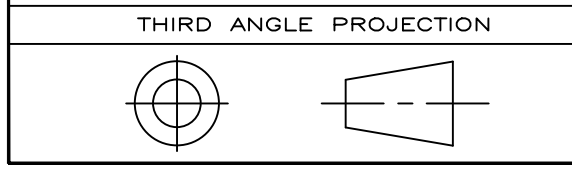
AMP	POLE	WEIGHT	CENTER OF GRAVITY in(mm)		
		LB(kg)	X	Y	Z
100-400 (ZBTSCT)	2,3	1370(621)	18.0(457)	36.0(914)	18.5(470)
	4	1600(726)	20.0(508)		

ZBTS(D)CT AMP	POLE	WEIGHT	CENTER OF GRAVITY in(mm)		
		LB(kg)	X	Y	Z
600	3	1370(621)	18.0(457)	36.0(914)	18.5(470)
	4	1600(726)	20.0(508)		
800-1200	3	1540(699)	20.0(508)	36.0(914)	18.5(470)
	4	1840(835)	23.0(584)		

NOTES:

- ALL DIMENSIONS ARE FOR REFERENCE ONLY AND SHOWN IN INCHES (MILLIMETERS).
- BOLT ENCLOSURE FROM C-CHANNEL BASE (SEE DETAIL B) USING THE FOLLOWING SEISMIC CERTIFIED MOUNTING HARDWARE PER MOUNTING HOLE: (HARDWARE PROVIDED BY INSTALLER).
 - * 1/2-13 GRADE 5 BOLT TORQUE TO 75 FT-LBS. (102 NEWTON METERS).
 - * 1/2-13 STANDARD FLAT WASHER
 - * 1/2 (13) HELICAL SPRING LOCK WASHER.
- CENTER OF GRAVITY DIMENSIONS ARE FOR REFERENCE ONLY.
- FOR WORKING CLEARANCE REFER TO NATIONAL AND LOCAL CODES AND STANDARDS.

SIGNATURES		DATE		GE Zenith Controls
MODEL GG		05/13/08		
DETAIL				TITLE
CHECKED				SEISMIC MOUNTING
ENGRG				FOR NEMA 3R,4 & 12 CABINET
MFG				
QUALITY				
ISSUED				FIRST MADE FOR: ZBTS(D)(CT) 600-1200A & ZBTSCT 100-400A
DRAWING FILE: 50c-1008.dwg		SIZE B	CAGE CODE	DWG NO 50C-1008
MODEL / ASSEMBLY FILE:				
AutoCad Generated		# CTQs	CRITICAL TO QUALITY CHARACTERISTIC	SCALE: N/A
				SHEET 2 OF 2



GE PROPRIETARY AND CONFIDENTIAL INFORMATION

This document is the property of General Electric Company ("GE") and contains proprietary information of GE. This document is loaned on the express condition that neither it nor the information contained therein shall be disclosed to others without the express written consent of GE Industrial Systems, and that the information shall be used by the recipient only as approved expressly by GE Industrial Systems. This document shall be returned to GE upon its request. This document may be subject to certain restrictions under U.S. export control laws and regulations.

