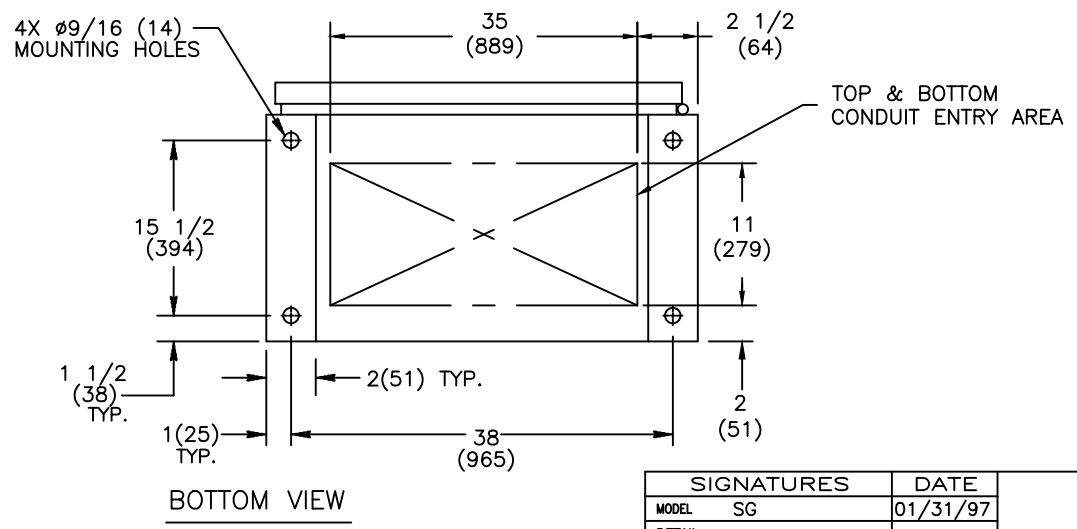
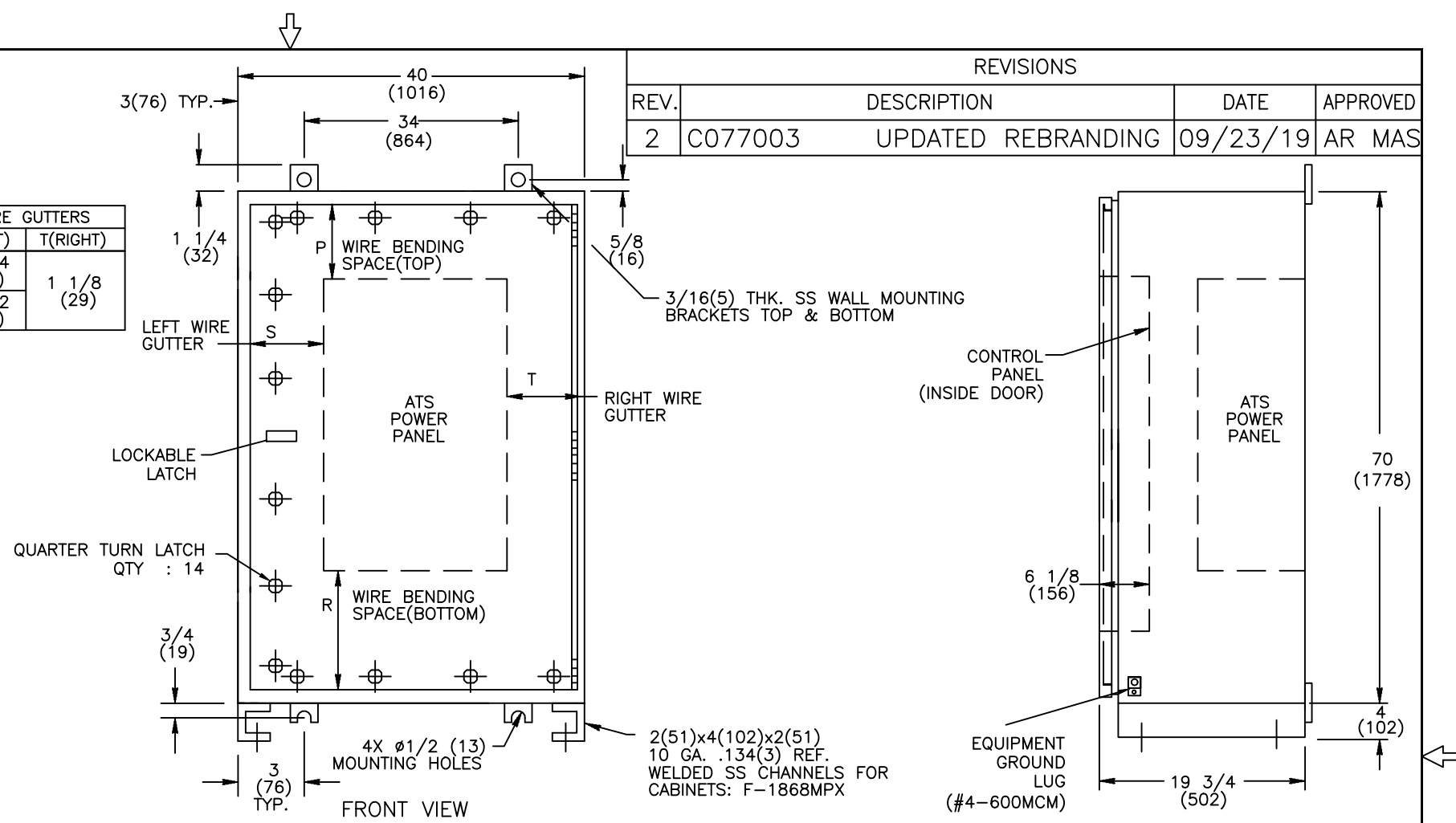


MODEL	CONTROLLER TYPE	NO. POLES	NEMA 4X CABINET	LUG RANGE	WIRE BENDING SPACE		WIRE GUTTERS	
					P(TOP)	R(BOTTOM)	S(LEFT)	T(RIGHT)
ZTS(D/CT) 1000-1200AMP	MX-250	2,3 4	F-1868MPX	(QTY 4) #2-600 MCM (33-304mm <sup>2</sup> )	16 11/16 (424)	20 5/8 (524)	17 1/4 (438) 11 1/2 (292)	1 1/8 (29)

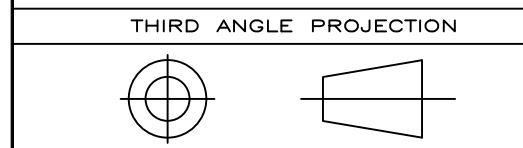
REVISIONS			
REV.	DESCRIPTION	DATE	APPROVED
2	C077003	09/23/19	AR MAS



**NOTES:**

- MATERIAL: UNLESS OTHERWISE NOTED.  
A. 12 GA. (.104) REF. 304 SS (F-1868MPX)
- FINISH: #4
- ALL DIMENSIONS ARE FOR REFERENCE ONLY. SHOWN IN INCHES (MILLIMETER)
- CONSTRUCTION PER UL 1008 STANDARD.
- SWITCH SUPPLIED WITH STANDARD MECHANICAL LUG, RATED FOR AL&CU CABLES.
- SWITCH IS DESIGNED FOR BOTH TOP AND BOTTOM CABLE ENTRY WITH STANDARD SWITCH CONFIGURATION IS, LOAD AND NORMAL LUGS ON TOP AND EMERGENCY LUGS AT BOTTOM.
- 100% RATED SOLID/SWITCH NEUTRAL PROVIDED PER THE SWITCH CONFIGURATION.
- FOR SEISMIC MOUNTING, REFER TO SHEET NO.2
- REFER LUG TORQUE LABEL FOR TORQUE INFORMATION.

SIGNATURES		DATE	TITLE	
MODEL	SG	01/31/97	1000-1200A ATS LAYOUT NEMA 4X ENCLOSURE	
DETAIL			FIRST MADE FOR: FOR 1000-1200A ATS	
CHECKED			SIZE	CAGE CODE
ENGRG			B	DWG NO
MFG			50C-1009	
QUALITY			SCALE: N/A	
ISSUED			SHEET 1 OF 2	
DRAWING FILE: 50c-1009.dwg		MODEL / ASSEMBLY FILE: ZTS(D/CT) 1000-1200 AMP		
# CTQs	⊖	CRITICAL TO QUALITY CHARACTERISTIC		

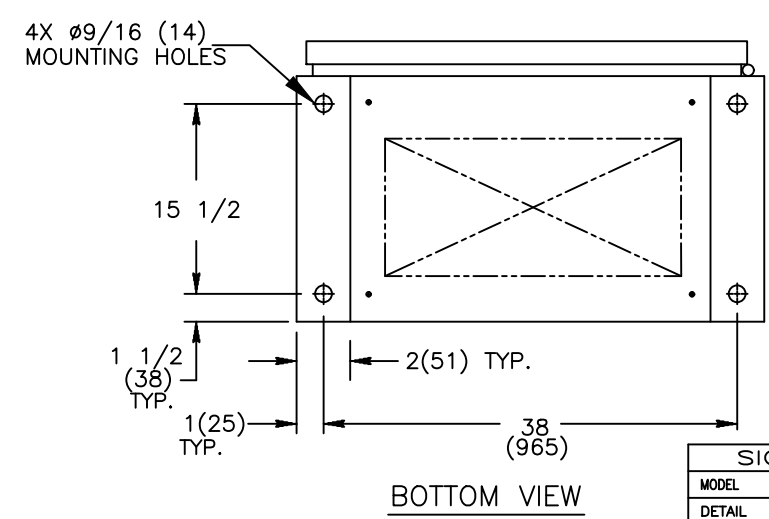
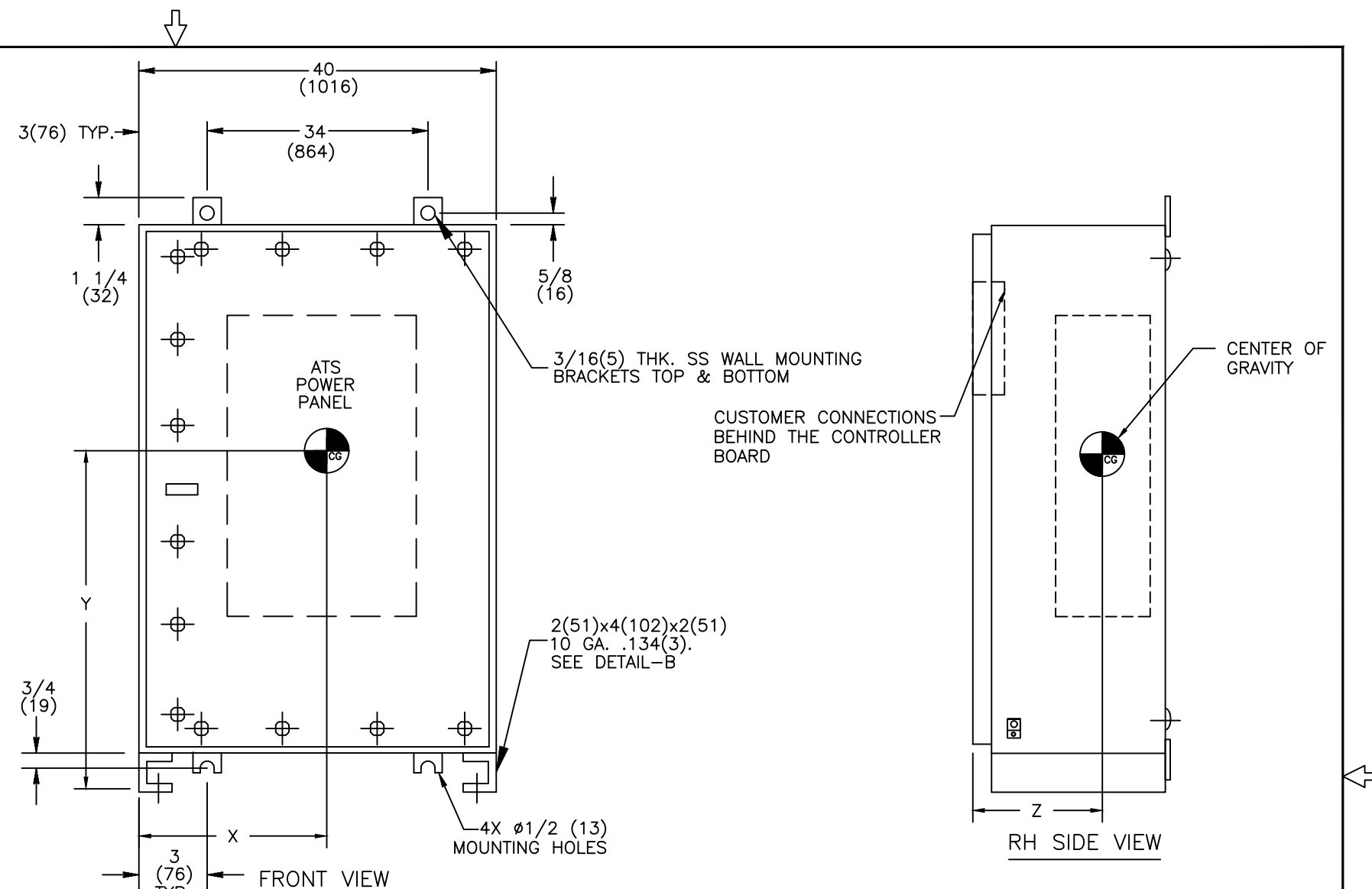
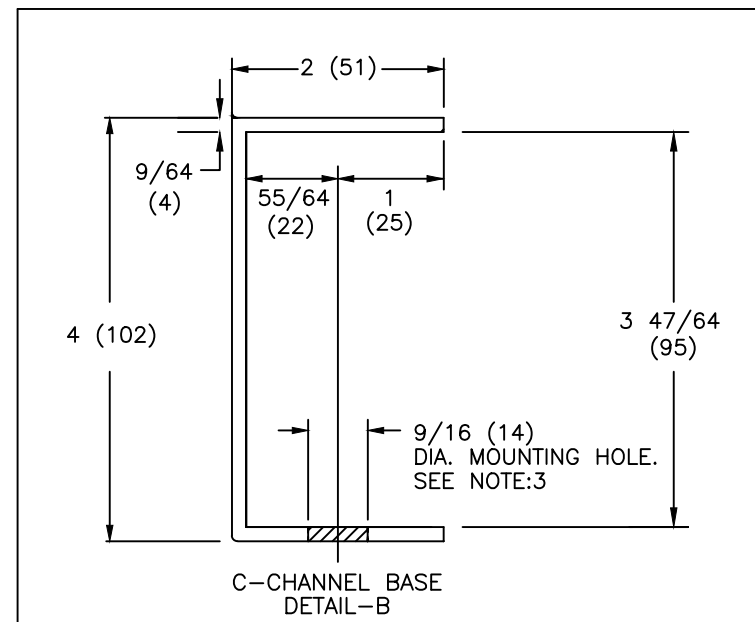


**ABB PROPRIETARY AND CONFIDENTIAL INFORMATION**  
 The information contained in the document has to be kept strictly confidential.  
 Any unauthorized use, reproduction, distribution or disclosure to third parties is strictly forbidden.  
 ABB reserves all rights regarding intellectual Property Rights.  
 Copyright 2018 ABB. All rights reserved

AutoCad Generated

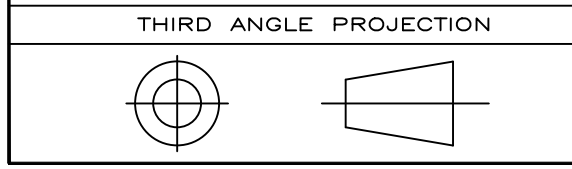
**NOTES:**

1. ALL DIMENSIONS ARE FOR REFERENCE ONLY AND SHOWN IN INCHES (MILLIMETERS).
2. BOLT ENCLOSURE FROM C-CHANNEL BASE (SEE DETAIL B) USING THE FOLLOWING SEISMIC CERTIFIED MOUNTING HARDWARE PER MOUNTING HOLE:  
(HARDWARE PROVIDED BY INSTALLER).
  - \* 1/2-13 GRADE 5 BOLT TORQUE TO 70 FT-LBS. (95 NEWTON METERS).
  - \* 1/2-13 STANDARD FLAT WASHER
  - \* 1/2 (13) HELICAL SPRING LOCK WASHER.
3. CENTER OF GRAVITY DIMENSIONS ARE FOR REFERENCE ONLY.
4. FOR WORKING CLEARANCE REFER TO NATIONAL AND LOCAL CODES AND STANDARDS.



AMP	POLE	CENTER OF GRAVITY in(mm)			
		LB(kg)	X	Y	Z
1000-1200	2,3	549(249)	22.0 (559)	35.5 (902)	12.0 (305)
	4	600(272)			

SIGNATURES		DATE		<b>ABB</b>	
MODEL	SG	01/11/01			
DETAIL					
CHECKED					
ENGRG	MC				
MFG				TITLE	
QUALITY				SEISMIC MOUNTING DETIALS FOR NEMA 4X CABINET	
ISSUED					
DRAWING FILE: 50C-1009-1.dwg		FIRST MADE FOR: FOR ZTS(D/CT) 1000-1200A ATS		SIZE	
MODEL / ASSEMBLY FILE: ZTS(D/CT) (1000-1200A)		CAGE CODE		DWG NO	
AutoCad Generated		# CTQs		50C-1009	
CRITICAL TO QUALITY CHARACTERISTIC		SCALE: N/A		SHEET 2 OF 2	



**ABB PROPRIETARY AND CONFIDENTIAL INFORMATION**

The information contained in the document has to be kept strictly confidential. Any unauthorized use, reproduction, distribution or disclosure to third parties is strictly forbidden. ABB reserves all rights regarding intellectual Property Rights. Copyright 2018 ABB. All rights reserved

AutoCad Generated

# CTQs

CRITICAL TO QUALITY CHARACTERISTIC