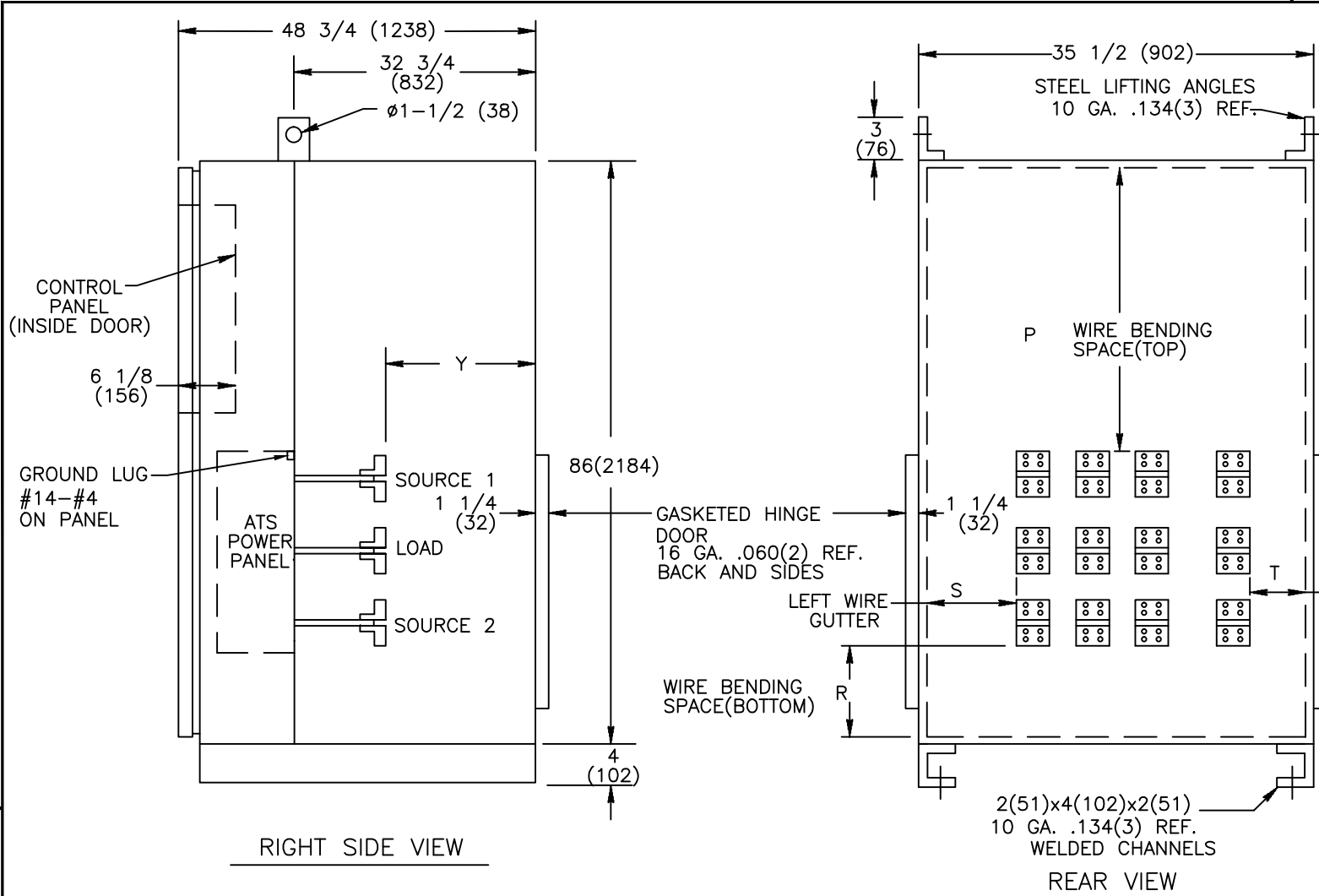


REVISIONS			
REV.	DESCRIPTION	DATE	APPROVED
1	C031728 REVISED DRAWING	08/16/17	YP MAS

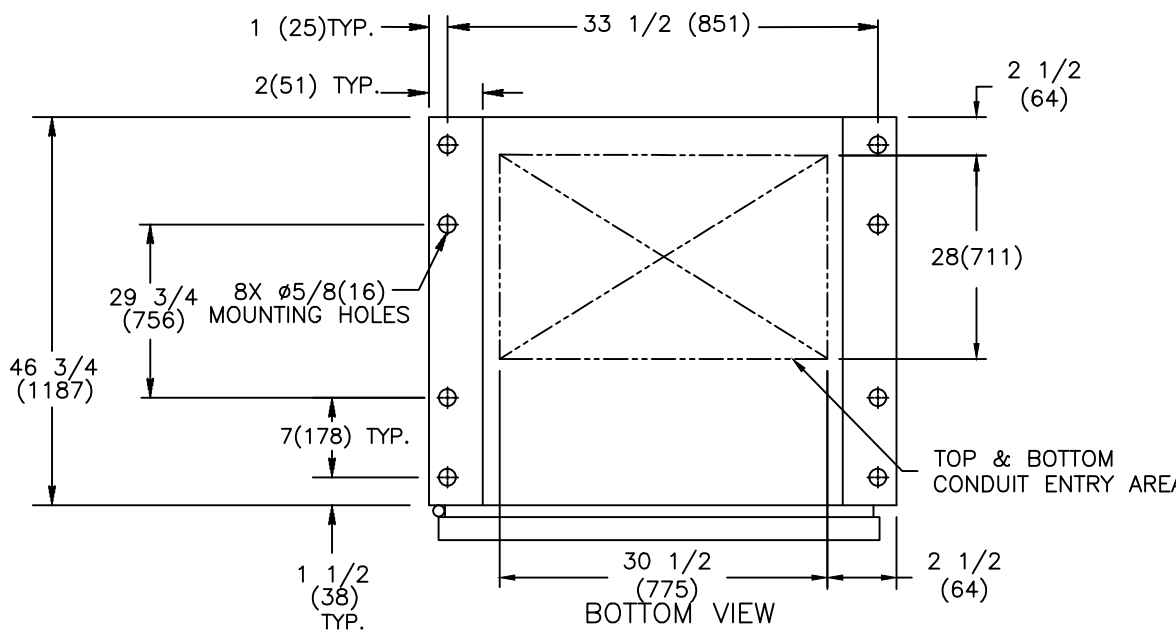
MODEL	CONTROLLER TYPE	NO. POLES	NEMA CABINET	LUG RANGE	WIRE BENDING SPACE		WIRE GUTTERS		CABINET REAR Y
					P(TOP)	R(BOTTOM)	S(LEFT)	T(RIGHT)	
ZTS(D/CT) 1600-2000 AMP	MX-250	3	F-1869MPX	(QTY 8) #2-600 MCM (33-304mm ²)	41 1/8 (1045)	20 1/8 (511)	5 3/4 (146)	17 1/4 (438)	23 5/8 (600)
		4					5 3/4 (146)		



NOTES:

1. MATERIAL: 10 GA. .134(3) 304 STAINLESS STEEL
2. FINISH: REFER O-4095 DRAWING
3. ALL CABLE ENTRY IN REAR OF CABINET.
4. WIRING BENDING AND GUTTER SPACES MEASURED AT POINT OF CONNECTION TO LUGS. LUGS ARE SUPPLIED AS OPTION ONLY.
5. ALL DIMENSIONS ARE FOR REFERENCE ONLY AND SHOWN IN INCHES(MILLIMETERS).
6. CONSTRUCTION PER UL 1008
7. FOR SEISMIC MOUNTING, REFER TO SHEET NO.2.
8. 100% RATED SOLID/SWITCH NEUTRAL PROVIDED PER THE SWITCH CONFIGURATION.
9. SUITABLE FOR TOP AND/OR BOTTOM CABLE ENTRY.
10. DOORS ARE AVAILABLE ON SIDE AND REAR FOR CABLE CONNECTIONS.

IMPORTANT NOTE:
LUGS ARE SUPPLIED AS OPTIONAL ACCESSORY ONLY. TYPICAL CONFIGURATION SHOWN FOR REFERENCE ONLY.



SIGNATURES		DATE
MODEL	SG	02/05/01
DETAIL		
CHECKED	SSK	10/03/00
ENGRG		
MFG		
QUALITY		
ISSUED		

GE Zenith Controls

TITLE: 1600-2000A ATS LAYOUT
NEMA 4X ENCLOSURE

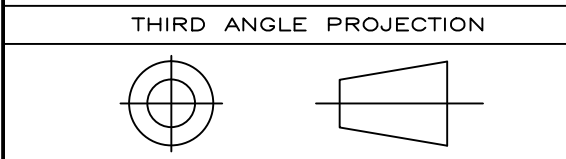
FIRST MADE FOR: FOR 1600-2000A ZTS(D)(CT) ATS

DRAWING FILE: 50c-1010-1.dwg
MODEL / ASSEMBLY FILE: ZTS(D/CT) 1600-2000 AMP

SIZE: B
CAGE CODE: DWG NO: 50C-1010

CTQs: CRITICAL TO QUALITY CHARACTERISTIC

SCALE: N/A
SHEET 1 OF 2



GE PROPRIETARY AND CONFIDENTIAL INFORMATION

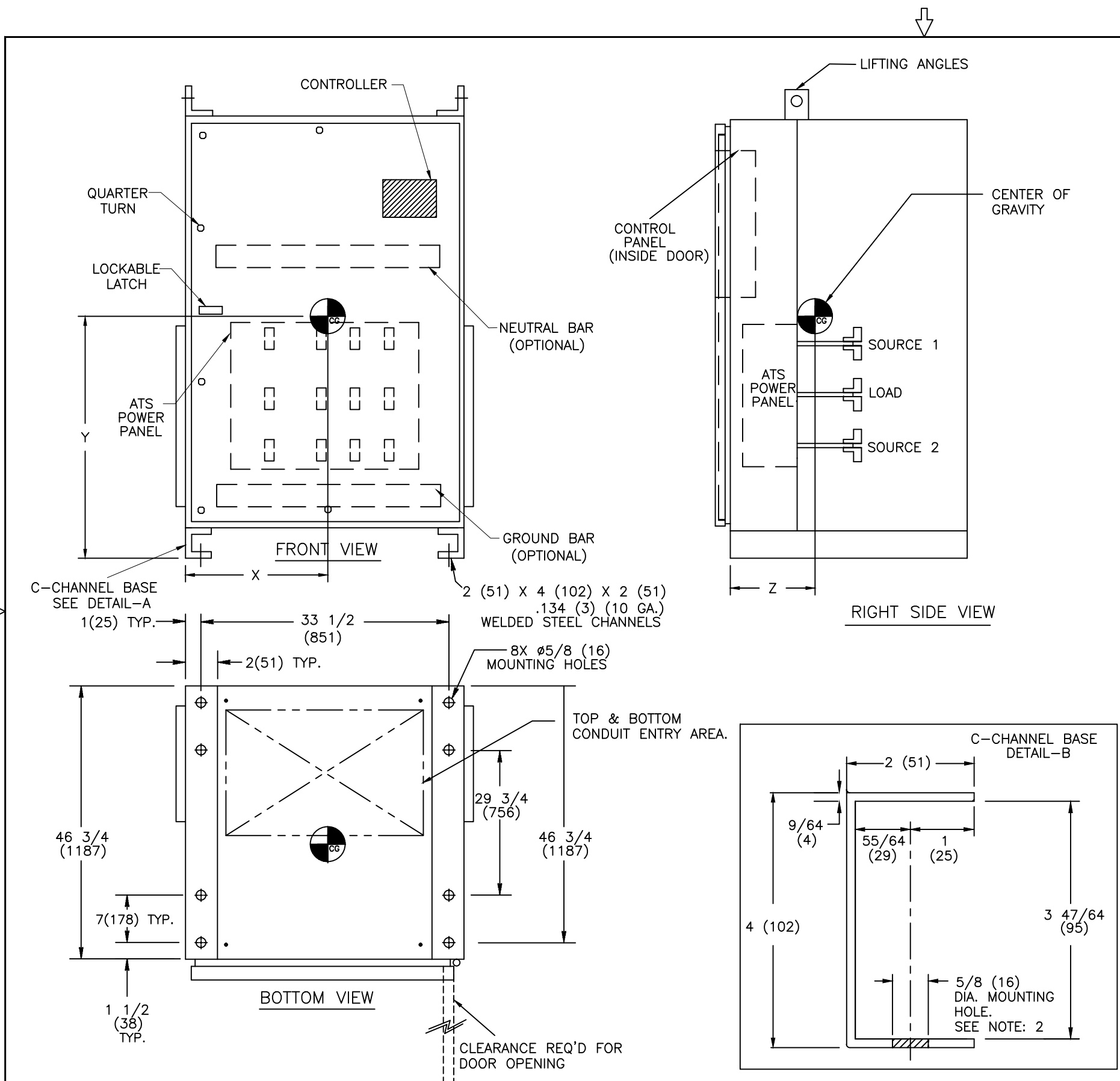
This document is the property of General Electric Company ("GE") and contains proprietary information of GE. This document is loaned on the express condition that neither it nor the information contained therein shall be disclosed to others without the express written consent of GE Industrial Systems, and that the information shall be used by the recipient only as approved expressly by GE Industrial Systems. This document shall be returned to GE upon its request. This document may be subject to certain restrictions under U.S. export control laws and regulations.

AutoCad Generated

REVISIONS			
REV.	DESCRIPTION	DATE	APPROVED
1	C031728 REVISED DRAWING	08/24/17	GG YP

NOTES:

- ALL DIMENSIONS ARE FOR REFERENCE ONLY AND SHOWN IN INCHES (MILLIMETERS).
- BOLT ENCLOSURE FROM C-CHANNEL BASE (SEE DETAIL B) USING THE FOLLOWING SEISMIC CERTIFIED MOUNTING HARDWARE PER MOUNTING HOLE:
(HARDWARE PROVIDED BY INSTALLER).
* 1/2-13 GRADE 5 BOLT TORQUE TO 70 FT-LBS. (95 NEWTON METERS).
* 1/2-13 STANDARD FLAT WASHER
* 1/2 (13) HELICAL SPRING LOCK WASHER.
- CENTER OF GRAVITY DIMENSIONS ARE FOR REFERENCE ONLY.
- FOR WORKING CLEARANCE REFER TO NATIONAL AND LOCAL CODES AND STANDARDS.



AMP	POLE	WEIGHT	CENTER OF GRAVITY in(mm)		
		LB(kg)	X	Y	Z
1600-2000	3	1080(490)	18.0 (457)	40.0 (1016)	14.0 (356)
	4	1230(558)			

SIGNATURES	DATE
MODEL SG	01/15/08
DETAIL	
CHECKED SSK	01/15/08
ENGRG	
MFG	
QUALITY	
ISSUED	

GE Zenith Controls

TITLE: 1600-2000A NEMA 4X ENCL. SEISMIC MOUNTING DETAILS

FIRST MADE FOR: ZTS(D/CT) 1600-2000 AMP NEMA -4X

DRAWING FILE: 50c-1010-1.dwg. SIZE B CAGE CODE DWG NO 50-1010

MODEL / ASSEMBLY FILE: ZTS(D/CT) 1600-2000 AMP

CTQS CRITICAL TO QUALITY CHARACTERISTIC SCALE: N/A SHEET 2 OF 2

THIRD ANGLE PROJECTION

GE PROPRIETARY AND CONFIDENTIAL INFORMATION

This document is the property of General Electric Company ("GE") and contains proprietary information of GE. This document is loaned on the express condition that neither it nor the information contained therein shall be disclosed to others without the express written consent of GE Industrial Systems, and that the information shall be used by the recipient only as approved expressly by GE Industrial Systems. This document shall be returned to GE upon its request. This document may be subject to certain restrictions under U.S. export control laws and regulations.

AutoCad Generated