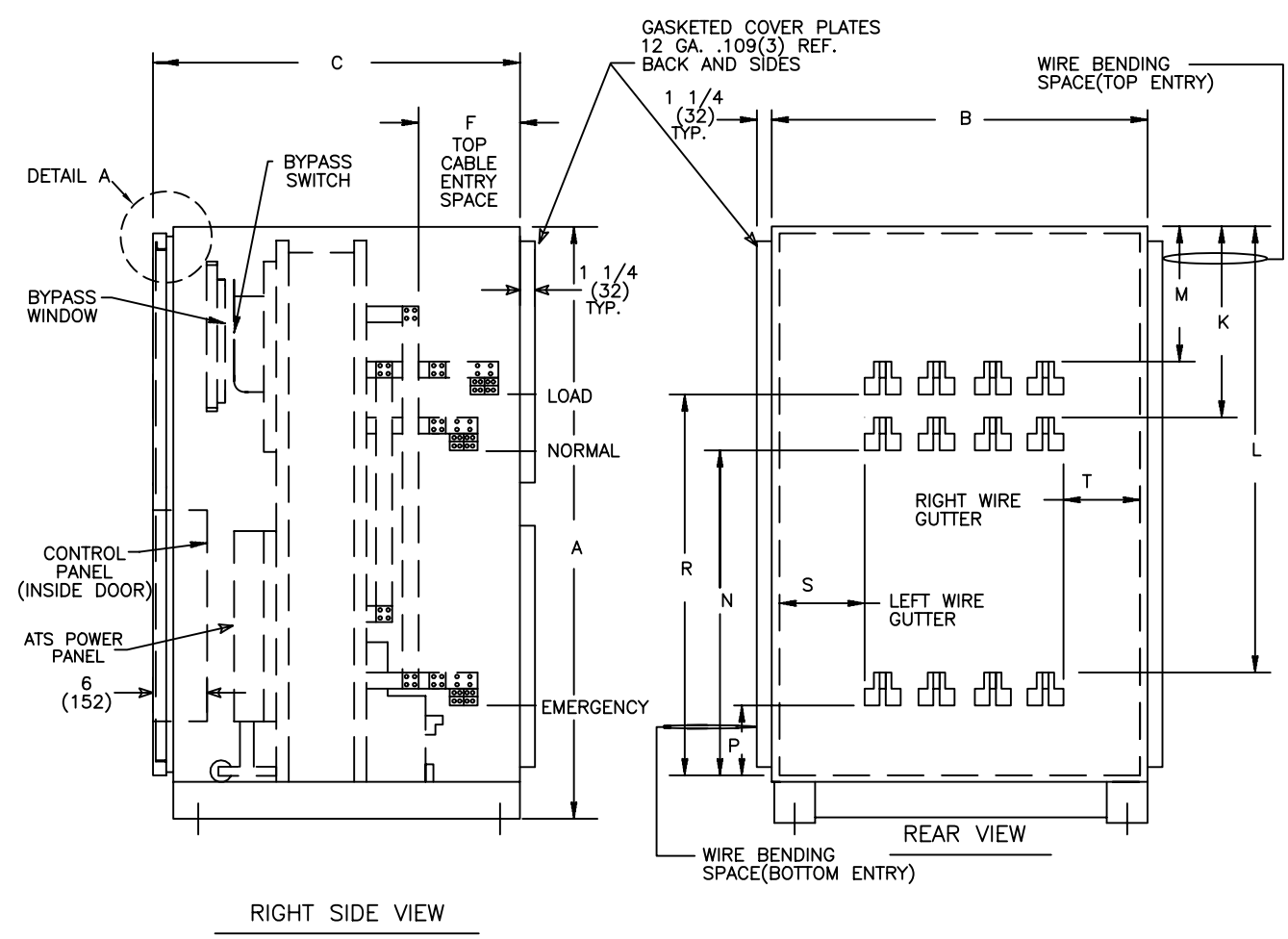


REVISIONS			
REV.	DESCRIPTION	DATE	APPROVED
D	S-8039 REVISED DRAWING	3/23/04	DV BL

ZBTS(D/CT) SWITCHES	NO. POLES	CONTRLR. TYPE	CABINET	LUG RANGE	WIRE BENDING SPACE						WIRE GUTTERS	
					TOP ENTRY			BOTTOM ENTRY			S(LEFT)	T(RIGHT)
1600-2000 AMP	2,3	MX-250	F-1355MP	(QTY 8) #2-600 MCM (33-304mm <sup>2</sup> )	27 3/4 (705)	64 3/4 (1645)	17 11/32 (441)	52 3/4 (1340)	15 3/4 (400)	63 5/32 (1604)	11 3/4 (298)	15 1/8 (384)
	4		F-1357MP									12 (305)
3000 AMP	2,3		F-1356MP	(QTY 8) #2-600 MCM (33-304mm <sup>2</sup> )	28 3/4 (730)	65 3/4 (1670)	18 11/32 (466)	51 3/4 (1314)	14 3/4 (375)	62 5/32 (1579)	11 3/4 (298)	15 1/8 (384)
	4		F-1358MP									12 (305)



CABINET DIMENSIONS						
CABINET #	A	B	C	D	E	F
F-1355MP	90 (2286)	41 1/4 (1048)	61 3/4 (1568)	26 (660)	21 (533)	14 (356)
F-1357MP	90 (2286)	51 1/4 (1302)	61 3/4 (1568)	36 (914)	21 (533)	14 (356)
F-1356MP	90 (2286)	41 1/4 (1048)	73 3/4 (1873)	26 (660)	33 (838)	21 (533)
F-1358MP	90 (2286)	51 1/4 (1302)	73 3/4 (1873)	36 (914)	33 (838)	21 (533)

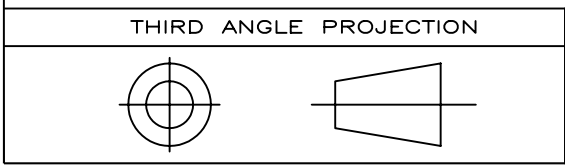
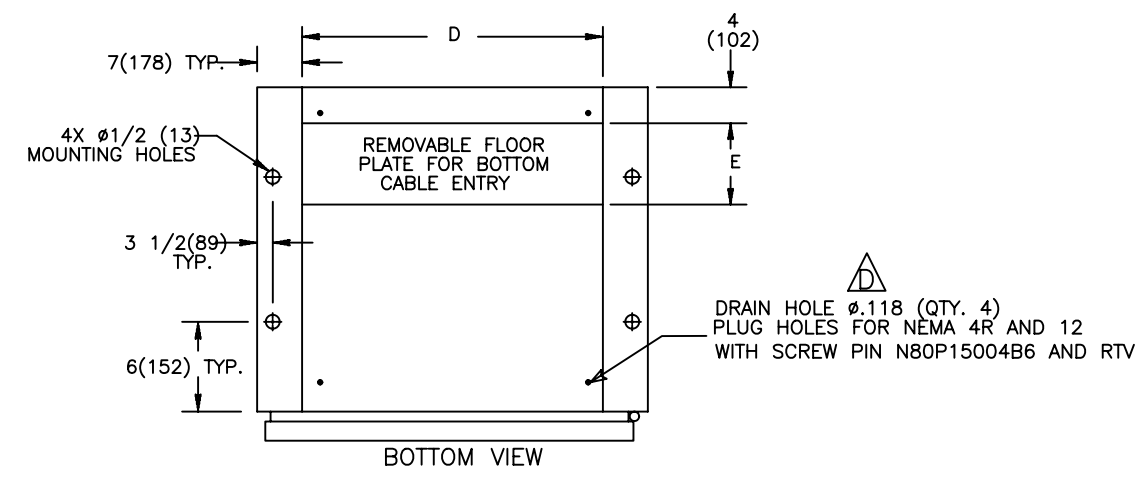
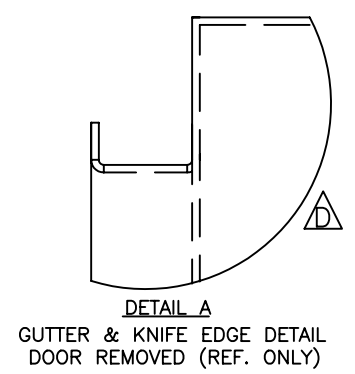
**NOTES:**

- MATERIAL: 10 GA. STEEL .134(3) REF. UNLESS OTHERWISE NOTED.
- FINISH: PER F-7000.
- ALL CABLE ENTRY IN REAR OF CABINET. NO CABLE ENTRY IN FRONT OF CABINET.
- WIRING BENDING AND GUTTER SPACES MEASURED AT POINT OF CONNECTION TO LUGS.
- LUGS SHOWN FOR BOTTOM CABLE ENTRY. MAY BE REVERSED FOR TOP ENTRY CABLE ENTRY. LUGS ARE SUPPLIED AS OPTION ONLY.
- ALL DIMENSIONS ARE FOR REFERENCE ONLY AND SHOWN IN INCHES(MILLIMETERS).
- ALL HANDLING AND MOVEMENT OF CABINET MUST BE DONE IN THE UPRIGHT POSITION ONLY.
- ALL SIDE AND REAR DOOR/PANELS SHALL HAVE GUTTER AND KNIFE EDGE FLANGES, AND HAVE HINGES ON THE RIGHT HAND SIDE.
- CONSTRUCTION PER UL 1008

**IMPORTANT NOTE:**

LUGS ARE SUPPLIED AS OPTIONAL ACCESSORY ONLY. TYPICAL CONFIGURATION SHOWN FOR REFERENCE ONLY.

ON 3000 AMP SWITCH LUGS ARE ORIENTED VERTICALLY



GE PROPRIETARY AND CONFIDENTIAL INFORMATION

This document is the property of General Electric Company ("GE") and contains proprietary information of GE. This document is loaned on the express condition that neither it nor the information contained therein shall be disclosed to others without the express written consent of GE Industrial Systems, and that the information shall be used by the recipient only as approved expressly by GE Industrial Systems. This document shall be returned to GE upon its request. This document may be subject to certain restrictions under U.S. export control laws and regulations.

AutoCad Generated	# CTQs	⊖ CRITICAL TO QUALITY CHARACTERISTIC	SCALE: N/A	SHEET 1 OF 1
-------------------	--------	--------------------------------------	------------	--------------

SIGNATURES		DATE	<b>GE Zenith Controls</b>
MODEL	SG	01/31/97	
DETAIL			
CHECKED			
ENGRG			
MFG			TITLE
QUALITY			TRANSFER SWITCHES NEMA 3R,4,12 ENCL.
ISSUED			FIRST MADE FOR:
DRAWING FILE:	50c-1017-d-1.dwg	SIZE	CAGE CODE
MODEL / ASSEMBLY FILE:	ZBTS(D/CT) 1600-3000 AMP	B	DWG NO
			50C-1017