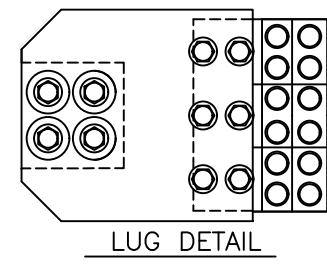
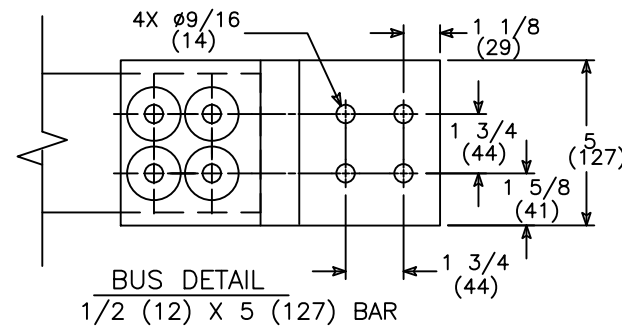
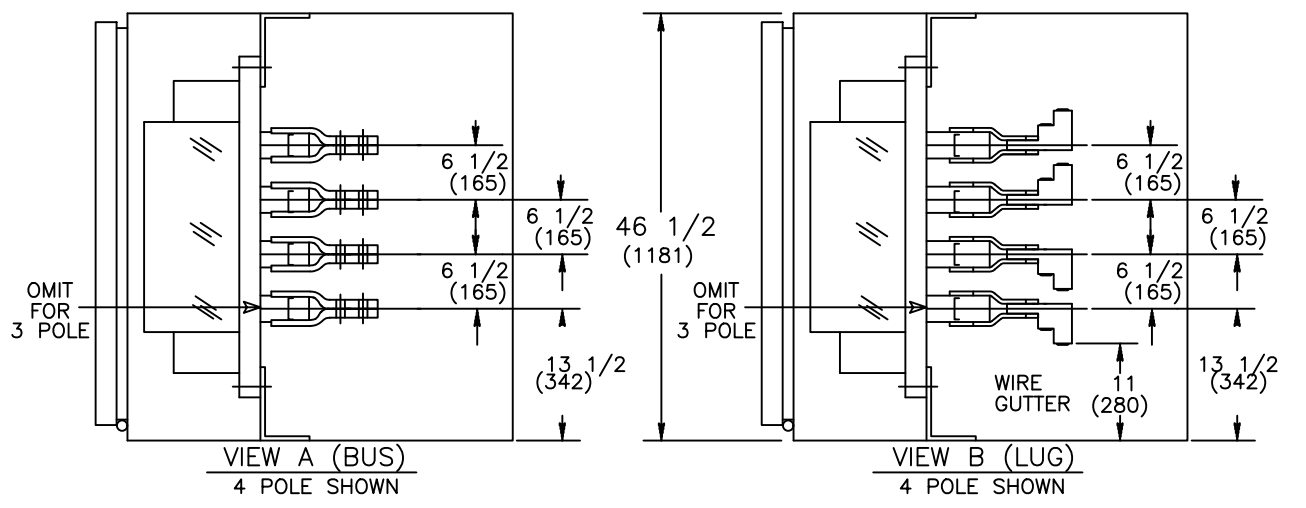


REVISIONS			
REV.	DESCRIPTION	DATE	APPROVED
2	C077003	09/23/19	AR MAS

MODEL	AMPERAGE	NEMA CABINET	POLES
ZTS(D/CT)	4000 AMP	F-1865MPL	3,4



IMPORTANT NOTE:
LUGS ARE SUPPLIED AS OPTIONAL ACCESSORY ONLY. SHOWN FOR REFERENCE ONLY.

NOTES:

1. MATERIAL: 10 GA. .134(3) 1018 HRS REF.
2. FINISH: ANSI 61 GREY
3. ALL CABLE ENTRY IN REAR OF CABINET.
4. WIRING BENDING AND GUTTER SPACES MEASURED AT POINT OF CONNECTION TO LUGS. LUGS ARE SUPPLIED AS OPTION ONLY.
5. ALL DIMENSIONS ARE FOR REFERENCE ONLY AND SHOWN IN INCHES(MILLIMETERS).
6. CONSTRUCTION PER UL 1008
7. FOR SEISMIC MOUNTING, REFER TO SHEET NO.4.
8. 100% RATED SOLID/SWITCH NEUTRAL PROVIDED PER THE SWITCH CONFIGURATION.
9. CABINET HAS LOUVERS. AND LOUVERS ARE LOCATED ON SIDES AND REAR WALL OF THE CABINET.
10. SUITABLE FOR TOP AND/OR BOTTOM CABLE ENTRY.
11. SIDES AND REAR SKINS ARE REMOVABLE FOR CABLE CONNECTIONS.

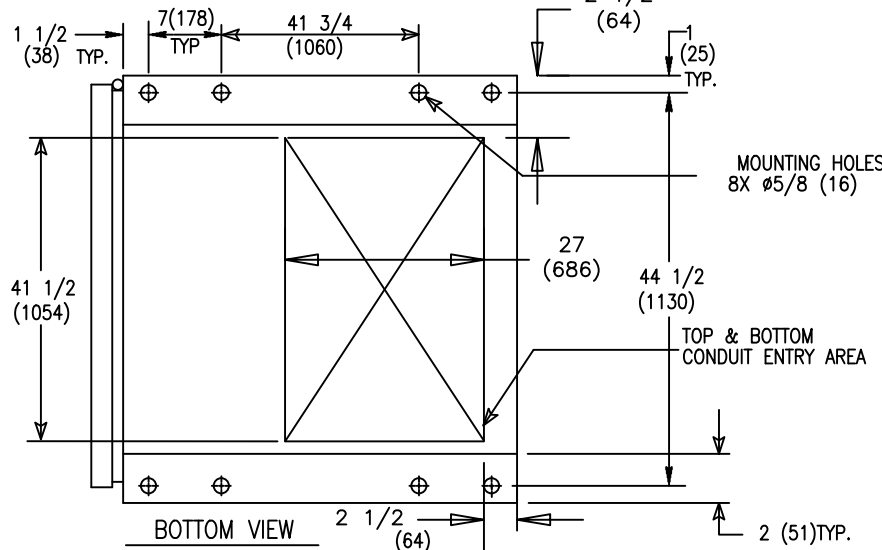
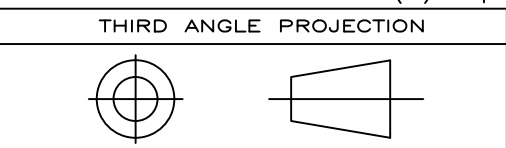
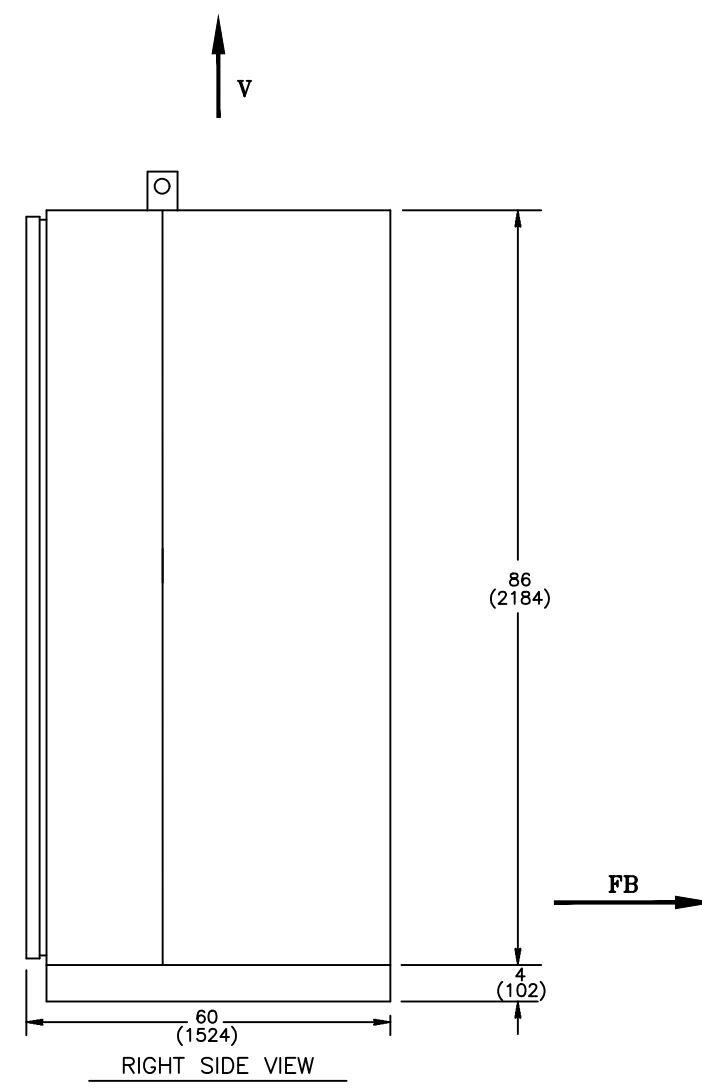
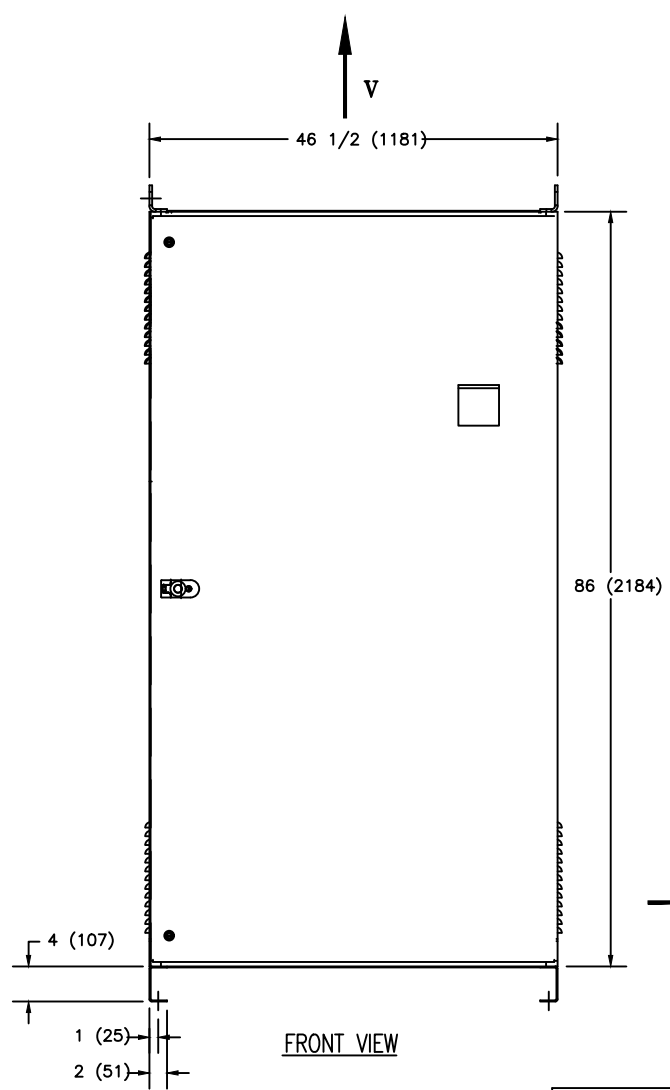


ABB PROPRIETARY AND CONFIDENTIAL INFORMATION
The information contained in the document has to be kept strictly confidential. Any unauthorized use, reproduction, distribution or disclosure to third parties is strictly forbidden. ABB reserves all rights regarding intellectual Property Rights. Copyright 2018 ABB. All rights reserved

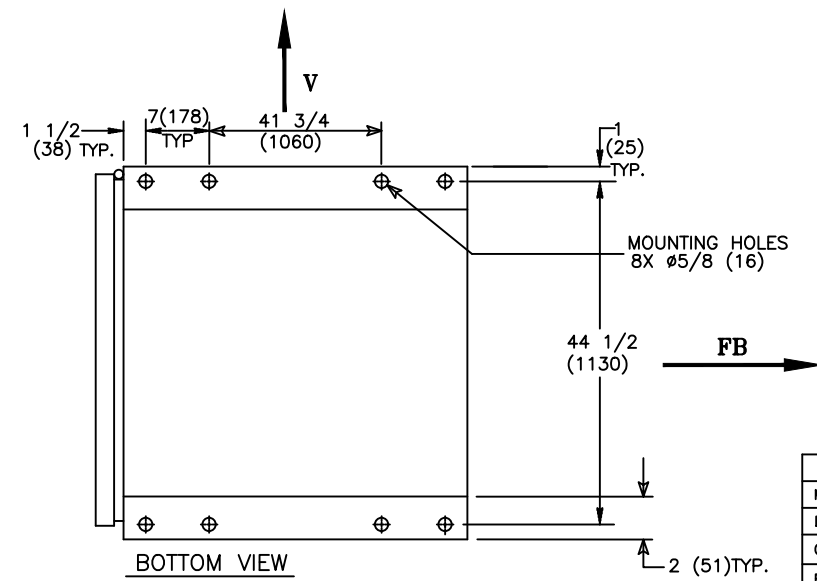
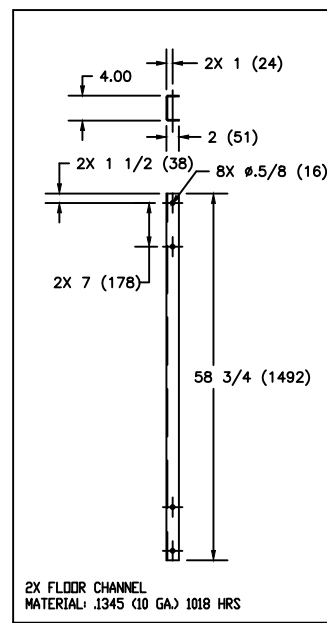
SIGNATURES		DATE	TITLE				
MODEL	SG	02/05/01	<div style="text-align: center;">ABB</div> 4000A ATS LAYOUT NEMA 1 ENCLOSURE				
DETAIL							
CHECKED							
ENGRG							
MFG							
QUALITY			FIRST MADE FOR: ZTS(D/CT) 4000 AMP	SIZE	CAGE CODE	DWG NO	
ISSUED				B		50C-1018	
DRAWING FILE:	50c-1018.dwg		SCALE:	N/A		SHEET	1 OF 4
MODEL / ASSEMBLY FILE:	ZTS(D/CT) 4000 AMP		# CTQs	CRITICAL TO QUALITY CHARACTERISTIC			



AutoCad Generated



NOTE:
1. FOR SEISMIC MOUNTING, REFER TO SHEET NO. 4



SIGNATURES		DATE
MODEL	CEE	12-18-06
DETAIL		
CHECKED		
ENGRG		
MFG		
QUALITY		
ISSUED		
DRAWING FILE:	50c-1018.dwg	
MODEL / ASSEMBLY FILE:	ZTS(D/CT) 4000 AMP	
# CTQs	⊖	CRITICAL TO QUALITY CHARACTERISTIC

ABB		
TITLE CABINET 65L (ZTS-4000A) ORTHOGONAL DIRECTION DRAWING		
FIRST MADE FOR: RESONANCE SEARCH		
SIZE	CAGE CODE	DWG NO
B		50C-1018
SCALE:	N/A	SHEET 2 OF 4

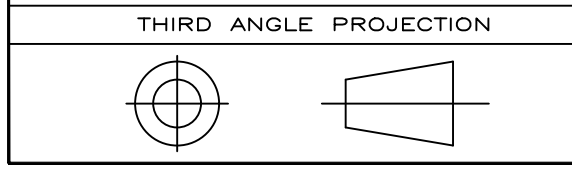
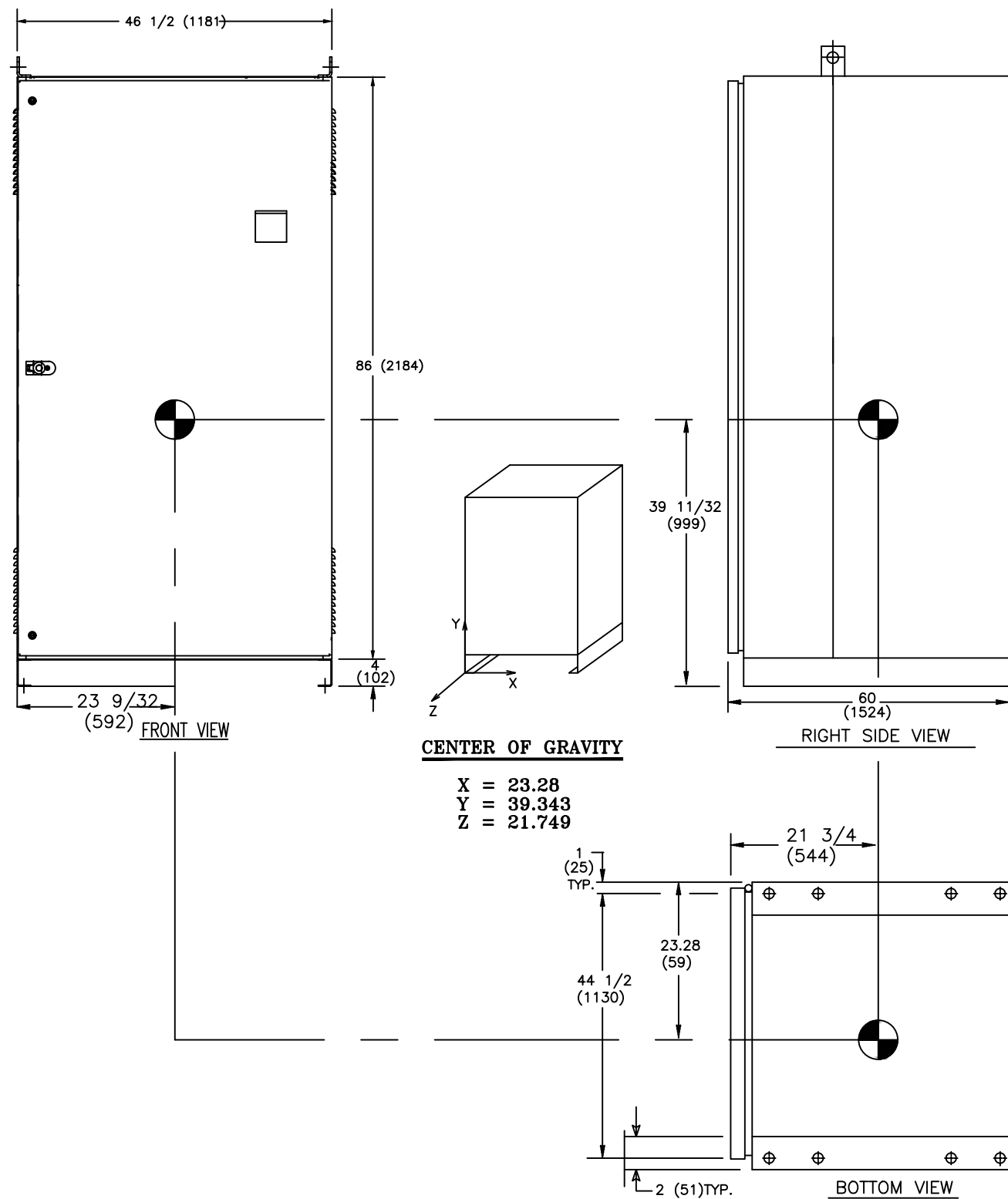


ABB PROPRIETARY AND CONFIDENTIAL INFORMATION
The information contained in the document has to be kept strictly confidential. Any unauthorized use, reproduction, distribution or disclosure to third parties is strictly forbidden. ABB reserves all rights regarding intellectual Property Rights. Copyright 2018 ABB. All rights reserved

AutoCad Generated



NOTE:

1. FOR SEISMIC MOUNTING, REFER TO SHEET NO.4

CENTER OF GRAVITY

X = 23.28
Y = 39.343
Z = 21.749

SIGNATURES		DATE	ABB		
MODEL	CEE	12-18-06			TITLE CABINET 65L (ZTS-4000A) CENTER OF GRAVITY
DETAIL					
CHECKED			FIRST MADE FOR: ZTS(D/CT) 4000A		
ENGRG	CEE	12-18-06			
MFG			SIZE	CAGE CODE	DWG NO
QUALITY			B		50C-1018
ISSUED			SCALE: N/A		
DRAWING FILE:	50c-1018.dwg		# CTQs	⊖ CRITICAL TO QUALITY CHARACTERISTIC	SHEET 3 OF 4
MODEL / ASSEMBLY FILE:	ZTS(D/CT) 4000 AMP				

THIRD ANGLE PROJECTION

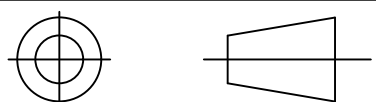
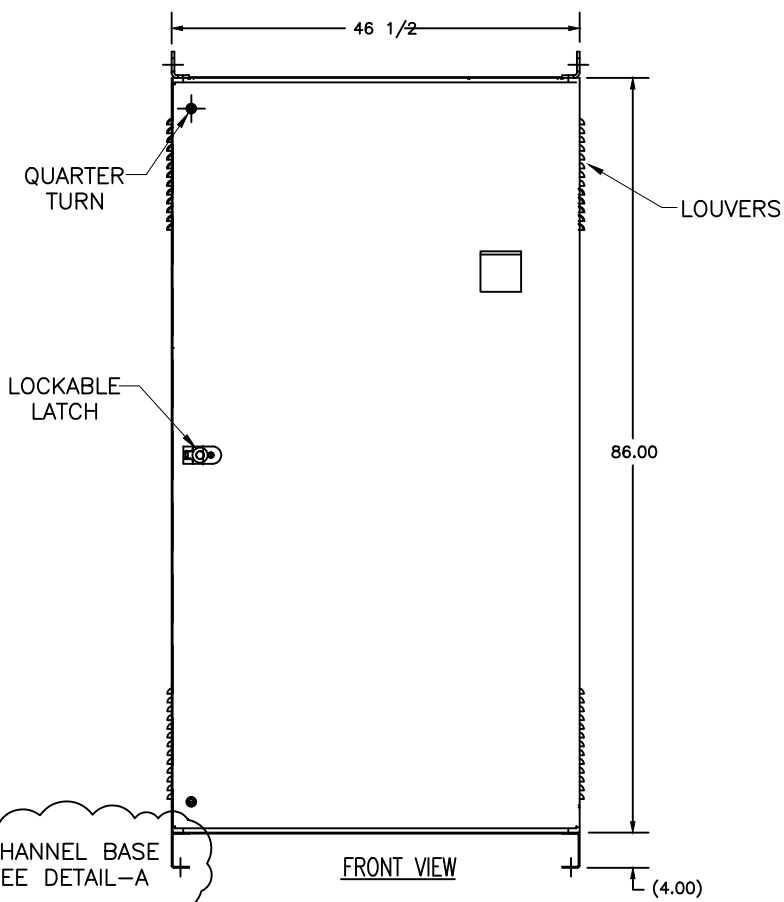


ABB PROPRIETARY AND CONFIDENTIAL INFORMATION

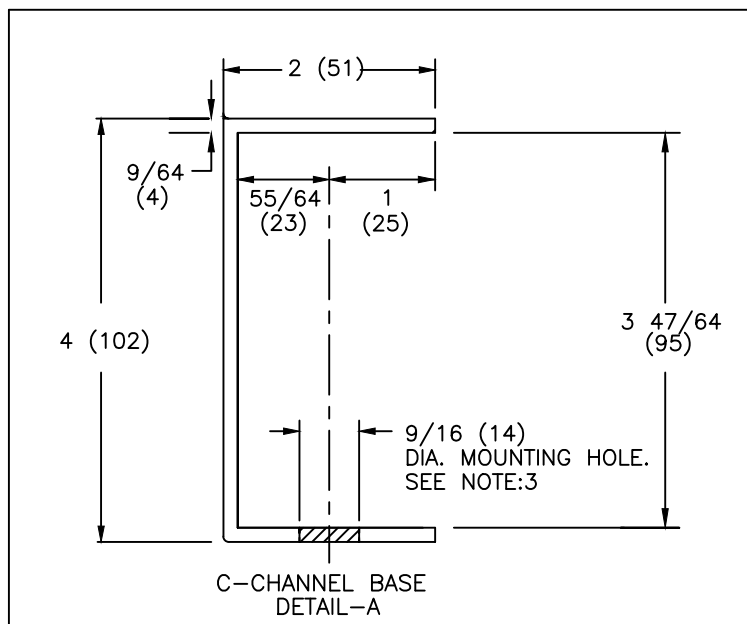
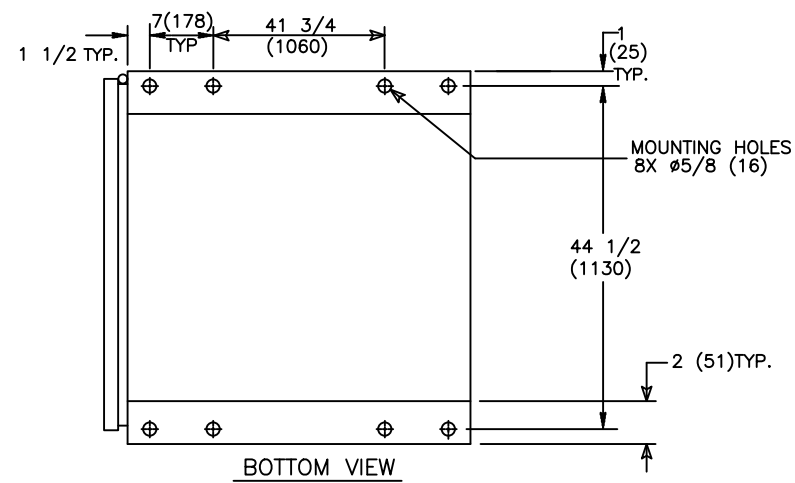
The information contained in the document has to be kept strictly confidential. Any unauthorized use, reproduction, distribution or disclosure to third parties is strictly forbidden. ABB reserves all rights regarding intellectual Property Rights. Copyright 2018 ABB. All rights reserved

AutoCad Generated



NOTES:

1. ALL DIMENSIONS ARE FOR REFERENCE ONLY AND SHOWN IN INCHES (MILLIMETERS).
2. BOLT ENCLOSURE FROM C-CHANNEL BASE (SEE DETAIL B) USING THE FOLLOWING SEISMIC CERTIFIED MOUNTING HARDWARE PER MOUNTING HOLE:
(HARDWARE PROVIDED BY INSTALLER).
 - * 1/2-13 GRADE 5 BOLT TORQUE TO 70 FT-LBS. (95 NEWTON METERS).
 - * 1/2-13 STANDARD FLAT WASHER
 - * 1/2 (13) HELICAL SPRING LOCK WASHER.
3. CENTER OF GRAVITY DIMENSIONS ARE FOR REFERENCE ONLY.
4. FOR WORKING CLEARANCE REFER TO NATIONAL AND LOCAL CODES AND STANDARDS.



AMP	POLE	WEIGHT
		LB(kg)
4000	3	1595(723)
	4	1850(839)

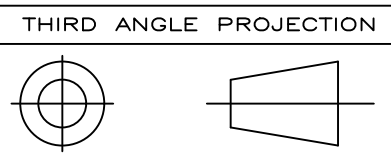



ABB PROPRIETARY AND CONFIDENTIAL INFORMATION
 The information contained in the document has to be kept strictly confidential.
 Any unauthorized use, reproduction, distribution or disclosure to third parties is strictly forbidden.
 ABB reserves all rights regarding intellectual Property Rights.
 Copyright 2018 ABB. All rights reserved

SIGNATURES		DATE		 NEMA 1 ENCLOSURE SEISMIC MTG. DETAIL	
MODEL CEE		12-18-06			
DETAIL					
CHECKED					
ENGRG					
MFG				TITLE	
QUALITY				FIRST MADE FOR: ZTS(D/CT) 4000A	
ISSUED				SIZE	CAGE CODE
DRAWING FILE: 50c-1018.dwg		B		DWG NO	
MODEL / ASSEMBLY FILE: ZTS(D/CT) 4000 AMP		50C-1018			
AutoCad Generated		# CTQs	⊖	CRITICAL TO QUALITY CHARACTERISTIC	SCALE: N/A
				SHEET 4 OF 4	