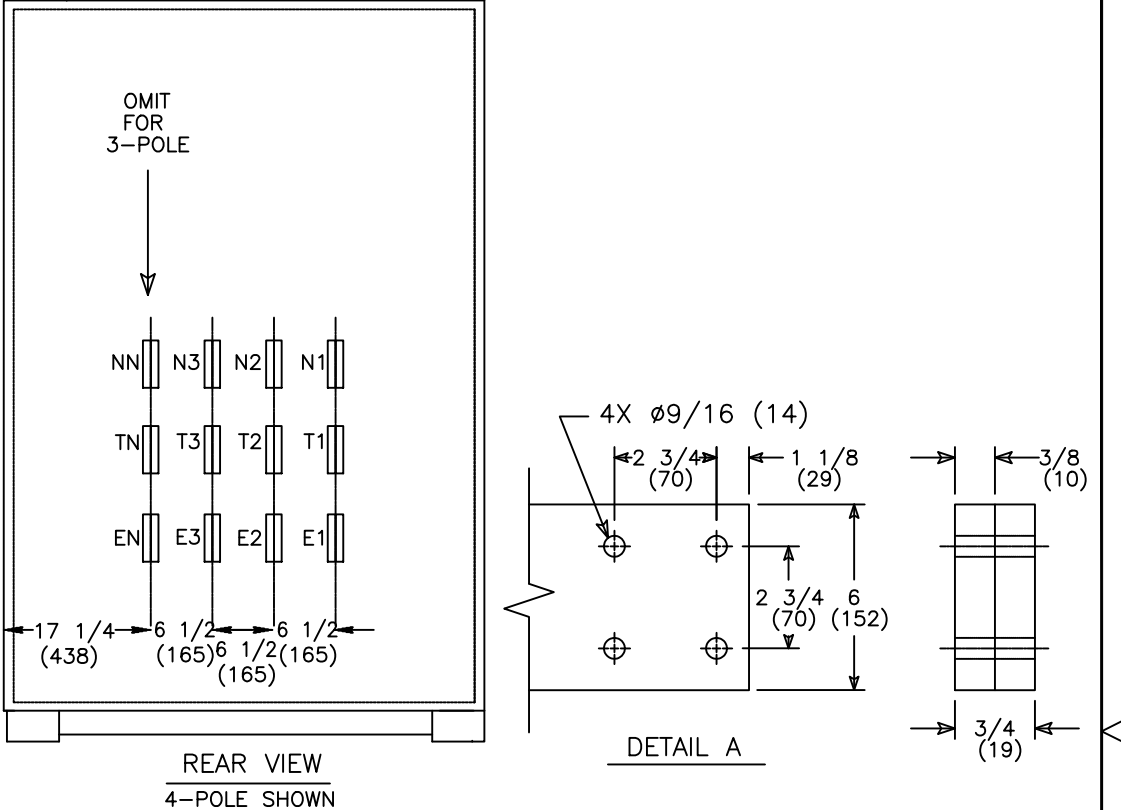
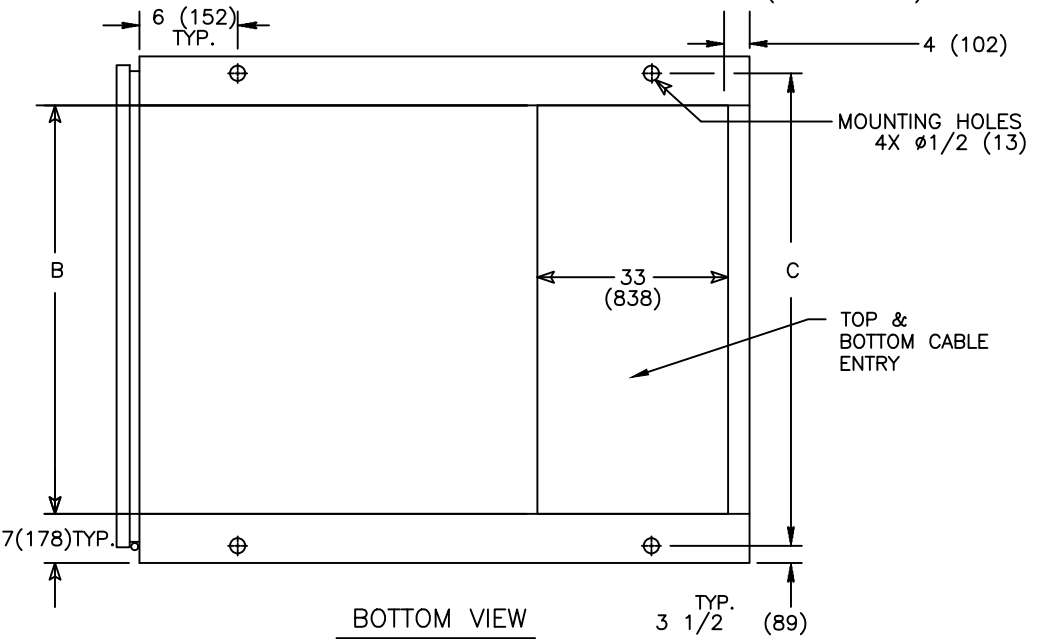


REVISIONS			
REV.	DESCRIPTION	DATE	APPROVED
2	C077003 UPDATED REBRANDING	09/23/19	AR MAS



NOTES:

1. MATERIAL: 10 GA. STEEL .134 REF. UNLESS OTHERWISE NOTED.
2. FINISH: ANSI 61 GRAY
3. ALL DIMENSIONS ARE FOR REFERENCE ONLY AND SHOWN IN INCHES(MILLIMETERS).
4. ALL HANDLING AND MOVEMENT OF CABINET MUST BE DONE IN THE UPRIGHT POSITION ONLY.
5. CONSTRUCTION PER UL 1008
6. MECHANICAL AND COMPRESSION LUGS ARE AVAILABLE AS AN OPTION.
7. 100% RATED SOLID/SWITCH NEUTRAL PROVIDED PER THE SWITCH CONFIGURATION.
8. REFER PAGE 5 FOR SEISMIC MOUNTING DETAILS.
9. REFER LUG TORQUE LABEL FOR TORQUE INFORMATION.
10. REAR CONNECT DESIGN. REQUIRED REAR OR BOTH SIDE ACCESS FOR CABLE CONNECTION



ZBTS(D/CT)	SCHEDULE				
	CABINET	POLES	A	B	C
4000 AMP	F-1958MP	3	47 1/2 (1206)	33 1/2 (851)	40 1/2 (1029)
	F-1959MP	4	54 (1372)	40 (1016)	47 (1194)

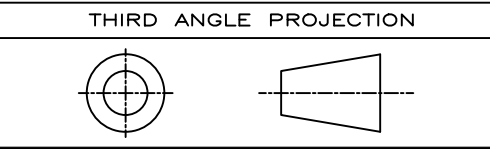
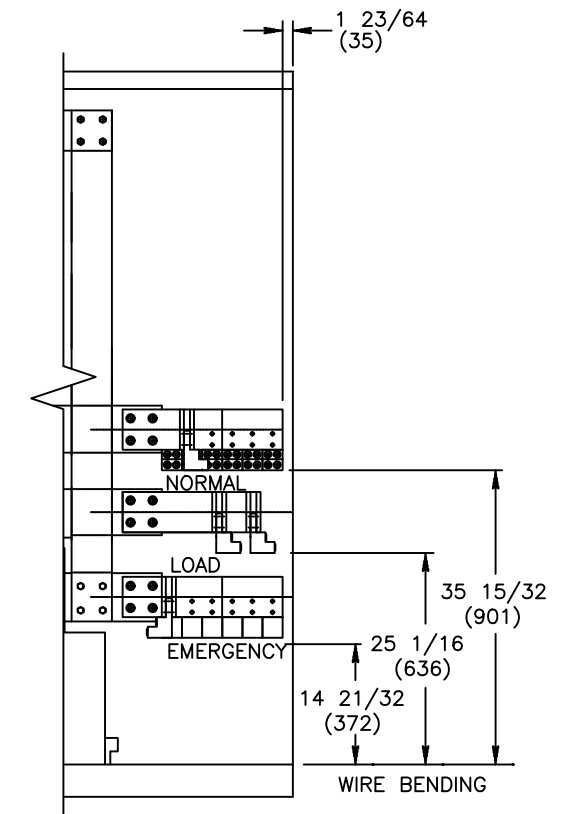
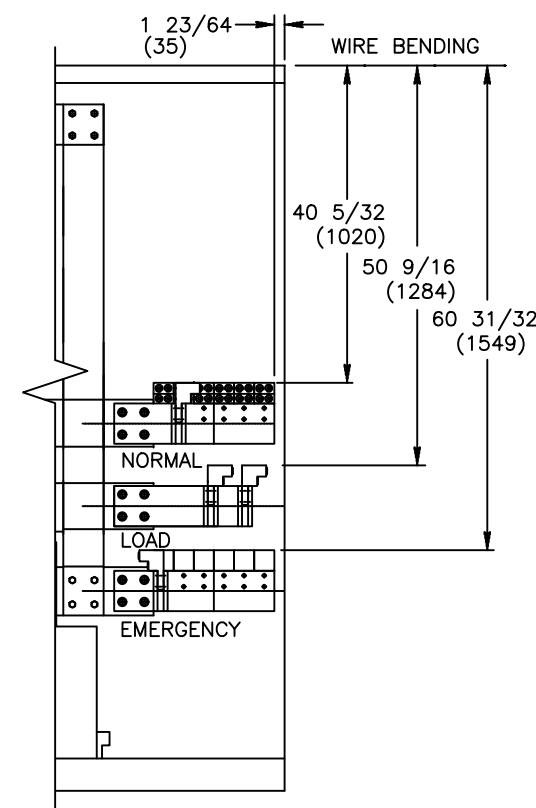
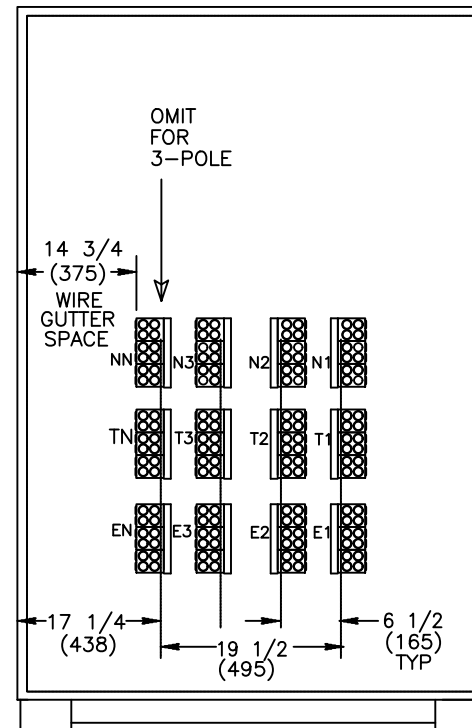
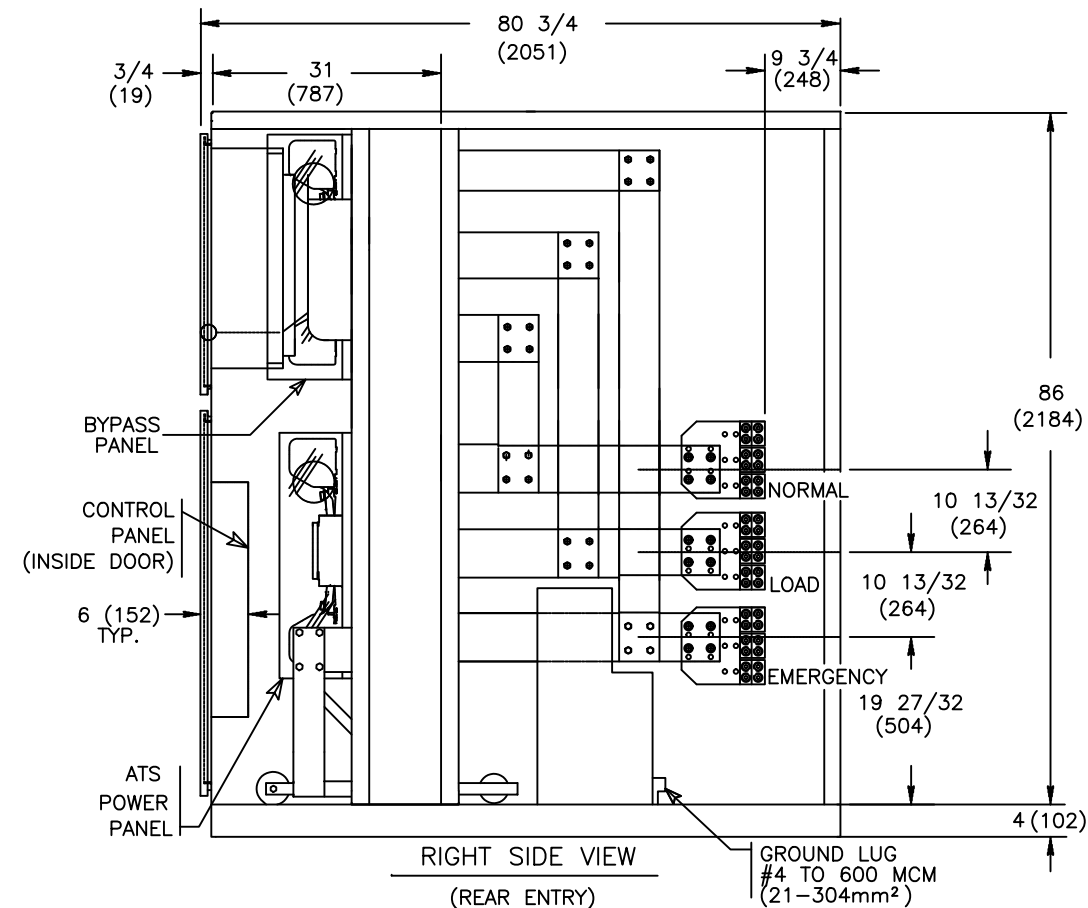


ABB PROPRIETARY AND CONFIDENTIAL INFORMATION
 The information contained in the document has to be kept strictly confidential. Any unauthorized use, reproduction, distribution or disclosure to third parties is strictly forbidden. ABB reserves all rights regarding intellectual Property Rights. Copyright 2018 ABB. All rights reserved

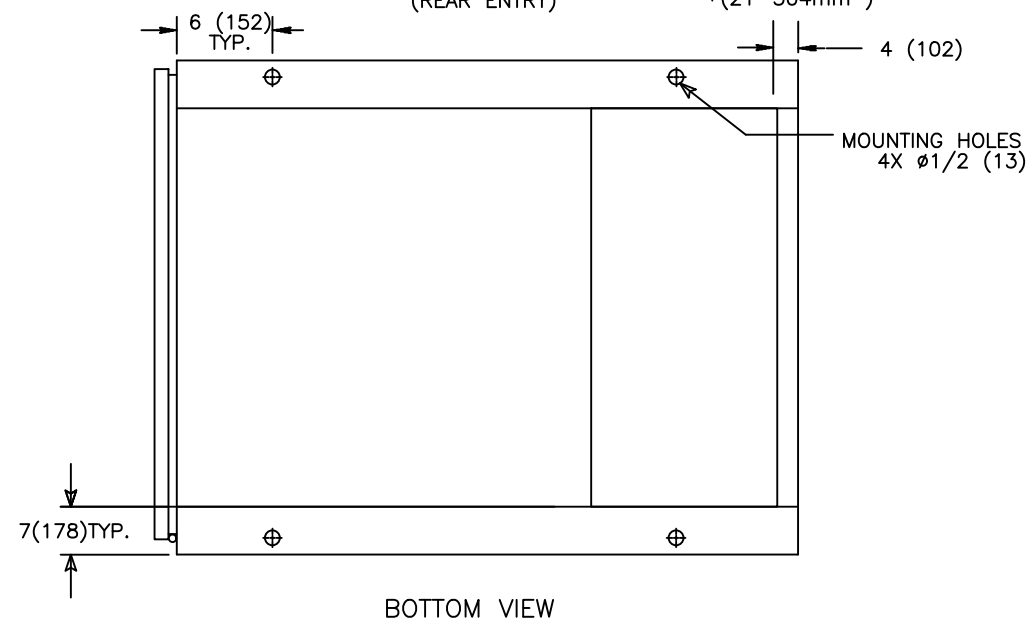
SIGNATURES		DATE	<p>NEMA 1 ENCLOSURE REAR BUS</p>
MODEL	AMG	04/24/97	
DETAIL			
CHECKED			
ENGRG			
MFG			
QUALITY			TITLE
ISSUED			FIRST MADE FOR: FOR ZBTS(D)(CT) 4000A
DRAWING FILE:	50C-1019.dwg	SIZE	CAGE CODE
MODEL / ASSEMBLY FILE:	ZBTS(D/CT) 4000 AMP	B	DWG NO
# CTQs	⊖ CRITICAL TO QUALITY CHARACTERISTIC	50C-1019	
AutoCad Generated		SCALE: N/A	SHEET 1 OF 5



IMPORTANT NOTE:
LUGS ARE SUPPLIED AS OPTIONAL ACCESSORY ONLY.
SHOWN AS REFERENCE ONLY.

NOTE:

- FOR SEISMIC MOUNTING, REFER TO SHEET NO. 5



SIGNATURES		DATE
MODEL	AMG	04/24/97
DETAIL		
CHECKED		
ENGRG		
MFG		
QUALITY		
ISSUED		
DRAWING FILE: 50C-1019.dwg		SIZE
MODEL / ASSEMBLY FILE: ZBTS(D/CT) 4000 AMP		B
# CTQs	⊖	CRITICAL TO QUALITY CHARACTERISTIC

TITLE		
ABB		
NEMA 1 ENCLOSURE REAR LUGS		
FIRST MADE FOR: FOR ZBTS(D/CT) 4000 AMP		
SIZE	CAGE CODE	DWG NO
B		50C-1019
SCALE: N/A		SHEET 2 OF 5

THIRD ANGLE PROJECTION

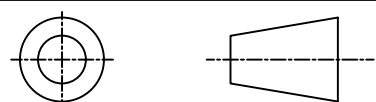
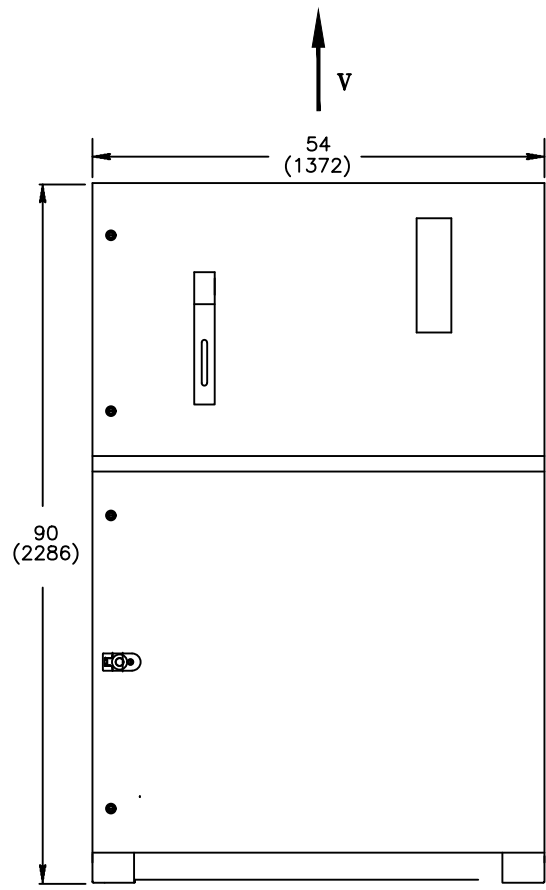


ABB PROPRIETARY AND CONFIDENTIAL INFORMATION

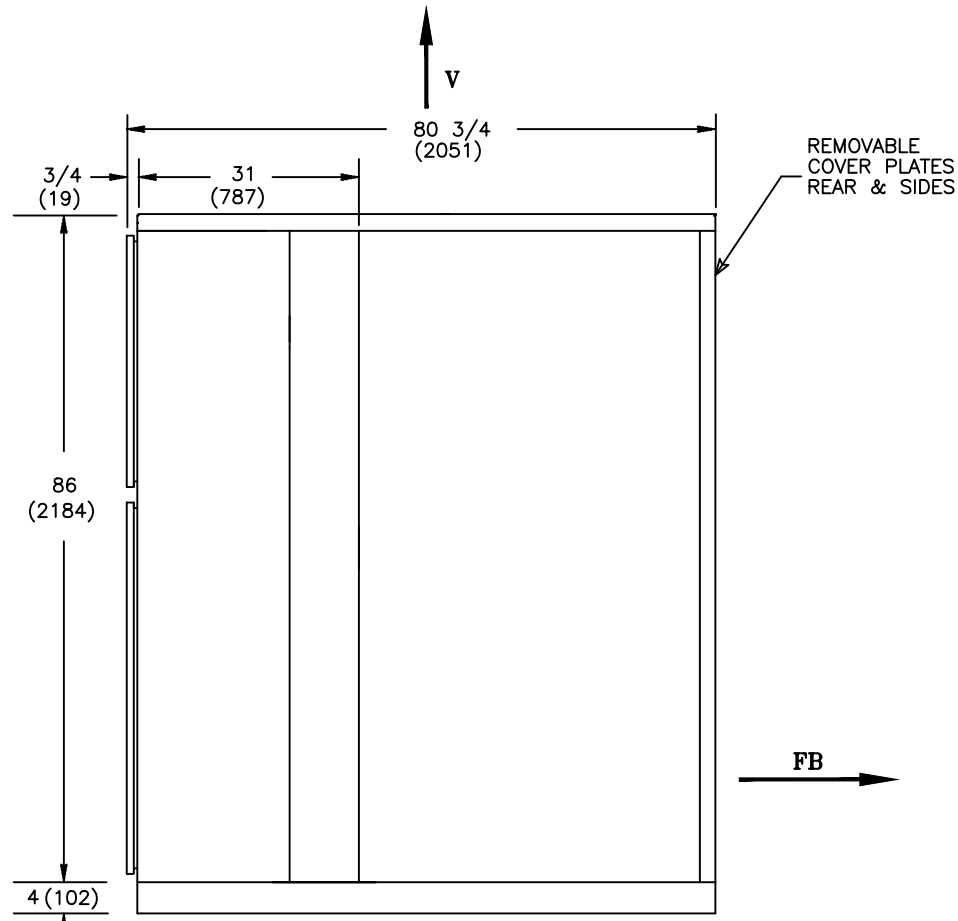
The information contained in the document has to be kept strictly confidential.
Any unauthorized use, reproduction, distribution or disclosure to third parties is strictly forbidden.
ABB reserves all rights regarding intellectual Property Rights.
Copyright 2018 ABB. All rights reserved

AutoCad Generated



FRONT VIEW

SS →

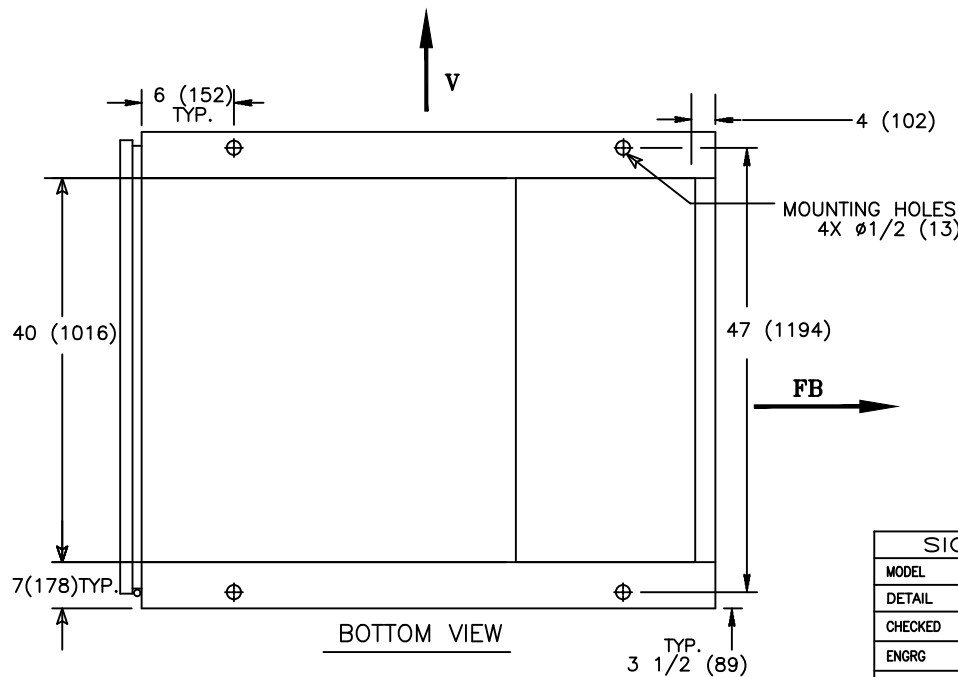


RIGHT SIDE VIEW

FB →

NOTE:

1. FOR SEISMIC MOUNTING, REFER TO SHEET NO.5



BOTTOM VIEW

FB →

SIGNATURES		DATE
MODEL	AMG	04/24/97
DETAIL		
CHECKED		
ENGRG		
MFG		
QUALITY		
ISSUED		
DRAWING FILE:	50C-1019.dwg	
MODEL / ASSEMBLY FILE:	ZBTS(D/CT) 4000 AMP	
# CTQs	⊖ CRITICAL TO QUALITY CHARACTERISTIC	

ABB		
TITLE ZBTS/D/CT-4000A ORTHOGONAL DIRECTION DRAWING		
FIRST MADE FOR: RESONANCE SEARCH		
SIZE	CAGE CODE	DWG NO
B		50C-1019
SCALE: N/A		SHEET 3 OF 5

THIRD ANGLE PROJECTION

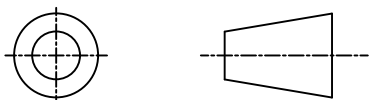
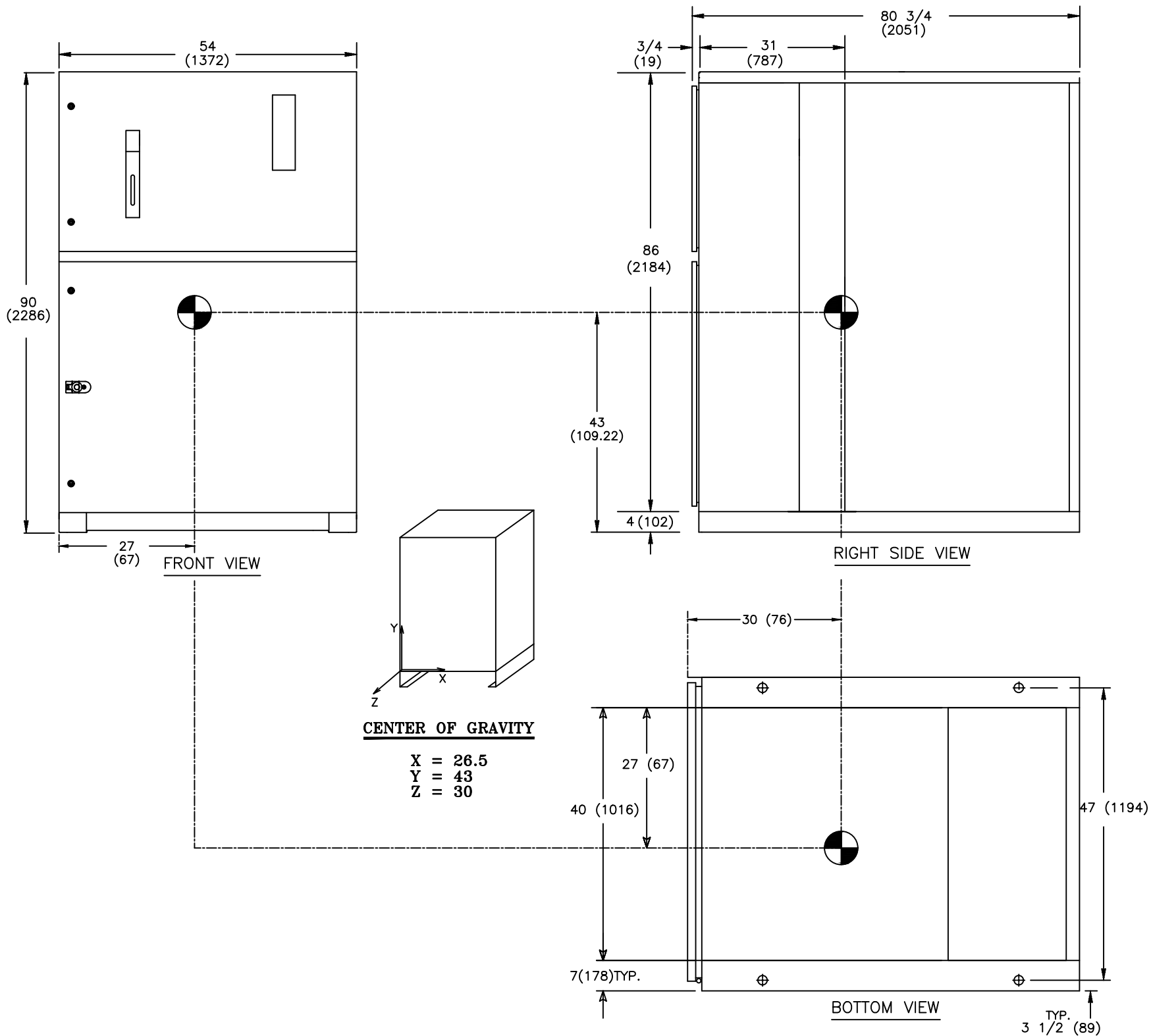


ABB PROPRIETARY AND CONFIDENTIAL INFORMATION

The information contained in the document has to be kept strictly confidential. Any unauthorized use, reproduction, distribution or disclosure to third parties is strictly forbidden. ABB reserves all rights regarding intellectual Property Rights. Copyright 2018 ABB. All rights reserved

AutoCad Generated



NOTE:

1. FOR SEISMIC MOUNTING, REFER TO SHEET NO.5

CENTER OF GRAVITY
 X = 26.5
 Y = 43
 Z = 30

SIGNATURES		DATE		ABB	
MODEL AMG		04/24/97			
DETAIL				TITLE	
CHECKED				ZBTS/D/CT-4000A	
ENGRG				CENTER OF GRAVITY	
MFG					
QUALITY					
ISSUED				FIRST MADE FOR: ZBTS(D)(CT) 4000A	
DRAWING FILE: 50C-1019.dwg		SIZE	CAGE CODE	DWG NO	
MODEL / ASSEMBLY FILE: ZBTS(D)(CT) 4000 AMP		B		50C-1019	
AutoCad Generated		# CTQs	⊖ CRITICAL TO QUALITY CHARACTERISTIC	SCALE: N/A	SHEET 4 OF 5

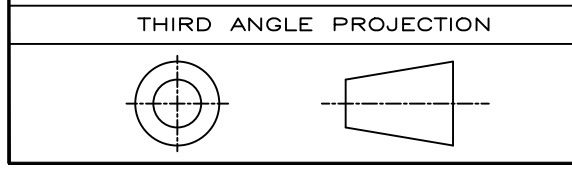
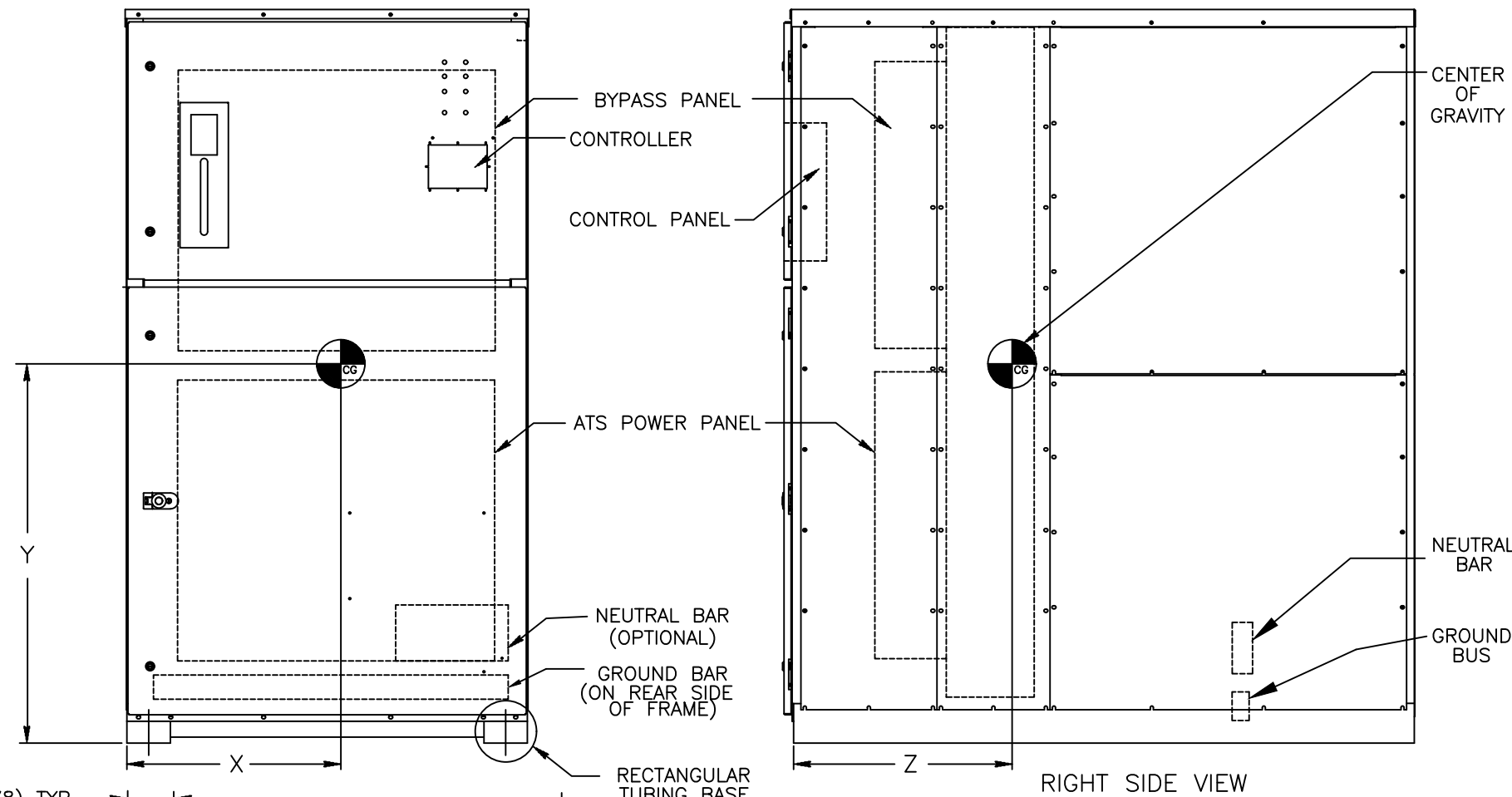


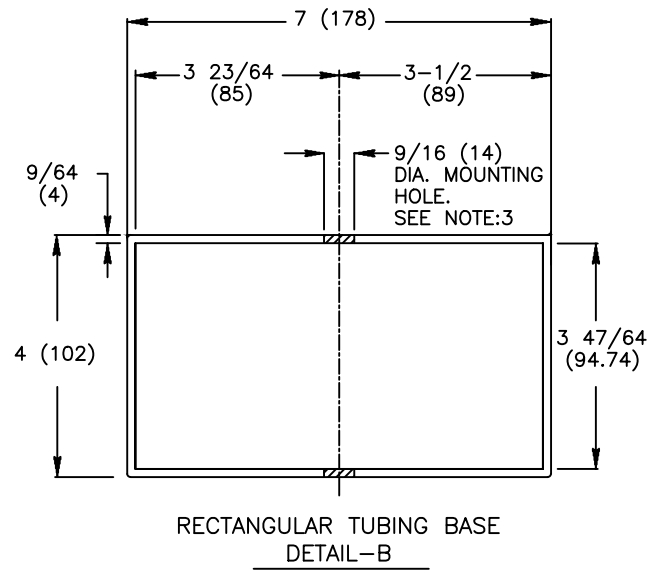
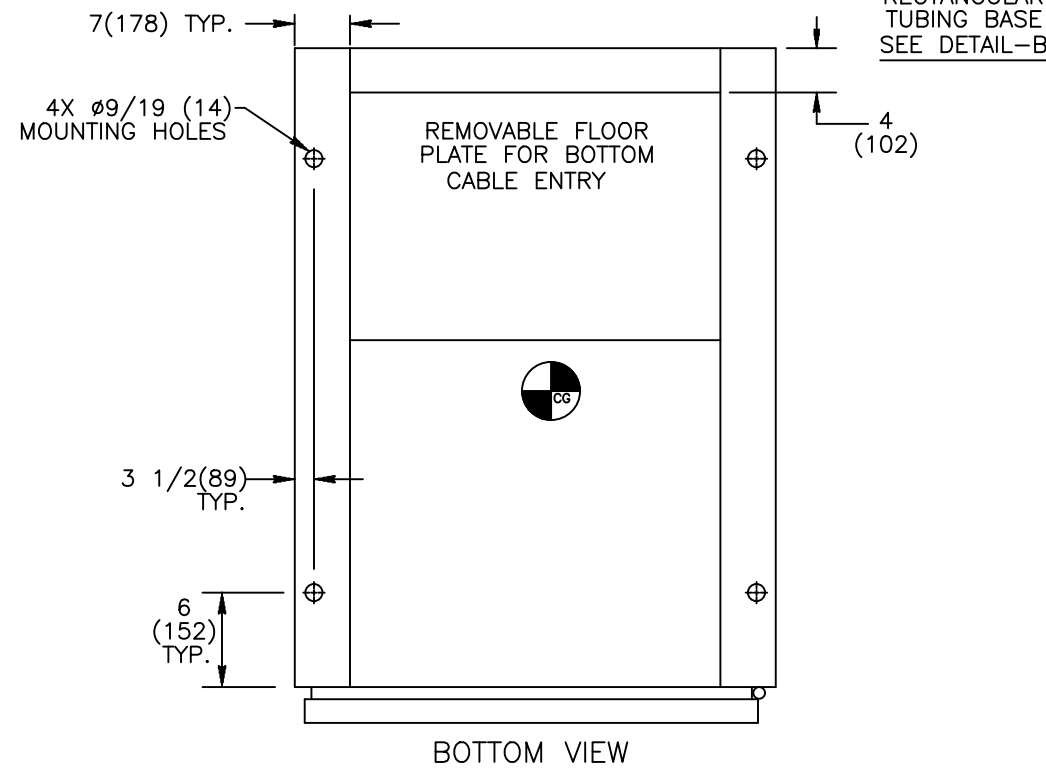
ABB PROPRIETARY AND CONFIDENTIAL INFORMATION
 The information contained in the document has to be kept strictly confidential.
 Any unauthorized use, reproduction, distribution or disclosure to third parties is strictly forbidden.
 ABB reserves all rights regarding intellectual Property Rights.
 Copyright 2018 ABB. All rights reserved





NOTES:

1. ALL DIMENSIONS ARE FOR REFERENCE ONLY AND SHOWN IN INCHES (MILLIMETERS).
2. BOLT ENCLOSURE FROM C-CHANNEL BASE (SEE DETAIL B) USING THE FOLLOWING SEISMIC CERTIFIED MOUNTING HARDWARE PER MOUNTING HOLE:
(HARDWARE PROVIDED BY INSTALLER).
 - * 1/2-13 GRADE 5 BOLT TORQUE TO 75 FT-LBS. (102 NEWTON METERS).
 - * 1/2-13 STANDARD FLAT WASHER
 - * 1/2 (13) HELICAL SPRING LOCK WASHER.
3. CENTER OF GRAVITY DIMENSIONS ARE FOR REFERENCE ONLY.
4. FOR WORKING CLEARANCE REFER TO NATIONAL AND LOCAL CODES AND STANDARDS.



AMP	POLE	WEIGHT LB(kg)	CENTER OF GRAVITY in(mm)		
			X	Y	Z
4000	3	4730(2145)	27.0 (686)	43.0 (1092)	30.0 (762)
	4	5930(2690)			

SIGNATURES		DATE		NEMA 1 – ENCLOSURE SEISMIC MTG. DETAIL	
MODEL	AMG	04/24/97			
DETAIL					
CHECKED		TITLE			
ENGRG					
MFG				FIRST MADE FOR: FOR ZBTS(D)(CT) 4000A	
QUALITY		SIZE	CAGE CODE	DWG NO	
ISSUED		B		50C-1019	
DRAWING FILE: 50C-1019.dwg					
MODEL / ASSEMBLY FILE: ZBTS(D)(CT) 4000 AMP					
AutoCad Generated		# CTQs	⊖ CRITICAL TO QUALITY CHARACTERISTIC	SCALE: N/A	SHEET 5 OF 5

ABB PROPRIETARY AND CONFIDENTIAL INFORMATION
 The information contained in the document has to be kept strictly confidential.
 Any unauthorized use, reproduction, distribution or disclosure to third parties is strictly forbidden.
 ABB reserves all rights regarding intellectual Property Rights.
 Copyright 2018 ABB. All rights reserved

