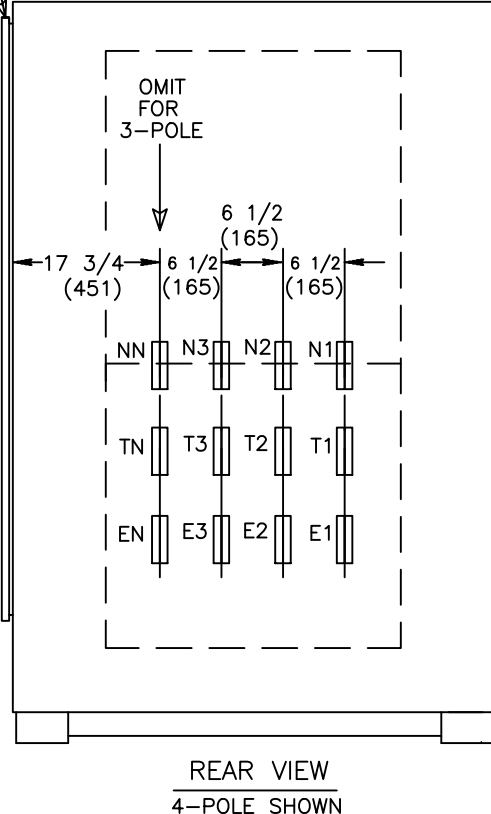
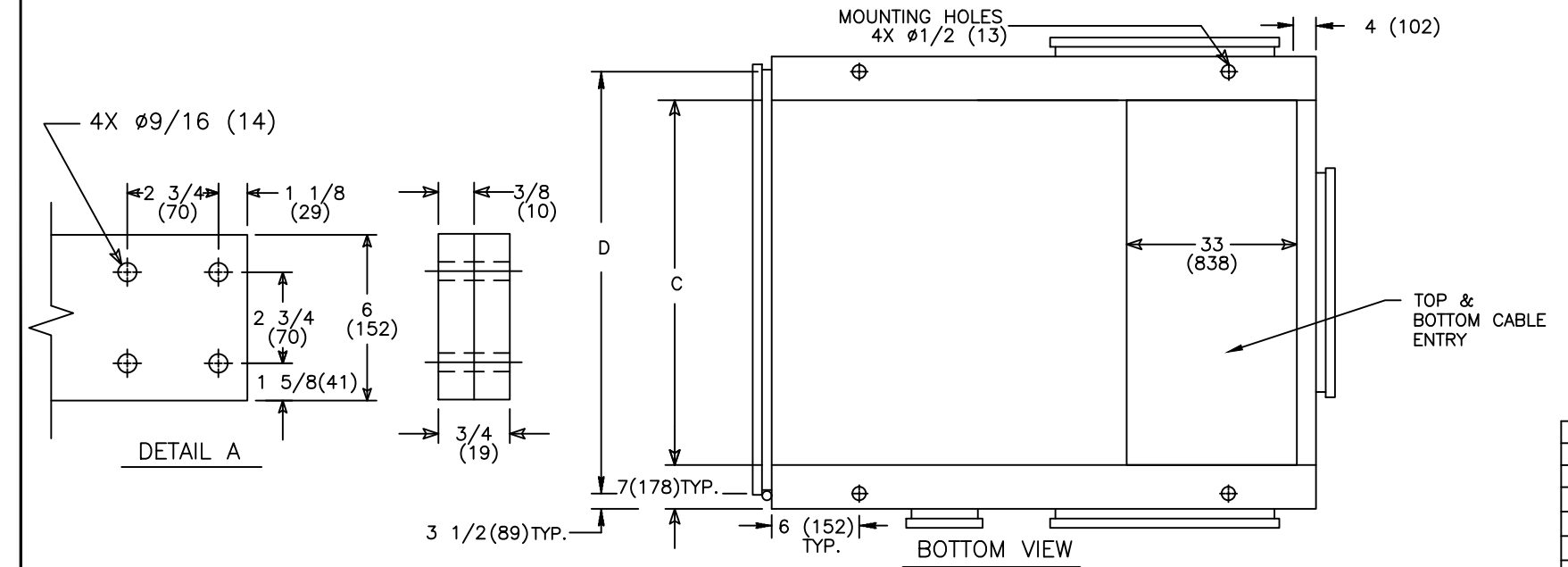


REVISIONS			
REV.	DESCRIPTION	DATE	APPROVED
2	C077003 UPDATED REBRANDING	09/23/19	AR MAS



- NOTES:**
1. MATERIAL: 10 GA. STEEL .134 REF. UNLESS OTHERWISE NOTED.
 2. FINISH: ANSI 61 GRAY
 3. ALL DIMENSIONS ARE FOR REFERENCE ONLY AND SHOWN IN INCHES(MILLIMETERS).
 4. ALL HANDLING AND MOVEMENT OF CABINET MUST BE DONE IN THE UPRIGHT POSITION ONLY.
 5. CONSTRUCTION PER UL 1008
 6. MECHANICAL AND COMPRESSION LUGS ARE AVAILABLE AS AN OPTION.
 7. 100% RATED SOLID/SWITCH NEUTRAL PROVIDED PER THE SWITCH CONFIGURATION.
 8. REFER PAGE 3 FOR SEISMIC MOUNTING DETAILS.
 9. REFER LUG TORQUE LABEL FOR TORQUE INFORMATION.
 10. REAR CONNECT DESIGN. REQUIRED REAR OR BOTH SIDE ACCESS FOR CABLE CONNECTION



ZBTS(D/CT)	SCHEDULE					
	CABINET	TYPE	POLES	B	C	D
4000 AMP	F-1954MP	NEMA 3R,4,12	3	48 1/2 (1232)	33 1/2 (851)	40 1/2 (1029)
	F-1955MP	NEMA 3R,4,12	4	55 (1397)	40 (1016)	47 (1194)

SIGNATURES	DATE
MODEL JP	09/22/97
DETAIL	
CHECKED	
ENGRG	
MFG	
QUALITY	
ISSUED	

ABB

TITLE
**NEMA 3R,4,12 ENCLOSURES
REAR BUS**

FIRST MADE FOR: FOR ZBTS(D)(CT) 4000A

DRAWING FILE: 50C-1021.dwg	SIZE B	CAGE CODE	DWG NO
MODEL / ASSEMBLY FILE: ZBTS(D/CT) 4000 AMP	50C-1021		

CTQs CRITICAL TO QUALITY CHARACTERISTIC

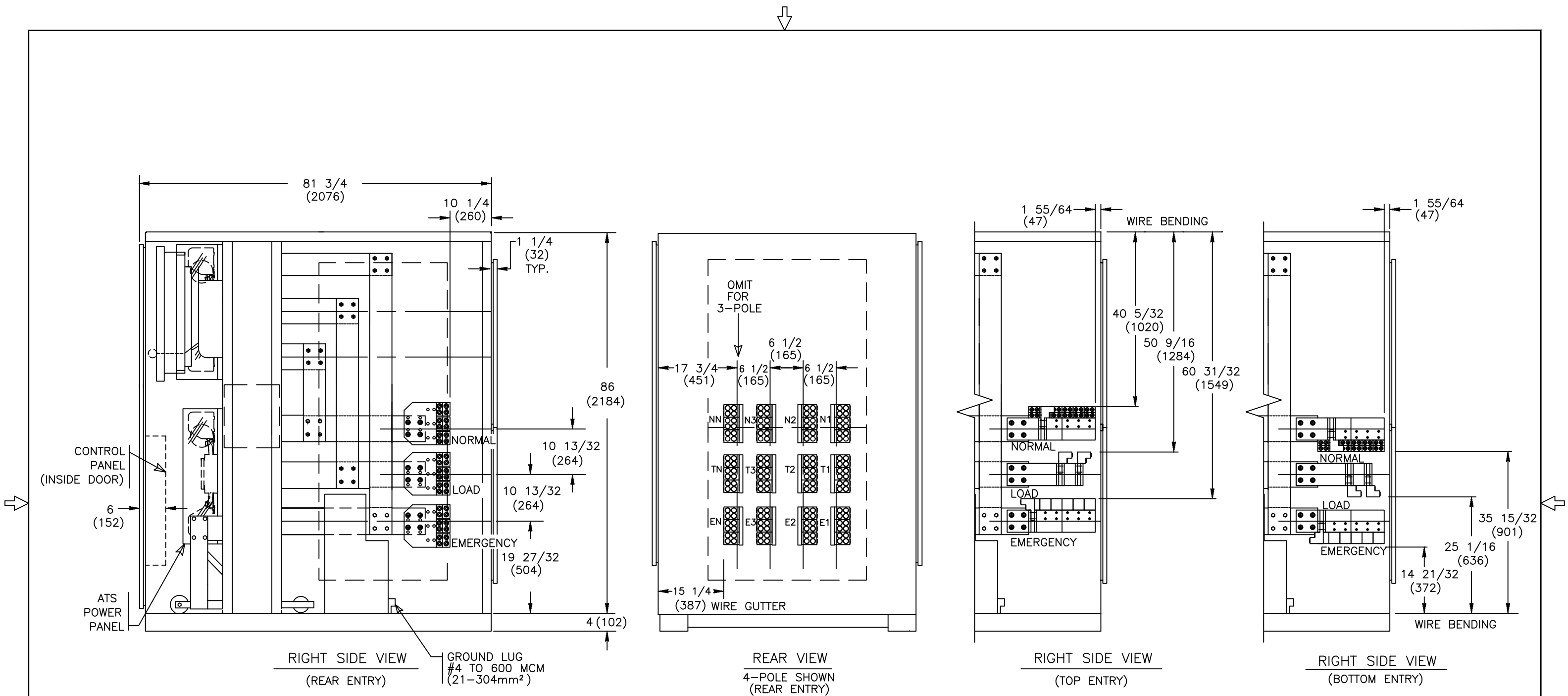
SCALE: N/A

SHEET 1 OF 3

THIRD ANGLE PROJECTION

ABB PROPRIETARY AND CONFIDENTIAL INFORMATION
The information contained in the document has to be kept strictly confidential. Any unauthorized use, reproduction, distribution or disclosure to third parties is strictly forbidden. ABB reserves all rights regarding intellectual Property Rights. Copyright 2018 ABB. All rights reserved

AutoCad Generated



IMPORTANT NOTE:
 LUGS ARE SUPPLIED AS OPTIONAL ACCESSORY ONLY. SHOWN FOR REFERENCE ONLY.

SIGNATURES		DATE
MODEL	JP	09/22/97
DETAIL		
CHECKED		
ENGRG		
MFG		
QUALITY		
ISSUED		
DRAWING FILE:	50C-1021.dwg	
MODEL / ASSEMBLY FILE:	ZBTS(D/CT) 4000 AMP	
# CTQs	⊖	CRITICAL TO QUALITY CHARACTERISTIC

ABB		
TITLE NEMA 3R,4,12 ENCLOSURES REAR BUS - LUG		
FIRST MADE FOR: ZBTS(D/CT) 4000 AMP		
SIZE	CAGE CODE	DWG NO
B		50C-1021
SCALE: N/A	SHEET 2 OF 3	

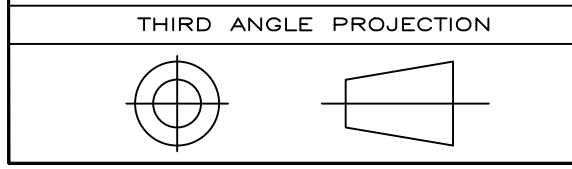
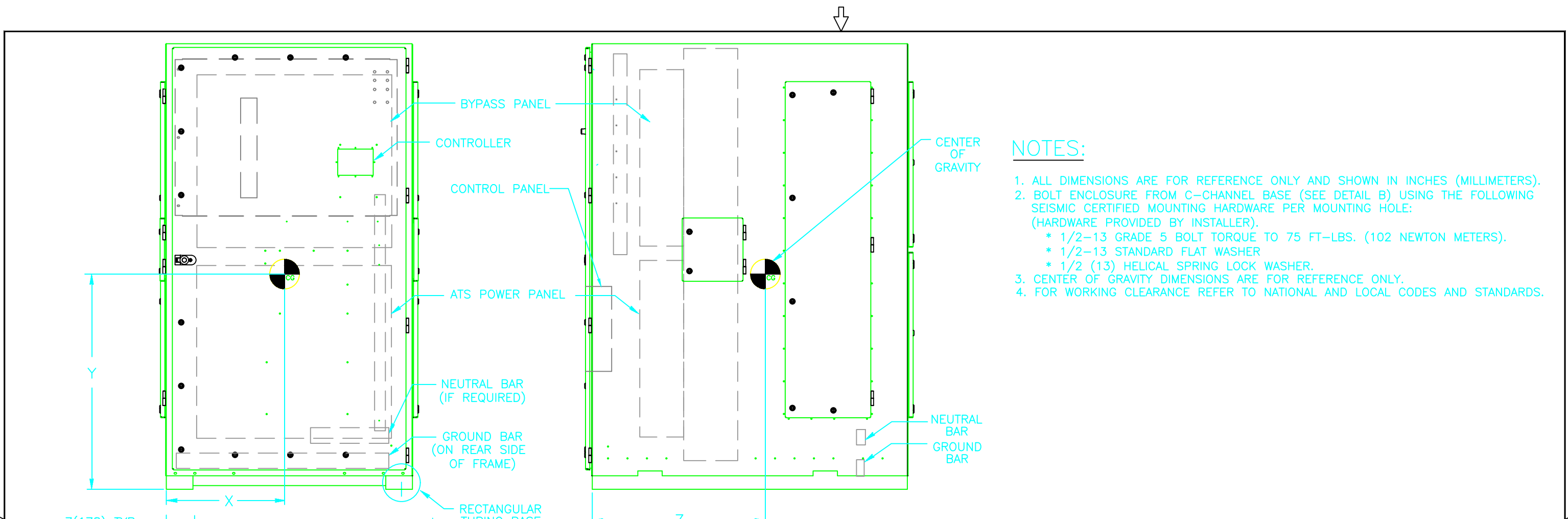


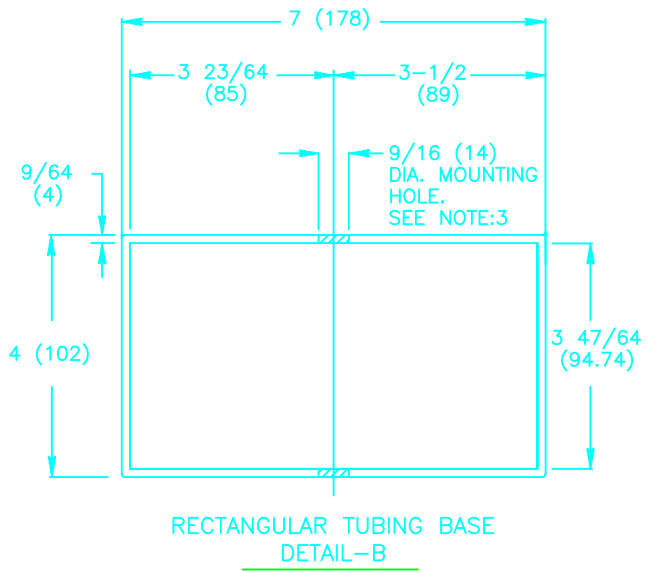
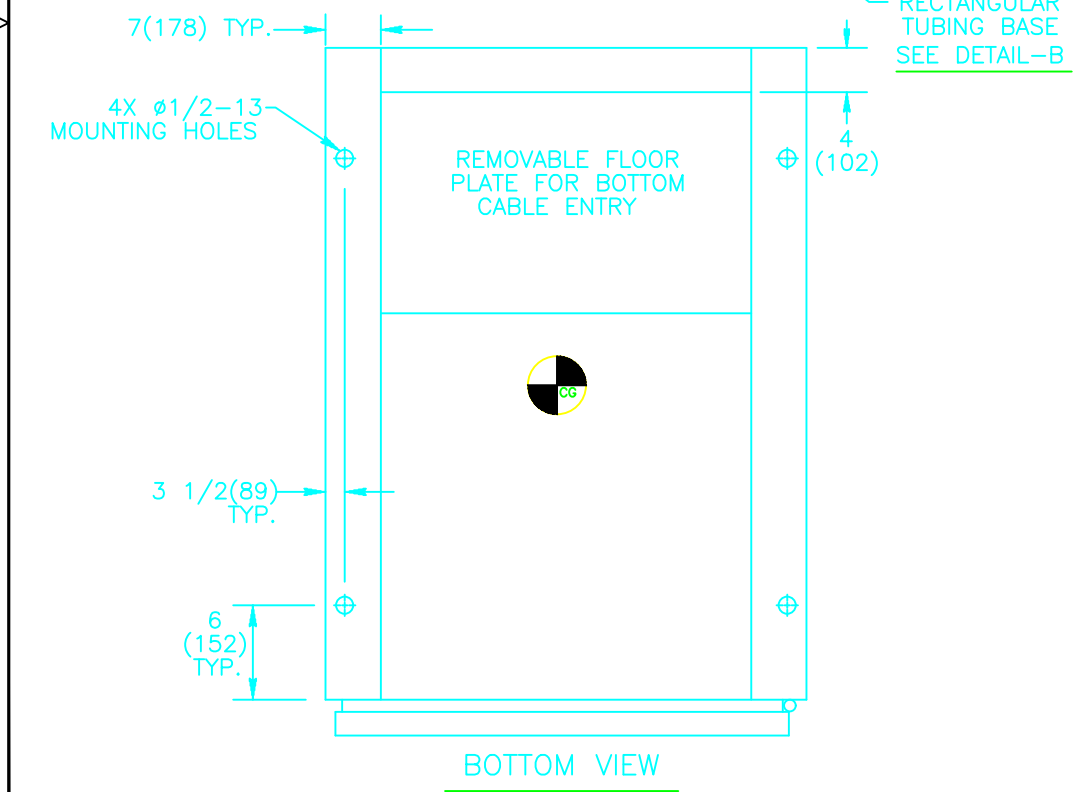
ABB PROPRIETARY AND CONFIDENTIAL INFORMATION
 The information contained in the document has to be kept strictly confidential. Any unauthorized use, reproduction, distribution or disclosure to third parties is strictly forbidden. ABB reserves all rights regarding intellectual Property Rights. Copyright 2018 ABB. All rights reserved

AutoCad Generated



NOTES:

1. ALL DIMENSIONS ARE FOR REFERENCE ONLY AND SHOWN IN INCHES (MILLIMETERS).
2. BOLT ENCLOSURE FROM C-CHANNEL BASE (SEE DETAIL B) USING THE FOLLOWING SEISMIC CERTIFIED MOUNTING HARDWARE PER MOUNTING HOLE:
(HARDWARE PROVIDED BY INSTALLER).
 - * 1/2-13 GRADE 5 BOLT TORQUE TO 75 FT-LBS. (102 NEWTON METERS).
 - * 1/2-13 STANDARD FLAT WASHER
 - * 1/2 (13) HELICAL SPRING LOCK WASHER.
3. CENTER OF GRAVITY DIMENSIONS ARE FOR REFERENCE ONLY.
4. FOR WORKING CLEARANCE REFER TO NATIONAL AND LOCAL CODES AND STANDARDS.



AMP	POLE	WEIGHT LB(kg)	CENTER OF GRAVITY in(mm)		
			X	Y	Z
4000	3	4850(2191)	27.0 (686)	43.0 (1092)	30.0 (762)
	4	6030(2735)			

SIGNATURES		DATE		ABB	
MODEL JP		09/22/97			
CHECKED				TITLE	
ENGRG				NEMA 3R,4,12 ENCL. RB SEISMIC MOUNTING DETAILS	
MFG					
QUALITY				FIRST MADE FOR: ZBTS(D/CT) 4000 AMP	
ISSUED				SIZE	DWG NO
DRAWING FILE: 50C-1021.dwg				B	50C-1021
MODEL / ASSEMBLY FILE: ZBTS(D/CT) 4000 AMP				SCALE: N/A	SHEET 3 OF 3
AutoCad Generated		# CTQs	⊕ CRITICAL TO QUALITY CHARACTERISTIC		

THIRD ANGLE PROJECTION

ABB PROPRIETARY AND CONFIDENTIAL INFORMATION
 The information contained in the document has to be kept strictly confidential.
 Any unauthorized use, reproduction, distribution or disclosure to third parties is strictly forbidden.
 ABB reserves all rights regarding intellectual Property Rights.
 Copyright 2018 ABB. All rights reserved

AutoCad Generated