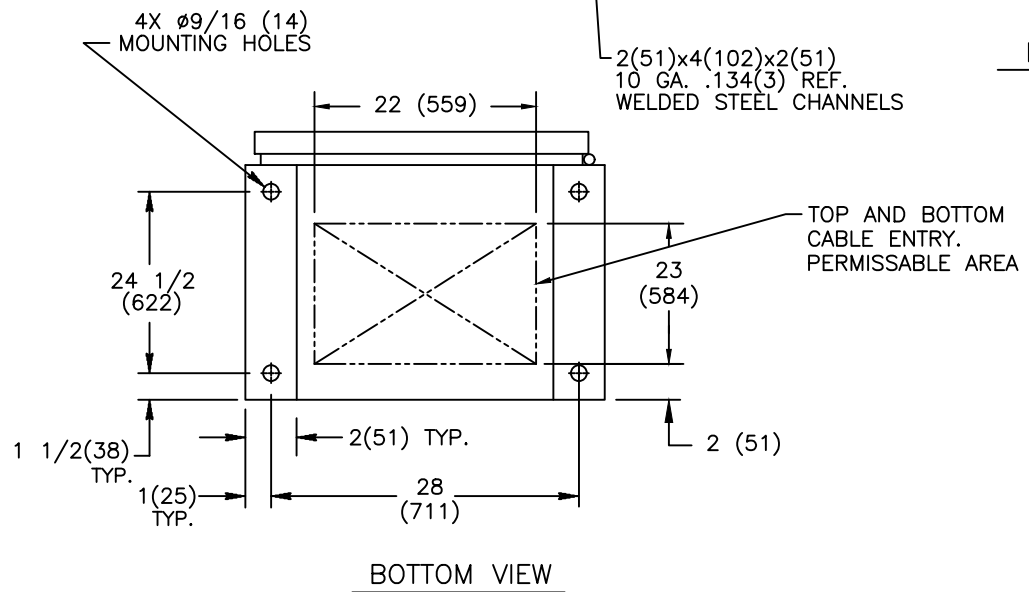
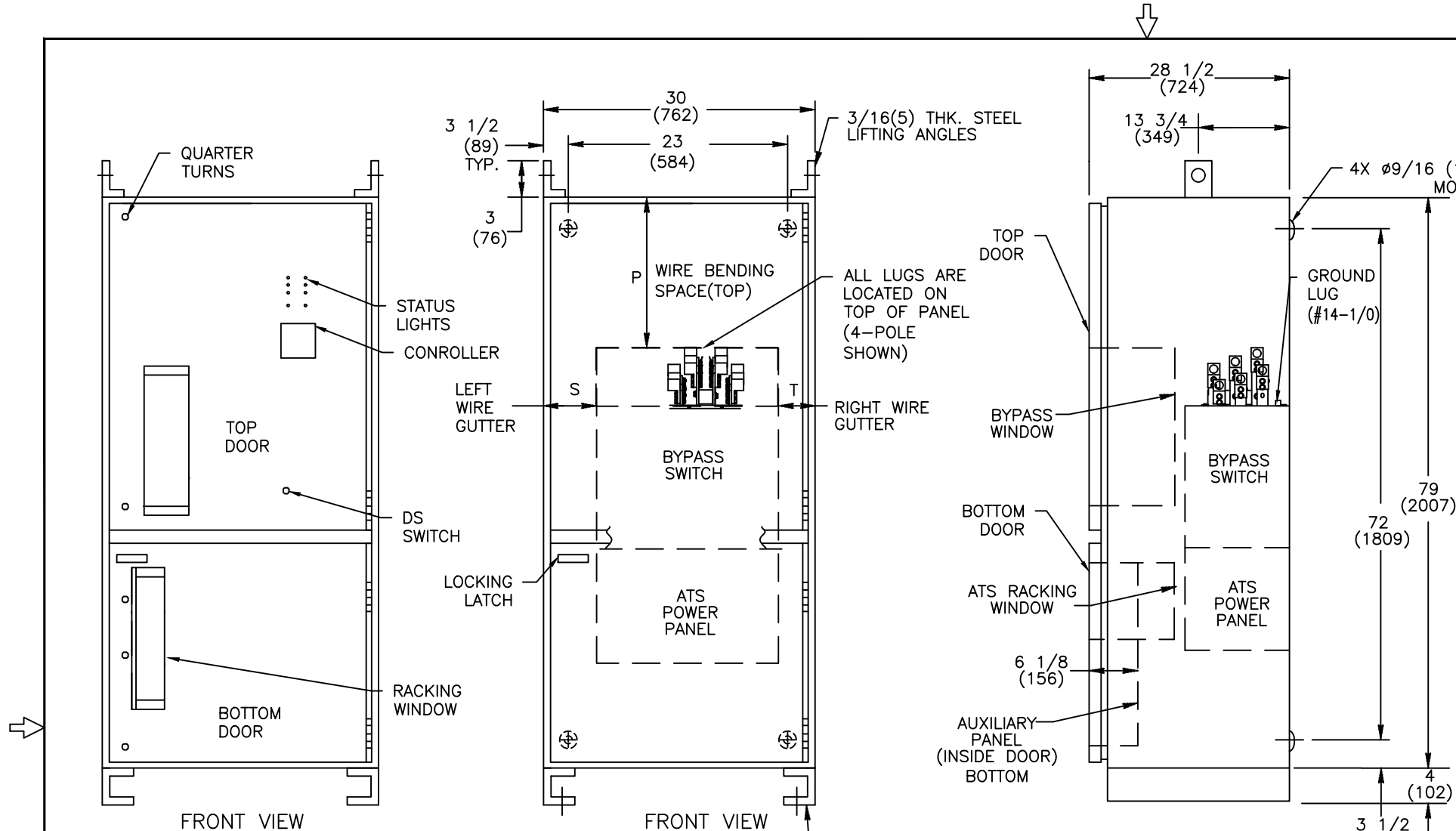


REVISIONS			
REV.	DESCRIPTION	DATE	APPROVED
2	C077003 UPDATED REBRANDING	09/23/19	AR MAS

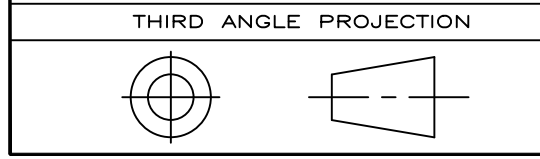
ZBTS/ZBTSD SWITCHES	NO. POLES	NEMA-1 CABINET	LUG RANGE	WIRE BENDING SPACE		
				P(TOP)	S(LEFT)	T(RIGHT)
100-225 AMP	2,3,4	F-1853MP	#6-250 MCM (16-150mm <sup>2</sup> )	15 1/4 (387)	3 3/8 (86)	1 1/8 (30)
260-400 AMP	2,3,4		#4-600 MCM (21-304mm <sup>2</sup> )	15 1/4 (387)	3 3/8 (86)	1 1/8 (30)



- NOTES:**
1. MATERIAL: 10 GA. (.134) REF. 1018 HRS
  2. FINISH: ANSI 61 GRAY
  3. FREE STANDING. FLOOR MOUNT CABINET. ALL DIMENSIONS ARE FOR REFERENCE ONLY. SHOWN IN INCHES (MILLIMETER)
  4. CONSTRUCTION PER UL 1008 STANDARD.
  5. SWITCH SUPPLY WITH STANDARD MECHANICAL LUG, RATED FOR AL&CU CABLES. (COMPRESSION LUGS ARE AVAILABLE AS AN OPTION.)
  6. SWITCH IS DESIGNED FOR BOTH TOP AND BOTTOM CABLE ENTRY.
  7. SWITCH CONFIGURATION: LOAD, NORMAL AND EMERGENCY LUGS ARE LOCATED ON TOP OF THE ATS PANEL.
  7. 100% RATED SOLID/SWITCH NEUTRAL PROVIDED PER THE SWITCH CONFIGURATION.
  8. FOR SEISMIC MOUNTING, REFER TO SHEET NO.4
  9. REFER LUG TORQUE LABEL FOR TORQUE INFORMATION.

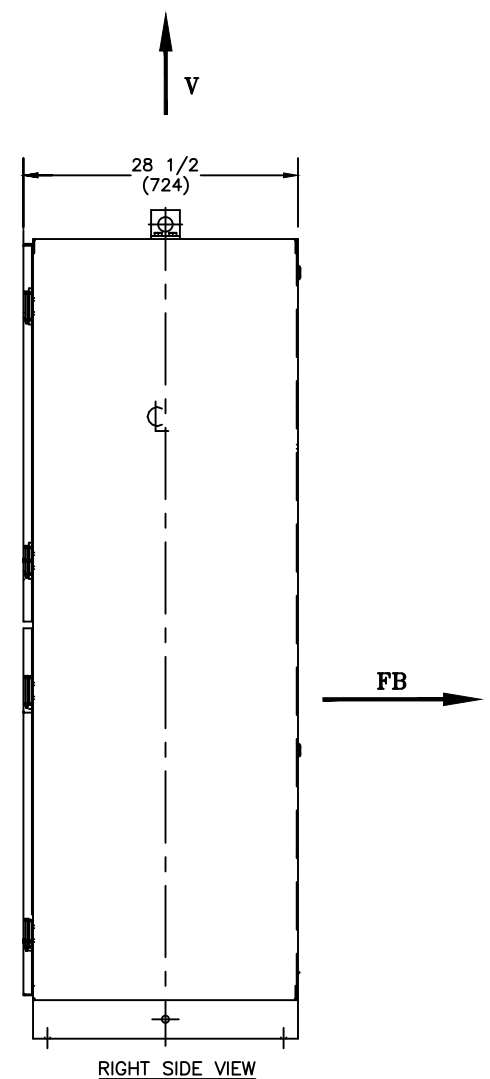
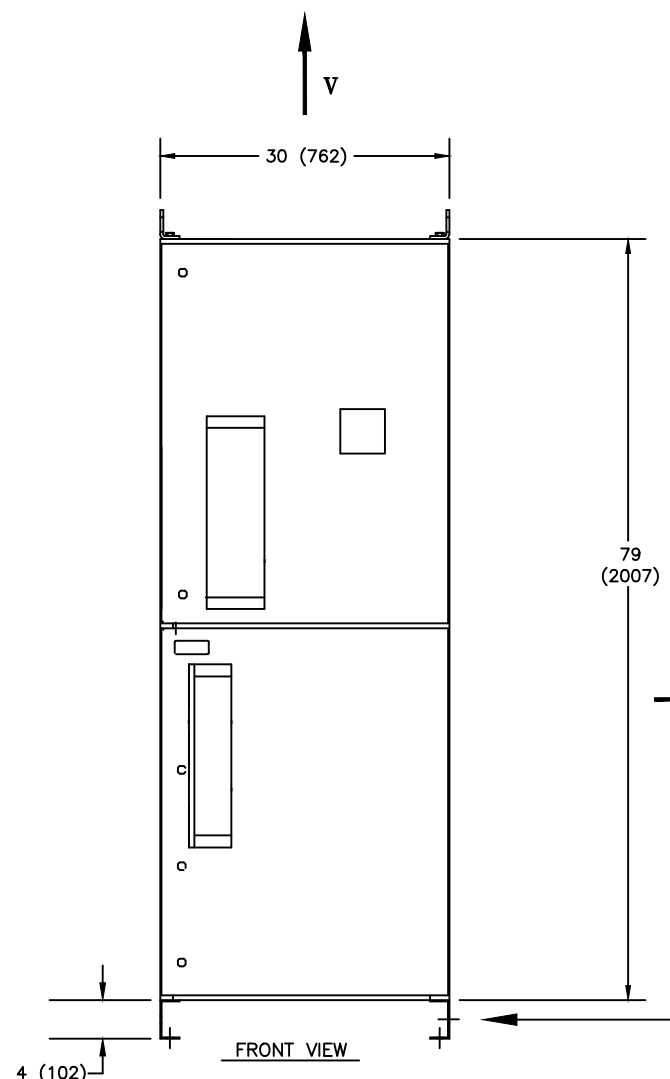
SIGNATURES		DATE
MODEL	DF	5/28/03
DETAIL		
CHECKED		
ENGRG	CEE	1/26/07
MFG		
QUALITY		
ISSUED		
DRAWING FILE:	50c-1026.dwg	
MODEL / ASSEMBLY FILE:	ZBTS(D) 100-400 AMP	
# CTQs	⊖ CRITICAL TO QUALITY CHARACTERISTIC	

<b>ABB</b>		
TITLE ATS LAYOUT - NEMA 1 FOR ZBTS(D) 100-400A		
FIRST MADE FOR: -	SIZE	DWG NO
	B	50C-1026
SCALE: N/A	SHEET 1 OF 4	

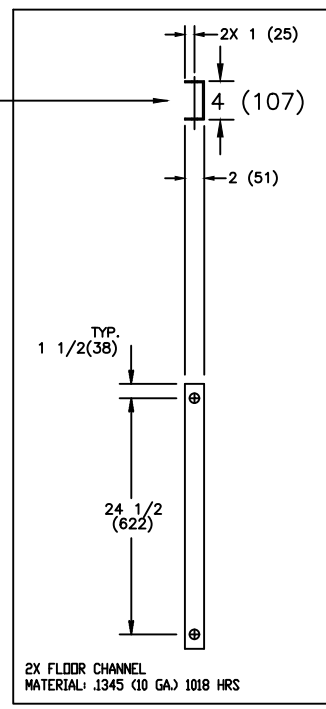
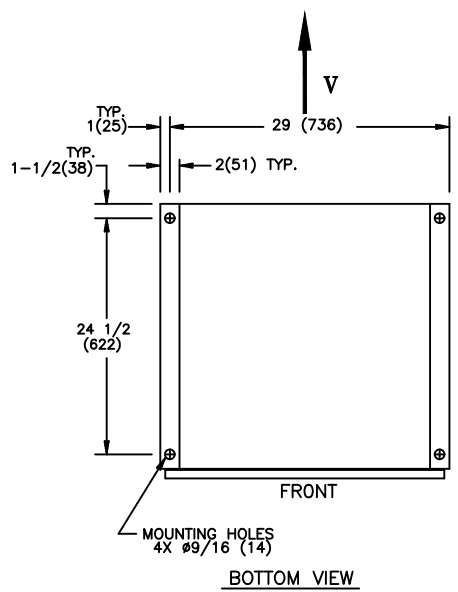


**ABB PROPRIETARY AND CONFIDENTIAL INFORMATION**  
 The information contained in the document has to be kept strictly confidential. Any unauthorized use, reproduction, distribution or disclosure to third parties is strictly forbidden. ABB reserves all rights regarding intellectual Property Rights. Copyright 2018 ABB. All rights reserved.

AutoCad Generated

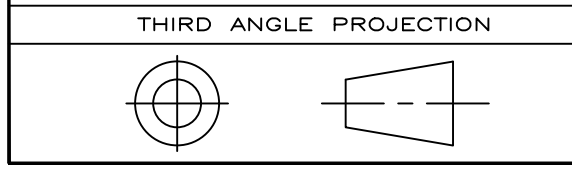


**NOTE:**  
1. FOR SEISMIC MOUNTING, REFER TO SHEET NO.4



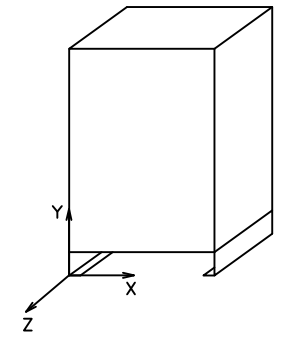
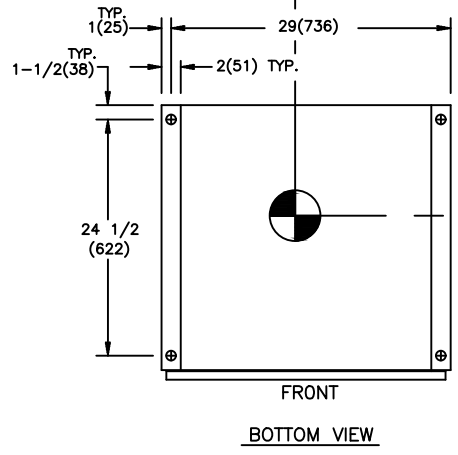
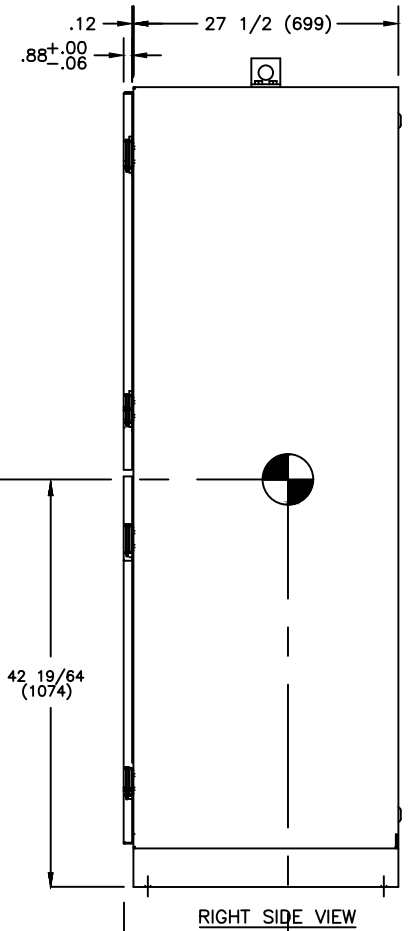
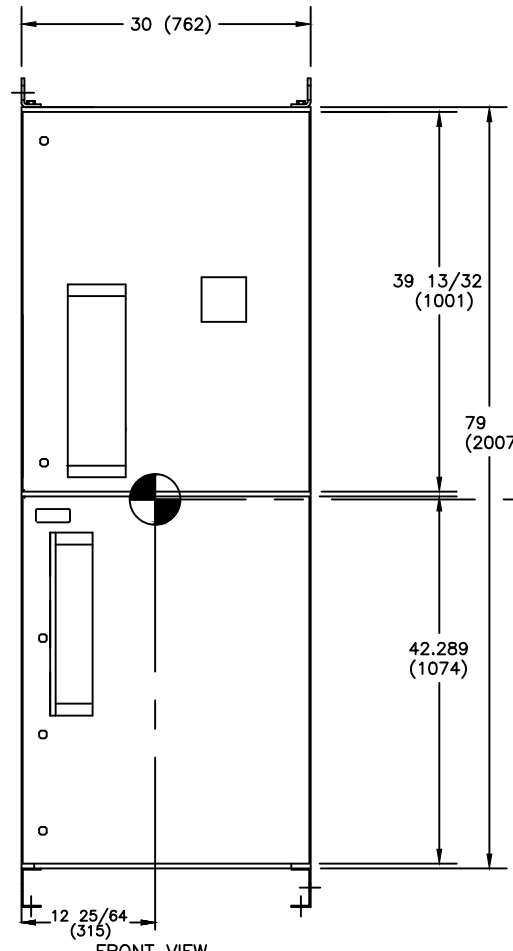
SIGNATURES		DATE
MODEL	DF	5/28/03
DETAIL		
CHECKED		
ENGRG	CEE	1/26/07
MFG		
QUALITY		
ISSUED		
DRAWING FILE:	50c-1026.dwg	
MODEL / ASSEMBLY FILE:	ZBTS(D) 100-400 AMP	
# CTQs	⊖	CRITICAL TO QUALITY CHARACTERISTIC

<b>ABB</b>		
TITLE ATS LAYOUT- NEMA-1 FOR ZBTS(D) 100-400A		
FIRST MADE FOR: ZBTS(D) 100-400A		
SIZE	CAGE CODE	DWG NO
B		50C-1026
SCALE:	N/A	SHEET 2 OF 4



**ABB PROPRIETARY AND CONFIDENTIAL INFORMATION**  
The information contained in the document has to be kept strictly confidential. Any unauthorized use, reproduction, distribution or disclosure to third parties is strictly forbidden. ABB reserves all rights regarding intellectual Property Rights. Copyright 2018 ABB. All rights reserved

AutoCad Generated



**CENTER OF GRAVITY**

X = 13.946  
 Y = 42.289  
 Z = 17.061

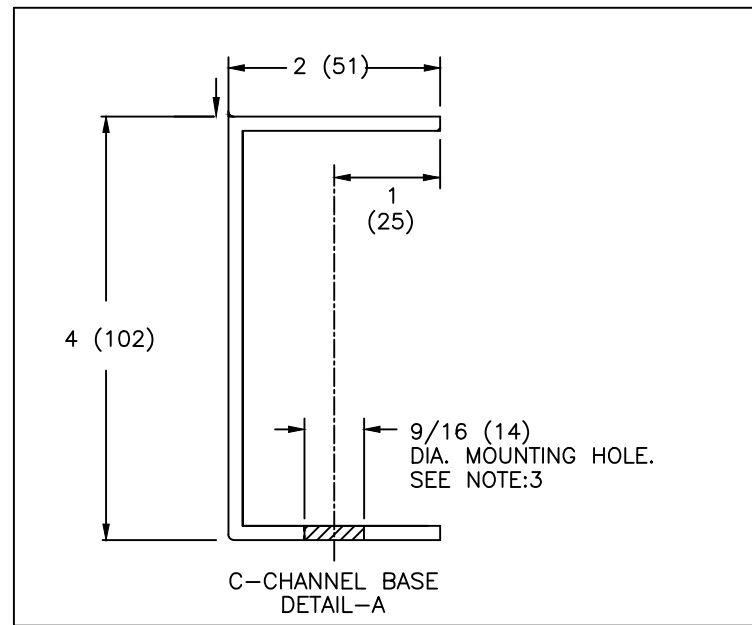
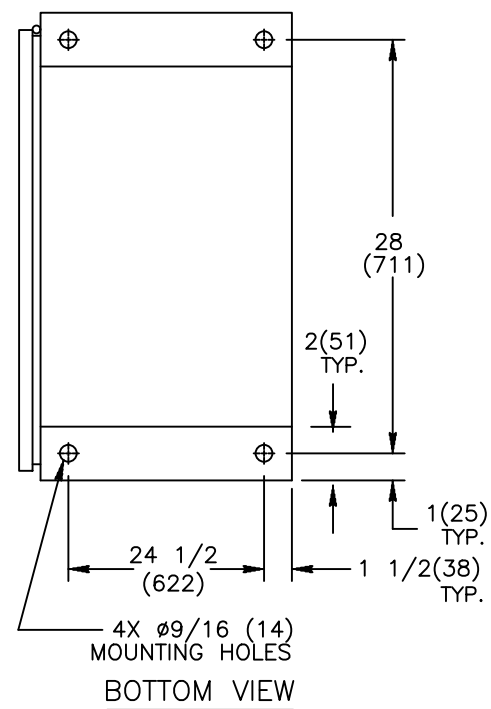
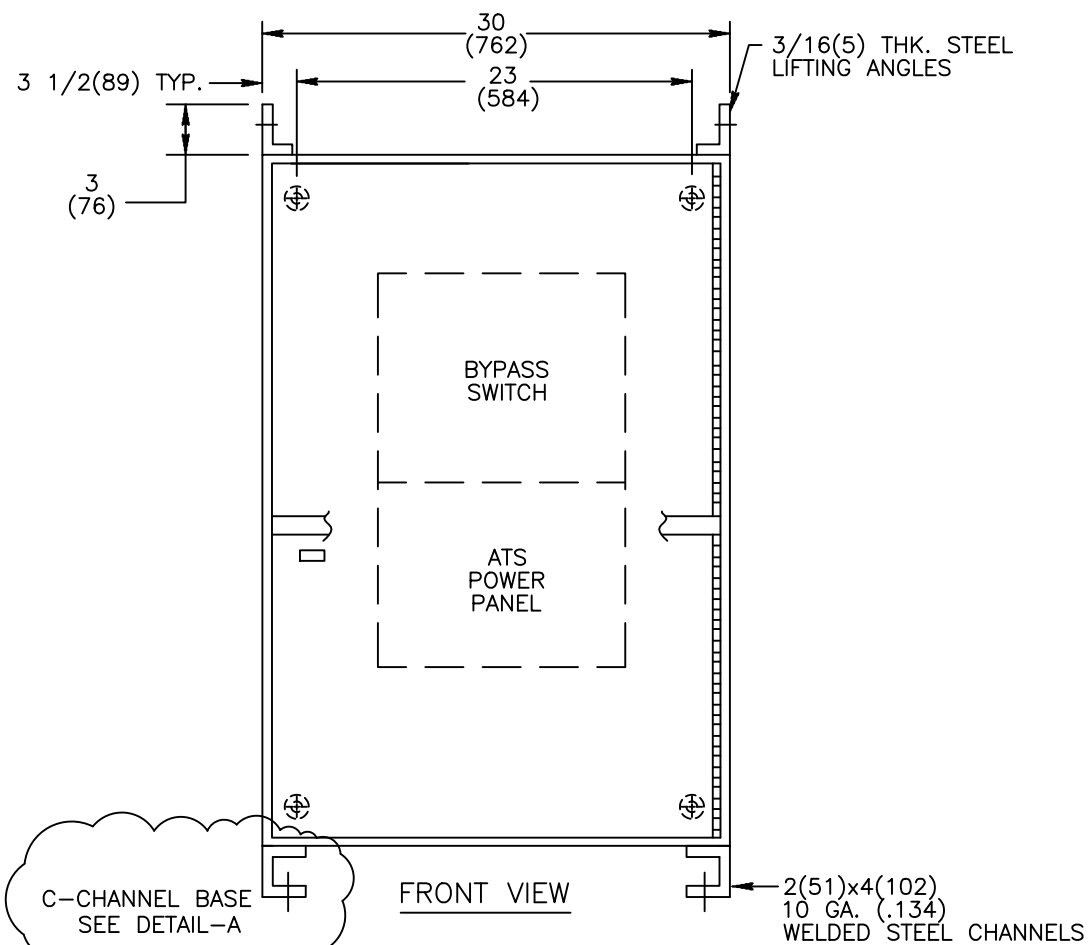
**NOTE:**  
 1. FOR SEISMIC MOUNTING, REFER TO SHEET NO.4

SIGNATURES		DATE		<b>ZBTS(D) 100-400A          CENTER OF GRAVITY</b>		
MODEL DF		5/28/03				
DETAIL						
CHECKED						
ENGRG CEE		1/26/07				
MFG				TITLE		
QUALITY				FIRST MADE FOR: -		
ISSUED				SIZE	CAGE CODE	DWG NO
DRAWING FILE: 50c-1026.dwg		B		50C-1026		
MODEL / ASSEMBLY FILE: ZBTS(D) 100-400 AMP				SCALE: N/A		
# CTQs		⊖ CRITICAL TO QUALITY CHARACTERISTIC		SHEET 3 OF 4		

THIRD ANGLE PROJECTION

**ABB PROPRIETARY AND CONFIDENTIAL INFORMATION**  
 The information contained in the document has to be kept strictly confidential.  
 Any unauthorized use, reproduction, distribution or disclosure to third parties is strictly forbidden.  
 ABB reserves all rights regarding intellectual Property Rights.  
 Copyright 2018 ABB. All rights reserved

AutoCad Generated

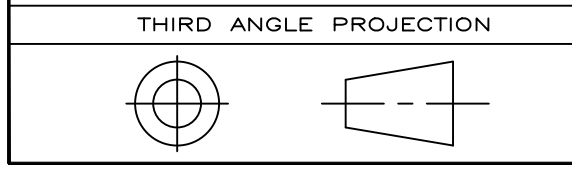


**NOTES:**

1. ALL DIMENSIONS ARE FOR REFERENCE ONLY AND SHOWN IN INCHES (MILLIMETERS).
2. BOLT ENCLOSURE FROM C-CHANNEL BASE (SEE DETAIL B) USING THE FOLLOWING SEISMIC CERTIFIED MOUNTING HARDWARE PER MOUNTING HOLE: (HARDWARE PROVIDED BY INSTALLER).
  - \* 1/2-13 GRADE 5 BOLT TORQUE TO 75 FT-LBS. (102 NEWTON METERS).
  - \* 1/2-13 STANDARD FLAT WASHER
  - \* 1/2 (13) HELICAL SPRING LOCK WASHER.
3. CENTER OF GRAVITY DIMENSIONS ARE FOR REFERENCE ONLY.
4. FOR WORKING CLEARANCE REFER TO NATIONAL AND LOCAL CODES AND STANDARDS.

ZBTS/ZBTSD AMP	POLE	WEIGHT
		LB(kg)
100-400	3	910(413)
	4	1000(454)

SIGNATURES		DATE		<b>ABB</b>	
MODEL DF		5/28/03			
DETAIL				TITLE	
CHECKED				SEISMIC MOUNTING DETAILS FOR ZBTS(D) 100-400A ENCL	
ENGRG CEE		1-26-07			
MFG				FIRST MADE FOR: ZBTS(D) 100-400A	
QUALITY				SIZE	CAGE CODE
ISSUED				DWG NO	
DRAWING FILE: 50C-1026.dwg		B		50C-1026	
MODEL / ASSEMBLY FILE: ZBTS(D) 100-400 AMP					
AutoCad Generated		# CTQs	⊖	CRITICAL TO QUALITY CHARACTERISTIC	SCALE: N/A
				SHEET 4 OF 4	



**ABB PROPRIETARY AND CONFIDENTIAL INFORMATION**

The information contained in the document has to be kept strictly confidential. Any unauthorized use, reproduction, distribution or disclosure to third parties is strictly forbidden. ABB reserves all rights regarding intellectual Property Rights. Copyright 2018 ABB. All rights reserved

