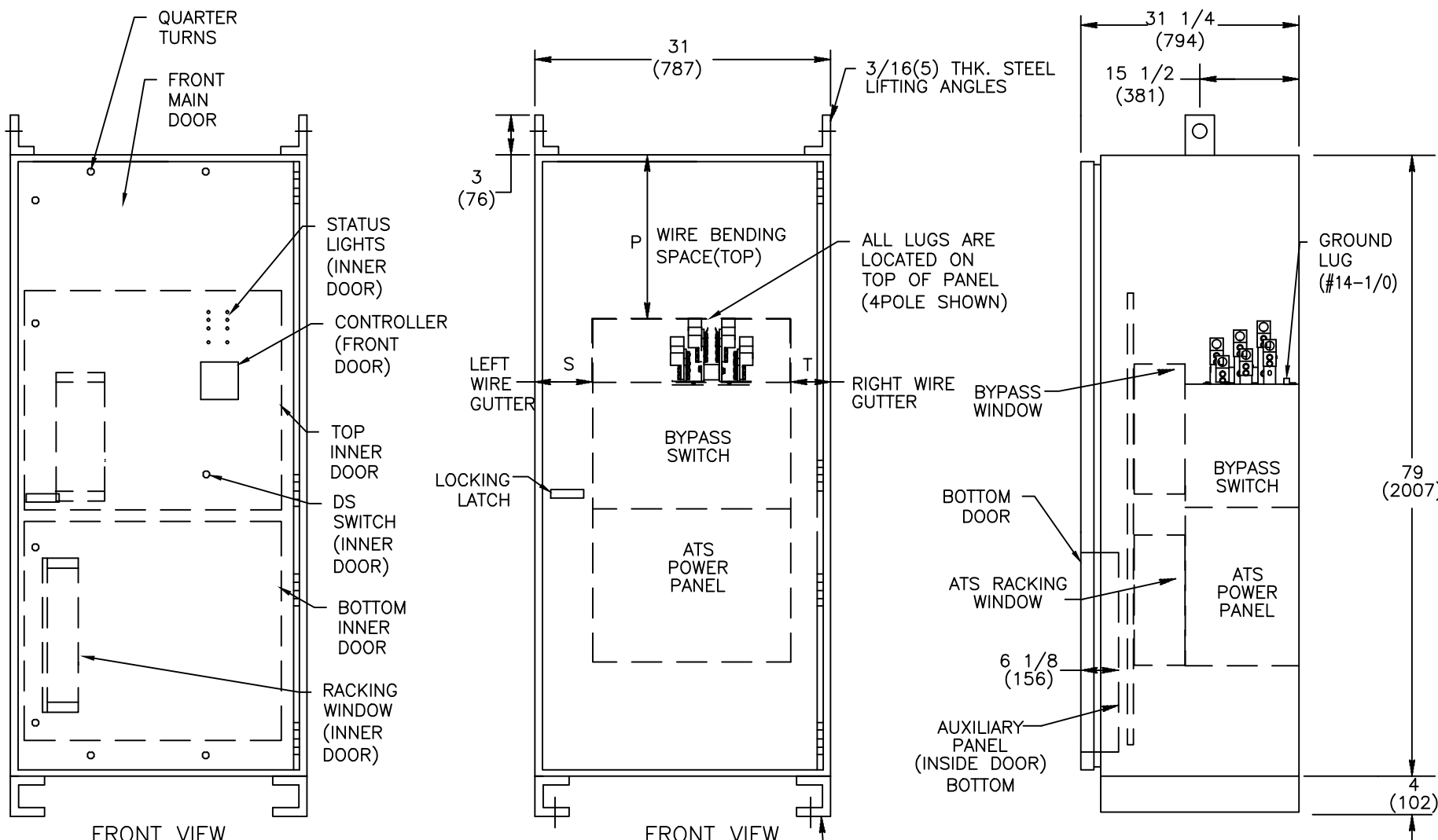


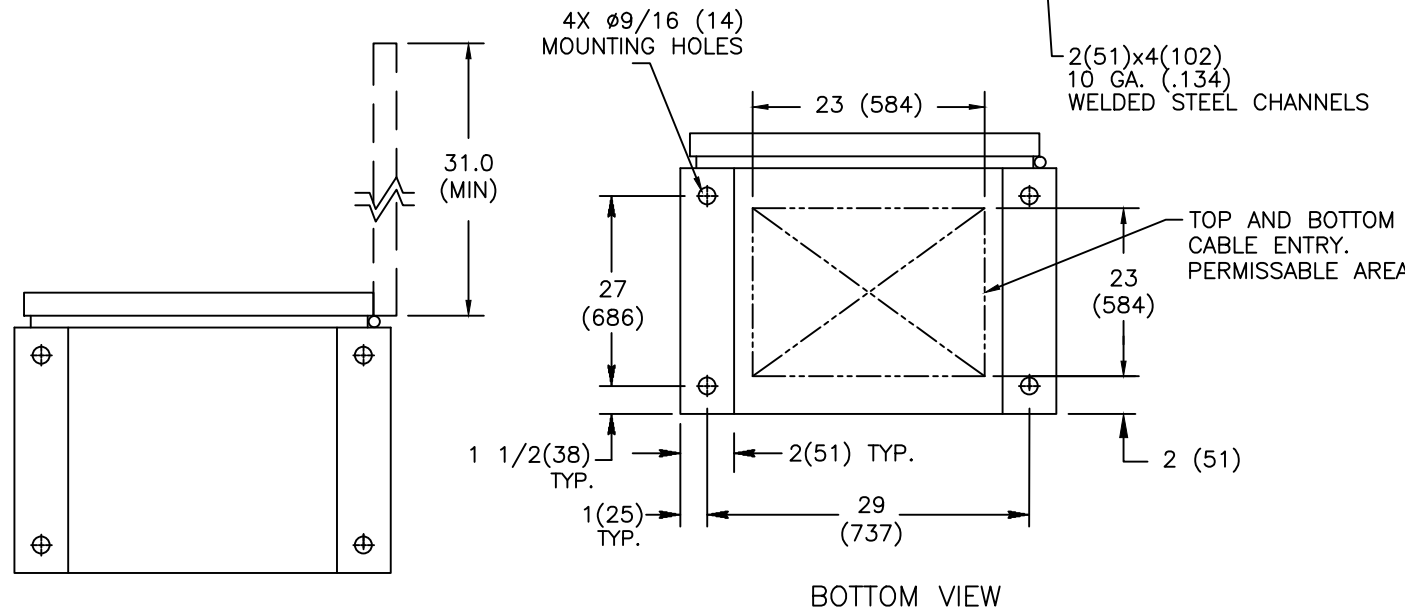
REVISIONS			
REV.	DESCRIPTION	DATE	APPROVED
1	C033891 REVISED DWG	09/21/17	YP MAS



ZBTS/ZBTSD SWITCHES	NO. POLES	NEMA-1 CABINET	LUG RANGE	WIRE BENDING SPACE		
				P(TOP)	S(LEFT)	T(RIGHT)
100-225 AMP	2,3,4	F-1898MP	#6-250 MCM (16-150mm <sup>2</sup> )	15 1/4 (387)	3 3/8 (86)	2 1/4 (57)
260-400 AMP	2,3,4		#4-600 MCM (21-304mm <sup>2</sup> )	15 1/4 (387)	3 3/8 (86)	2 1/4 (57)

**NOTES:**

1. MATERIAL: 10 GA. (.134) REF. 1018 HRS STEEL
2. FINISH: ANSI 61 GRAY
3. FREE STANDING. FLOOR MOUNT CABINET. ALL DIMENSIONS ARE FOR REFERENCE ONLY. SHOWN IN INCHES (MILLIMETER)
4. CONSTRUCTION PER UL 1008 STANDARD.
5. SWITCH SUPPLY WITH STANDARD MECHANICAL LUG, RATED FOR AL&CU CABLES. (COMPRESSION LUGS ARE AVAILABLE AS AN OPTION.)
6. SWITCH IS DESIGNED FOR BOTH TOP AND BOTTOM CABLE ENTRY.
7. SWITCH CONFIGURATION: LOAD, NORMAL AND EMERGENCY LUGS ARE LOCATED ON TOP OF THE ATS PANEL.
7. 100% RATED SOLID/SWITCH NEUTRAL PROVIDED PER THE SWITCH CONFIGURATION.
8. FOR SEISMIC MOUNTING, REFER TO SHEET NO.3
9. REFER LUG TORQUE LABEL FOR TORQUE INFORMATION.



SIGNATURES		DATE
MODEL	DF	5/28/03
CHECKED		
ENGRG	CEE	1/26/07
MFG		
QUALITY		
ISSUED		
DRAWING FILE:	50c-1027.dwg	
MODEL / ASSEMBLY FILE:	ZBTS(D) 100-400 AMP	
# CTQS	⊖	CRITICAL TO QUALITY CHARACTERISTIC

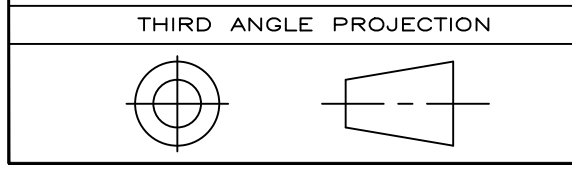
**GE Zenith Controls**

TITLE: **ATS LAYOUT FOR NEMA 3R,4&12 ENCL**

FIRST MADE FOR: FOR ZBTS(D) 100-400A

SIZE: B CAGE CODE: DWG NO: 50C-1027

SCALE: N/A SHEET 1 OF 3



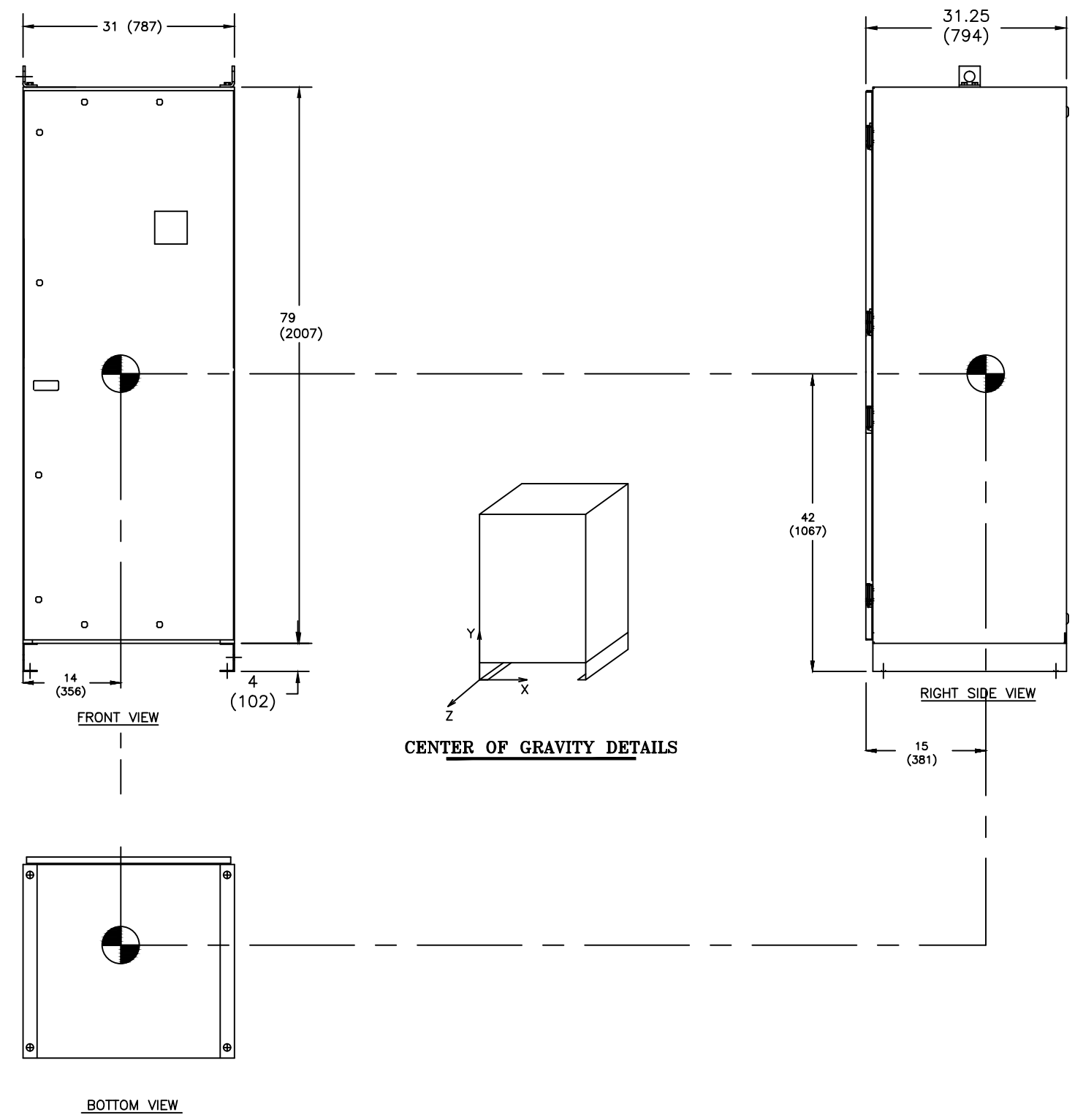
GE PROPRIETARY AND CONFIDENTIAL INFORMATION

This document is the property of General Electric Company ("GE") and contains proprietary information of GE. This document is loaned on the express condition that neither it nor the information contained therein shall be disclosed to others without the express written consent of GE Industrial Systems, and that the information shall be used by the recipient only as approved expressly by GE Industrial Systems. This document shall be returned to GE upon its request. This document may be subject to certain restrictions under U.S. export control laws and regulations.

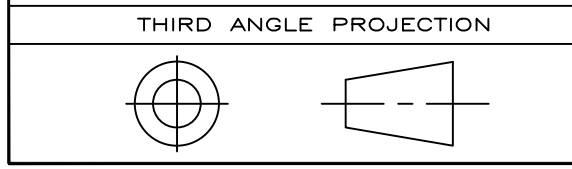
AutoCad Generated

REVISIONS			
REV.	DESCRIPTION	DATE	APPROVED
1	C033891 REVISED DWG	09/21/17	YP MAS

**NOTE:**  
1. FOR SEISMIC MOUNTING, REFER TO SHEET NO.3



SIGNATURES		DATE	<b>GE Zenith Controls</b> TITLE ZBTS(D) 100-400A CENTER OF GRAVITY FIRST MADE FOR: FOR NEMA 3R, 4, 12 CABINET
MODEL	DF	5/28/03	
DETAIL			
CHECKED			
ENGRG	CEE	1/26/07	
MFG			
QUALITY			
ISSUED			
DRAWING FILE:	50c-1027.dwg		SIZE
MODEL / ASSEMBLY FILE:	ZBTS(D) 100-400 AMP		CAGE CODE
			DWG NO
			50C-1027
# CTQs	⊖	CRITICAL TO QUALITY CHARACTERISTIC	SCALE: N/A
			SHEET 2 OF 3



GE PROPRIETARY AND CONFIDENTIAL INFORMATION

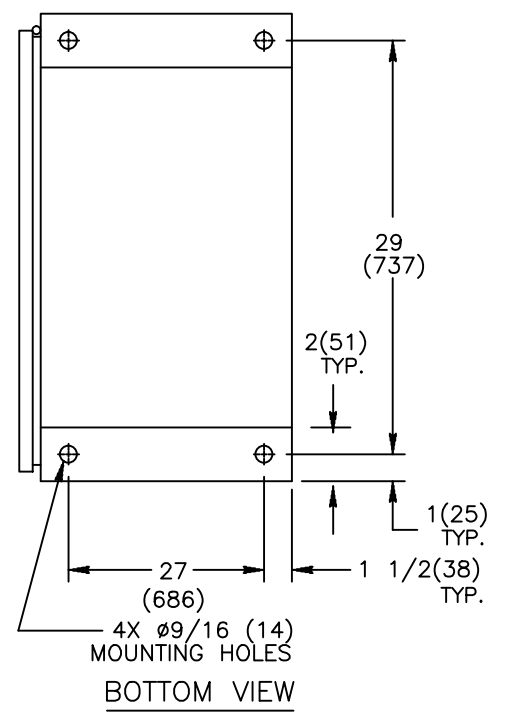
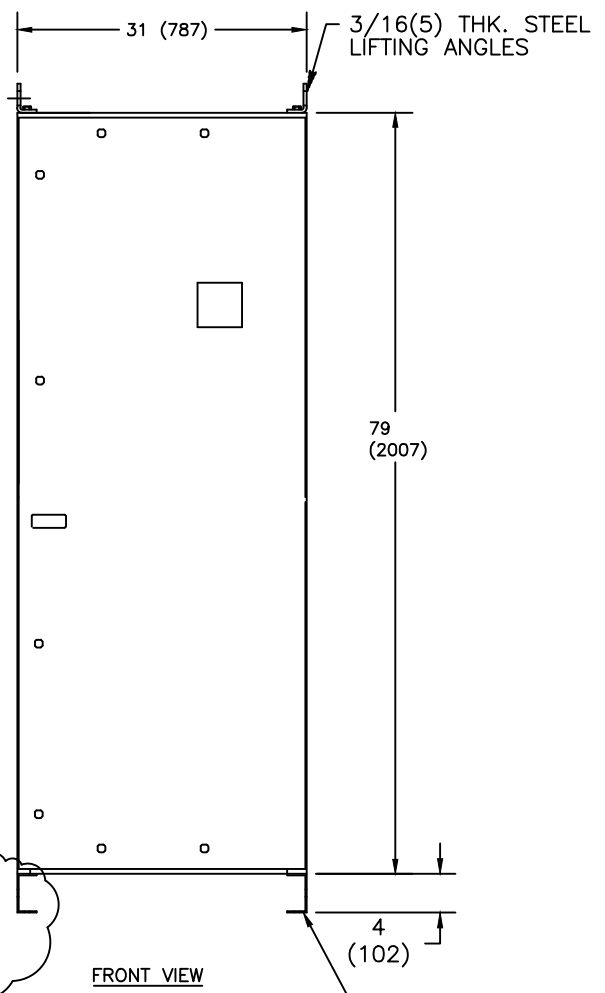
This document is the property of General Electric Company ("GE") and contains proprietary information of GE. This document is loaned on the express condition that neither it nor the information contained therein shall be disclosed to others without the express written consent of GE Industrial Systems, and that the information shall be used by the recipient only as approved expressly by GE Industrial Systems. This document shall be returned to GE upon its request. This document may be subject to certain restrictions under U.S. export control laws and regulations.

AutoCad Generated

REVISIONS			
REV.	DESCRIPTION	DATE	APPROVED
1	C033891 REVISED DWG	09/21/17	YP MAS

**NOTES:**

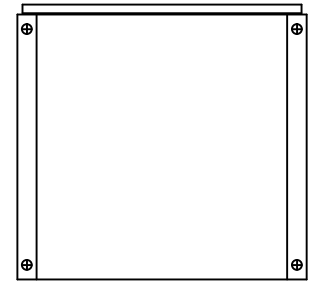
- ALL DIMENSIONS ARE FOR REFERENCE ONLY AND SHOWN IN INCHES (MILLIMETERS).
- BOLT ENCLOSURE FROM C-CHANNEL BASE (SEE DETAIL B) USING THE FOLLOWING SEISMIC CERTIFIED MOUNTING HARDWARE PER MOUNTING HOLE:  
(HARDWARE PROVIDED BY INSTALLER).
  - \* 1/2-13 GRADE 5 BOLT TORQUE TO 75 FT-LBS. (102 NEWTON METERS).
  - \* 1/2-13 STANDARD FLAT WASHER
  - \* 1/2 (13) HELICAL SPRING LOCK WASHER.
- CENTER OF GRAVITY DIMENSIONS ARE FOR REFERENCE ONLY.
- FOR WORKING CLEARANCE REFER TO NATIONAL AND LOCAL CODES AND STANDARDS.



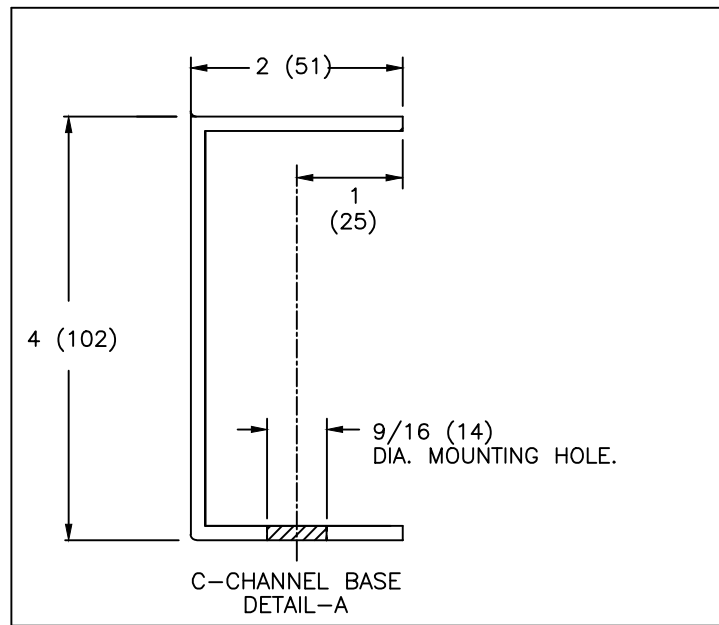
C-CHANNEL BASE  
SEE DETAIL-A

FRONT VIEW

2(51)x4(102)  
10 GA. (.134)  
WELDED STEEL CHANNELS



BOTTOM VIEW



C-CHANNEL BASE  
DETAIL-A

ZBTS/ZBTSD AMP	POLE	WEIGHT
		LB(kg)
100-400	3	1080(490)
	4	1100(535)

SIGNATURES		DATE
MODEL	DF	5/28/03
DETAIL		
CHECKED		
ENGRG	CEE	1-26-07
MFG		
QUALITY		
ISSUED		
DRAWING FILE:		50C-1027.dwg
MODEL / ASSEMBLY FILE:		ZBTS(D) 100-400 AMP
# CTQs	⊖	CRITICAL TO QUALITY CHARACTERISTIC

**GE Zenith Controls**

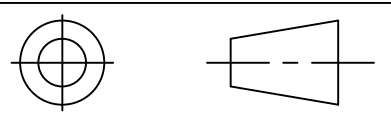
TITLE  
**SEISMIC MOUNTING DETAILS FOR ZBTS(D) 100-400A ENCL**

FIRST MADE FOR: FOR NEMA 3R, 4, 12

SIZE	CAGE CODE	DWG NO
B		50C-1027

SCALE: N/A SHEET 3 OF 3

THIRD ANGLE PROJECTION



GE PROPRIETARY AND CONFIDENTIAL INFORMATION

This document is the property of General Electric Company ("GE") and contains proprietary information of GE. This document is loaned on the express condition that neither it nor the information contained therein shall be disclosed to others without the express written consent of GE Industrial Systems, and that the information shall be used by the recipient only as approved expressly by GE Industrial Systems. This document shall be returned to GE upon its request. This document may be subject to certain restrictions under U.S. export control laws and regulations.

AutoCad Generated