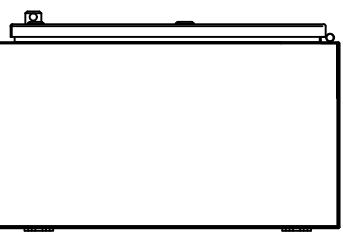


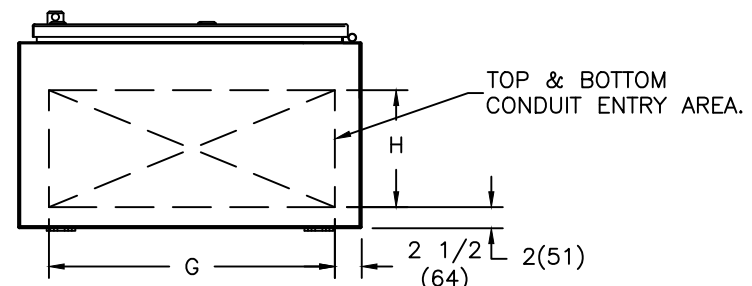
FRONT VIEW

LEFT SIDE VIEW

FRONT VIEW
(400A 4-POLE
ATS SHOWN FOR
REFERENCE)



BOTTOM VIEW



BOTTOM VIEW

WALL MOUNT CABINET DESIGN SHOWN

CABINET DIMENSIONS								
CABINET	A	B	C	D	E	F	G	H
F-1875MPX	46 (1168)	24 (610)	14 1/4 (362)	--	18 (457)	--	19 (483)	6 (152)
F-1829MPX	24 (610)	18 (457)	11 1/4 (286)	--	12 (305)	--	13 (330)	4 (102)

REVISIONS			
REV.	DESCRIPTION	DATE	APPROVED
2	C031728 REVISED DRAWING	12/21/17	YP MAS

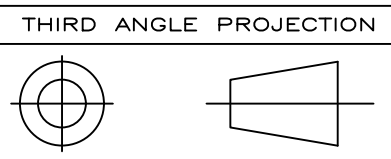
MODEL	AMPERAGE	NO. POLES	NEMA CABINET	LUG RANGE	WIRE BENDING SPACE		WIRE GUTTERS		
					P(TOP)	R(BOTTOM)	S(LEFT)	T(RIGHT)	
ZTS	40-80	2,3	F-1829MPX	#8-3/0 (8-85mm ²)	7 (178)	8 (203)	3 1/2 (89)	5 7/8 (149)	
		4						4 1/2 (114)	
	100-150	2,3	F-1875MPX	#6-250 MCM (13-127mm ²)	14 3/4 (375)	14 5/8 (371)	4 7/8 (124)	5 7/8 (149)	
		4						4 1/2 (114)	
	ZTSD	40 - 80	2	F-1875MPX	#8-3/0 (8-85mm ²)	14 3/4 (375)	14 5/8 (371)	4 7/8 (124)	7 5/8 (194)
			3						4 5/8 (117)
4			2 3/4 (70)						
100-400		2	F-1875MPX	#4-600 MCM (21-304mm ²)	14 3/4 (375)	14 5/8 (371)	4 7/8 (124)	7 5/8 (194)	
		3						4 5/8 (117)	5 9/16 (141)
		4						2 3/4 (70)	
ZTSCT	100-400	2,3	F-1867MPX	#4-600 MCM (21-304mm ²)	15 (381)	13 3/4 (349)	5 (127)	5 3/8 (136)	
		4						3 1/2 (89)	

* WALL MOUNT CABINET
* REFER SHEET#2 FOR F-1867MPX CABINET DETAILS & WEIGHT INFORMATION

NOTES

- MATERIAL: UNLESS OTHERWISE NOTED.
A. 14 GA. (.074) REF. 304SS (F-1875MPX & F-1867MPX)
B. 16 GA. (.06) REF. 304SS (F-1829MPX)
- FINISH: REFER O-4095 DOCUMENT
- ALL DIMENSIONS ARE FOR REFERENCE ONLY. SHOWN IN INCHES (MILLIMETER)
- CONSTRUCTION PER UL 1008 STANDARD.
- SWITCH SUPPLIED WITH STANDARD MECHANICAL LUG, RATED FOR AL&CU CABLES.
- SWITCH IS DESIGNED FOR BOTH TOP AND BOTTOM CABLE ENTRY WITH STANDARD SWITCH CONFIGURATION IS, LOAD AND NORMAL LUGS ON TOP AND EMERGENCY LUGS AT BOTTOM.
- 100% RATED SOLID/SWITCH NEUTRAL PROVIDED PER THE SWITCH CONFIGURATION.
- FOR SEISMIC MOUNTING, REFER TO SHEET NO.3
- 40A-150A ZTS REQUIRE LARGER CABINET(46"X24"X14.3") WITH FOLLOWING OPTIONS A62(T), METER, HT, HH, K, LDS, L11, N1, N2, OCVR-1SG&1SS, P2, SPD, BCI ETC.
- COMPRESSION LUG REQUIRED LARGER CABINET (66" HEIGHT CABINET).
- R15(D), R26(D) ARE ONLY AVAILABLE ON 225A AND UP AMPERAGE UNITS.
- REFER LUG TORQUE LABEL FOR TORQUE INFORMATION.

SIGNATURES		DATE		GE Zenith Controls
MODEL EC		11/01/00		
DETAIL				TITLE
CHECKED				40-400A ATS LAYOUT NEMA 4X ENCLOSURES
ENGRG				
MFG				
QUALITY				
ISSUED				
DRAWING FILE: 50c-1034-1.dwg		FIRST MADE FOR: ZTS(D/CT) 40-400A ATS		SIZE B
MODEL / ASSEMBLY FILE: ZTS(D/CT) (40-400 AMP)		CAGE CODE		
# CTQs		CRITICAL TO QUALITY CHARACTERISTIC		50C-1034
AutoCad Generated		SCALE: N/A		SHEET 1 OF 3



GE PROPRIETARY AND CONFIDENTIAL INFORMATION

This document is the property of General Electric Company ("GE") and contains proprietary information of GE. This document is loaned on the express condition that neither it nor the information contained therein shall be disclosed to others without the express written consent of GE Industrial Systems, and that the information shall be used by the recipient only as approved expressly by GE Industrial Systems. This document shall be returned to GE upon its request. This document may be subject to certain restrictions under U.S. export control laws and regulations.

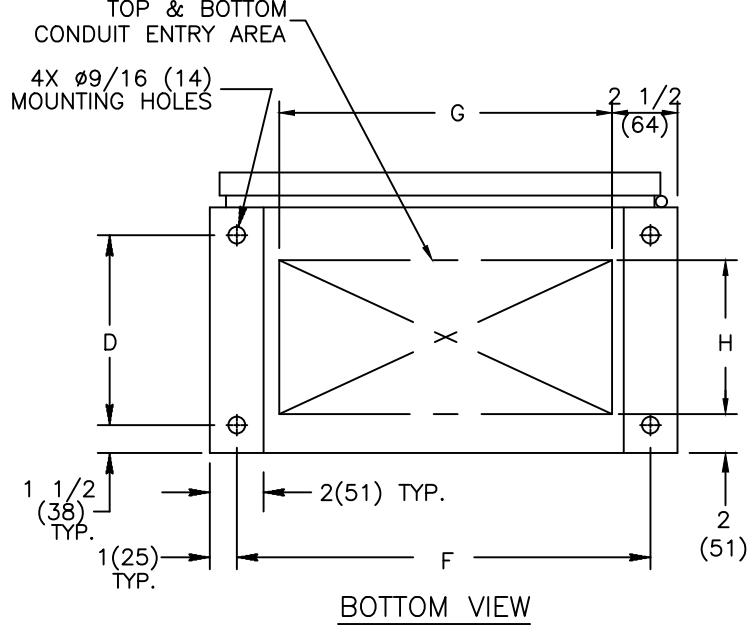
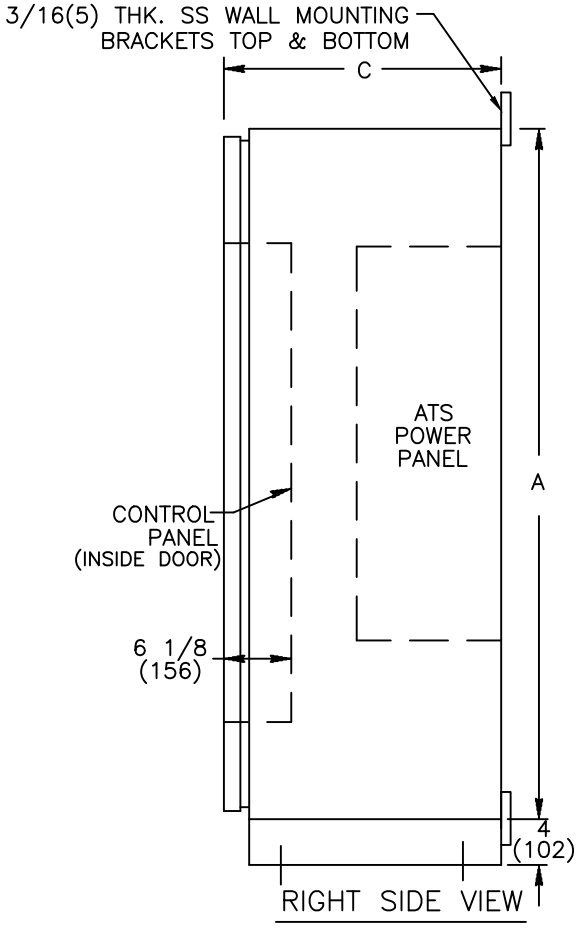
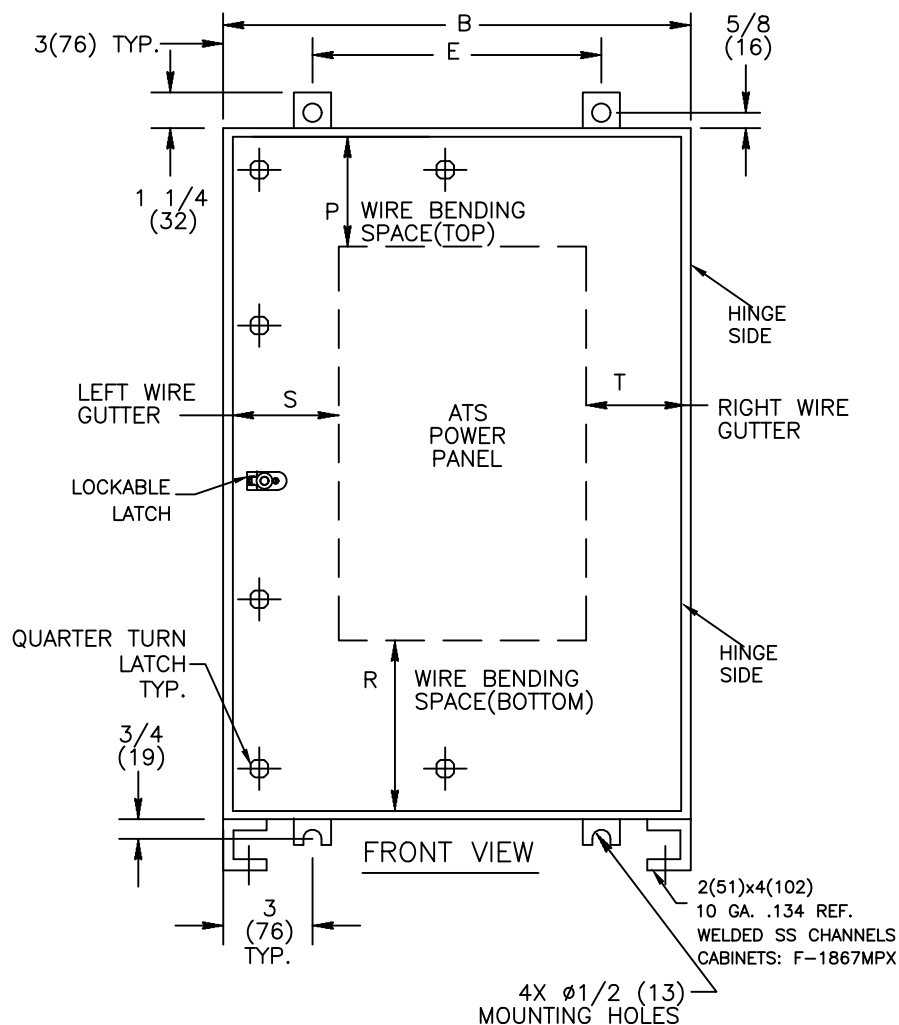
AutoCad Generated

REVISIONS			
REV.	DESCRIPTION	DATE	APPROVED
2	C031728 REVISED DRAWING	12/21/17	YP MAS

PRODUCT WEIGHT INFORMATION:

AMP	POLE	WEIGHT
		LB(kg)
* 40-150 (ZTS)	2,3	143(65)
	4	153(69)
100-400 (ZTSCT)	3	356(161)
	4	377(171)
* 225-400 (ZTS)	2,3	204(93)
	4	214(97)

* WALL MOUNT UNITS.



CABINET DIMENSIONS								
CABINET	A	B	C	D	E	F	G	H
F-1867MPX	62 (1575)	24 (610)	19 1/2 (495)	15 1/2 (394)	18 (457)	22 (559)	19 (483)	14 1/2 (368)

NOTES

- 1. REFER SHEET 1 FOR ALL NOTES

SIGNATURES		DATE		<p>GE Zenith Controls</p> <p>TITLE</p> <p>40-400A ATS LAYOUT NEMA 4X ENCLOSURES</p> <p>FIRST MADE FOR: ZTS(D/CT) 40-400A ATS</p>
MODEL	EC	11/01/00		
DETAIL				
CHECKED				
ENGRG				
MFG				
QUALITY				
ISSUED				
DRAWING FILE: 50c-1034-1.dwg		SIZE	B	DWG NO
MODEL / ASSEMBLY FILE: ZTS(D/CT) (40-400 AMP)		50C-1034		
# CTQs	⊖	CRITICAL TO QUALITY CHARACTERISTIC	SCALE: N/A	SHEET 2 OF 3

THIRD ANGLE PROJECTION

GE PROPRIETARY AND CONFIDENTIAL INFORMATION

This document is the property of General Electric Company ("GE") and contains proprietary information of GE. This document is loaned on the express condition that neither it nor the information contained therein shall be disclosed to others without the express written consent of GE Industrial Systems, and that the information shall be used by the recipient only as approved expressly by GE Industrial Systems. This document shall be returned to GE upon its request. This document may be subject to certain restrictions under U.S. export control laws and regulations.

AutoCad Generated

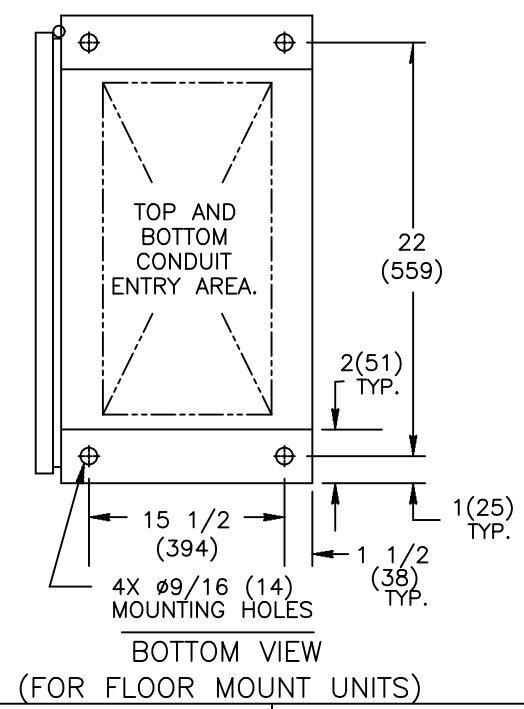
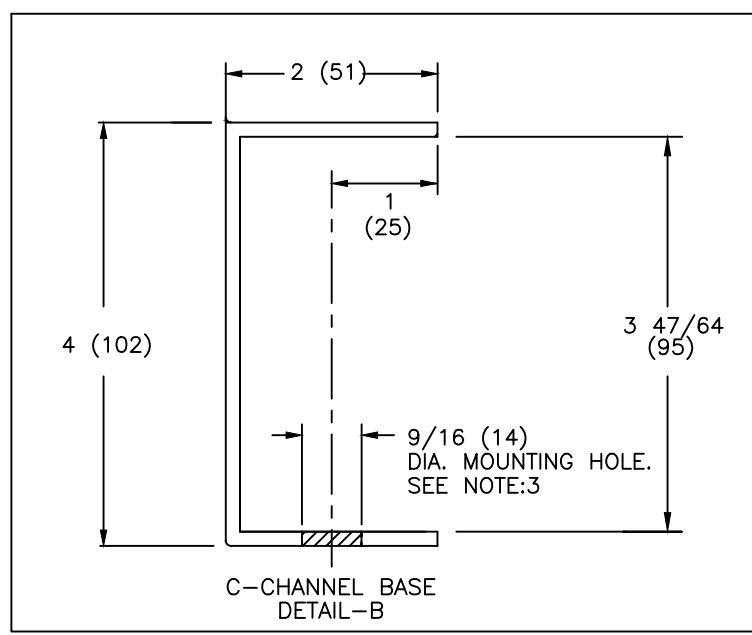
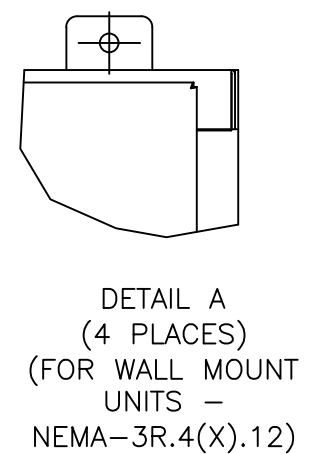
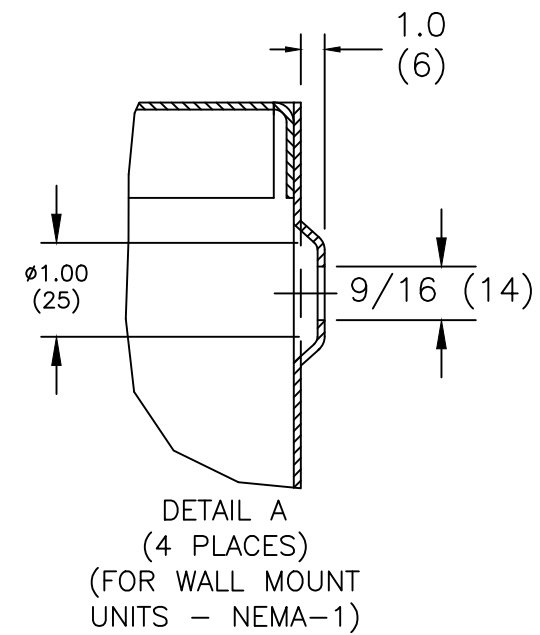
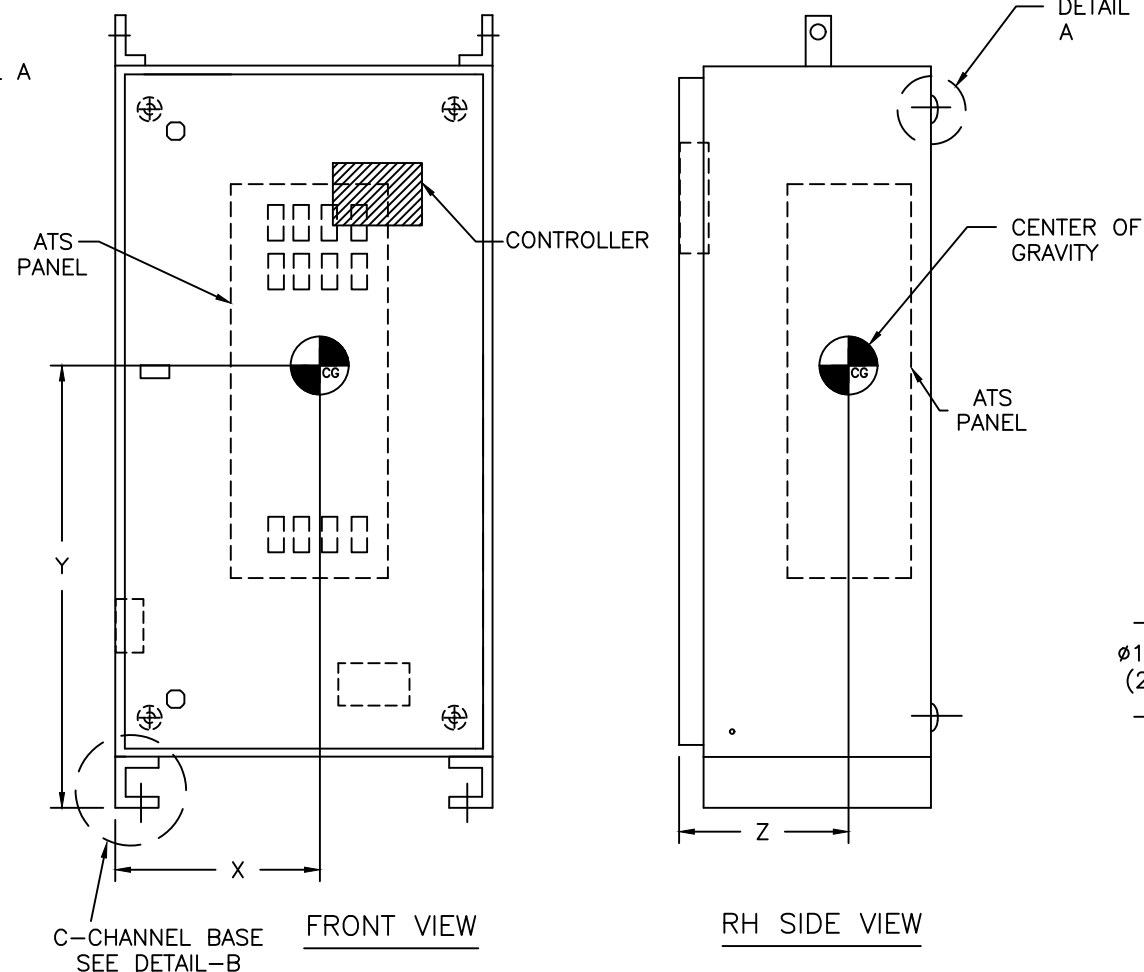
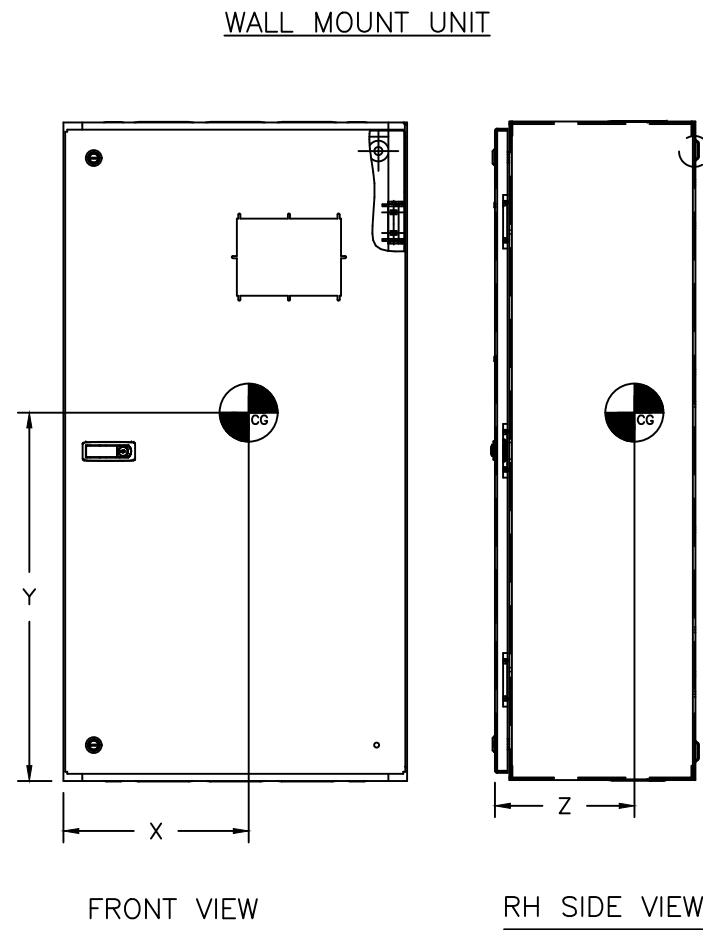
FLOOR MOUNT UNIT

REVISIONS

REV.	DESCRIPTION	DATE	APPROVED
2	C031728 REVISED DRAWING	12/21/17	YP MAS

NOTES:

- ALL DIMENSIONS ARE FOR REFERENCE ONLY AND SHOWN IN INCHES (MILLIMETERS).
- BOLT ENCLOSURE FROM C-CHANNEL BASE (SEE DETAIL B) USING THE FOLLOWING SEISMIC CERTIFIED MOUNTING HARDWARE PER MOUNTING HOLE:
 (HARDWARE PROVIDED BY INSTALLER).
 * 1/2-13 GRADE 5 BOLT TORQUE TO 70 FT-LBS. (95 NEWTON METERS).
 * 1/2-13 STANDARD FLAT WASHER
 * 1/2 (13) HELICAL SPRING LOCK WASHER.
- CENTER OF GRAVITY DIMENSIONS ARE FOR REFERENCE ONLY.
- FOR WORKING CLEARANCE REFER TO NATIONAL AND LOCAL CODES AND STANDARDS.



CENTER OF GRAVITY INFORMATION:

AMP	POLE	CENTER OF GRAVITY in(mm)		
		X	Y	Z
* 40-150 (ZTS)	2,3	11.3	9.5	8.0
	4	(287)	(241)	(203)
100-400 (ZTSCT)	3	12.7	36	14
	4	(322)	(914)	(356)
* 225-400 (ZTS)	2,3	11.6	23.0	9.0
	4	(295)	(584)	(229)

* WALL MOUNT UNITS.

SIGNATURES	DATE
MODEL EC	11/01/00
DETAIL	
CHECKED	
ENGRG	
MFG	
QUALITY	
ISSUED	

GE Zenith Controls

TITLE: SEISMIC MOUNTING DETAILS 40-400A ATS

FIRST MADE FOR: ZTS(D/CT) 40-400A ATS

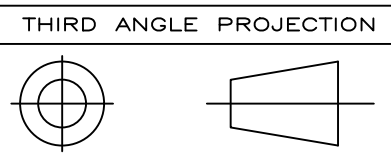
DRAWING FILE: 50C-1034-1.dwg
 MODEL / ASSEMBLY FILE: ZTS(D/CT) (40-400 AMP)

SIZE: B
 CAGE CODE: DWG NO: 50C-1034

CTQs: CRITICAL TO QUALITY CHARACTERISTIC
 SCALE: N/A
 SHEET 3 OF 3

GE PROPRIETARY AND CONFIDENTIAL INFORMATION

This document is the property of General Electric Company ("GE") and contains proprietary information of GE. This document is loaned on the express condition that neither it nor the information contained therein shall be disclosed to others without the express written consent of GE Industrial Systems, and that the information shall be used by the recipient only as approved expressly by GE Industrial Systems. This document shall be returned to GE upon its request. This document may be subject to certain restrictions under U.S. export control laws and regulations.



AutoCad Generated