

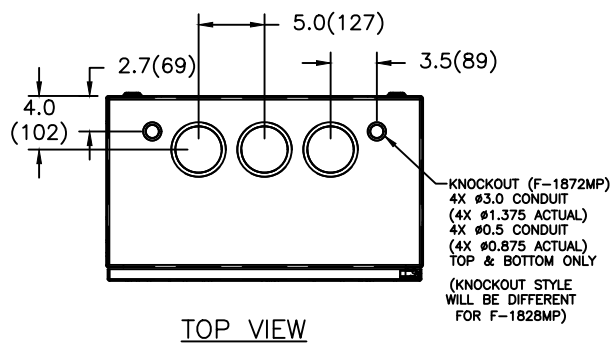
REVISIONS			
REV.	DESCRIPTION	DATE	APPROVED
3	C076901	09/20/19	AR MAS

MODEL	AMPERAGE	NO. POLES	NEMA CABINET	LUG RANGE	WIRE BENDING SPACE		WIRE GUTTERS	
					P(TOP)	R(BOTTOM)	S(LEFT)	T(RIGHT)
ZTS	40-80	2,3	F-1828MP*	#8-3/0 (8-85mm ²)	7 (178)	8 (203)	3 1/2 (89)	5 7/8 (149)
		4						4 1/2 (114)
	100-150	2,3	F-1828MP*	#6-250 MCM (13-127mm ²)	7 (178)	8 (203)	3 1/2 (89)	5 7/8 (149)
		4						4 1/2 (114)
	225-400	2	F-1872MP*	#4-600 MCM (21-304mm ²)	14 3/4 (375)	14 5/8 (371)	4 7/8 (124)	7 5/8 (194)
								3
4		2 3/4 (70)	5 9/16 (141)					
				40-80	2	F-1872MP*	#8-3/0 (8-85mm ²)	14 3/4 (375)
3	4 5/8 (117)	5 9/16 (141)						
		4	2 3/4 (70)		5 9/16 (141)			
100-400	2					F-1872MP*	#4-600 MCM (21-304mm ²)	14 3/4 (375)
		3	4 5/8 (117)	5 9/16 (141)				
4	2 3/4 (70)			5 9/16 (141)				
		100-400	2,3		F-1866MP	#4-600 MCM (21-304mm ²)	15 (342)	13 1/2 (385)
4	6 (152)		2 1/4 (57)					

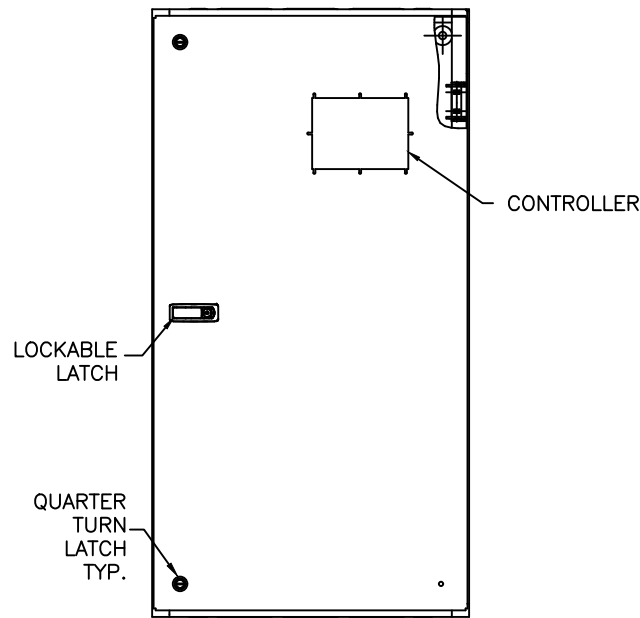
* WALL MOUNT CABINET
 - REFER SHEET#2 FOR F-1866MP CABINET DETAILS & WEIGHT INFORMATION

NOTES:

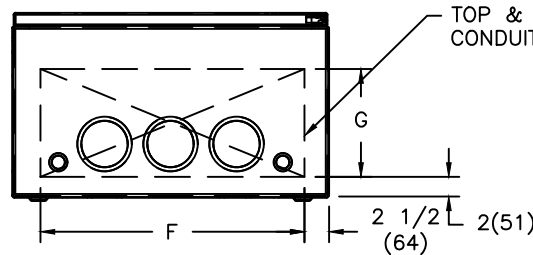
- MATERIAL: UNLESS OTHERWISE NOTED.
 A. 14 GA. (.074) REF. 1018 HRS (F-1872MP & F-1866MP)
 B. 16 GA. (.06) REF. 1018 HRS (F-1828MP)
- FINISH: ANSI 61 GRAY
- ALL DIMENSIONS ARE FOR REFERENCE ONLY. SHOWN IN INCHES (MILLIMETER)
- CONSTRUCTION PER UL 1008 STANDARD.
- SWITCH SUPPLIED WITH STANDARD MECHANICAL LUG, RATED FOR AL&CU CABLES.
- SWITCH IS DESIGNED FOR BOTH TOP AND BOTTOM CABLE ENTRY WITH STANDARD SWITCH CONFIGURATION IS, LOAD AND NORMAL LUGS ON TOP AND EMERGENCY LUGS AT BOTTOM.
- 100% RATED SOLID/SWITCH NEUTRAL PROVIDED PER THE SWITCH CONFIGURATION.
- FOR SEISMIC MOUNTING, REFER TO SHEET NO.3
- 40A-150A ZTS REQUIRE LARGER CABINET(46"x24"x14") WITH FOLLOWING OPTIONS
 A62(T), METER, HT, HH, K, LDS, L11, N1, N2, OCVR-1SG&1SS, P2, SPD, BCI ETC.
- COMPRESSION LUG REQUIRED LARGER CABINET (66" HEIGHT CABINET).
- R15(D), R26(D) ARE ONLY AVAILABLE ON 225A AND UP AMPERAGE UNITS.
- REFER LUG TORQUE LABEL FOR TORQUE INFORMATION.



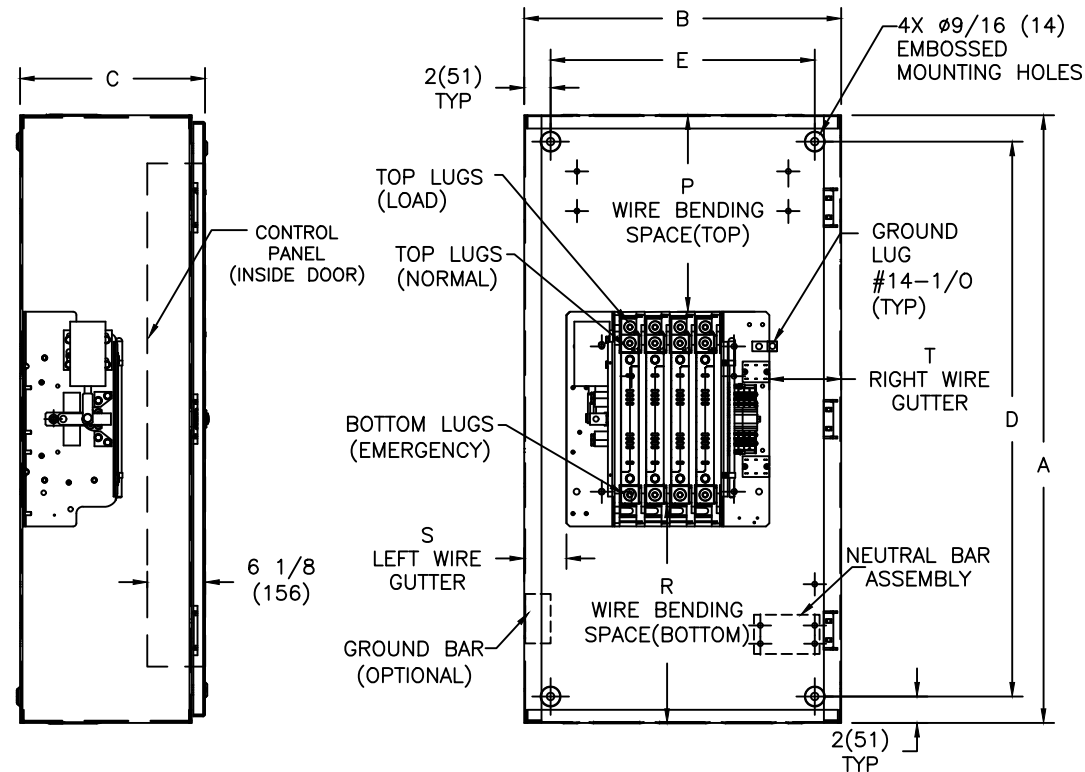
TOP VIEW



FRONT VIEW



BOTTOM VIEW



FRONT VIEW
(400A 4-POLE
ATS SHOWN FOR
REFERENCE)

LEFT SIDE VIEW

* WALL MOUNT CABINET DESIGN SHOWN *

CABINET	CABINET DIMENSIONS									
	A	B	C	D	E	F	G	H	J	
F-1872MP	46 (1168)	24 (610)	14 (356)	42 (1067)	20 (508)	19 (483)	6 (152)	--	--	
F-1828MP	24 (610)	18 (457)	11 (279)	20 (508)	16 (406)	13 (330)	4 (102)	--	--	

THIRD ANGLE PROJECTION

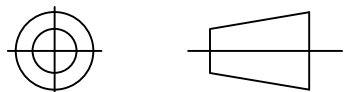


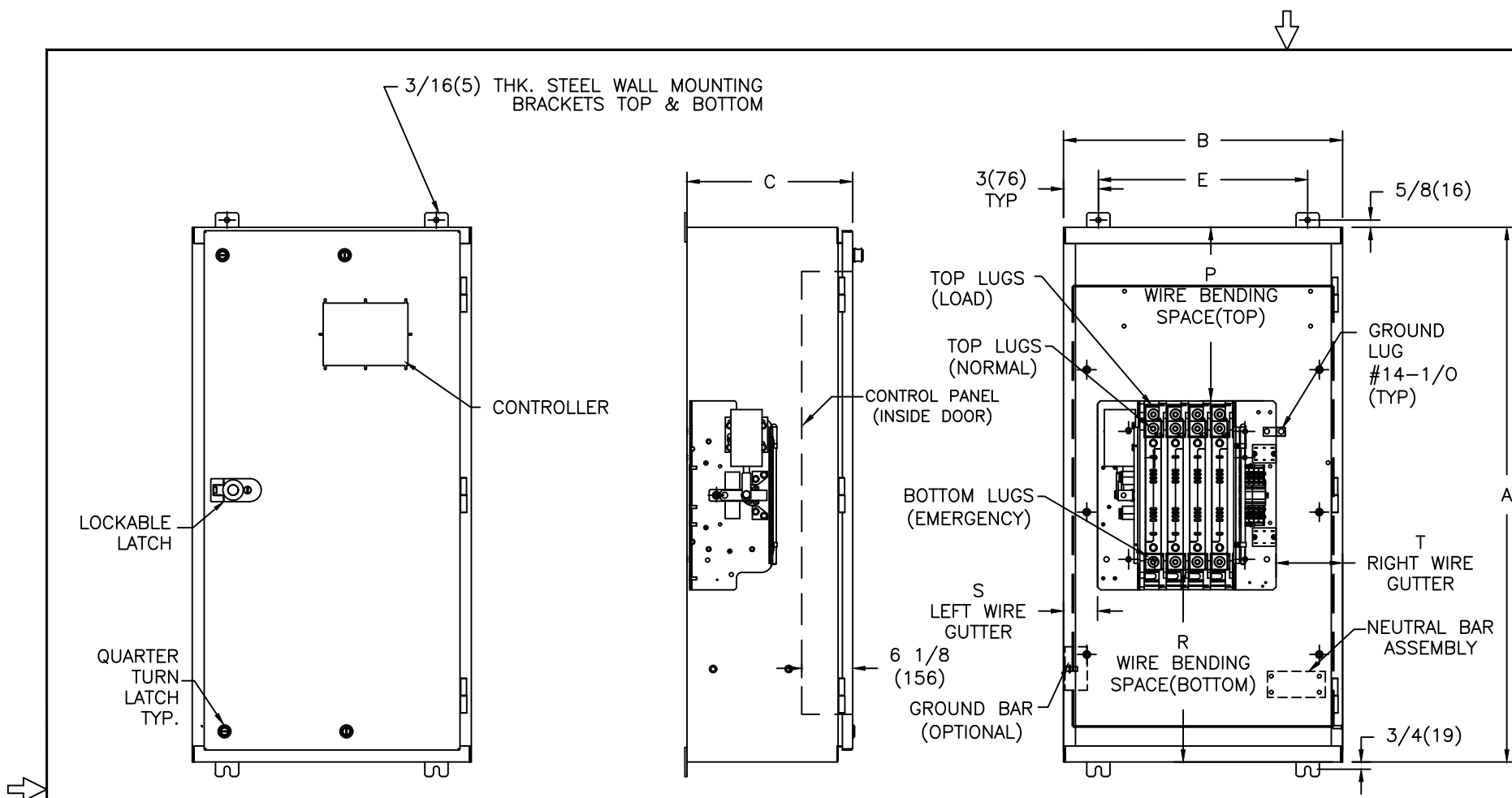
ABB PROPRIETARY AND CONFIDENTIAL INFORMATION

The information contained in the document has to be kept strictly confidential. Any unauthorized use, reproduction, distribution or disclosure to third parties is strictly forbidden. ABB reserves all rights regarding intellectual Property Rights. Copyright 2018 ABB. All rights reserved

AutoCad Generated

SIGNATURES	DATE
MODEL EC	11/01/00
DETAIL	
CHECKED	
ENGRG	
MFG	
QUALITY	
ISSUED	
DRAWING FILE: 50c-1034-.dwg	
MODEL / ASSEMBLY FILE: ZTS(D/CT) (40-400 AMP)	
# CTQs	

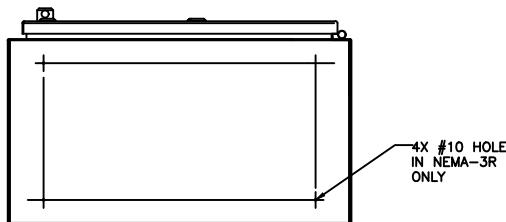
TITLE	
ABB	
40-400A ATS LAYOUT ZTS(D) NEMA 1 ENCLOSURE	
FIRST MADE FOR: FOR ZTS(D) 40-400A ATS	
SIZE B	DWG NO 50C-1034
SCALE: N/A	SHEET 1 OF 3



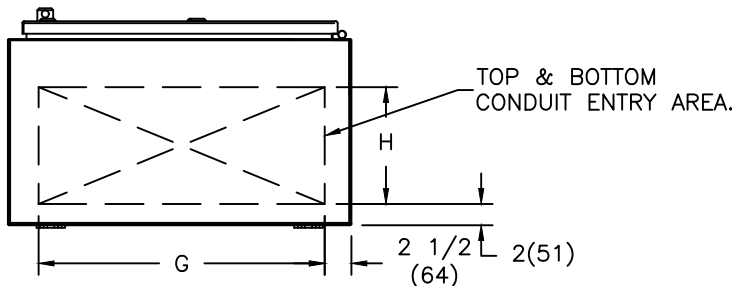
FRONT VIEW

LEFT SIDE VIEW

FRONT VIEW
(400A 4-POLE
ATS SHOWN FOR
REFERENCE)



BOTTOM VIEW



BOTTOM VIEW

WALL MOUNT CABINET DESIGN SHOWN

CABINET DIMENSIONS								
CABINET	A	B	C	D	E	F	G	H
F-1875MP	46 (1168)	24 (610)	14 1/4 (362)	--	18 (457)	--	19 (483)	6 (152)
F-1829MP	24 (610)	18 (457)	11 1/4 (286)	--	12 (305)	--	13 (330)	4 (102)

MODEL	AMPERAGE	NO. POLES	NEMA CABINET	LUG RANGE	WIRE BENDING SPACE		WIRE GUTTERS					
					P(TOP)	R(BOTTOM)	S(LEFT)	T(RIGHT)				
ZTS	40-80	2,3	F-1829MP*	#8-3/0 (8-85mm ²)	7 (178)	8 (203)	3 1/2 (89)	5 7/8 (149)				
		4						4 1/2 (114)				
	100-150	2,3		#6-250 MCM (13-127mm ²)				5 7/8 (149)				
		4						4 1/2 (114)				
	225-400	2		F-1875MP*				#4-600 MCM (21-304mm ²)	14 3/4 (375)	14 5/8 (371)	4 7/8 (124)	7 5/8 (194)
		3									4 5/8 (117)	5 9/16 (141)
4		2 3/4 (70)	5 9/16 (141)									
ZTSD	40-80	2	F-1875MP*	#8-3/0 (8-85mm ²)	14 3/4 (375)	14 5/8 (371)	4 7/8 (124)	7 5/8 (194)				
		3					4 5/8 (117)	5 9/16 (141)				
		4					2 3/4 (70)					
	100-400	2					#4-600 MCM (21-304mm ²)	4 7/8 (124)	7 5/8 (194)			
		3						4 5/8 (117)	5 9/16 (141)			
		4						2 3/4 (70)				
ZTSCT	100-400	2,3	F-1867MP	#4-600 MCM (21-304mm ²)	15 (381)	13 3/4 (349)	5 (127)	5 3/8 (136)				
		4					3 1/2 (89)					

* WALL MOUNT CABINET
* REFER SHEET#2 FOR F-1867MP CABINET DETAILS & WEIGHT INFORMATION

NOTES

- MATERIAL: UNLESS OTHERWISE NOTED.
A. 14 GA. (.074) REF. 1018 HRS (F-1875MP & F-1867MP)
B. 16 GA. (.06) REF. 1018 HRS (F-1829MP)
- FINISH: ANSI 61 GRAY
- ALL DIMENSIONS ARE FOR REFERENCE ONLY. SHOWN IN INCHES (MILLIMETER)
- CONSTRUCTION PER UL 1008 STANDARD.
- SWITCH SUPPLIED WITH STANDARD MECHANICAL LUG, RATED FOR AL&CU CABLES.
- SWITCH IS DESIGNED FOR BOTH TOP AND BOTTOM CABLE ENTRY WITH STANDARD SWITCH CONFIGURATION IS, LOAD AND NORMAL LUGS ON TOP AND EMERGENCY LUGS AT BOTTOM.
- 100% RATED SOLID/SWITCH NEUTRAL PROVIDED PER THE SWITCH CONFIGURATION.
- FOR SEISMIC MOUNTING, REFER TO SHEET NO.3
- 40A-150A ZTS REQUIRE LARGER CABINET(46"X24"X14.3") WITH FOLLOWING OPTIONS A62(T), METER, HT, HH, K, LDS, L11, N1, N2, OCVR-1SG&1SS, P2, SPD, BCI ETC.
- COMPRESSION LUG REQUIRED LARGER CABINET (66" HEIGHT CABINET).
- R15(D), R26(D) ARE ONLY AVAILABLE ON 225A AND UP AMPERAGE UNITS.
- REFER LUG TORQUE LABEL FOR TORQUE INFORMATION.

SIGNATURES		DATE		40-400A ATS LAYOUT NEMA 3R, 4 & 12 ENCL.	
MODEL	EC	11/01/00			
DETAIL					
CHECKED					
ENGRG					
MFG				TITLE	
QUALITY					
ISSUED				FIRST MADE FOR: ZTS(D/CT) 40-400A ATS	
DRAWING FILE:	50c-1034.dwg		SIZE	CAGE CODE	DWG NO
MODEL / ASSEMBLY FILE:	ZTS(D/CT) (40-400 AMP)		B		50C-1034
# CTQs	⊖	CRITICAL TO QUALITY CHARACTERISTIC	SCALE:	N/A	SHEET 1A OF 3

THIRD ANGLE PROJECTION

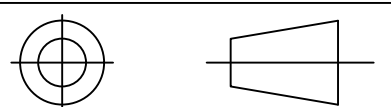
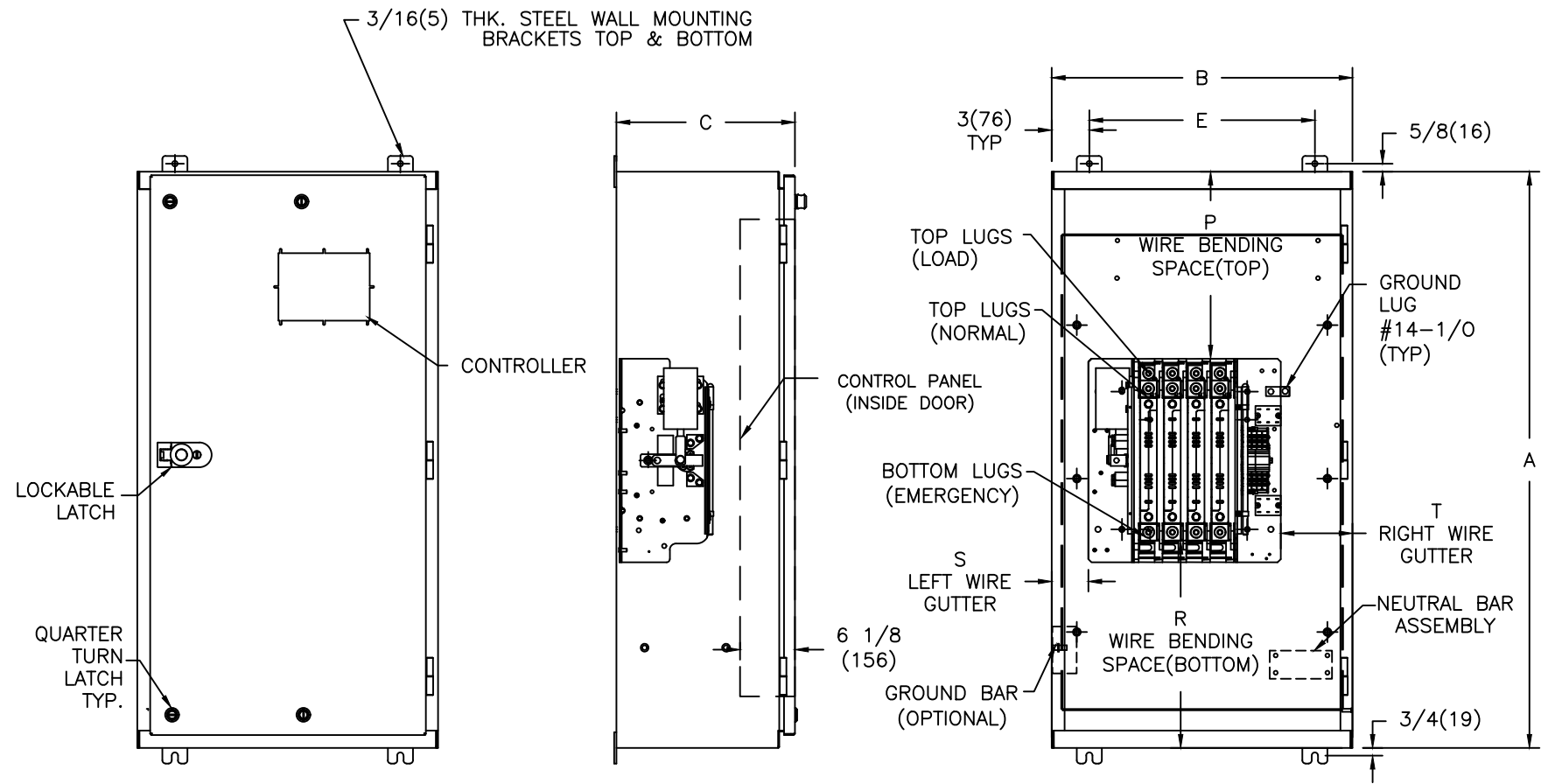


ABB PROPRIETARY AND CONFIDENTIAL INFORMATION
The information contained in the document has to be kept strictly confidential. Any unauthorized use, reproduction, distribution or disclosure to third parties is strictly forbidden. ABB reserves all rights regarding intellectual Property Rights. Copyright 2018 ABB. All rights reserved

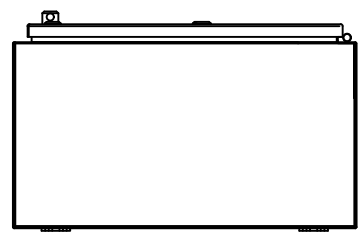
AutoCad Generated



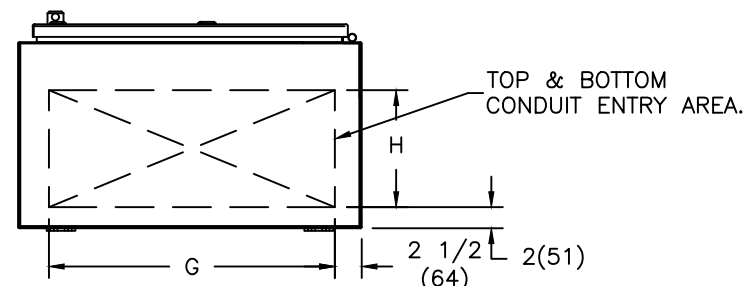
FRONT VIEW

LEFT SIDE VIEW

FRONT VIEW
(400A 4-POLE
ATS SHOWN FOR
REFERENCE)



BOTTOM VIEW



BOTTOM VIEW

WALL MOUNT CABINET DESIGN SHOWN

CABINET DIMENSIONS								
CABINET	A	B	C	D	E	F	G	H
F-1875MPX	46 (1168)	24 (610)	14 1/4 (362)	--	18 (457)	--	19 (483)	6 (152)
F-1829MPX	24 (610)	18 (457)	11 1/4 (286)	--	12 (305)	--	13 (330)	4 (102)

MODEL	AMPERAGE	NO. POLES	NEMA CABINET	LUG RANGE	WIRE BENDING SPACE		WIRE GUTTERS					
					P(TOP)	R(BOTTOM)	S(LEFT)	T(RIGHT)				
ZTS	40-80	2,3	F-1829MPX*	#8-3/0 (8-85mm ²)	7 (178)	8 (203)	3 1/2 (89)	5 7/8 (149)				
		4						4 1/2 (114)				
	100-150	2,3		#6-250 MCM (13-127mm ²)				5 7/8 (149)				
		4						4 1/2 (114)				
	225-400	2		F-1875MPX*				#4-600 MCM (21-304mm ²)	14 3/4 (375)	14 5/8 (371)	4 7/8 (124)	7 5/8 (194)
											3	4 5/8 (117)
4		2 3/4 (70)										
ZTSD	40 - 80	2	F-1875MPX*	#8-3/0 (8-85mm ²)	14 3/4 (375)	14 5/8 (371)	4 7/8 (124)	7 5/8 (194)				
		3					4 5/8 (117)	5 9/16 (141)				
		4					2 3/4 (70)					
	100-400	2					#4-600 MCM (21-304mm ²)	4 7/8 (124)	7 5/8 (194)			
		3						4 5/8 (117)	5 9/16 (141)			
		4						2 3/4 (70)				
ZTSCT	100-400	2,3	F-1867MPX	#4-600 MCM (21-304mm ²)	15 (381)	13 3/4 (349)	5 3/8 (136)					
		4					3 1/2 (89)					

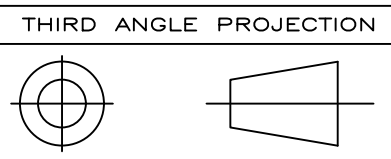
* WALL MOUNT CABINET
* REFER SHEET#2 FOR F-1867MPX CABINET DETAILS & WEIGHT INFORMATION

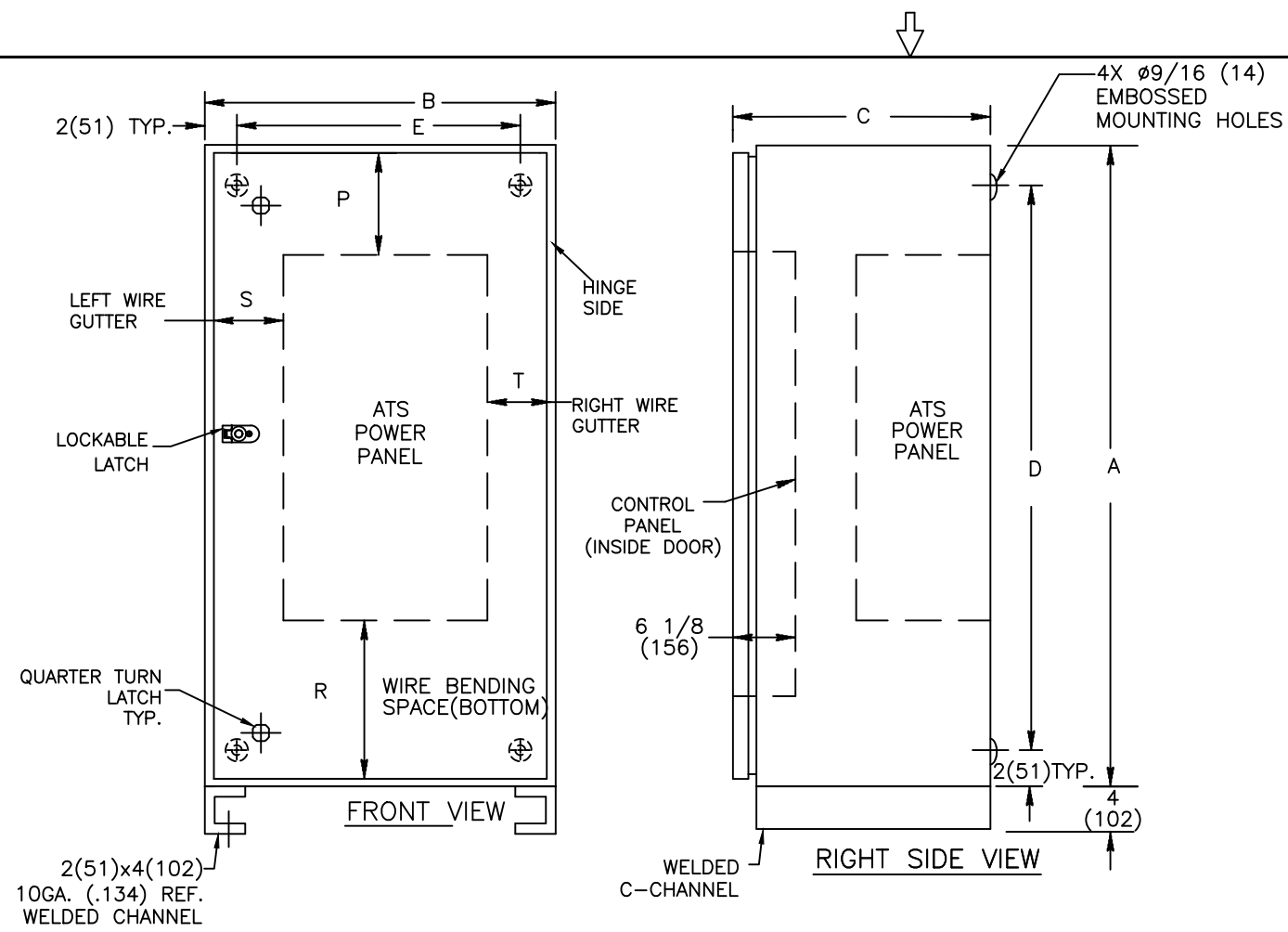
NOTES

- MATERIAL: UNLESS OTHERWISE NOTED.
A. 14 GA. (.074) REF. 304SS (F-1875MPX & F-1867MPX)
B. 16 GA. (.06) REF. 304SS (F-1829MPX)
- FINISH: REFER O-4095 DOCUMENT
- ALL DIMENSIONS ARE FOR REFERENCE ONLY. SHOWN IN INCHES (MILLIMETER)
- CONSTRUCTION PER UL 1008 STANDARD.
- SWITCH SUPPLIED WITH STANDARD MECHANICAL LUG, RATED FOR AL&CU CABLES.
- SWITCH IS DESIGNED FOR BOTH TOP AND BOTTOM CABLE ENTRY WITH STANDARD SWITCH CONFIGURATION IS, LOAD AND NORMAL LUGS ON TOP AND EMERGENCY LUGS AT BOTTOM.
- 100% RATED SOLID/SWITCH NEUTRAL PROVIDED PER THE SWITCH CONFIGURATION.
- FOR SEISMIC MOUNTING, REFER TO SHEET NO.3
- 40A-150A ZTS REQUIRE LARGER CABINET(46"X24"X14.3") WITH FOLLOWING OPTIONS A62(T), METER, HT, HH, K, LDS, L11, N1, N2, OCVR-1SG&1SS, P2, SPD, BCI ETC.
- COMPRESSION LUG REQUIRED LARGER CABINET (66" HEIGHT CABINET).
- R15(D), R26(D) ARE ONLY AVAILABLE ON 225A AND UP AMPERAGE UNITS.
- REFER LUG TORQUE LABEL FOR TORQUE INFORMATION.

SIGNATURES		DATE		 40-400A ATS LAYOUT NEMA 4X ENCLOSURES
MODEL	EC	11/01/00		
DETAIL				
CHECKED				
ENGRG				
MFG				
QUALITY				
ISSUED				
DRAWING FILE: 50c-1034.dwg		FIRST MADE FOR: ZTS(D/CT) 40-400A ATS		
MODEL / ASSEMBLY FILE: ZTS(D/CT) (40-400 AMP)		SIZE	CAGE CODE	DWG NO
		B		50C-1034
# CTQs	⊖	CRITICAL TO QUALITY CHARACTERISTIC		SCALE: N/A
AutoCad Generated			SHEET	1B OF 3

ABB PROPRIETARY AND CONFIDENTIAL INFORMATION
The information contained in the document has to be kept strictly confidential. Any unauthorized use, reproduction, distribution or disclosure to third parties is strictly forbidden. ABB reserves all rights regarding intellectual Property Rights. Copyright 2018 ABB. All rights reserved

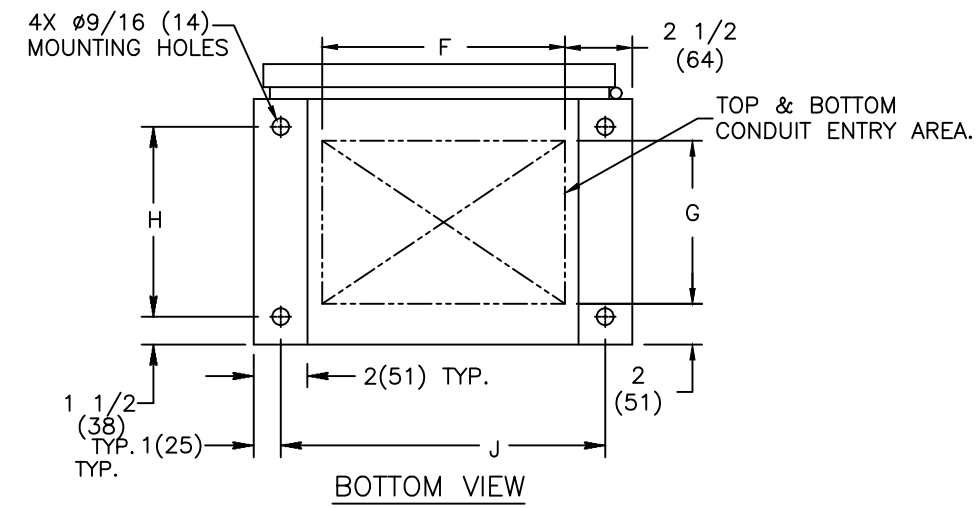




PRODUCT WEIGHT INFORMATION:

AMP	POLE	WEIGHT
		LB(kg)
* 40-150 (ZTS)	2,3	120(59)
	4	126(57)
100-400 (ZTSCT)	3	300(136)
	4	320(145)
* 225-400 (ZTS)	2,3	168(76)
	4	180(82)

* WALL MOUNT UNITS.



* F-1866MP CABINET DETAIL SHOWN *

CABINET DIMENSIONS									
CABINET	A	B	C	D	E	F	G	H	J
F-1866MP	62 (1575)	24 (610)	19 1/2 (495)	58 (1473)	20 (508)	19 (483)	14 1/2 (368)	15 1/2 (394)	22 (559)

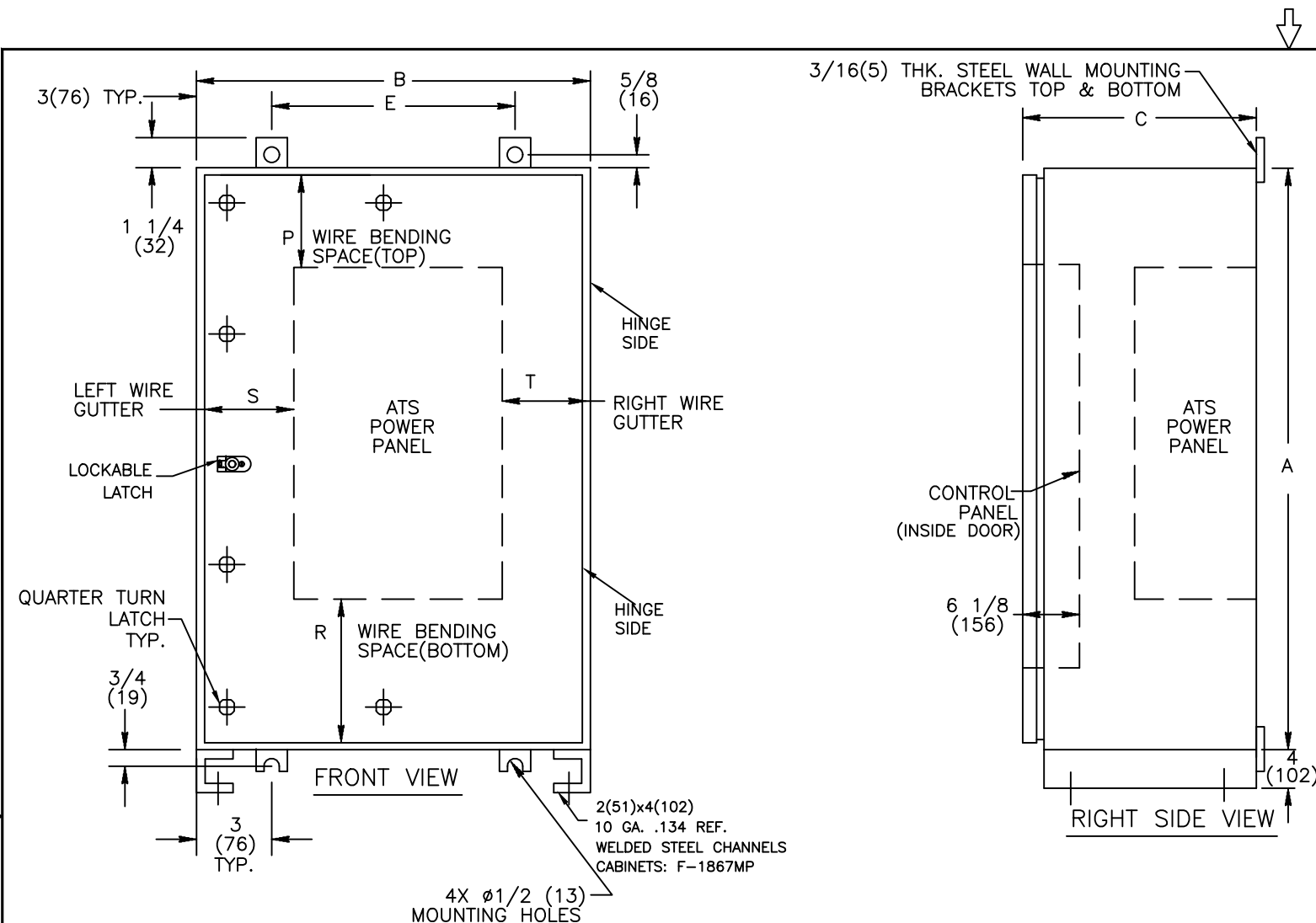
- NOTES:**
1. REFER SHEET 1 FOR ALL NOTES

SIGNATURES		DATE		ABB
MODEL	EC	11/01/00		
TITLE				
100-400A ATS LAYOUT ZTSCT -NEMA 1 ENCLOSURE				
FIRST MADE FOR: FOR ZTSCT 100-400A ATS				
DRAWING FILE: 50c-1034-.dwg		SIZE	CAGE CODE	DWG NO
MODEL / ASSEMBLY FILE: ZTS(D/CT) (40-400 AMP)		B		50C-1034
# CTQs	⊖	CRITICAL TO QUALITY CHARACTERISTIC		SCALE: N/A
AutoCad Generated				SHEET 2 OF 3

THIRD ANGLE PROJECTION

ABB PROPRIETARY AND CONFIDENTIAL INFORMATION
The information contained in the document has to be kept strictly confidential. Any unauthorized use, reproduction, distribution or disclosure to third parties is strictly forbidden. ABB reserves all rights regarding intellectual Property Rights. Copyright 2018 ABB. All rights reserved

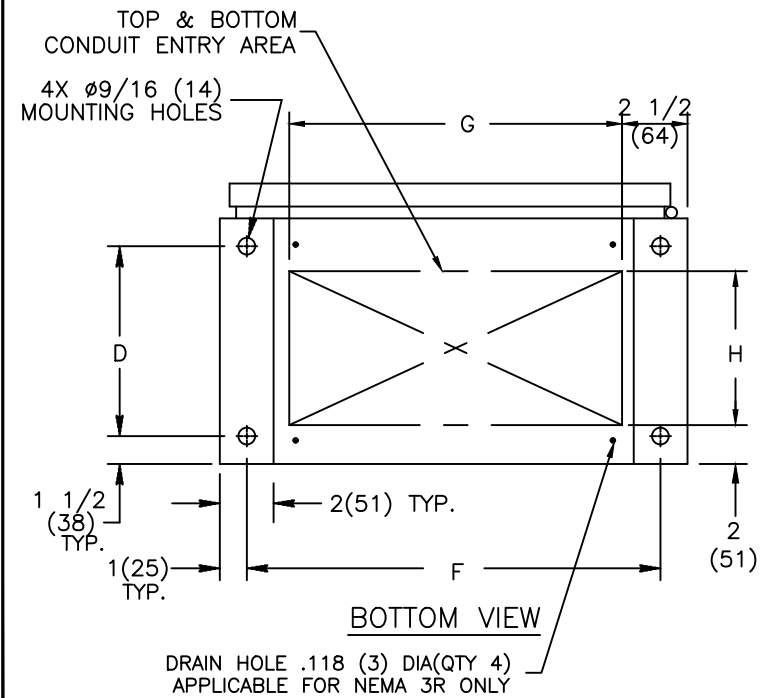




PRODUCT WEIGHT INFORMATION:

AMP	POLE	WEIGHT
		LB(kg)
* 40-150 (ZTS)	2,3	140(64)
	4	150(68)
100-400 (ZTSCT)	3	350(159)
	4	370(168)
* 225-400 (ZTS)	2,3	200(91)
	4	210(95)

* WALL MOUNT UNITS.



CABINET DIMENSIONS								
CABINET	A	B	C	D	E	F	G	H
F-1867MP	62 (1575)	24 (610)	19 1/2 (495)	15 1/2 (394)	18 (457)	22 (559)	19 (483)	14 1/2 (368)

NOTES

- 1. REFER SHEET 1 FOR ALL NOTES

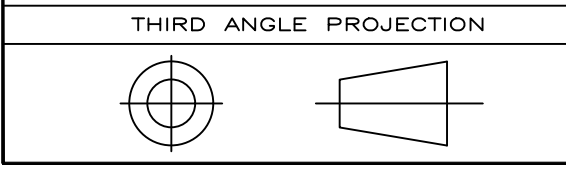


ABB PROPRIETARY AND CONFIDENTIAL INFORMATION
 The information contained in the document has to be kept strictly confidential. Any unauthorized use, reproduction, distribution or disclosure to third parties is strictly forbidden. ABB reserves all rights regarding intellectual Property Rights. Copyright 2018 ABB. All rights reserved

AutoCad Generated

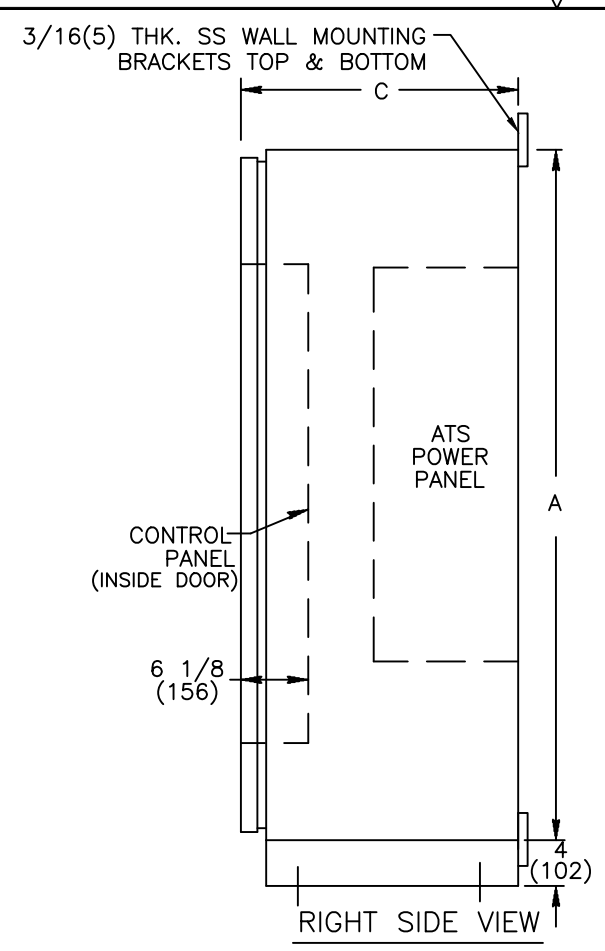
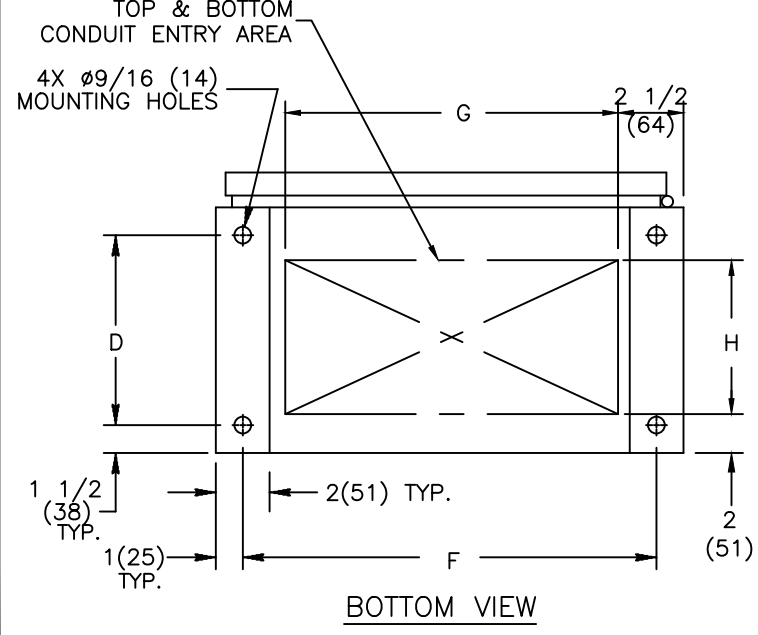
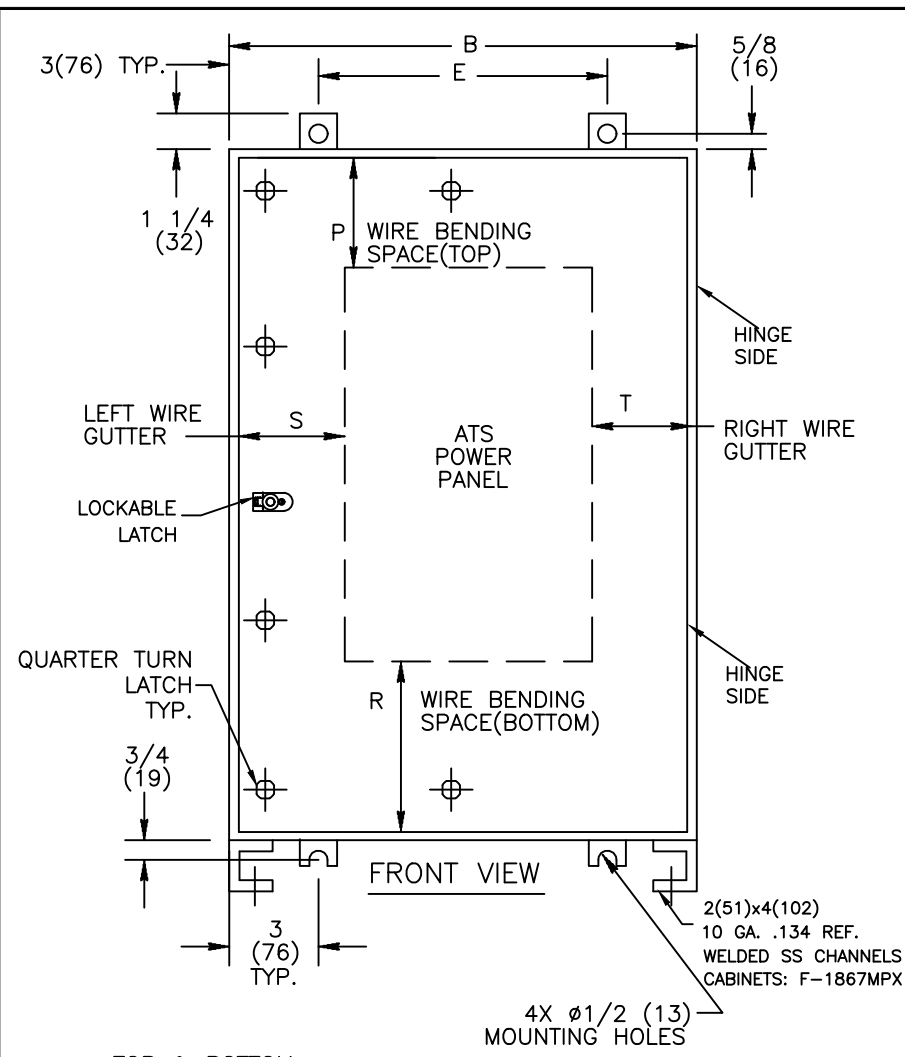
SIGNATURES		DATE
MODEL	EC	11/01/00
DETAIL		
CHECKED		
ENGRG		
MFG		
QUALITY		
ISSUED		

ABB

TITLE
 40-400A ATS LAYOUT
 NEMA 3R, 4 & 12 ENCL.

FIRST MADE FOR: ZTS(D/CT) 40-400A ATS

DRAWING FILE: 50c-1034.dwg	SIZE B	CAGE CODE	DWG NO
MODEL / ASSEMBLY FILE: ZTS(D/CT) (40-400 AMP)	50C-1034		
# CTQs	CRITICAL TO QUALITY CHARACTERISTIC	SCALE: N/A	SHEET 2A OF 3



PRODUCT WEIGHT INFORMATION:

AMP	POLE	WEIGHT
		LB(kg)
* 40-150 (ZTS)	2,3	143(65)
	4	153(69)
100-400 (ZTSCT)	3	356(161)
	4	377(171)
* 225-400 (ZTS)	2,3	204(93)
	4	214(97)

* WALL MOUNT UNITS.

NOTES

- REFER SHEET 1 FOR ALL NOTES

CABINET DIMENSIONS								
CABINET	A	B	C	D	E	F	G	H
F-1867MPX	62 (1575)	24 (610)	19 1/2 (495)	15 1/2 (394)	18 (457)	22 (559)	19 (483)	14 1/2 (368)

SIGNATURES		DATE		<p style="text-align: center; font-size: 1.2em;">40-400A ATS LAYOUT NEMA 4X ENCLOSURES</p>	
MODEL	EC	11/01/00			
DETAIL					
CHECKED					
ENGRG					
MFG				TITLE	
QUALITY				FIRST MADE FOR: ZTS(D/CT) 40-400A ATS	
ISSUED				SIZE	
DRAWING FILE:	50c-1034.dwg		CAGE CODE	DWG NO	
MODEL / ASSEMBLY FILE:	ZTS(D/CT) (40-400 AMP)		B	50C-1034	
# CTQs	⊖	CRITICAL TO QUALITY CHARACTERISTIC		SCALE: N/A	
AutoCad Generated				SHEET	2B OF 3

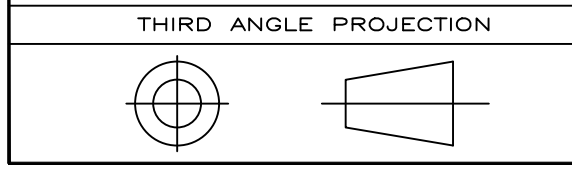
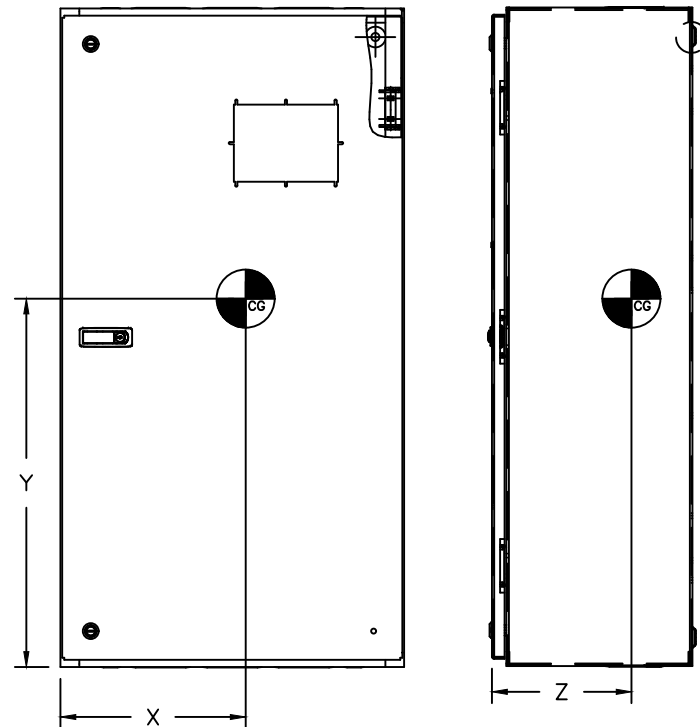


ABB PROPRIETARY AND CONFIDENTIAL INFORMATION

The information contained in the document has to be kept strictly confidential. Any unauthorized use, reproduction, distribution or disclosure to third parties is strictly forbidden. ABB reserves all rights regarding intellectual Property Rights. Copyright 2018 ABB. All rights reserved

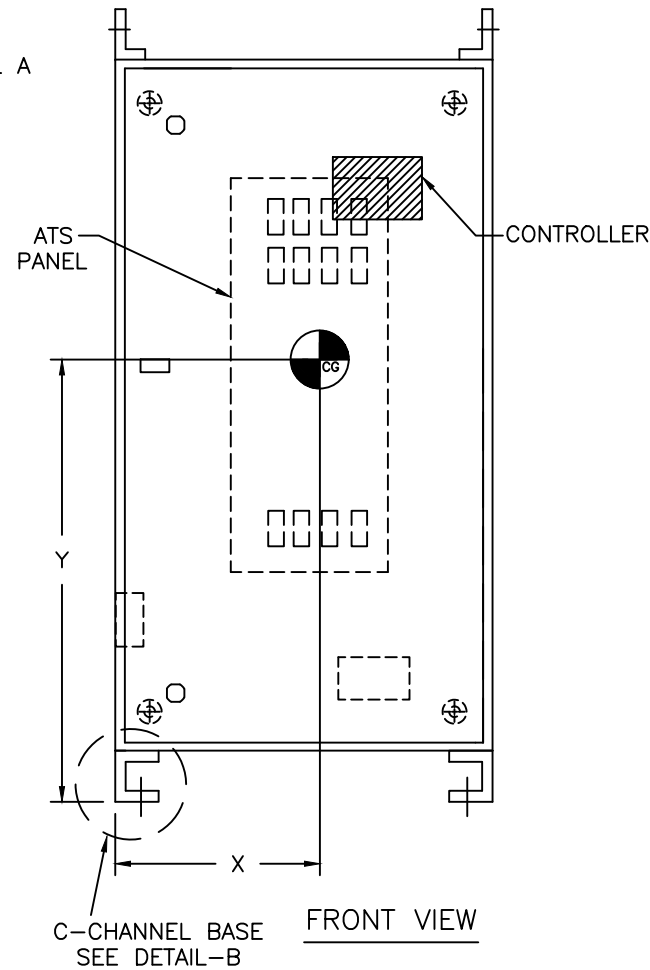
FLOOR MOUNT UNIT

WALL MOUNT UNIT



FRONT VIEW

RH SIDE VIEW

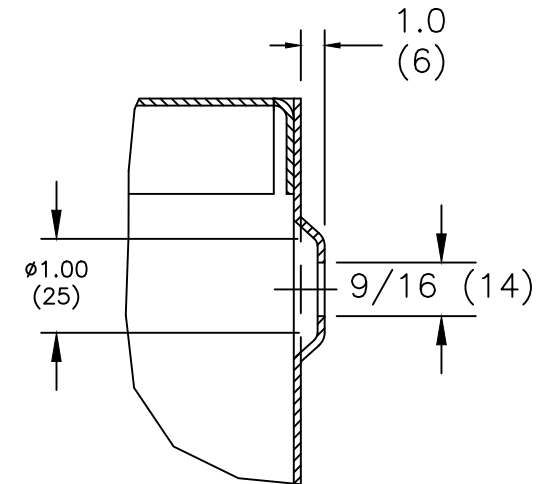


FRONT VIEW

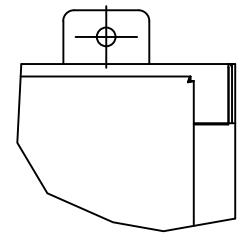
RH SIDE VIEW

NOTES:

1. ALL DIMENSIONS ARE FOR REFERENCE ONLY AND SHOWN IN INCHES (MILLIMETERS).
2. BOLT ENCLOSURE FROM C-CHANNEL BASE (SEE DETAIL B) USING THE FOLLOWING SEISMIC CERTIFIED MOUNTING HARDWARE PER MOUNTING HOLE:
 * 1/2-13 GRADE 5 BOLT TORQUE TO 70 FT-LBS. (95 NEWTON METERS).
 * 1/2-13 STANDARD FLAT WASHER
 * 1/2 (13) HELICAL SPRING LOCK WASHER.
3. CENTER OF GRAVITY DIMENSIONS ARE FOR REFERENCE ONLY.
4. FOR WORKING CLEARANCE REFER TO NATIONAL AND LOCAL CODES AND STANDARDS.



DETAIL A
(4 PLACES)
(FOR WALL MOUNT
UNITS - NEMA-1)

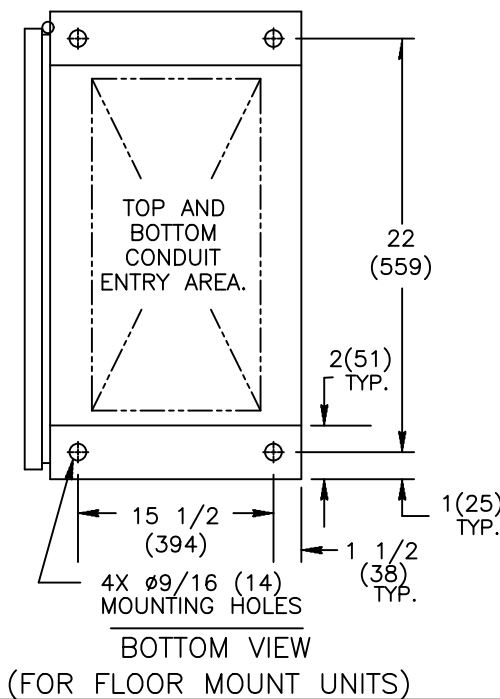


DETAIL A
(4 PLACES)
(FOR WALL MOUNT
UNITS -
NEMA-3R.4(X).12)

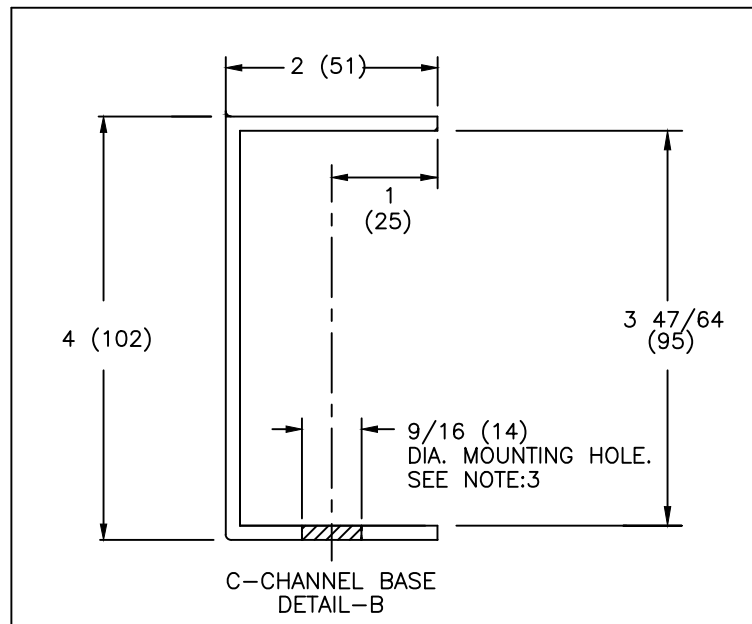
CENTER OF GRAVITY INFORMATION:

AMP	POLE	CENTER OF GRAVITY in(mm)		
		X	Y	Z
* 40-150 (ZTS)	2,3	11.3	9.5	8.0
	4	(287)	(241)	(203)
100-400 (ZTSCT)	3	12.7	36	14
	4	(322)	(914)	(356)
* 225-400 (ZTS)	2,3	11.6	23.0	9.0
	4	(295)	(584)	(229)

* WALL MOUNT UNITS.



BOTTOM VIEW
(FOR FLOOR MOUNT UNITS)



C-CHANNEL BASE
DETAIL-B

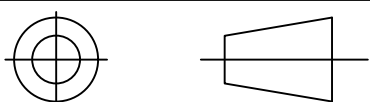
SIGNATURES	DATE
MODEL EC	11/01/00
DETAIL	
CHECKED	
ENGRG	
MFG	
QUALITY	
ISSUED	

		TITLE	
		SEISMIC MOUNTING DETAILS 40-400A ATS	
DRAWING FILE: 50C-1034.dwg		FIRST MADE FOR: ZTS(D/CT) 40-400A ATS	
MODEL / ASSEMBLY FILE: ZTS(D/CT) (40-400 AMP)	SIZE B	CAGE CODE	DWG NO
			50C-1034
AutoCad Generated	# CTQs	CRITICAL TO QUALITY CHARACTERISTIC	SCALE: N/A
			SHEET 3 OF 3

ABB PROPRIETARY AND CONFIDENTIAL INFORMATION

The information contained in the document has to be kept strictly confidential. Any unauthorized use, reproduction, distribution or disclosure to third parties is strictly forbidden. ABB reserves all rights regarding intellectual Property Rights. Copyright 2018 ABB. All rights reserved

THIRD ANGLE PROJECTION



AutoCad Generated