

ABB PROPRIETARY AND CONFIDENTIAL INFORMATION
 The information contained in the document has to be kept strictly confidential.
 Any unauthorized use, reproduction, distribution or disclosure to third parties is strictly forbidden.
 ABB reserves all rights regarding intellectual Property Rights.
 Copyright 2018 ABB. All rights reserved

REVISIONS			
REV.	DESCRIPTION	DATE	APPROVED
2	C077003 UPDATED REBRANDING	09/23/19	AR MAS

MODEL	AMPERAGE	NO. POLES	NEMA CABINET	LUG RANGE	WIRE BENDING SPACE		WIRE GUTTERS	
					P(TOP)	R(BOTTOM)	S(LEFT)	T(RIGHT)
ZTS ZTSD ZTSCT	600	2,3	F-1864MPX	(QTY 2) #2-600 MCM (33-304mm ²)	18 1/2 (470)	18 (457)	19 3/8 (492)	1 1/8 (29)
		4					13 (330)	
800	2,3	(QTY 4) #2-600 MCM (33-304mm ²)		17 1/8 (435)				
	4			10 3/4 (273)				

NOTES:

- MATERIAL: UNLESS OTHERWISE NOTED.
A. 12 GA. (.104) REF. 304SS (F-1868MPX)
- FINISH: PER 0-4095 DOCUMENT
- ALL DIMENSIONS ARE FOR REFERENCE ONLY. SHOWN IN INCHES (MILLIMETER)
- CONSTRUCTION PER UL 1008 STANDARD.
- SWITCH SUPPLIED WITH STANDARD MECHANICAL LUG, RATED FOR AL&CU CABLES.
- SWITCH IS DESIGNED FOR BOTH TOP AND BOTTOM CABLE ENTRY WITH STANDARD SWITCH CONFIGURATION IS, LOAD AND NORMAL LUGS ON TOP AND EMERGENCY LUGS AT BOTTOM.
- 100% RATED SOLID/SWITCH NEUTRAL PROVIDED PER THE SWITCH CONFIGURATION.
- FOR SEISMIC MOUNTING, REFER TO SHEET NO.2
- REFER LUG TORQUE LABEL FOR TORQUE INFORMATION.

CABINET DIMENSIONS								
CABINET	A	B	C	E	F	G	H	J
F-1868MPX	70 (1778)	40 (1016)	19 3/4 (502)	34 (864)	35 (889)	11 (279)	15 1/2 (394)	38 (965)

SIGNATURES	DATE
MODEL EC	08/25/17
DETAIL	
CHECKED	
ENGRG	
MFG	
QUALITY	
ISSUED	

ABB

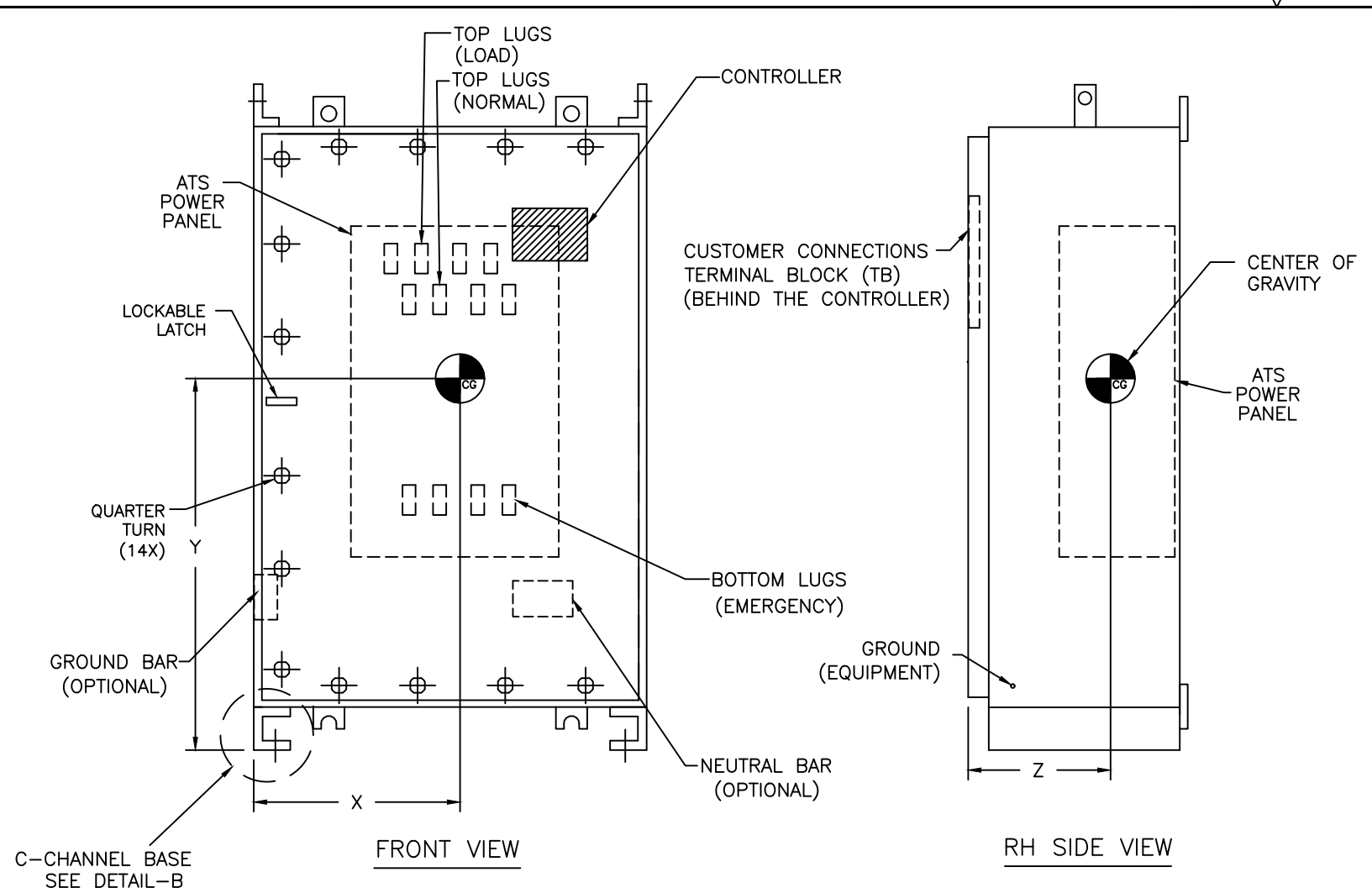
TITLE
**600-800A ATS LAYOUT
 NEMA 4X ENCLOSURE**

FIRST MADE FOR: ZTS(D/CT) (600-800 AMP)

DRAWING FILE: 50c-1039.dwg SIZE B DWG NO 50C-1039

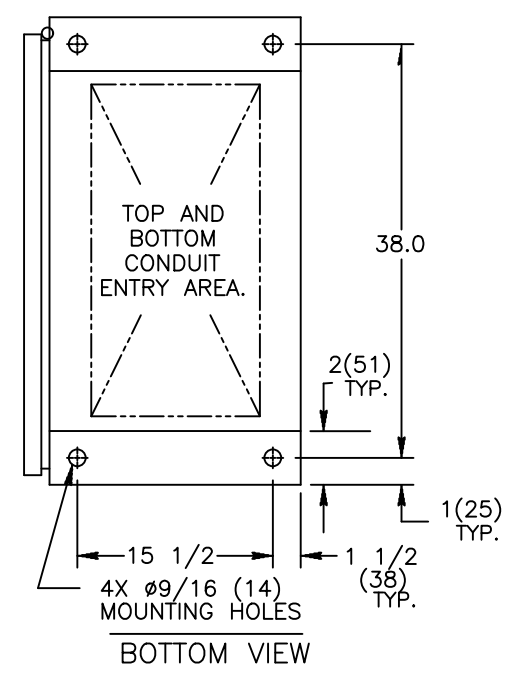
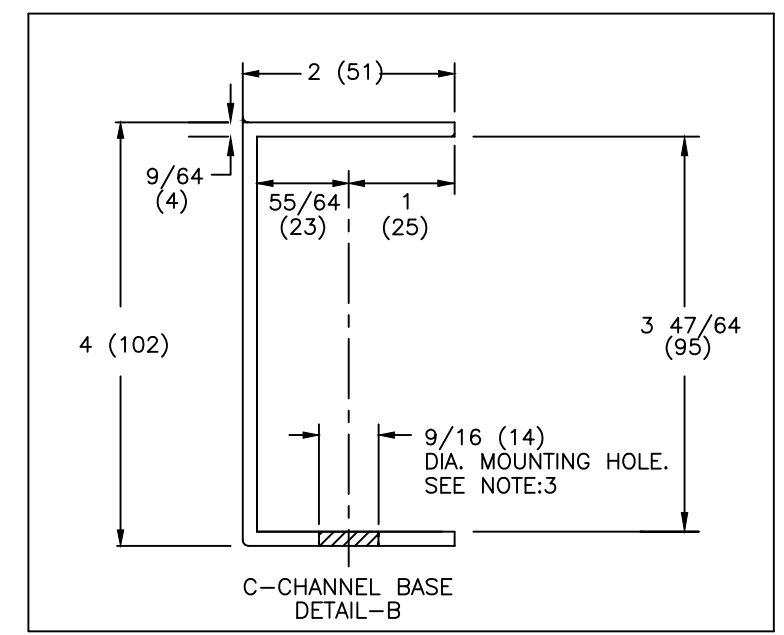
MODEL / ASSEMBLY FILE: ZTS(D/CT) (600-800 AMP)

AutoCad Generated # CTQs CRITICAL TO QUALITY CHARACTERISTIC SCALE: N/A SHEET 1 OF 2



NOTES:

1. ALL DIMENSIONS ARE FOR REFERENCE ONLY AND SHOWN IN INCHES (MILLIMETERS).
2. BOLT ENCLOSURE FROM C-CHANNEL BASE (SEE DETAIL B) USING THE FOLLOWING SEISMIC CERTIFIED MOUNTING HARDWARE PER MOUNTING HOLE:
 (HARDWARE PROVIDED BY INSTALLER).
 * 1/2-13 GRADE 5 BOLT TORQUE TO 70 FT-LBS. (95 NEWTON METERS).
 * 1/2-13 STANDARD FLAT WASHER
 * 1/2 (13) HELICAL SPRING LOCK WASHER.
3. CENTER OF GRAVITY DIMENSIONS ARE FOR REFERENCE ONLY.
4. FOR WORKING CLEARANCE REFER TO NATIONAL AND LOCAL CODES AND STANDARDS.



UNIT WEIGHT WITH NEMA-4X CABINET:

AMP	POLE	WEIGHT LB(kg)	CENTER OF GRAVITY in(mm)		
			X	Y	Z
600	3	458(208)	23.5	34.0	11.5
	4	488(221)	(557)	(864)	(292)
800	3	509(231)	22.0	35.0	12.0
	4	560(254)	(559)	(889)	(305)

SIGNATURES		DATE	
MODEL	EC	11/01/00	
DETAIL			
CHECKED			
ENGRG			
MFG			
QUALITY			
ISSUED			
DRAWING FILE: 50C-1039.dwg		SIZE	FIRST MADE FOR: ZTS(D/CT) (600-800 AMP)
MODEL / ASSEMBLY FILE: ZTS(D/CT) (600-800 AMP)		CAGE CODE	DWG NO

ABB

TITLE
**SEISMIC MOUNTING DETAILS
NEMA 4X CABINET**

50C-1039

SHEET 2 OF 2

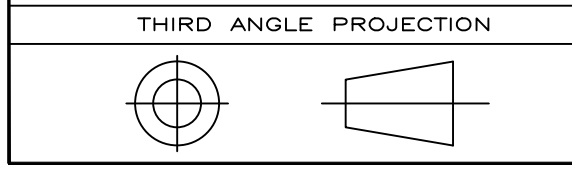


ABB PROPRIETARY AND CONFIDENTIAL INFORMATION
 The information contained in the document has to be kept strictly confidential.
 Any unauthorized use, reproduction, distribution or disclosure to third parties is strictly forbidden.
 ABB reserves all rights regarding intellectual Property Rights.
 Copyright 2018 ABB. All rights reserved

AutoCad Generated

CTQs

CRITICAL TO QUALITY CHARACTERISTIC

