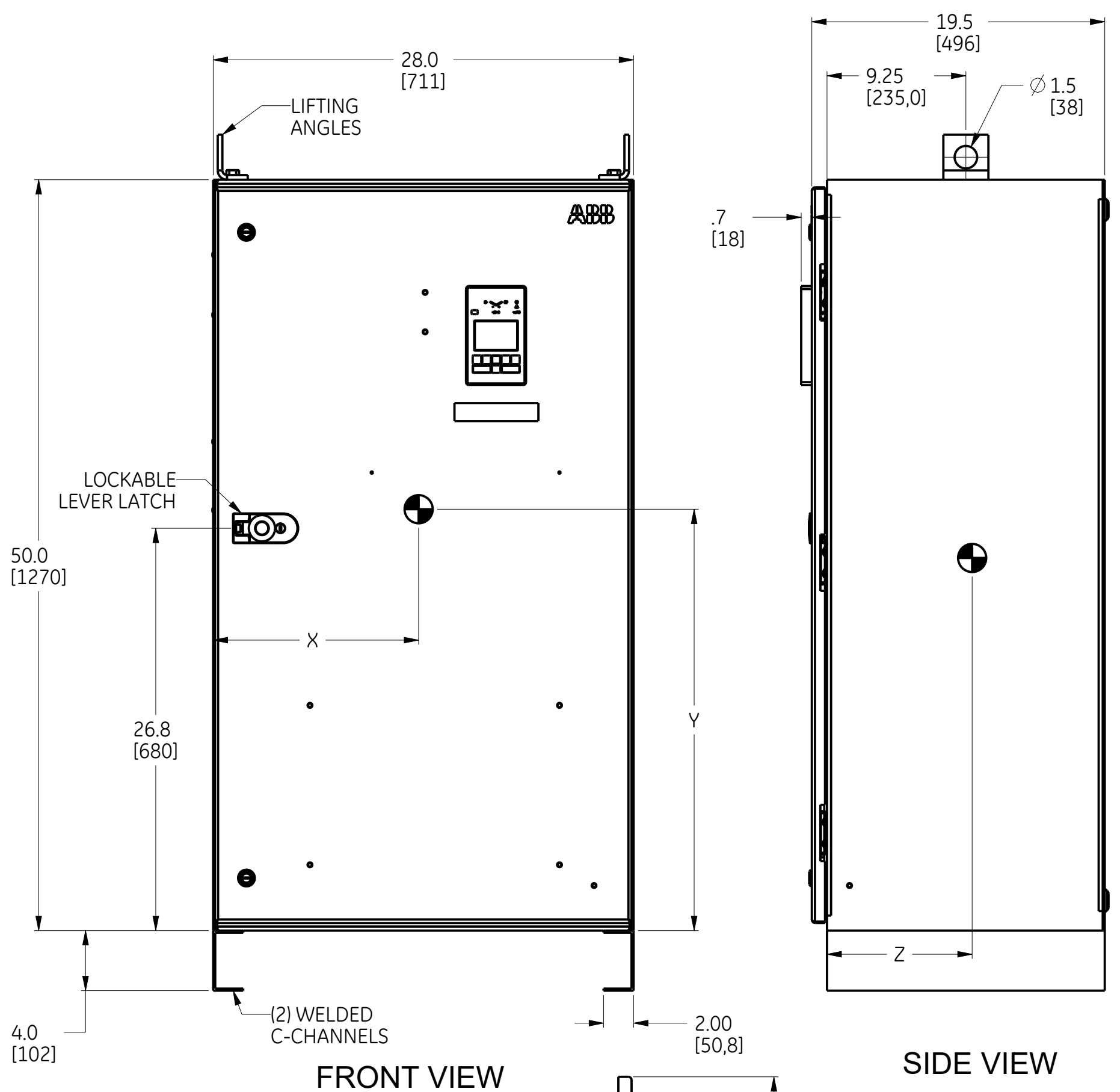


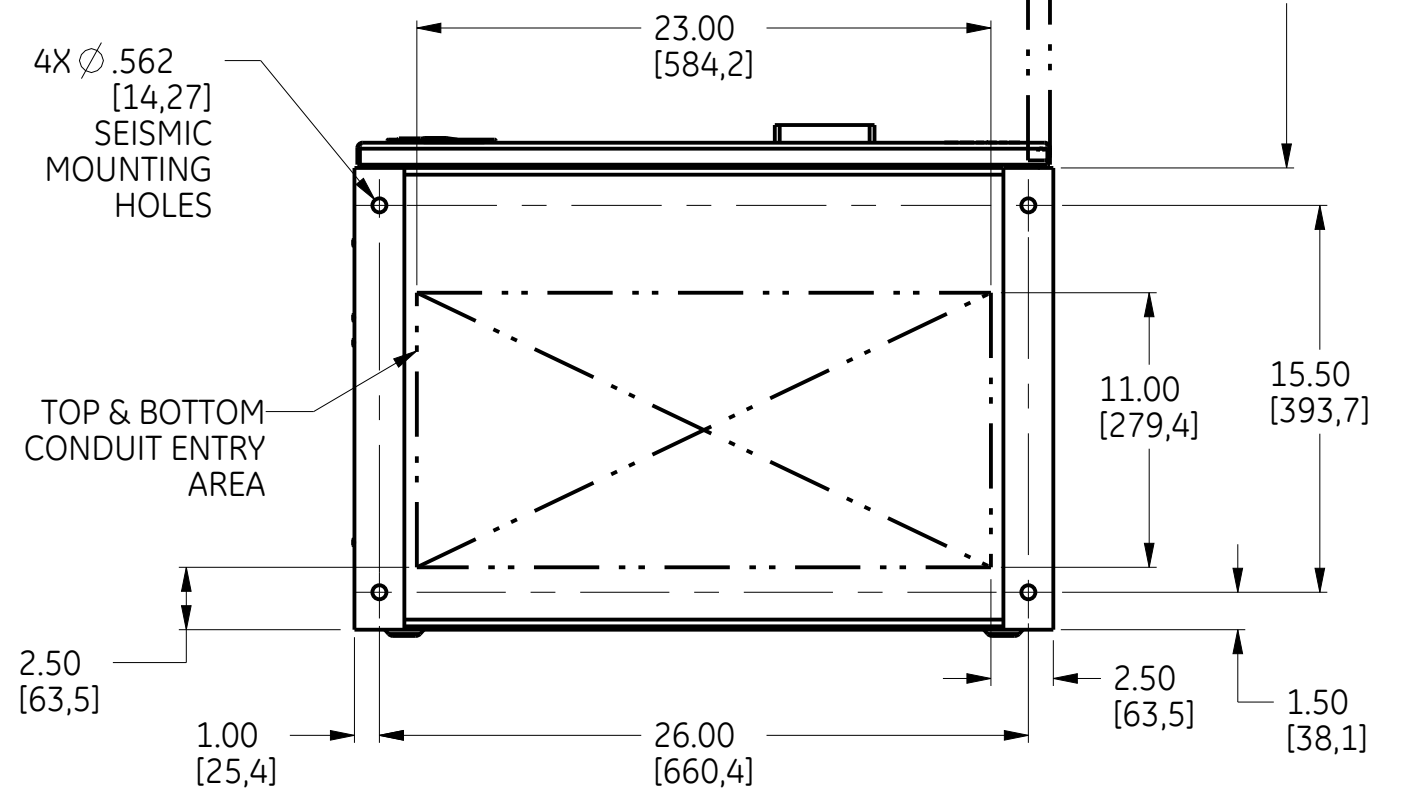
3D Model is the Master Document of Record
 Article or National Code Conform to IEC/UL Procedure 5000000 Sec.1.4
 Part Mark Conform to 3500000 Sec.1 Toxicity Procedure
 Geometric Dimensioning & Tolerancing as per ASME Y14.5-2009

4 POLE - 400A
 SEE SHEET 3 FOR INSIDE DETAILS



FRONT VIEW

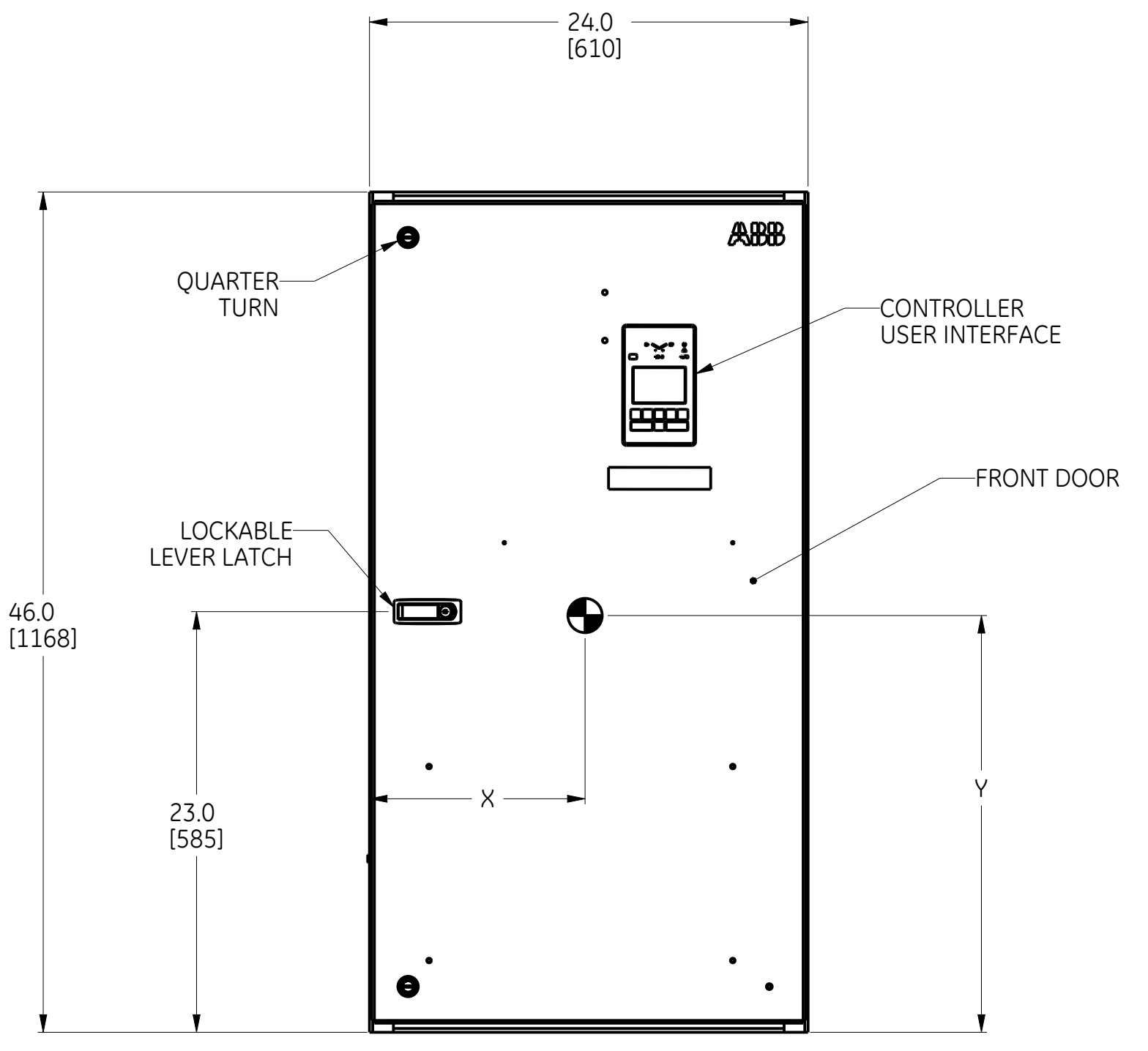
SIDE VIEW



BOTTOM VIEW

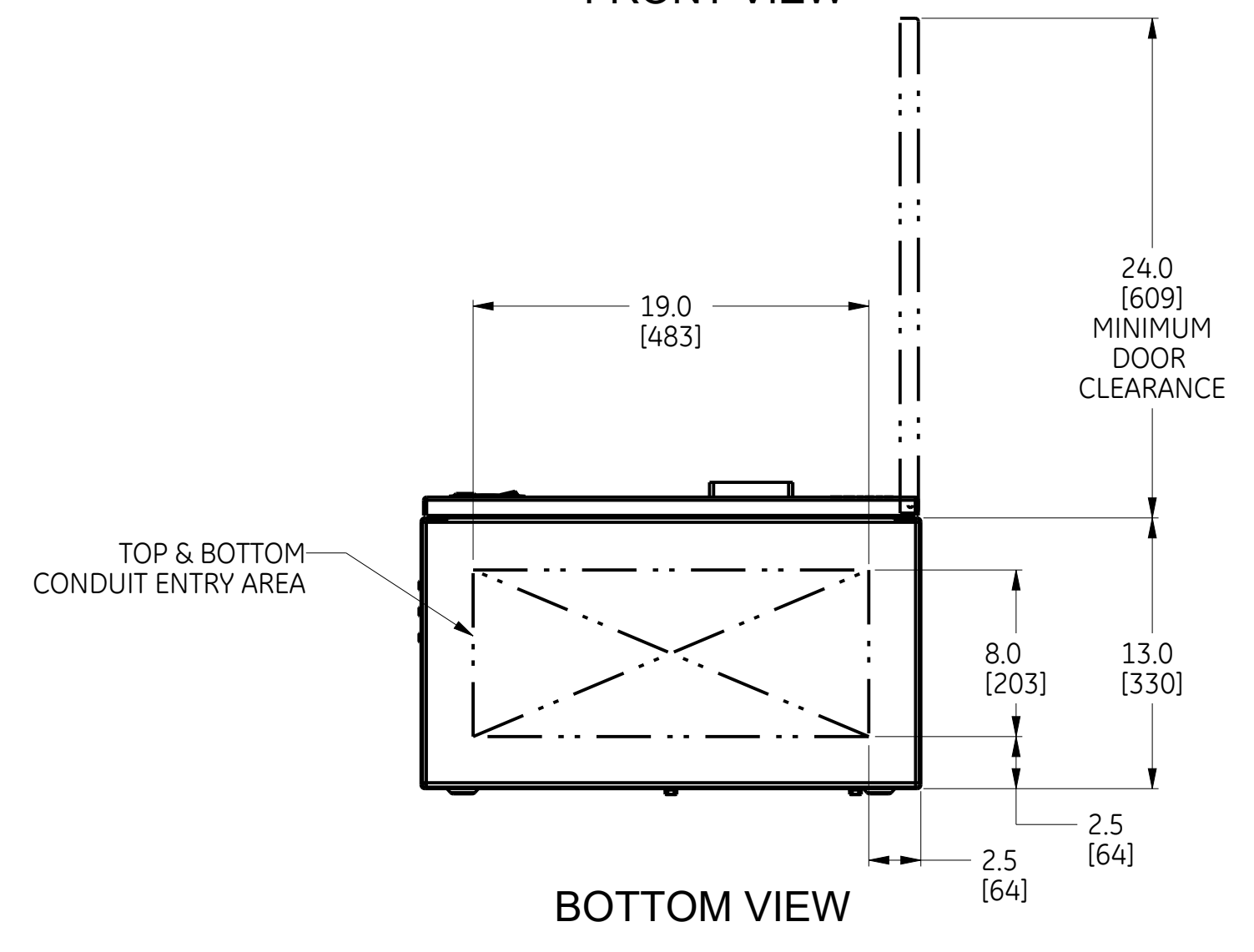
- NOTES**
- ENCLOSURE : NEMA-1 TYPE, FREE STANDING, FLOOR MOUNT.
 - MATERIAL: 12 GA (.1045) 1018 HRS REF.
 - FINISH : ANSI 61 GREY

2 & 3 POLE - 400A
2, 3 & 4 POLE- 260A
 SEE SHEET 2 FOR INSIDE DETAILS



FRONT VIEW

SIDE VIEW

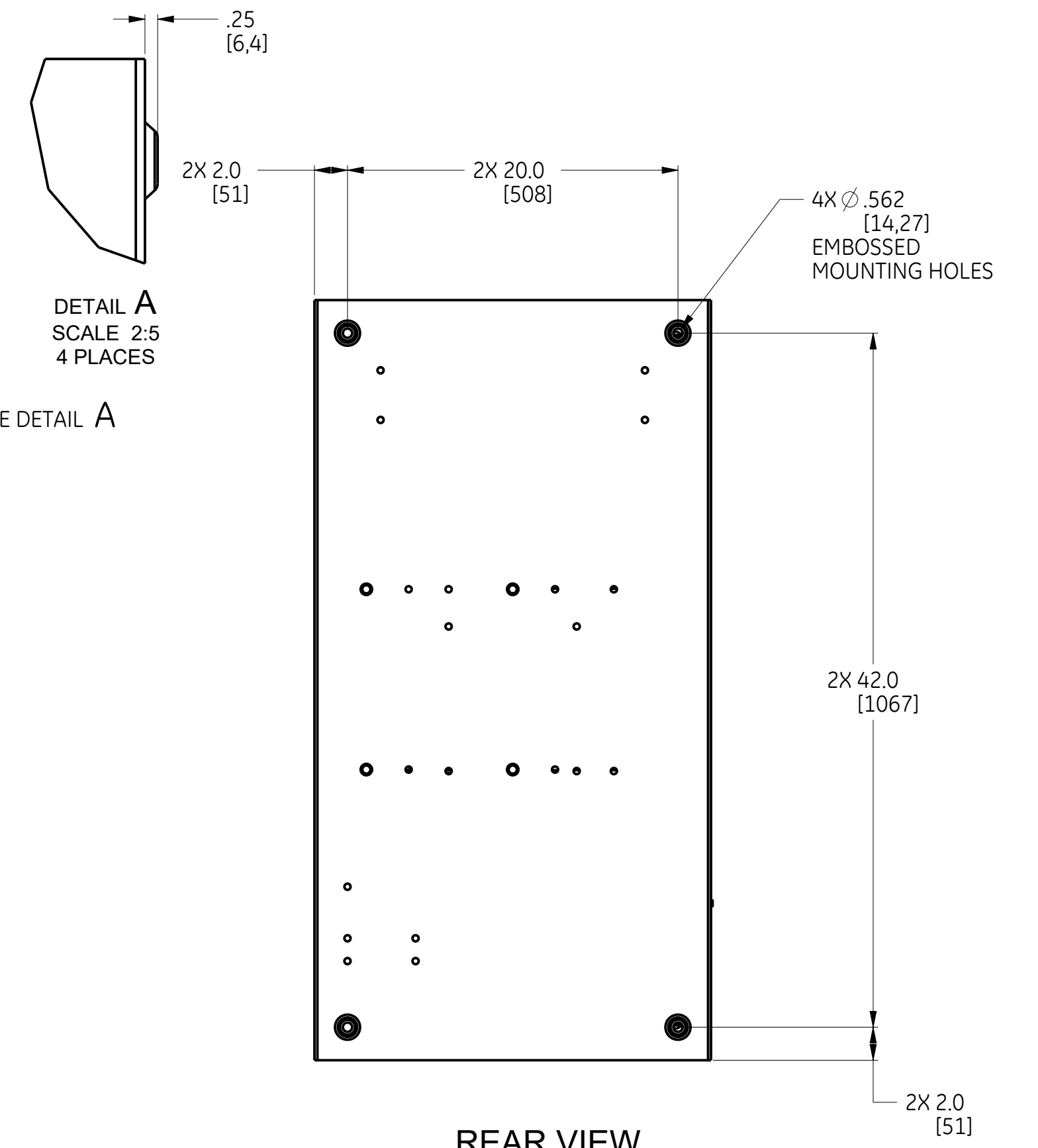


BOTTOM VIEW

- NOTES**
- ENCLOSURE : NEMA-1 TYPE, WALL MOUNT.
 - MATERIAL: 14 GA (.0747) 1018 HRS REF.
 - FINISH : ANSI 61 GREY

GENERAL NOTES:

- CONSTRUCTION PER UL 1008 STANDARD.
- FRONT ACCESSIBLE UNIT. NO SIDE OR REAR ACCESS REQUIRED.
- SUITABLE WIRE BENDING SPACE PROVIDED PER THE SAFETY AGENCY STANDARDS.
- UL AND CSA RECOGNIZED/CERTIFIED MECHANICAL LUGS ARE STANDARD.
- EQUIPMENT GROUND LUG IS PROVIDED IN ALL UNITS. SEE SHEETS 2 AND 3 FOR DETAILS.
- ALL DIMENSIONS ARE FOR REFERENCE ONLY AND SHOWN IN INCHES(MILLIMETERS).
- 100% RATED SOLID/SWITCHED NEUTRAL PROVIDED PER THE SWITCH CONFIGURATION.
- SUITABLE FOR TOP AND/OR BOTTOM CABLE ENTRY.



REAR VIEW

AMP	POLE	CONTROLLER TYPE	CABINET #	LUG RANGE	WEIGHT LB(KG)	CENTER OF GRAVITY IN(MM)		
						X	Y	Z
260A	2	SEE TABLE A	F-2012MP	QTY 1 350 KCMIL	145(66)	11.5 (292)	23.0 (584)	7.5 (190)
	3				150(68)			
	4				155(70)			
400A	2				QTY 1 600 KCMIL			
	3	159(72)						
	4	290(131)						

TABLE A - HMI

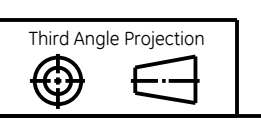
TYPE	TRANSITION	LEVEL	PART NO.
ZTX	OPEN	2	OXAM11-L2
ZTG	OPEN	3	OXAM11-L3
ZTGD	DELAYED	3	OXBM11-L3

SEISMIC NOTES:

- BOLT ENCLOSURES USING THE FOLLOWING SEISMIC CERTIFIED MOUNTING HARDWARE PER MOUNTING HOLE: (HARDWARE PROVIDED BY INSTALLER).
 *1/2-13 GRADE 5 BOLT TORQUE TO 70 FT-LBS. (95 NEWTON METERS).
 *1/2-13 STANDARD FLAT WASHER.
 *1/2 (13) HELICAL SPRING LOCK WASHER.
- CENTER OF GRAVITY DIMENSIONS ARE FOR REFERENCE ONLY.
- FOR WORKING CLEARANCE REFER TO NATIONAL AND LOCAL CODES AND STANDARDS.

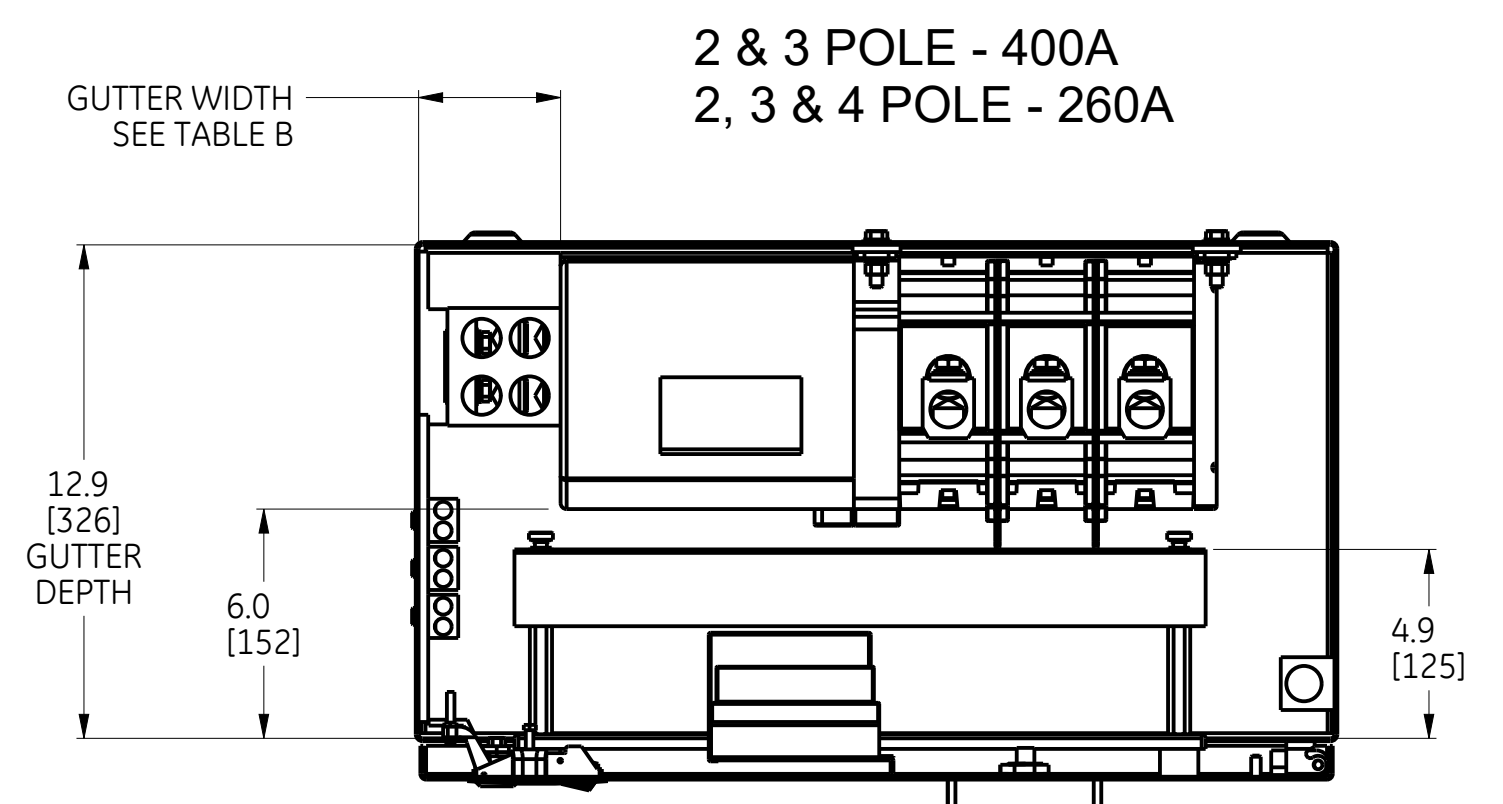
DRAWING FILE: 50C-1063		MODEL FILE: 50C-1063		ABB	
DATE MODIFIED: 25-Apr-19 01:23:43 PM		DESIGNED BY: AP			
VOLUME: 0.000 in^3		APPROVED BY: SR		TITLE: TruONE LAYOUT, 260A-400A WITH NEMA-1 CABINET	
MASS: 0.000 lbm		FINISH SPECIFICATION: ---		UNITS: in	LOCAL TITLE: ---
TOLERANCE ON: 1 PL DECIMALS: ± 0.1 2 PL DECIMALS: ± 0.02 3 PL DECIMALS: ± 0.005 ANGLES: ± 1.0		FINISH DESCRIPTION: ---		SIZE: D	ROOT NUMBER: 50C-1063
SCALE: 1:5		PRODUCT LINE: ZTX/ZTG(D)		REV: 1	RELEASE STATE: In Work
				SHEET: 1 of 3	

ABB PROPRIETARY AND CONFIDENTIAL INFORMATION
 The information contained in this document has to be kept strictly confidential.
 Any unauthorized use, reproduction, or disclosure of this information is strictly forbidden.
 ABB reserves all rights regarding intellectual property rights.
 Copyright © 2018 ABB. All rights reserved.

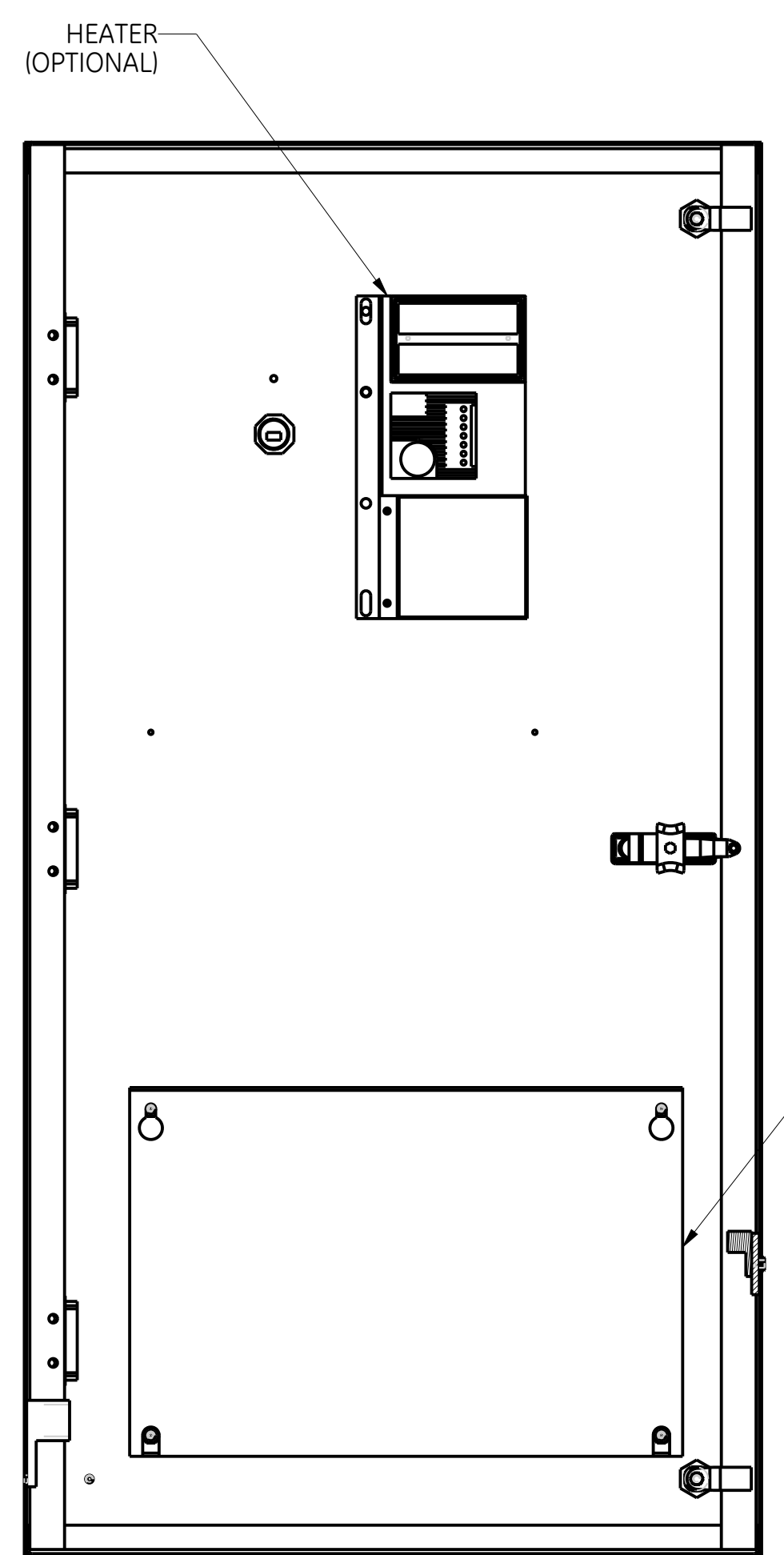


28 27 26 25 24 23 22 21

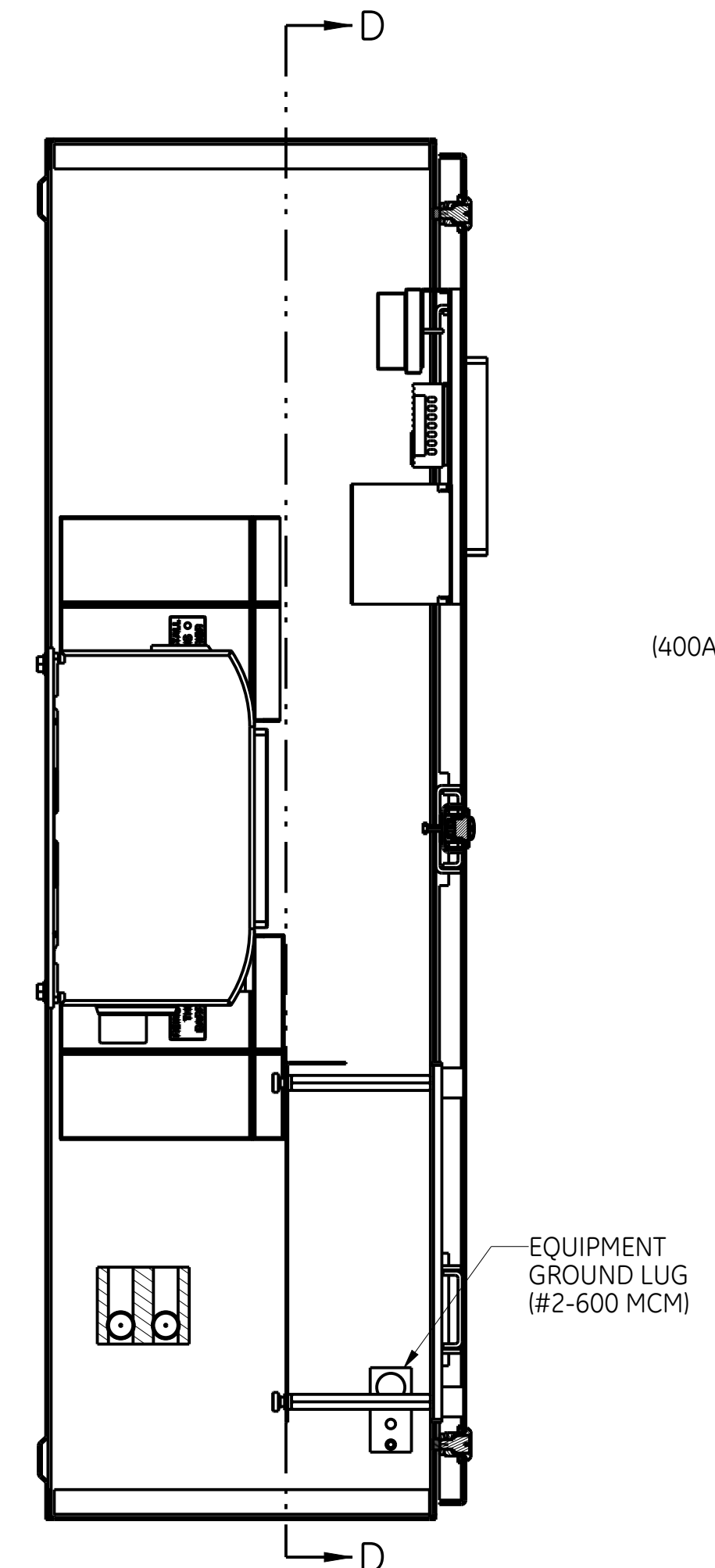
TABLE B - GUTTER WIDTH		
	POLES	
260A	4	3.4 (86)
400A	3	3.7 (94)



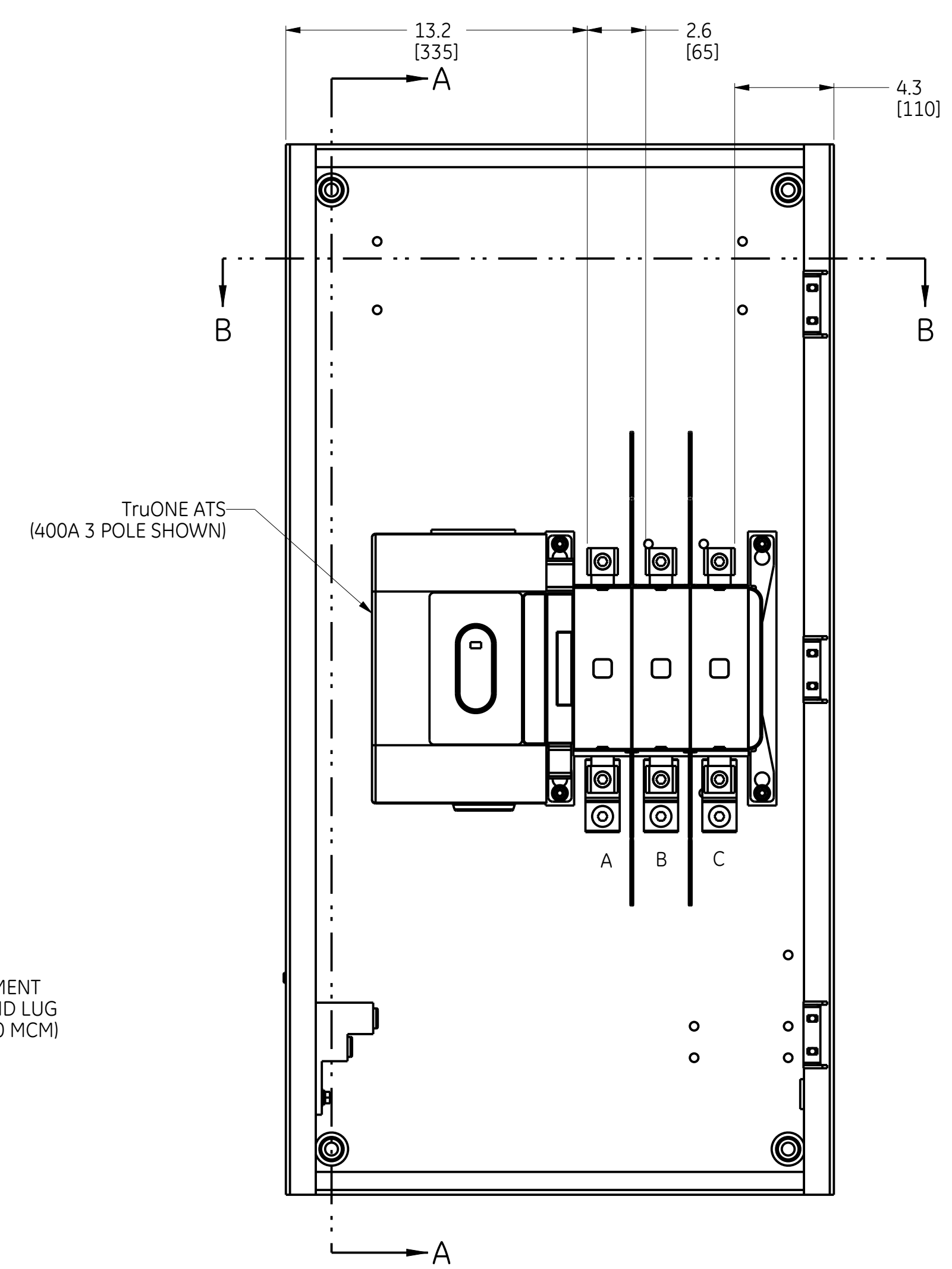
SECTION B-B
TOP VIEW
WITHOUT TOP PANEL



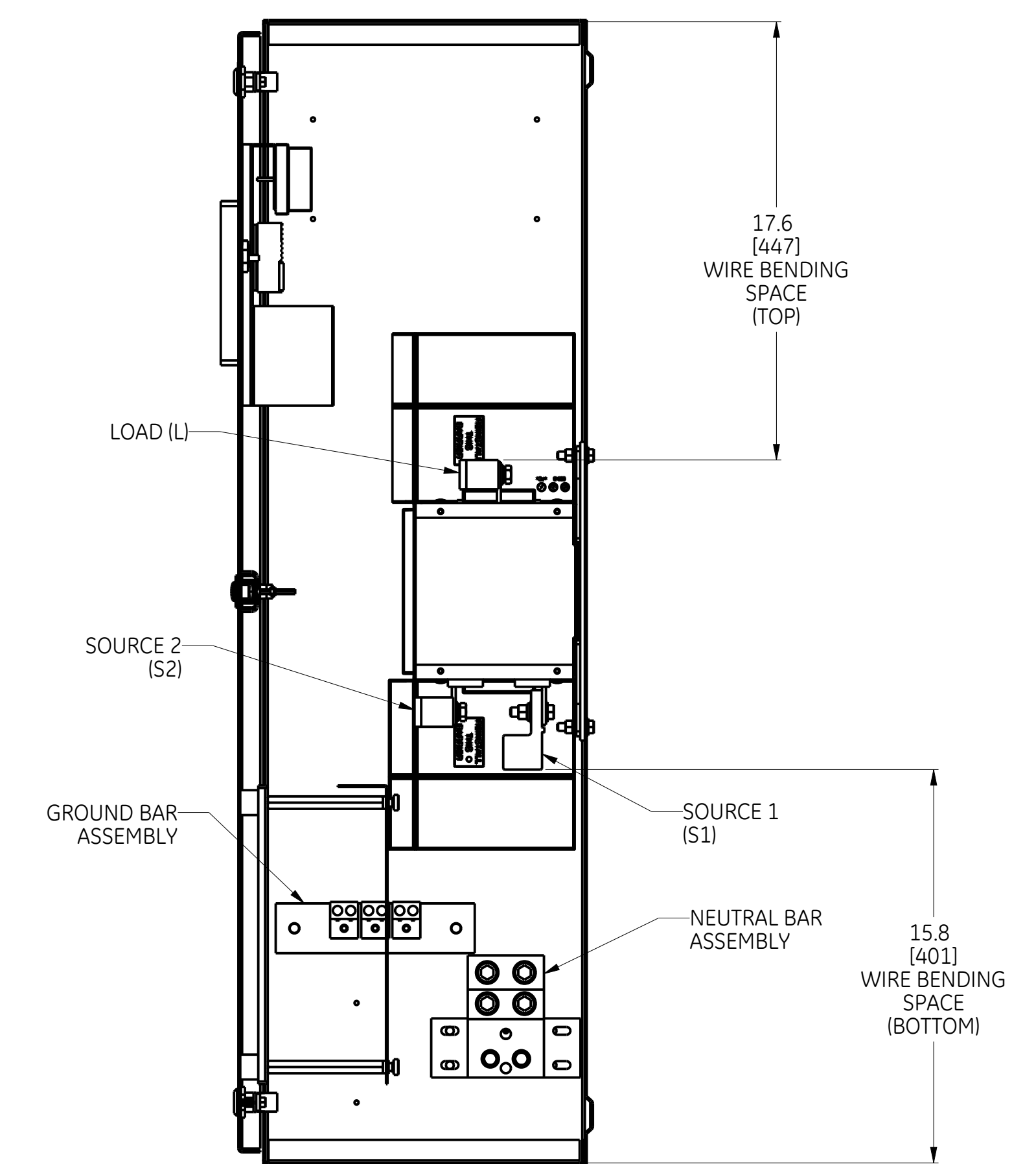
SECTION D-D
DOOR INSIDE VIEW



SECTION A-A
LEFT VIEW
WITHOUT SIDE PANEL



FRONT VIEW
WITHOUT DOOR



SECTION C-C
RIGHT SIDE VIEW
WITHOUT SIDE PANEL

NOTE:
1. REFER TO SHEET (1) FOR COMPLETE NOTE DETAILS
2. MECHANICAL LUGS SHOWN IN ABOVE VIEWS ARE FOR REFERENCE ONLY.

ABB PROPRIETARY AND CONFIDENTIAL INFORMATION
The information contained in this document has to be kept strictly confidential. Any unauthorized use, reproduction, distribution or disclosure to third parties is strictly forbidden. All rights reserved. © 2018 ABB.

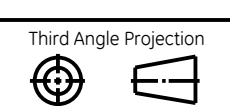


ABB		
SIZE	NUMBER	REV
D	50C-1063	1
SCALE	PRODUCT LINE	SHEET
1:5	ZTX/ZTG(D)	2 of 3

28 27 26 25 24 23 22 21

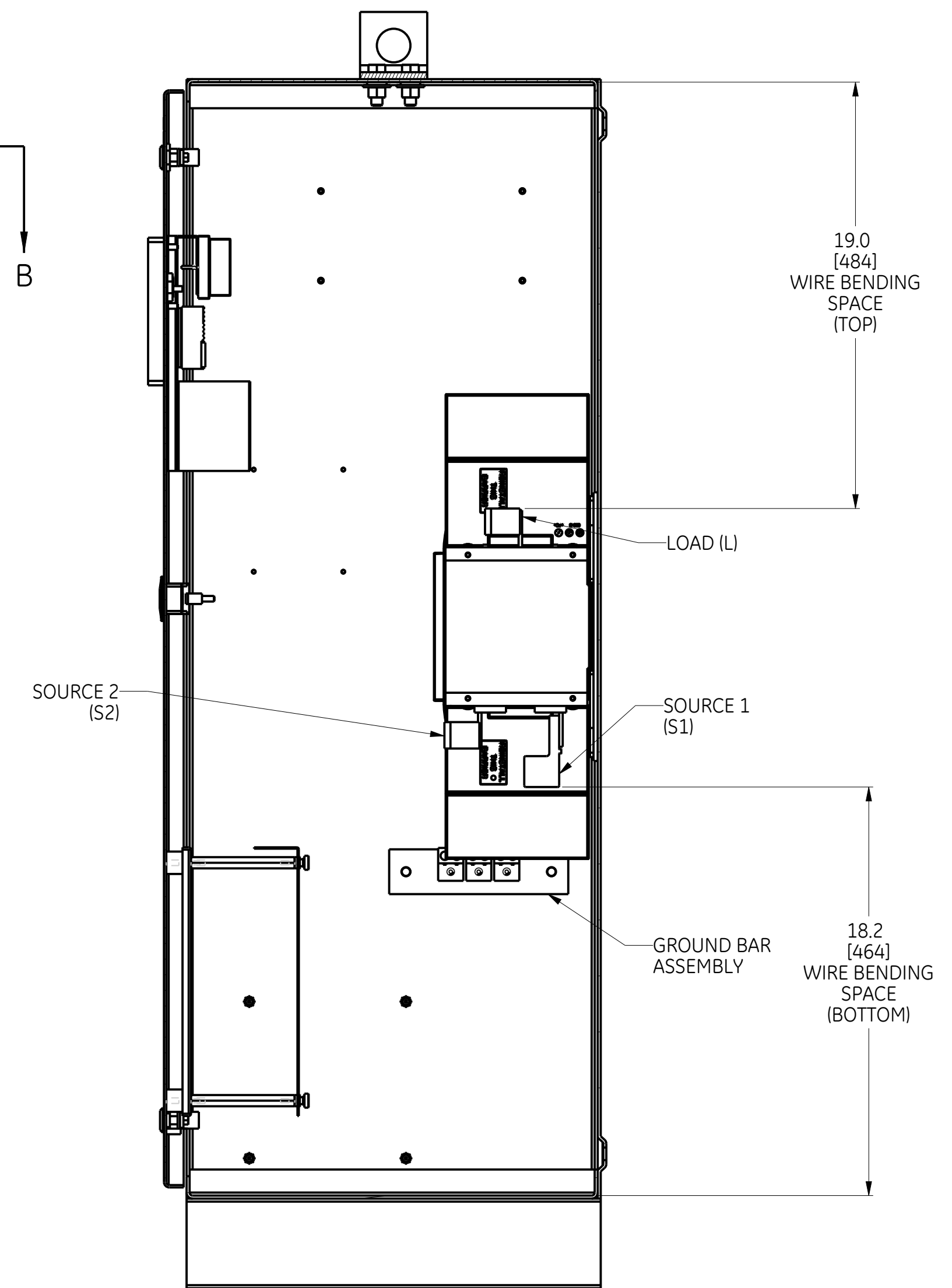
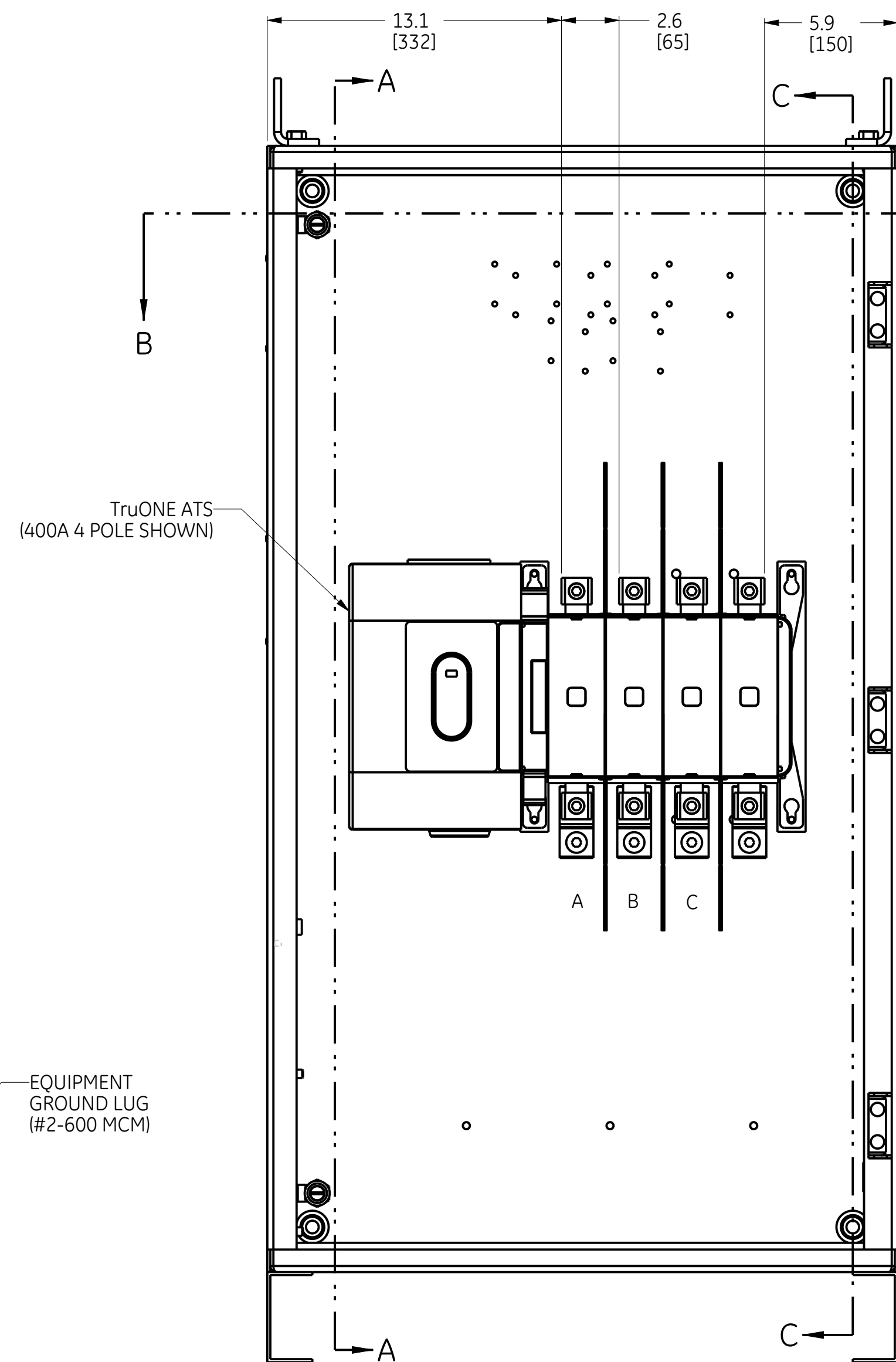
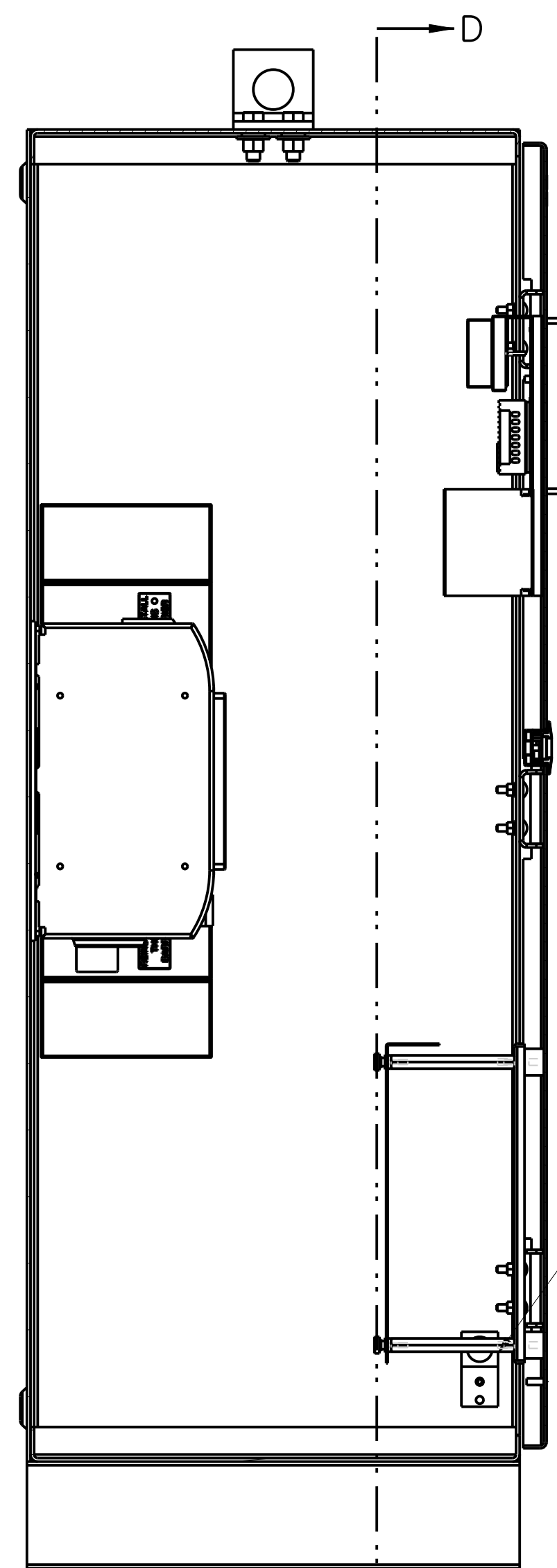
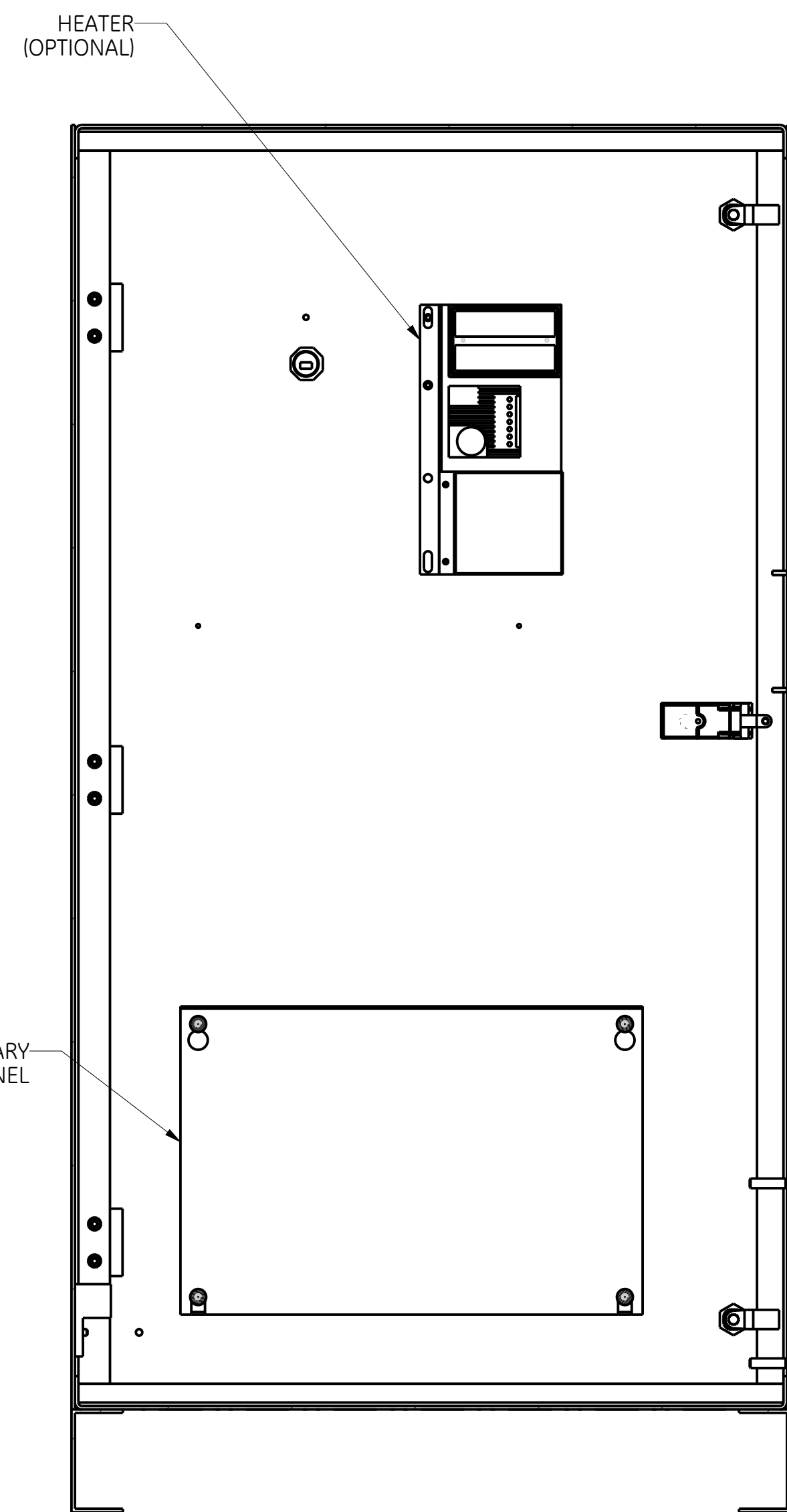
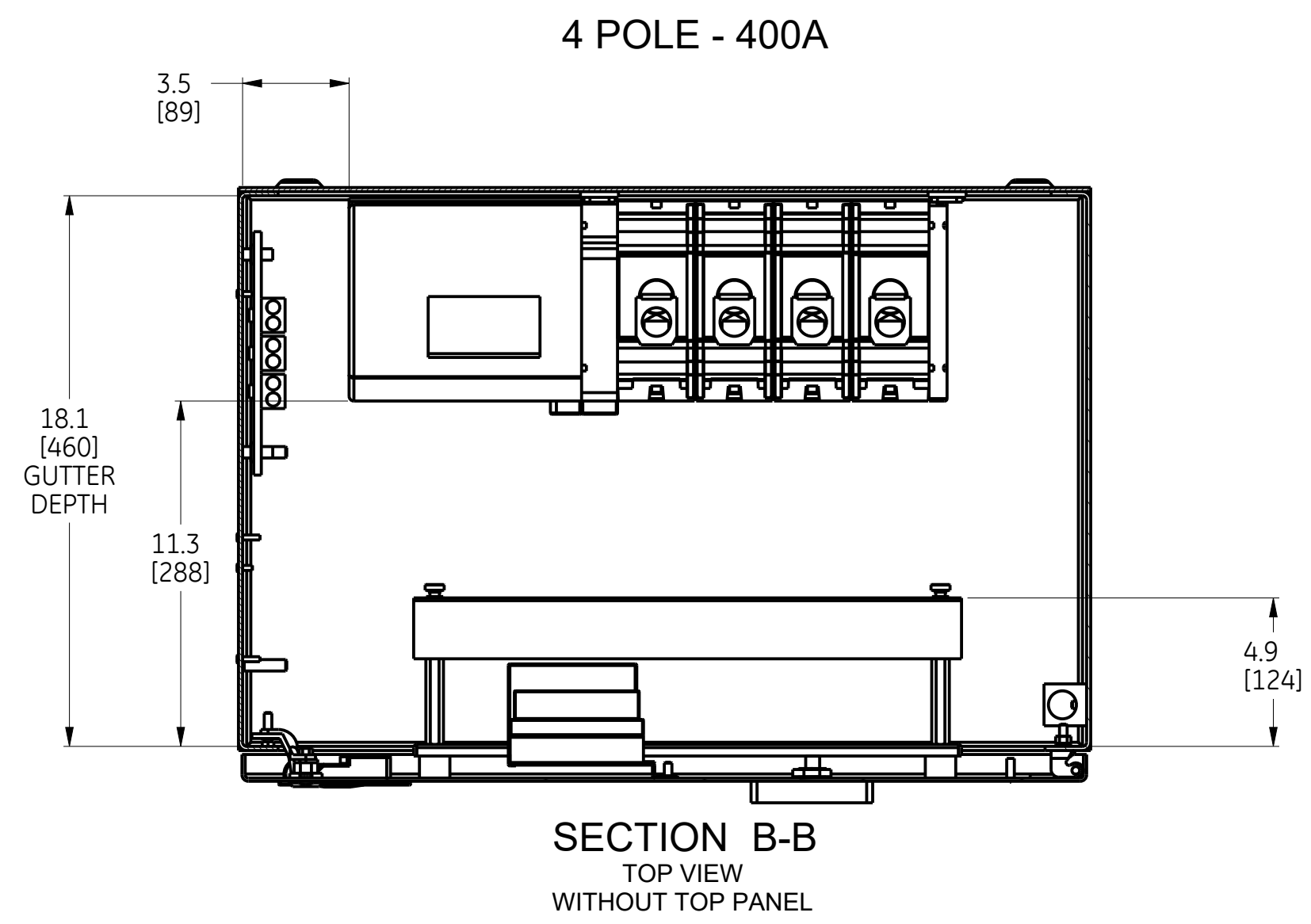
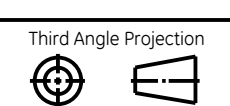


ABB PROPRIETARY AND CONFIDENTIAL INFORMATION
The information contained in this document has to be kept strictly confidential.
Any unauthorized use, reproduction, distribution or disclosure to third parties is strictly forbidden.
ABB reserves the right to change specifications without notice.
Copyright © 2018 ABB. All rights reserved.



NOTE:
1. REFER TO SHEET (1) FOR COMPLETE NOTE DETAILS
2. MECHANICAL LUGS SHOWN IN ABOVE VIEWS ARE FOR REFERENCE ONLY.

ABB		
SIZE	NUMBER	REV
D	50C-1063	1
SCALE	PRODUCT LINE	SHEET
1:5	ZTX/ZTG(D)	3 of 3