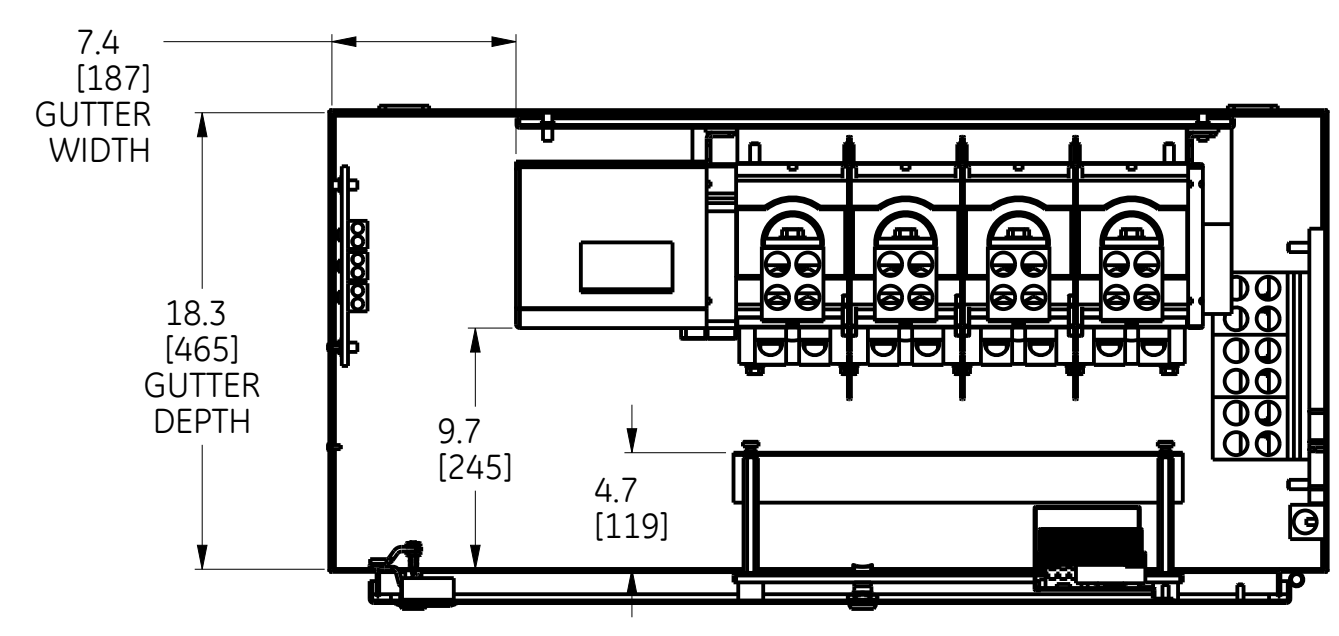
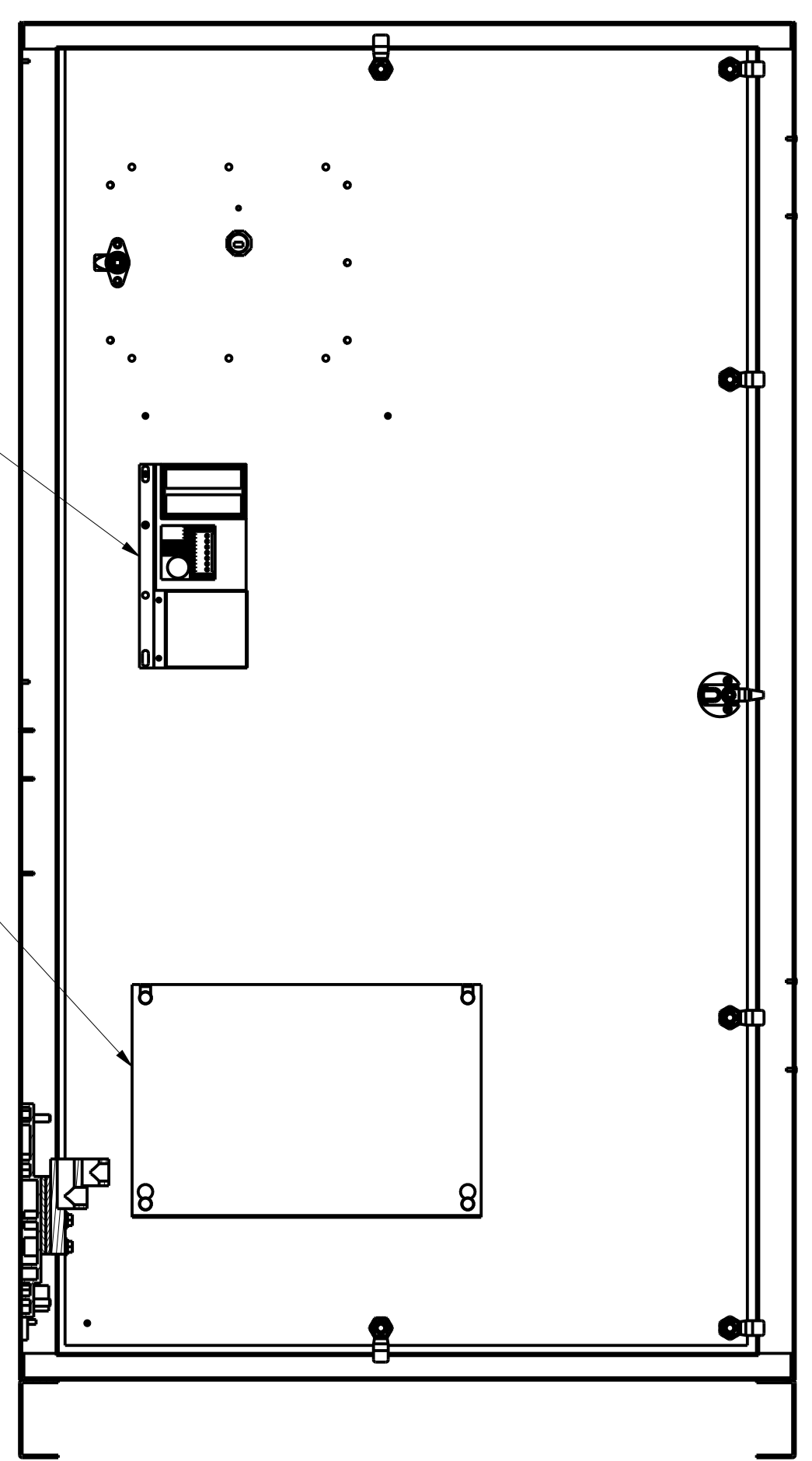




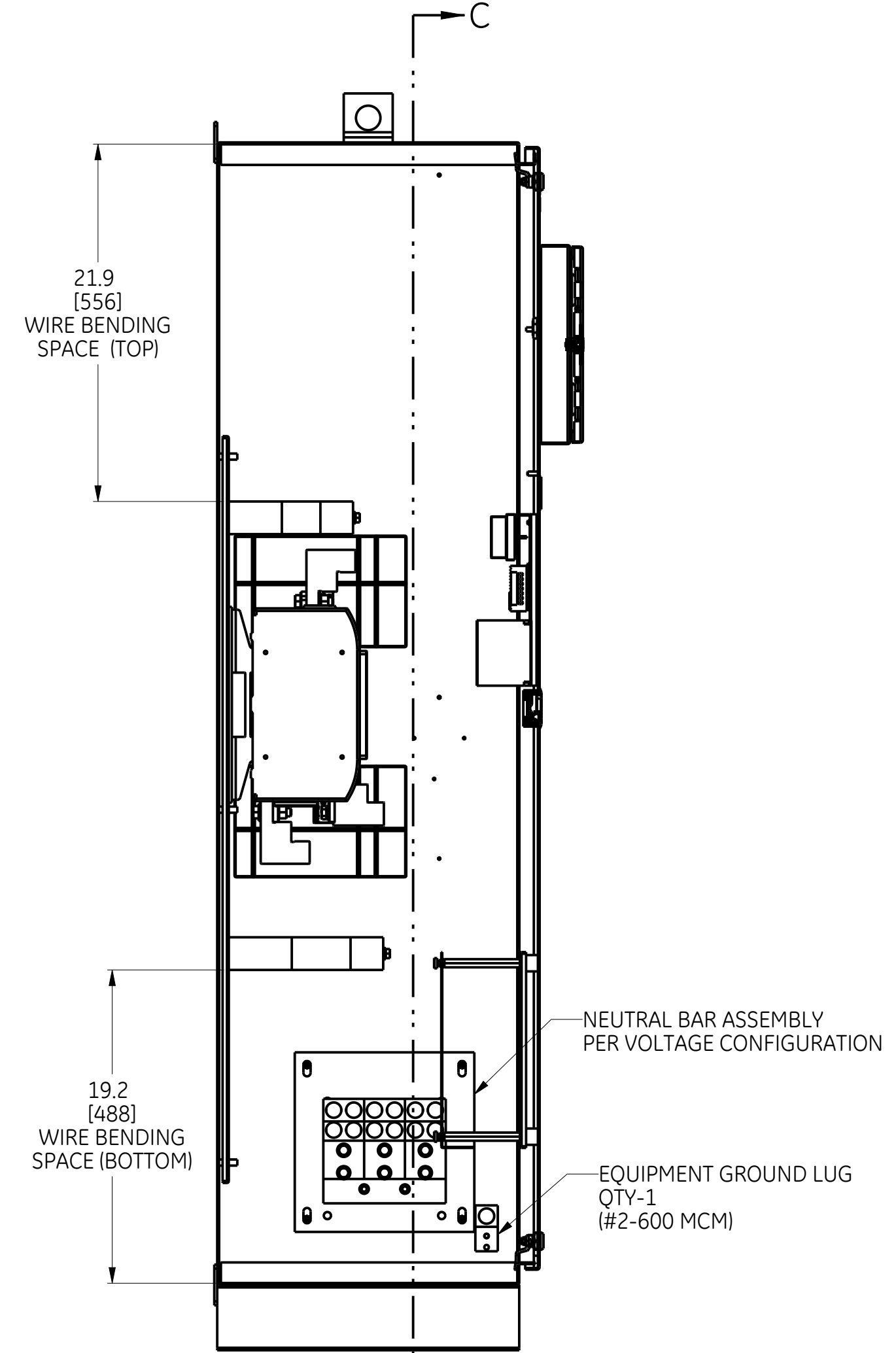
28 27 26 25 24 23 22 21



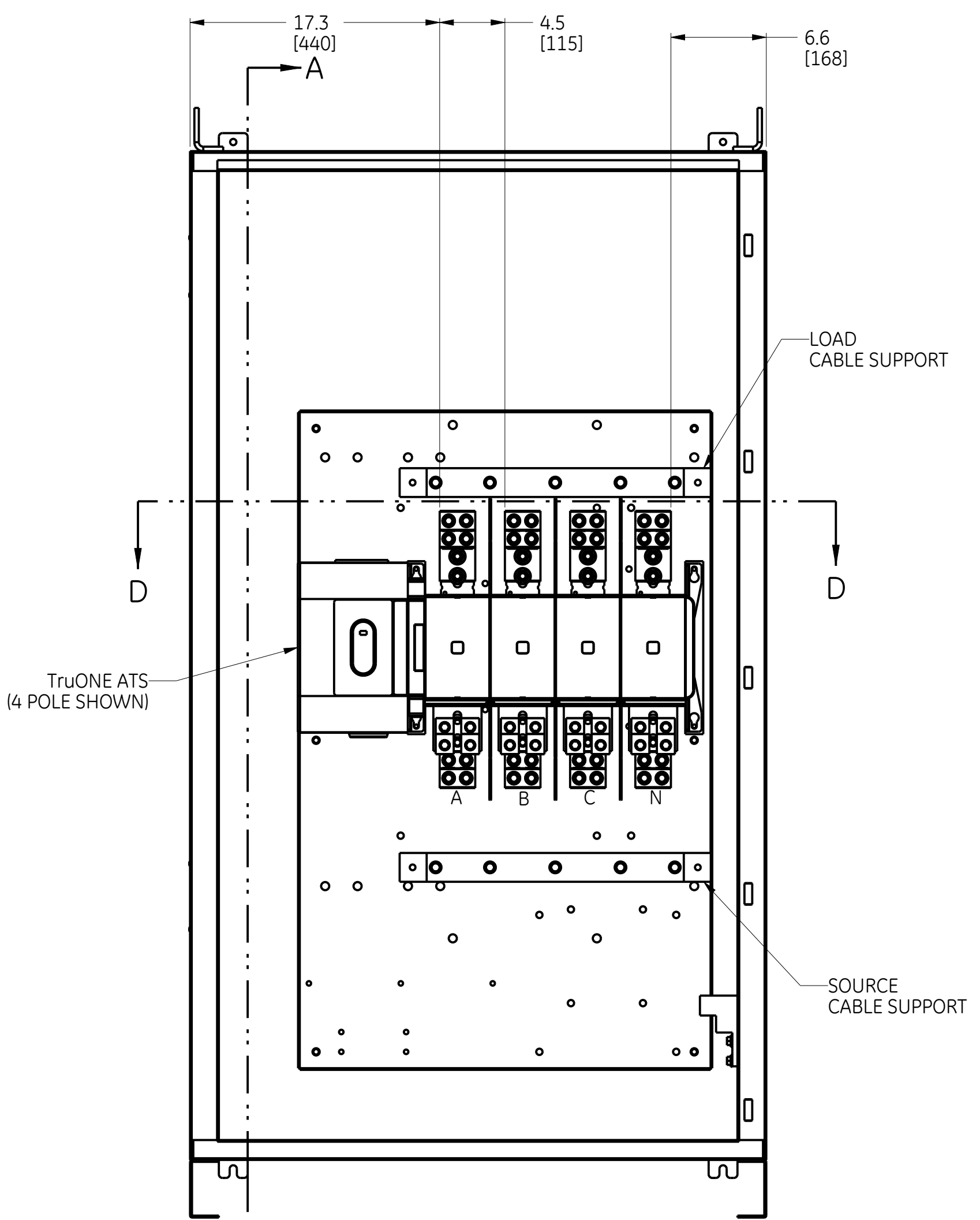
SECTION D-D  
TOP VIEW  
WITHOUT TOP PANEL  
AND CABLE SUPPORTS



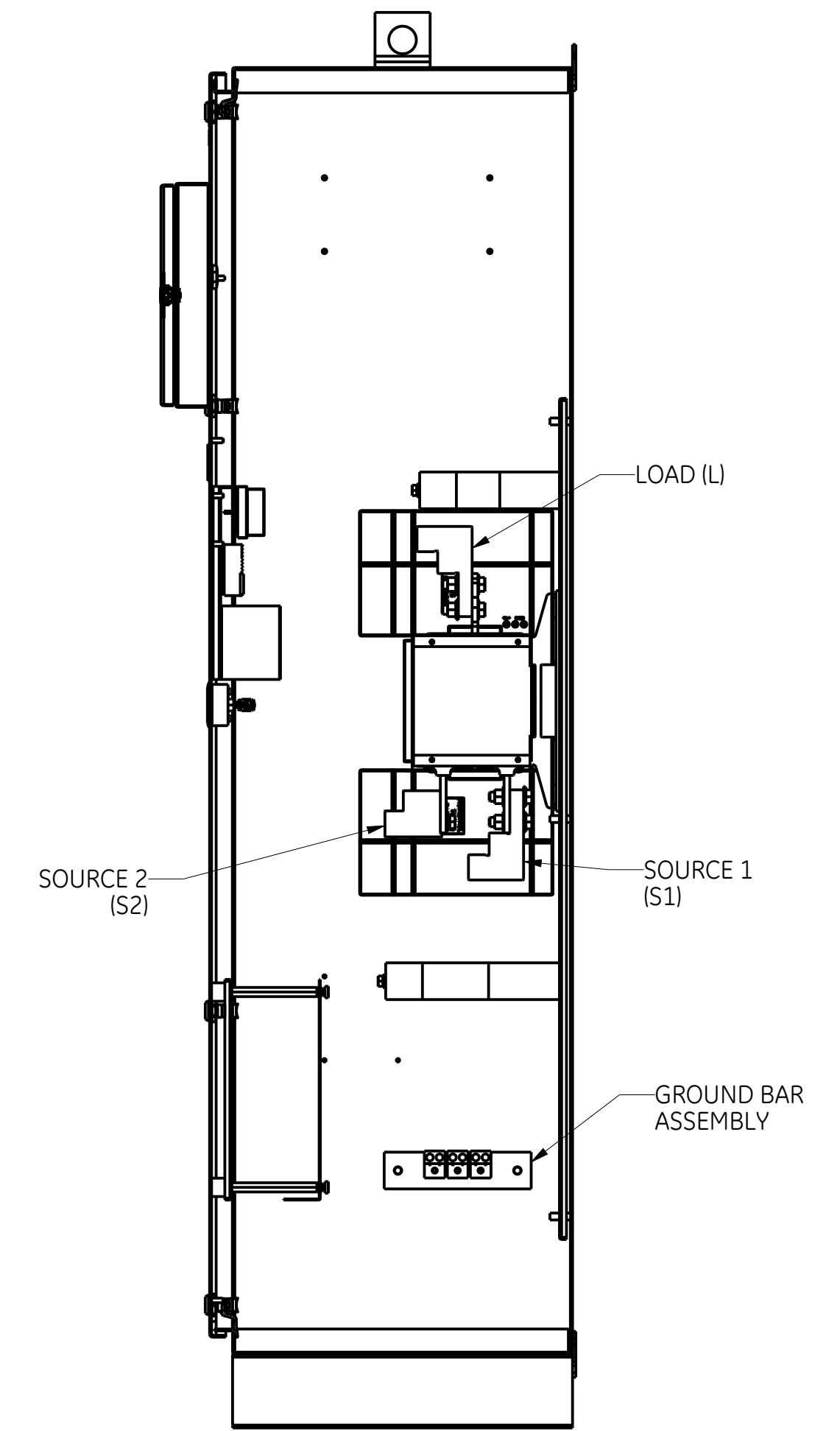
SECTION C-C  
DOOR INSIDE VIEW



SECTION A-A  
LEFT SIDE  
WITHOUT SIDE PANEL



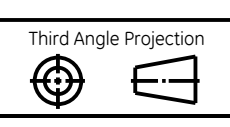
FRONT VIEW  
WITHOUT DOOR



SECTION B-B  
RIGHT SIDE  
WITHOUT SIDE PANEL

NOTE:  
1. REFER TO SHEET (1) FOR COMPLETE NOTE DETAILS  
2. MECHANICAL LUGS SHOWN IN ABOVE VIEWS ARE FOR REFERENCE ONLY.

ABB PROPRIETARY AND CONFIDENTIAL INFORMATION  
The information contained in this document has to be kept strictly confidential. Any unauthorized use, reproduction, distribution or disclosure to third parties is strictly forbidden. All rights reserved. Copyright © 2018 ABB.



|            |              |        |
|------------|--------------|--------|
| <b>ABB</b> |              |        |
| SIZE       | NUMBER       | REV    |
| D          | 50C-1071     | 1      |
| SCALE      | PRODUCT LINE | SHEET  |
| 13:100     | ZTX/ZTG(D)   | 2 of 2 |

28 27 26 25 24 23 22 21