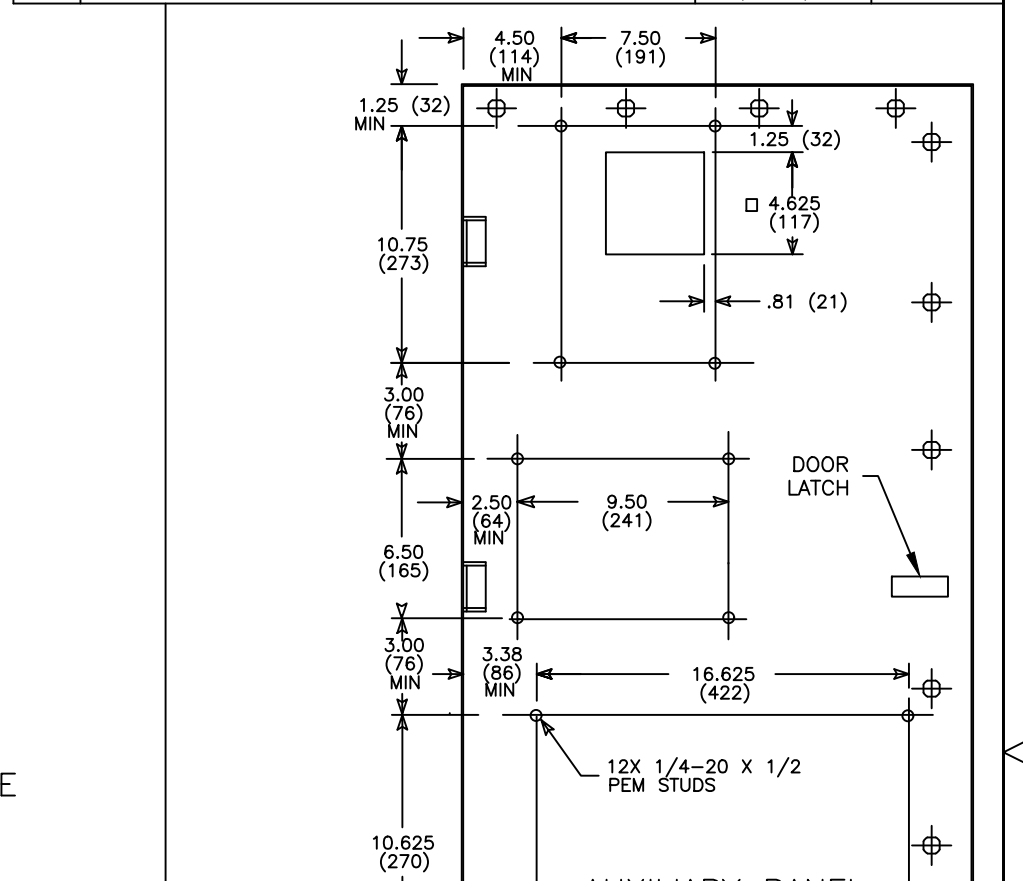
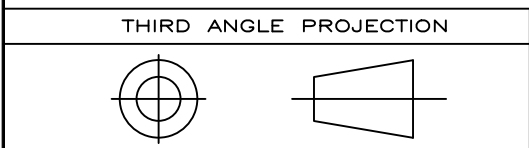
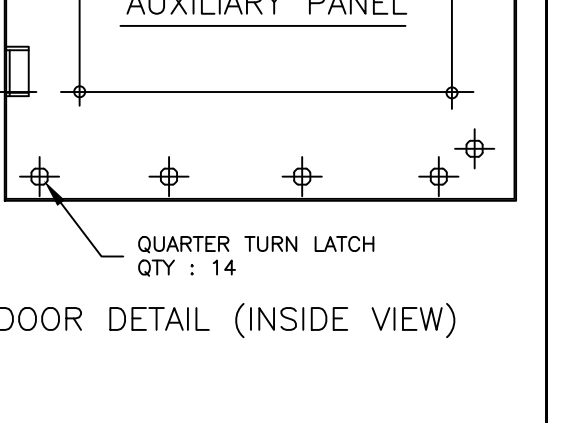
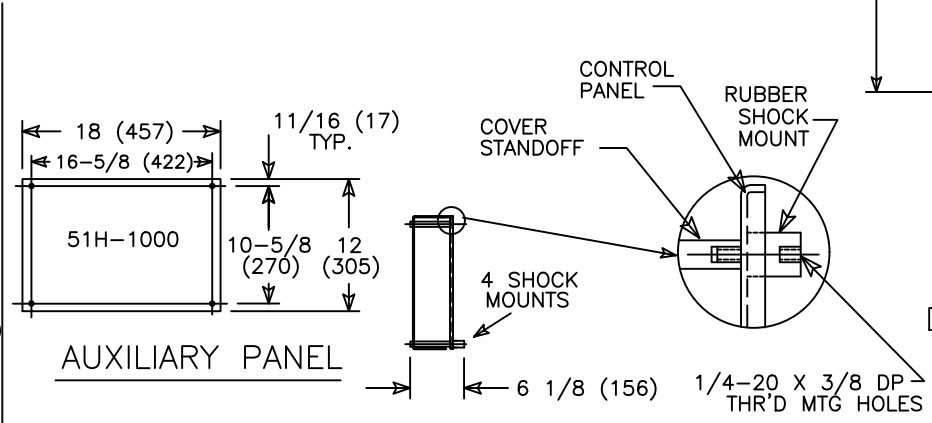
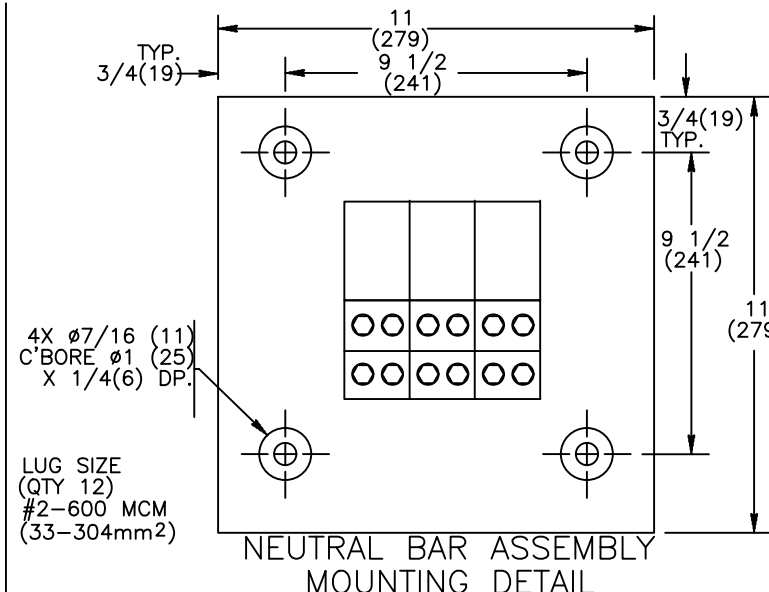


REVISIONS			
REV.	DESCRIPTION	DATE	APPROVED
2	C076901 UPDATED REBRANDING	09/20/19	AR MAS

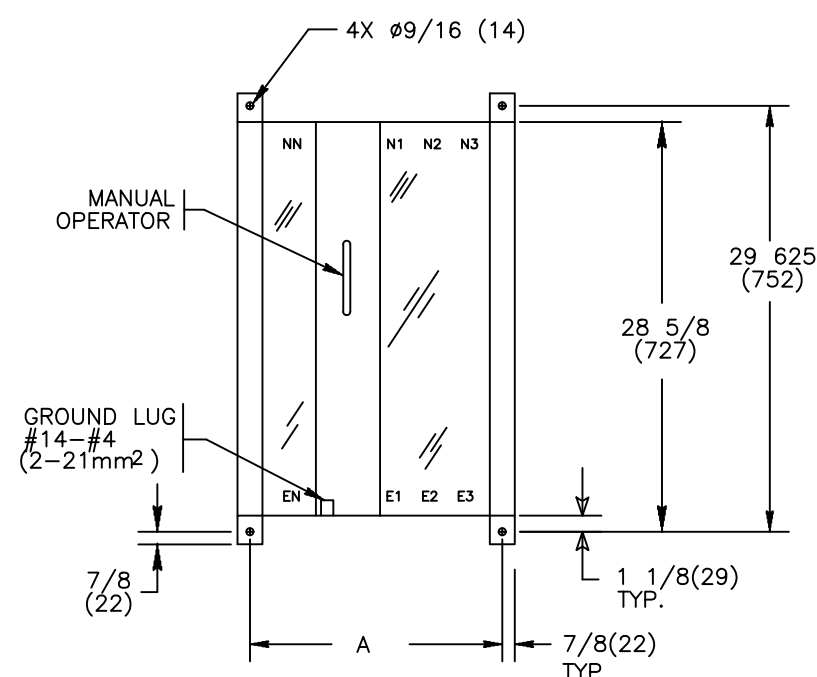


- NOTES:**
- CONSTRUCTION PER UL 1008 STANDARD.
  - FOR 2-POLE SWITCHES, OMIT CENTER POLE.
  - OPEN TYPE SWITCH SUPPLIED WITH 6 FT. (1.8m) LONG HARNESS BETWEEN POWER AND CONTROL PANELS. HARNESS EXITS FROM LOWER RIGHT CORNER OF POWER PANEL.
  - DO NOT RUN CABLES IN FRONT OF SWITCH. RUN ALL CABLES ON SIDES.
  - MAINTAIN ELECTRICAL CLEARANCE OF 1(25mm) MIN. BETWEEN LIVE METAL PARTS AND GROUNDED METAL.
  - DIMENSIONS ARE FOR REFERENCE ONLY AND SHOWN IN INCHES(MILLIMETERS).
  - SWITCH SUPPLIED WITH STANDARD MECHANICAL LUG, RATED FOR AL&CU CABLES.
  - REFER LUG TORQUE LABEL FOR TORQUE INFORMATION.
  - REFER NEMA-1 CABINET DRAWING FOR RECOMMENDED CABINET SIZE.



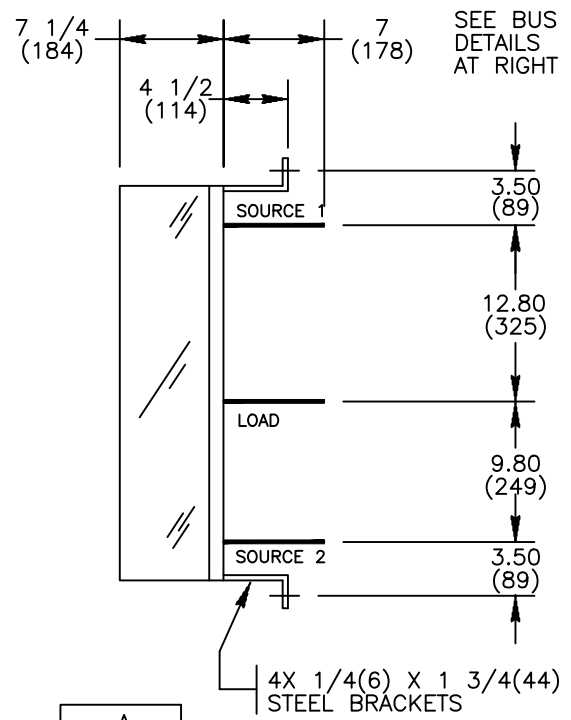
**ABB PROPRIETARY AND CONFIDENTIAL INFORMATION**  
 The information contained in the document has to be kept strictly confidential. Any unauthorized use, reproduction, distribution or disclosure to third parties is strictly forbidden. ABB reserves all rights regarding intellectual Property Rights. Copyright 2018 ABB. All rights reserved.

SIGNATURES		DATE	TITLE	
MODEL	SG	2/03/97	TRANSFER SWITCH LAYOUT	
DETAIL			1000-1200A - FRONT LUGS	
CHECKED			FIRST MADE FOR:	ZTS(D/CT) 1000-1200AMP
ENGRG	SB	2/03/97	SIZE	B
MFG			CAGE CODE	
QUALITY			DWG NO	50C-2003
ISSUED			SCALE:	-
DRAWING FILE:	50c-2003.dwg		# CTQs	CRITICAL TO QUALITY CHARACTERISTIC
MODEL / ASSEMBLY FILE:	ZTS(D/CT) 1000-1200AMP			SHEET 1 OF 2

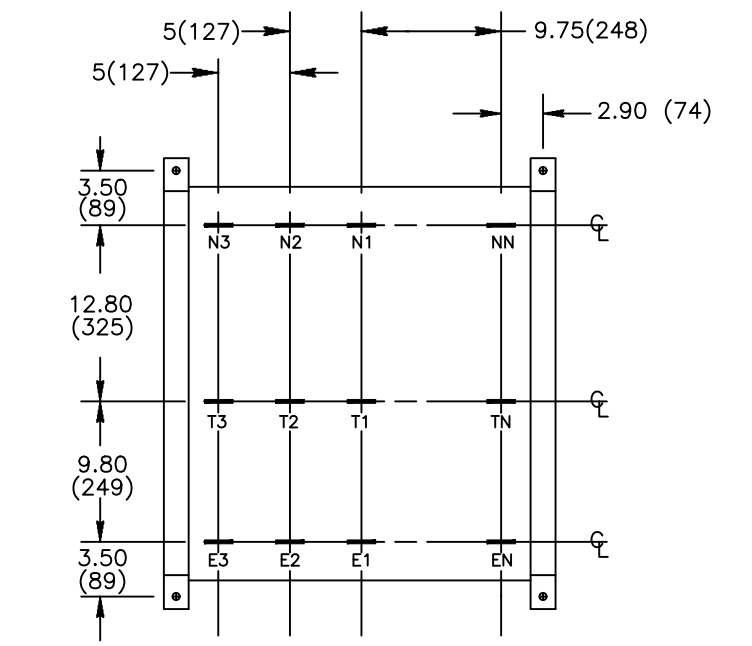
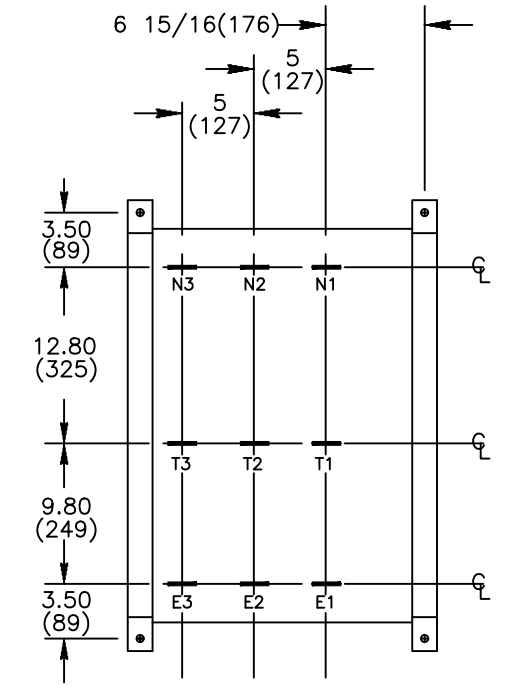


2/3-POLE SWITCH  
FRONT VIEW

	A
2/3-POLE	19 7/8 (505)
4-POLE	25 5/8 (651)



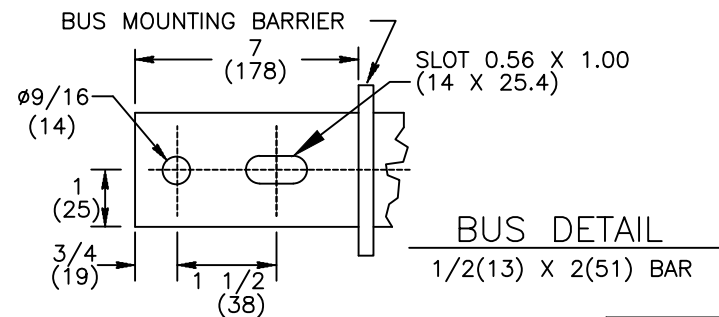
4-POLE SWITCH  
BUS DETAILS (REAR VIEW)



BUS DETAILS (REAR VIEW)

NOTES:

1. CONSTRUCTION PER UL 1008 STANDARD.
2. FOR 2-POLE SWITCHES, OMIT CENTER POLE.
3. OPEN TYPE SWITCH SUPPLIED WITH 6 FT. (1.8m) LONG HARNESS BETWEEN POWER AND CONTROL PANELS. HARNESS EXITS FROM LOWER RIGHT CORNER OF POWER PANEL.
4. DO NOT RUN CABLES IN FRONT OF SWITCH. RUN ALL CABLES ON SIDES.
5. MAINTAIN ELECTRICAL CLEARANCE OF 1" (25mm) MIN. BETWEEN LIVE METAL PARTS AND GROUNDED METAL.
6. REFER LUG TORQUE LABEL FOR TORQUE INFORMATION.
7. REFER NEMA-1 CABINET DRAWING FOR RECOMMENDED CABINET SIZE.
8. SEE "DOOR DETAIL" & "CONTROL PANEL" DIMENSIONS ON SHEET 1.

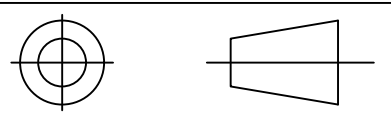


BUS DETAIL  
1/2(13) X 2(51) BAR

SIGNATURES		DATE
MODEL	GG	08/24/04
DETAIL		
CHECKED		
ENGRG	MF	
MFG		
QUALITY		
ISSUED		
DRAWING FILE:	50c-2003.dwg	
MODEL / ASSEMBLY FILE:	ZTS(D/CT) 1000-1200 AMP	
# CTQs	⊕	CRITICAL TO QUALITY CHARACTERISTIC

<b>ABB</b>		
TITLE TRANSFER SWITCH LAYOUT 1000-1200A REAR BUS		
FIRST MADE FOR: ZTS(D/CT) 1000-1200 AMP		
SIZE	CAGE CODE	DWG NO
B		50C-2003
SCALE:	N/A	SHEET 2 OF 2

THIRD ANGLE PROJECTION



**ABB PROPRIETARY AND CONFIDENTIAL INFORMATION**  
The information contained in the document has to be kept strictly confidential. Any unauthorized use, reproduction, distribution or disclosure to third parties is strictly forbidden. ABB reserves all rights regarding intellectual Property Rights. Copyright 2018 ABB. All rights reserved

AutoCad Generated

