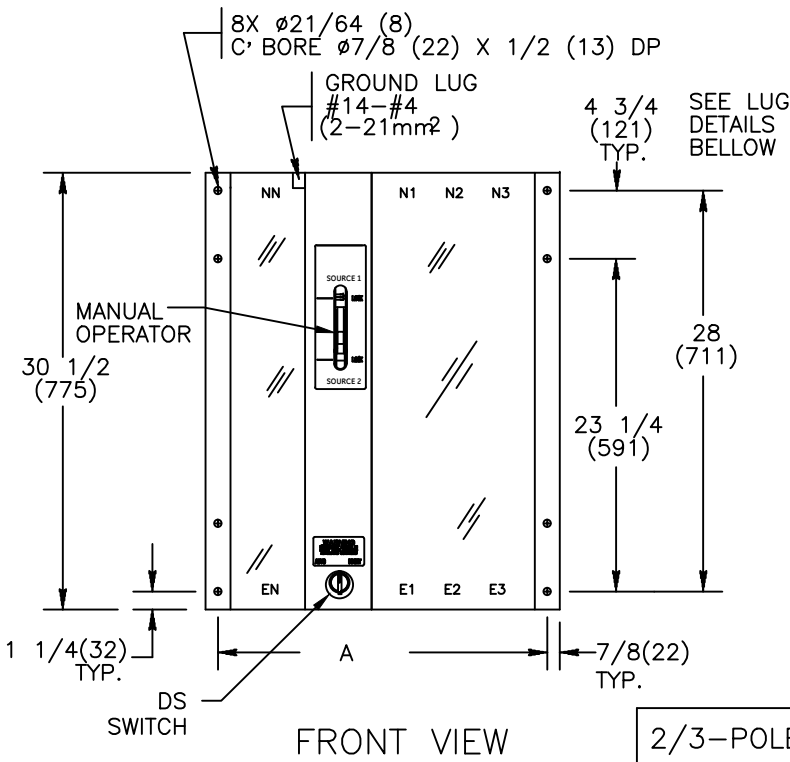
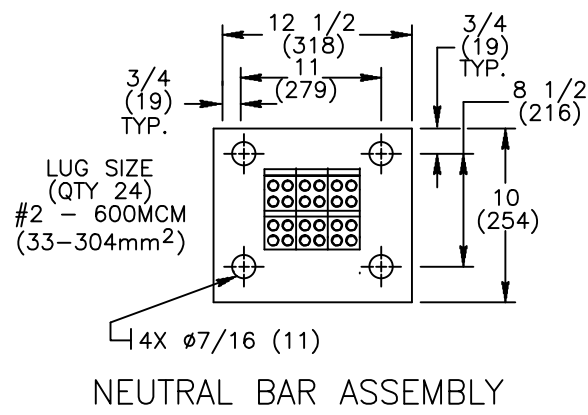
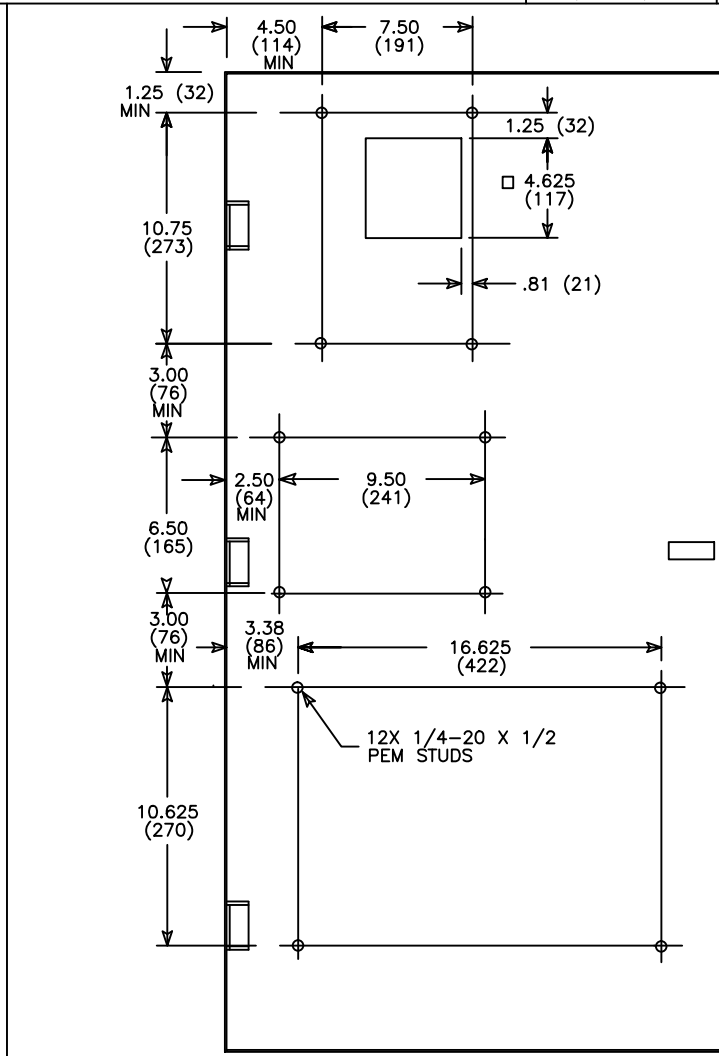
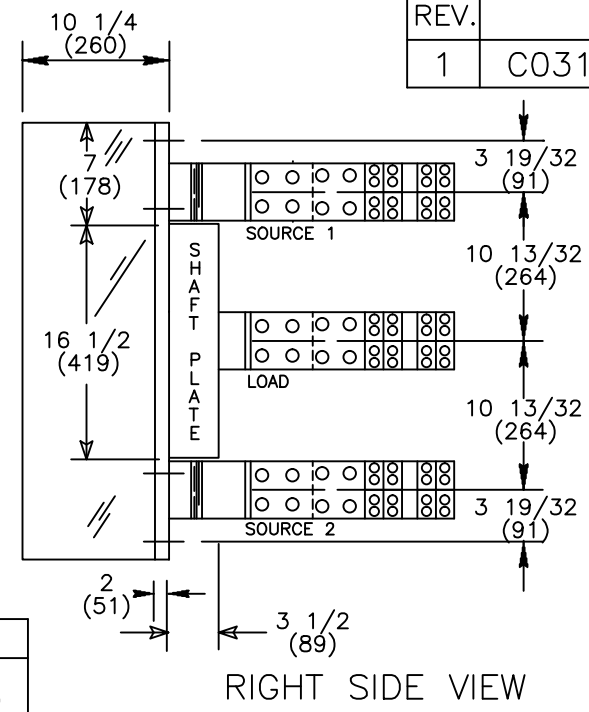


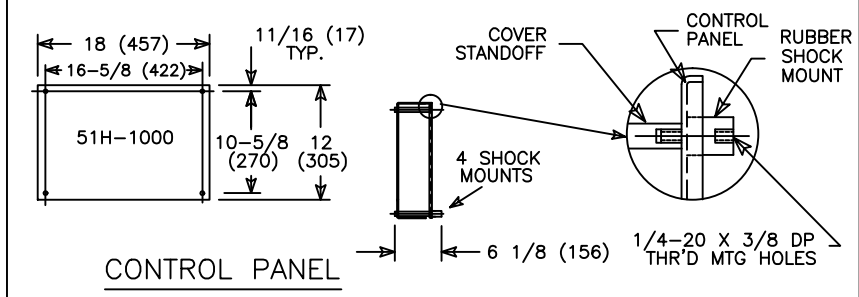
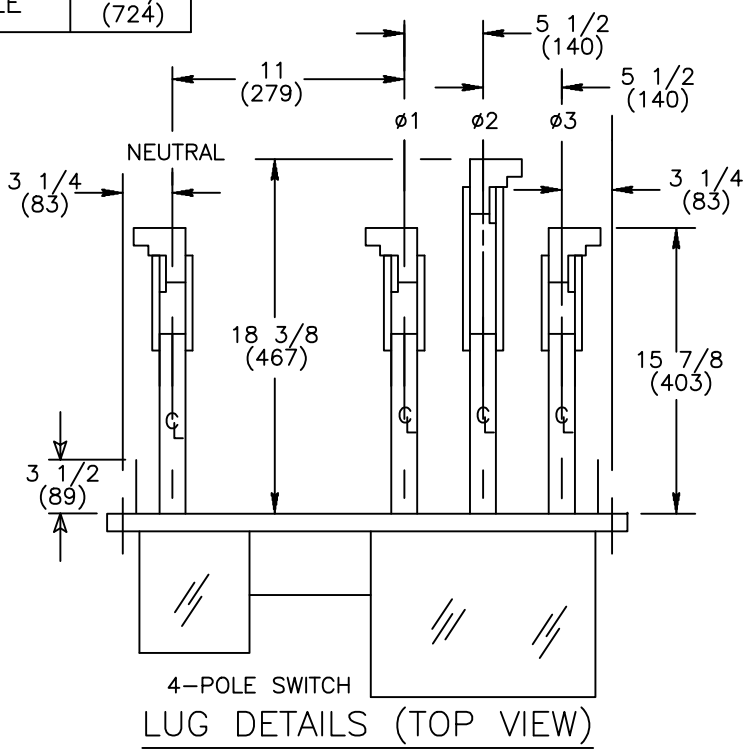
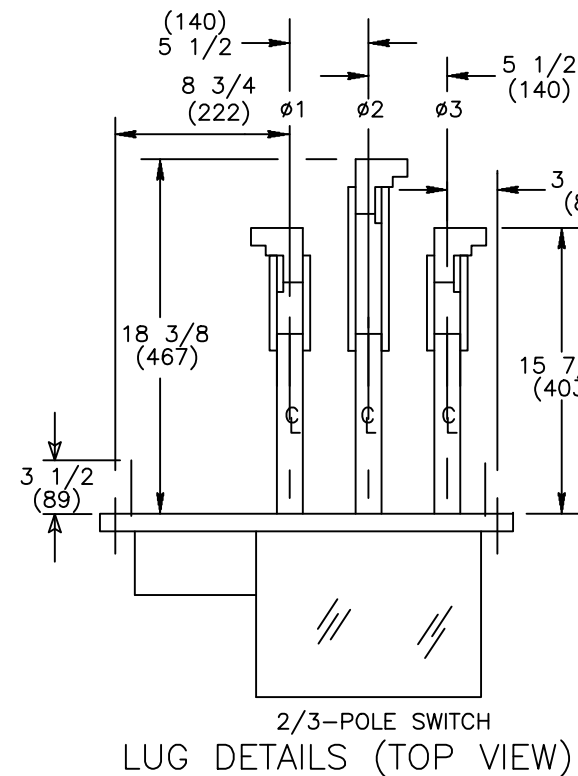
REVISIONS			
REV.	DESCRIPTION	DATE	APPROVED
1	C031728 REVISED DWG	08/24/17	YP MAS



	A
2/3-POLE	23 (584)
4-POLE	28 1/2 (724)



- NOTES:
- CONSTRUCTION PER UL 1008 STANDARD.
  - OPEN TYPE SWITCH SUPPLIED WITH 6 FT. (1.8m) LONG HARNESS BETWEEN POWER AND CONTROL PANELS. HARNESS EXITS FROM LOWER RIGHT CORNER OF POWER PANEL.
  - REAR CONNECT DESIGN. REAR OR SIDE ACCESS REQUIRED.
  - MAINTAIN ELECTRICAL CLEARANCE OF 1(25mm) MIN. BETWEEN LIVE METAL PARTS AND GROUNDED METAL.
  - DIMENSIONS FOR 3-POLE AND 4-POLE SWITCHES ARE IDENTICAL EXCEPT AS NOTED. ALL DIMENSIONS ARE FOR REFERENCE ONLY AND SHOWN IN INCHES(MILLIMETERS).
  - LUGS ARE OPTIONAL(SHOWN FOR REFERENCE). ADD LUG OPTION IN ORDER AS REQUIRED.
  - REFER LUG TORQUE LABEL FOR TORQUE INFORMATION.
  - REFER NEMA-1 CABINET DRAWING FOR RECOMMENDED CABINET SIZE.



	LUG SIZE
3000 AMP	(QTY 8) #2 - 600 MCM (33-304mm²)

SIGNATURES		DATE
MODEL	SG	2/03/97
DETAIL		
CHECKED		
ENGRG	SB	2/03/97
MFG		
QUALITY		
ISSUED		
DRAWING FILE:		50c-2005.dwg
MODEL / ASSEMBLY FILE:		ZTS 3000 AMP 2,3 & 4 POLES
# CTQS		
	⊕	CRITICAL TO QUALITY CHARACTERISTIC

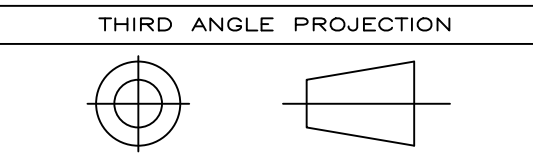
**GE Zenith Controls**

TITLE: OPEN TYPE ATS-LAYOUT REAR BUS WITH LUG

FIRST MADE FOR: ZTS 3000 AMP 2,3 & 4 POLES

SIZE: B CAGE CODE: DWG NO: 50C-2005

SCALE: N/A SHEET 1 OF 2

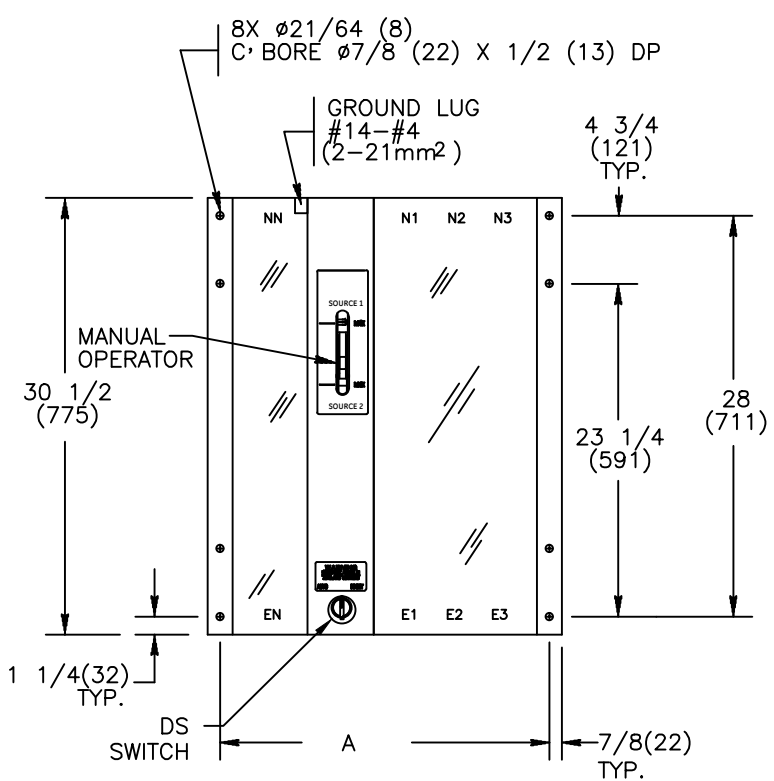


GE PROPRIETARY AND CONFIDENTIAL INFORMATION

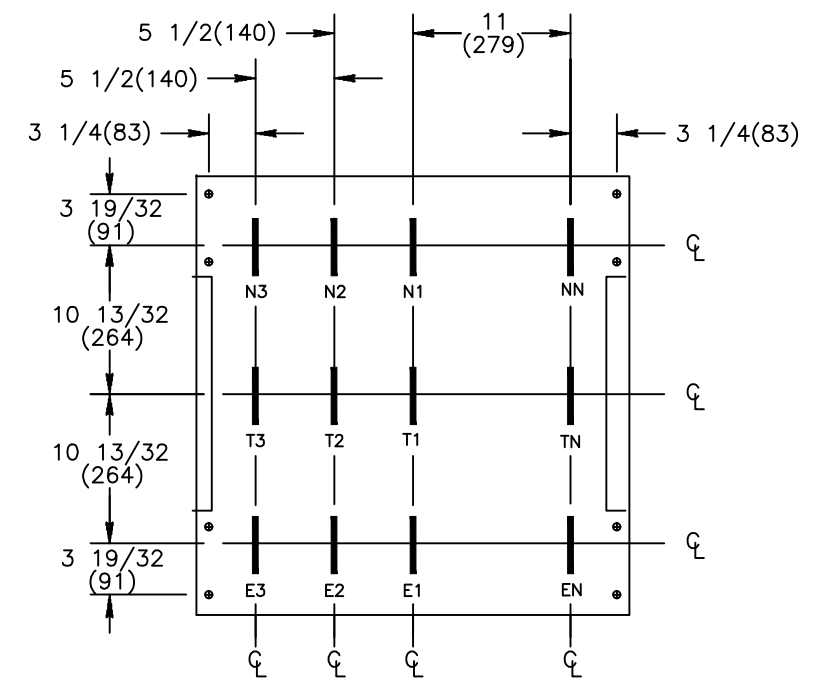
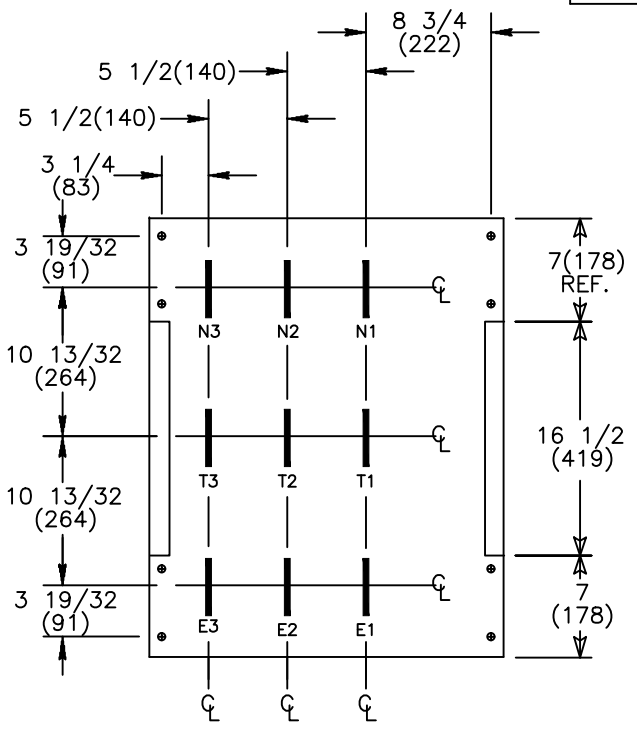
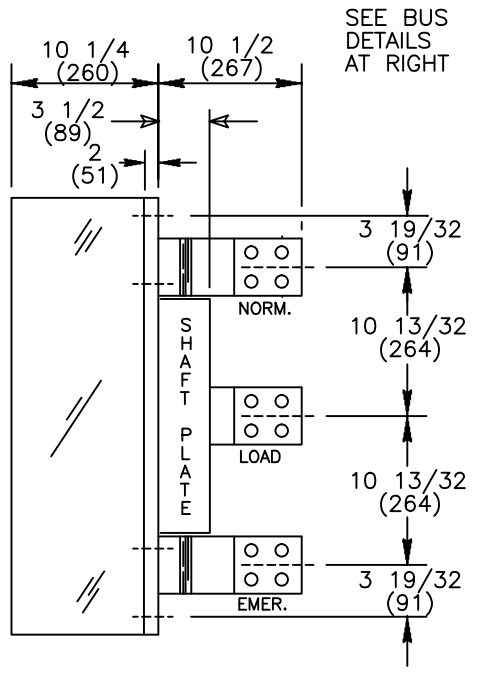
This document is the property of General Electric Company ("GE") and contains proprietary information of GE. This document is loaned on the express condition that neither it nor the information contained therein shall be disclosed to others without the express written consent of GE Industrial Systems, and that the information shall be used by the recipient only as approved expressly by GE Industrial Systems. This document shall be returned to GE upon its request. This document may be subject to certain restrictions under U.S. export control laws and regulations.

AutoCad Generated

REVISIONS			
REV.	DESCRIPTION	DATE	APPROVED
1	C031728	08/16/17	YP MAS

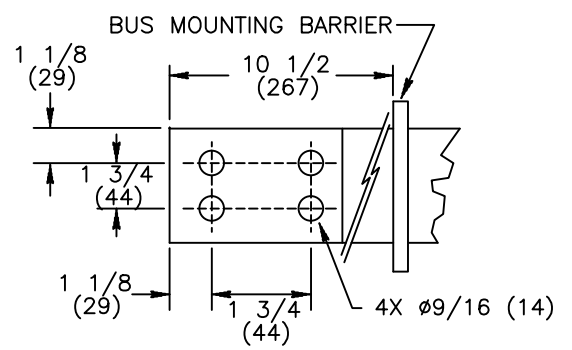


	A
2/3-POLE	23 (584)
4-POLE	28 1/2 (724)



NOTES:

1. OPEN TYPE SWITCH SUPPLIED WITH 6 FT. (1.8m) LONG HARNESS BETWEEN POWER AND CONTROL PANELS. HARNESS EXITS FROM LOWER RIGHT CORNER OF POWER PANEL.
2. MAINTAIN ELECTRICAL CLEARANCE OF 1(25mm) MIN. BETWEEN LIVE METAL PARTS AND GROUNDED METAL.
3. ALL DIMENSIONS ARE FOR REFERENCE ONLY AND SHOWN IN INCHES(MILLIMETERS).
4. SEE "DOOR DETAIL" & "CONTROL PANEL" DIMENSIONS ON SHEET 1.



SIGNATURES		DATE
MODEL	SG	2/03/97
DETAIL		
CHECKED		
ENGRG	SB	2/03/97
MFG		
QUALITY		
ISSUED		
DRAWING FILE:		50c-2005.dwg
MODEL / ASSEMBLY FILE:		ZTS 3000 AMP, 2,3 & 4 POLES
# CTQs	⊖	CRITICAL TO QUALITY CHARACTERISTIC

**GE Zenith Controls**

TITLE

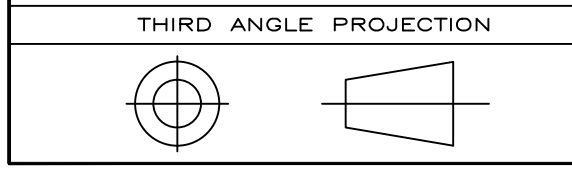
OPEN TYPE ATS  
REAR BUS

FIRST MADE FOR: ZTS 3000 AMP, 2,3 & 4 POLES

SIZE	CAGE CODE	DWG NO
B		50C-2005

SCALE: N/A

SHEET 2 OF 2



GE PROPRIETARY AND CONFIDENTIAL INFORMATION

This document is the property of General Electric Company ("GE") and contains proprietary information of GE. This document is loaned on the express condition that neither it nor the information contained therein shall be disclosed to others without the express written consent of GE Industrial Systems, and that the information shall be used by the recipient only as approved expressly by GE Industrial Systems. This document shall be returned to GE upon its request. This document may be subject to certain restrictions under U.S. export control laws and regulations.

AutoCad Generated