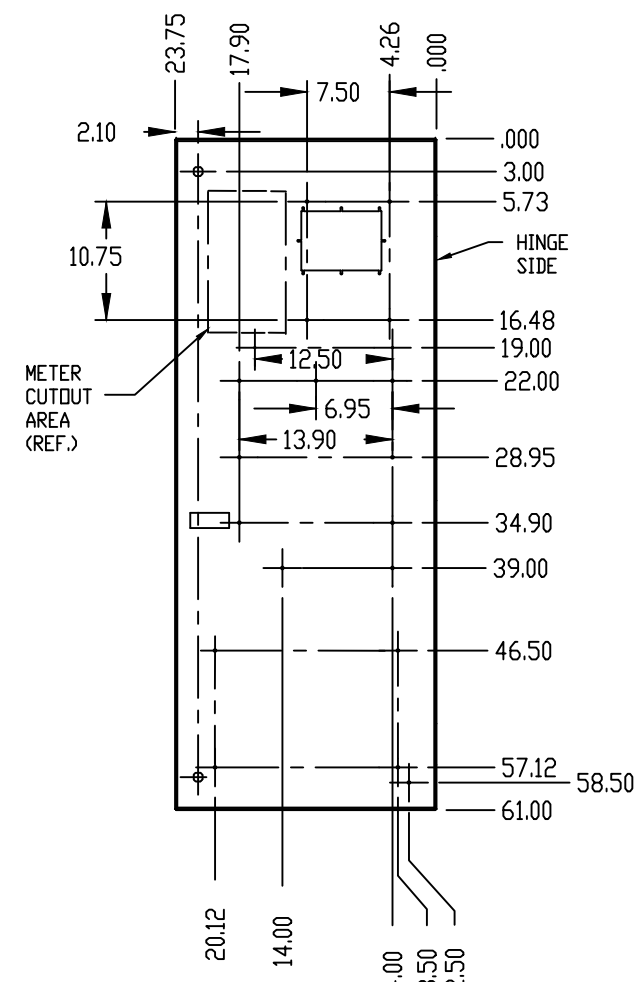


FRONT VIEW

RIGHT SIDE VIEW

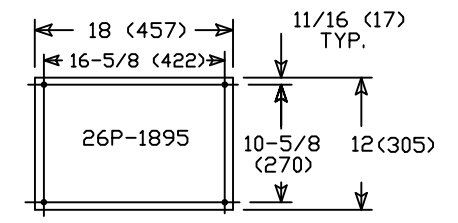
VIEW SHOWN: 100-400A ZTSCT W/ MECHANICAL LUGS

REVISIONS			
REV.	DESCRIPTION	DATE	APPROVED
2	C076901	09/20/19	AR MAS



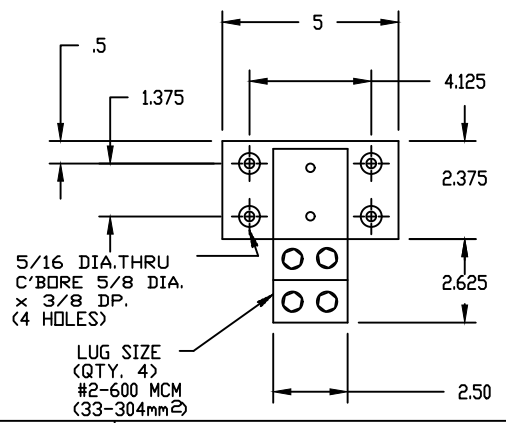
DOOR DETAIL (INSIDE VIEW)

- NOTES:
- CONSTRUCTION PER UL 1008 STANDARD.
  - OPEN TYPE SWITCH SUPPLIED WITH 6 FT. (1.8m) LONG HARNESS BETWEEN POWER AND CONTROL PANELS. HARNESS EXITS FROM LOWER RIGHT CORNER OF POWER PANEL.
  - DO NOT RUN CABLES IN FRONT OF SWITCH. RUN ALL CABLES ON SIDES.
  - MAINTAIN ELECTRICAL CLEARANCE OF 1(25mm) MIN. BETWEEN LIVE METAL PARTS AND GROUNDED METAL.
  - DIMENSIONS ARE FOR REFERENCE ONLY AND SHOWN IN INCHES(MILLIMETERS).
  - SWITCH SUPPLIED WITH STANDARD MECHANICAL LUG, RATED FOR AL&CU CABLES.
  - REFER LUG TORQUE LABEL FOR TORQUE INFORMATION.
  - REFER NEMA-1 CABINET DRAWING FOR RECOMMENDED CABINET SIZE.



AUXILIARY PANEL

100-400 AMP NEUTRAL BAR ASSEMBLY MOUNTING DETAIL



THIRD ANGLE PROJECTION

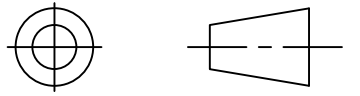
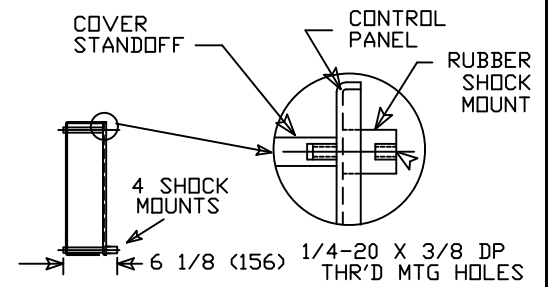


ABB PROPRIETARY AND CONFIDENTIAL INFORMATION

The information contained in the document has to be kept strictly confidential. Any unauthorized use, reproduction, distribution or disclosure to third parties is strictly forbidden. ABB reserves all rights regarding intellectual Property Rights. Copyright 2018 ABB. All rights reserved

	QTY.	LUG SIZES	NOTE
100-400A	1	#4 - 600 MCM (21-304 MM <sup>2</sup> )	DRAWING SHOWN WITH 600 MCM LUG CONFIGURATION FOR REFERENCE ONLY.



FOR ADDITIONAL INFO REFER TO	SIGNATURES	DATE
APPLIED PRACTICES	MODEL PM	06/16/09
UNLESS OTHERWISE SPECIFIED DIMENSIONS ARE IN INCHES	DETAIL	
TOLERANCES ON:	CHECKED	
2 PL. DECIMALS ± .020	ENGRG PM	06/16/09
3 PL. DECIMALS ± .005	MFG	
ANGLES ± 1°	QUALITY	
FRACTIONS ± 1/64	ISSUED	
FINISH	DRAWING FILE: 50C-2008.dwg	
✓	MODEL / ASSEMBLY FILE: ZTSCT100-400	



OPEN TYPE ATS LAYOUT FOR 100-400A - FRONT LUG

FIRST MADE FOR: 100-400 ZTSCT	SIZE	CAGE CODE	DWG NO
	B		50C-2008
SCALE: NA	SHEET		1 OF 1

AutoCad Generated

# CTGs

CRITICAL TO QUALITY CHARACTERISTIC