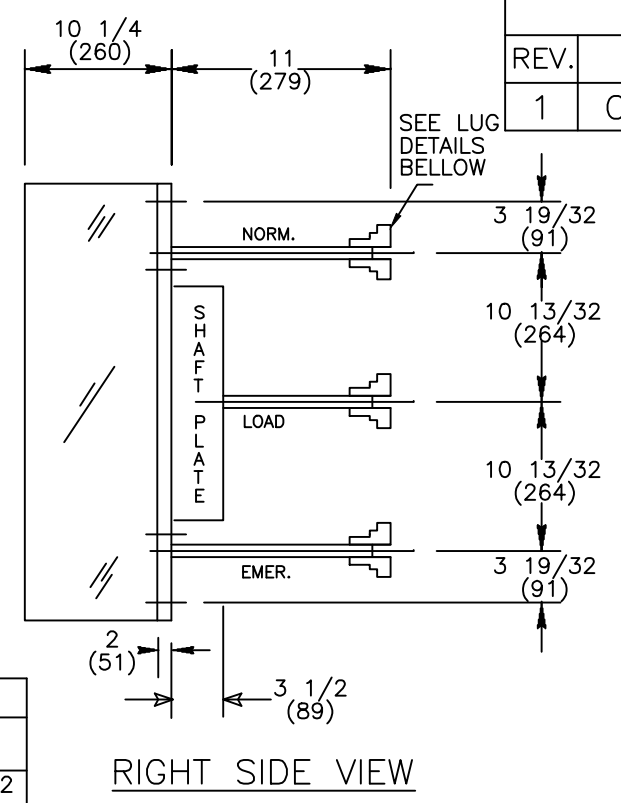
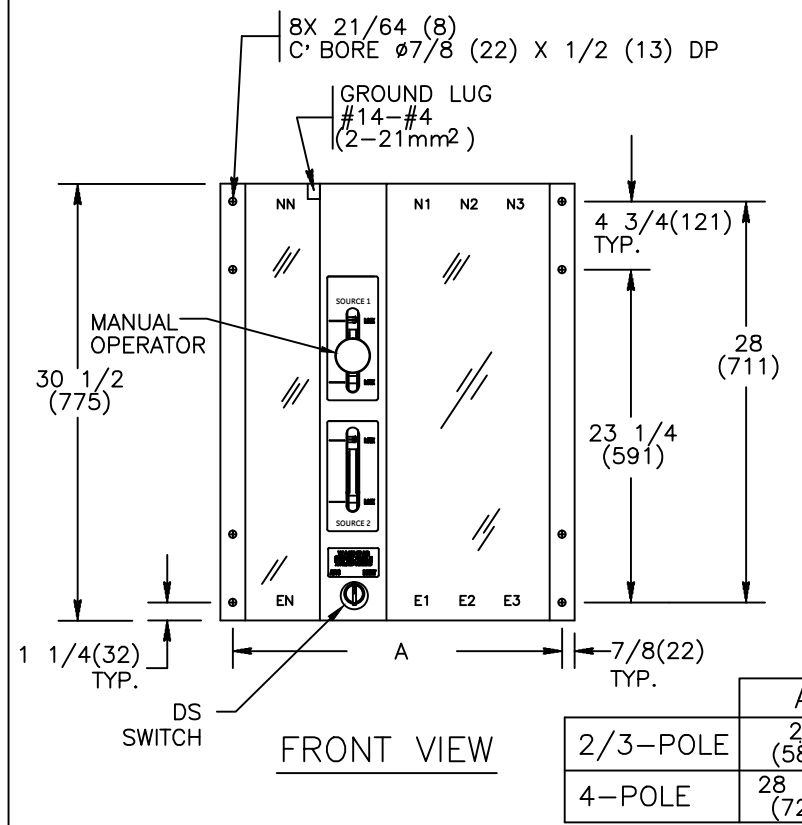
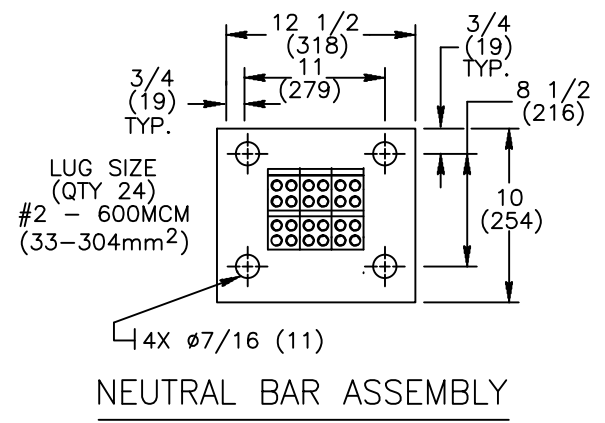
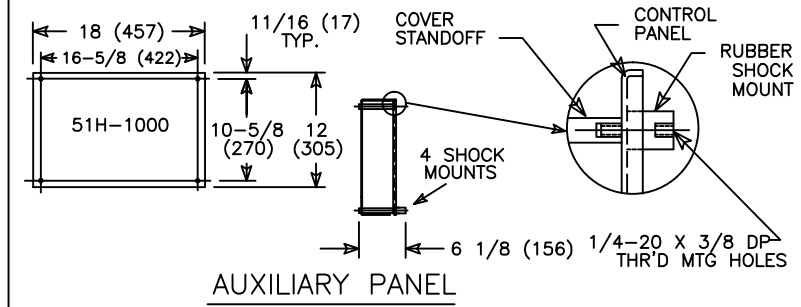
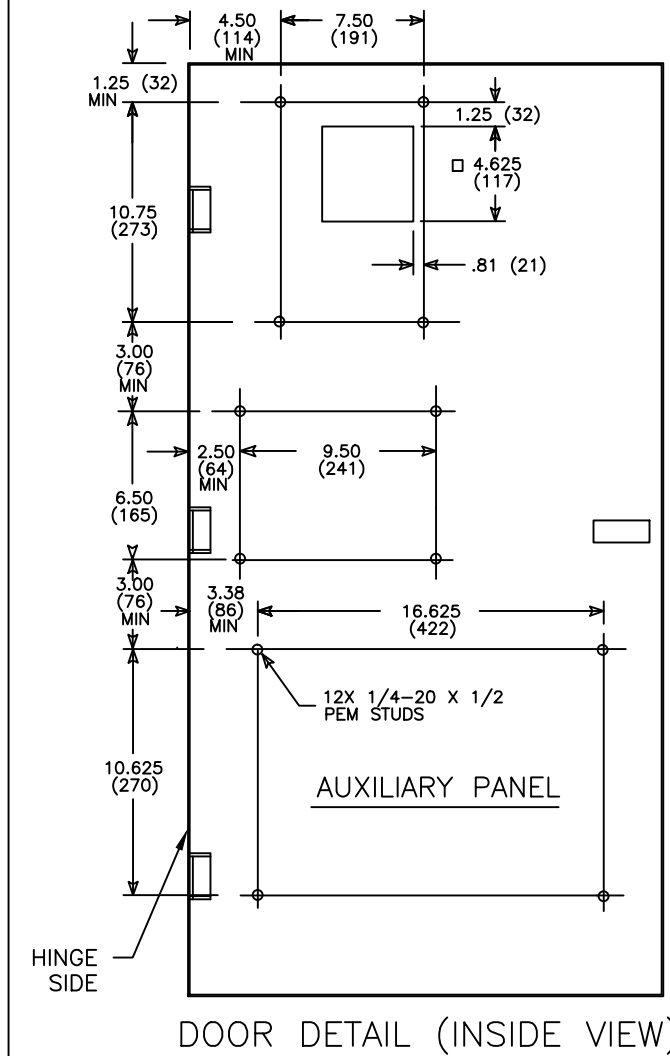
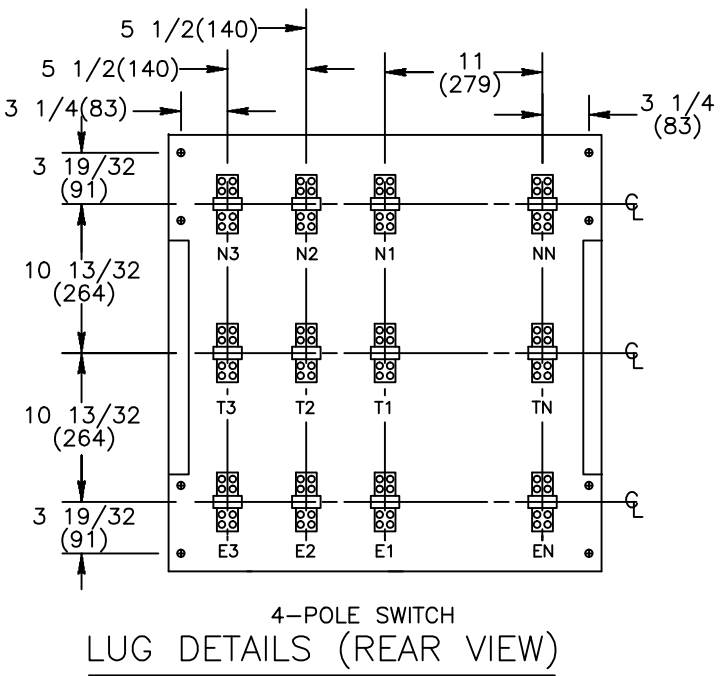
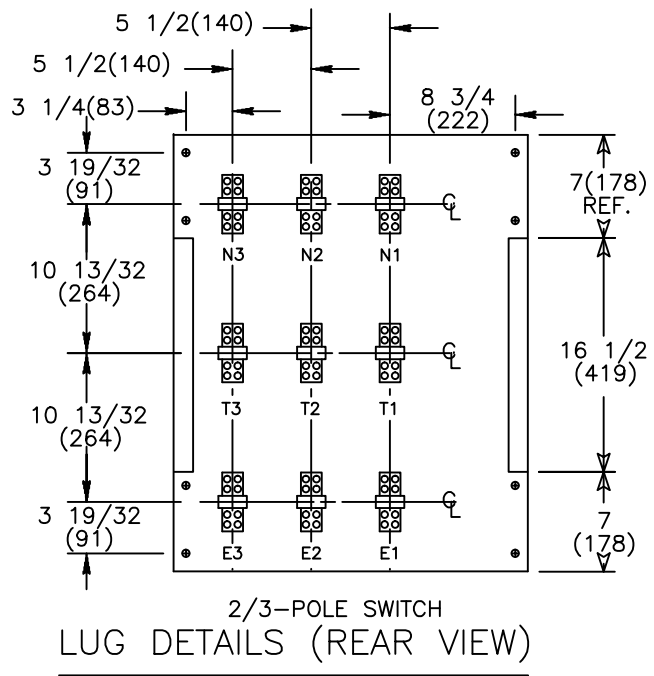


REVISIONS			
REV.	DESCRIPTION	DATE	APPROVED
1	C033336	08/24/17	YP MAS



	A
2/3-POLE	23 (584)
4-POLE	28 1/2 (724)



- NOTES:
1. CONSTRUCTION PER UL 1008 STANDARD.
  2. OPEN TYPE SWITCH SUPPLIED WITH 6 FT. (1.8m) LONG HARNESS BETWEEN POWER AND CONTROL PANELS. HARNESS EXITS FROM LOWER RIGHT CORNER OF POWER PANEL.
  3. REAR CONNECT DESIGN. REAR OR SIDE ACCESS REQUIRED.
  4. MAINTAIN ELECTRICAL CLEARANCE OF 1(25mm) MIN. BETWEEN LIVE METAL PARTS AND GROUNDED METAL.
  5. DIMENSIONS FOR 3-POLE AND 4-POLE SWITCHES ARE IDENTICAL EXCEPT AS NOTED. ALL DIMENSIONS ARE FOR REFERENCE ONLY AND SHOWN IN INCHES(MILLIMETERS).
  6. LUGS ARE OPTIONAL(SHOWN FOR REFERENCE). ADD LUG OPTION IN ORDER AS REQUIRED.
  7. REFER LUG TORQUE LABEL FOR TORQUE INFORMATION.
  8. REFER NEMA-1 CABINET DRAWING FOR RECOMMENDED CABINET SIZE.
  9. 100% RATED SOLID/SWITCH NEUTRAL PROVIDED PER THE SWITCH CONFIGURATION.

\* SEE NOTE 6 FOR LUG OFFERING:

LUG DETAILS	LUG SIZE
1600-2000 AMP	(QTY 8) #2- 600 MCM (33-304mm²)

SIGNATURES		DATE
MODEL	SG	2/03/97
DETAIL		
CHECKED		
ENGRG	SB	2/03/97
MFG		
QUALITY		
ISSUED		
DRAWING FILE:		50C-2010.dwg
MODEL / ASSEMBLY FILE:		ZTSD(CT) 1600-2000 AMP
# CTQS	⊕	CRITICAL TO QUALITY CHARACTERISTIC

**GE Zenith Controls**

TITLE: OPEN TYPE ATS-LAYOUT  
1600-2000A REAR BUS W/LUG

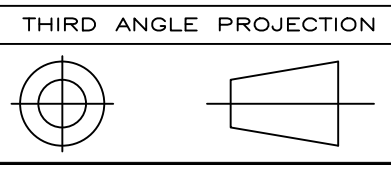
FIRST MADE FOR: ZTSD(CT) 1600-2000 AMP 2,3 & 4 POLES

SIZE	CAGE CODE	DWG NO
B		50C-2010

SCALE: N/A SHEET 1 OF 2

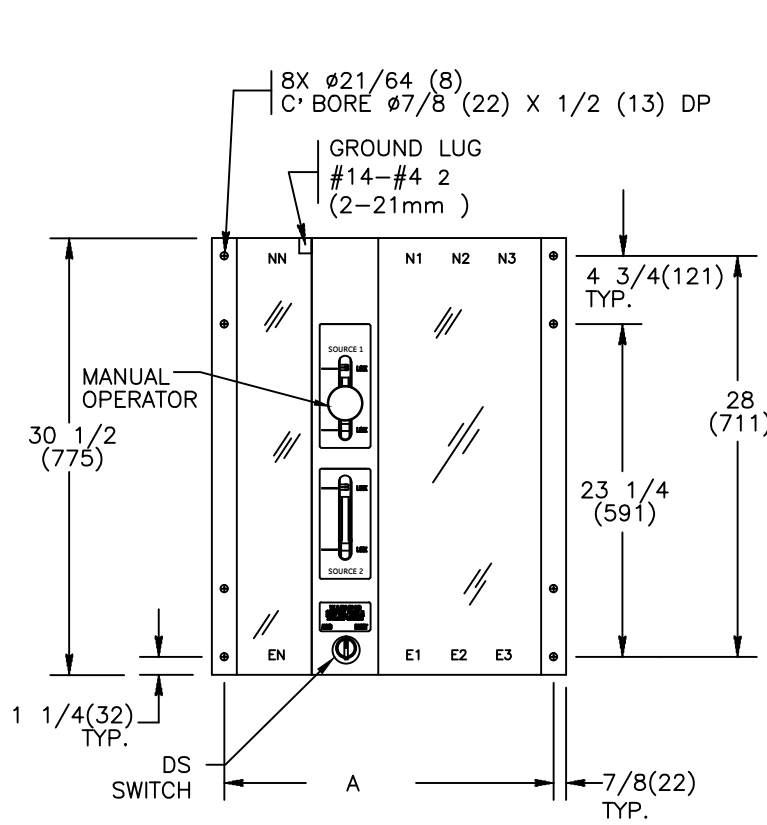
GE PROPRIETARY AND CONFIDENTIAL INFORMATION

This document is the property of General Electric Company ("GE") and contains proprietary information of GE. This document is loaned on the express condition that neither it nor the information contained therein shall be disclosed to others without the express written consent of GE Industrial Systems, and that the information shall be used by the recipient only as approved expressly by GE Industrial Systems. This document shall be returned to GE upon its request. This document may be subject to certain restrictions under U.S. export control laws and regulations.

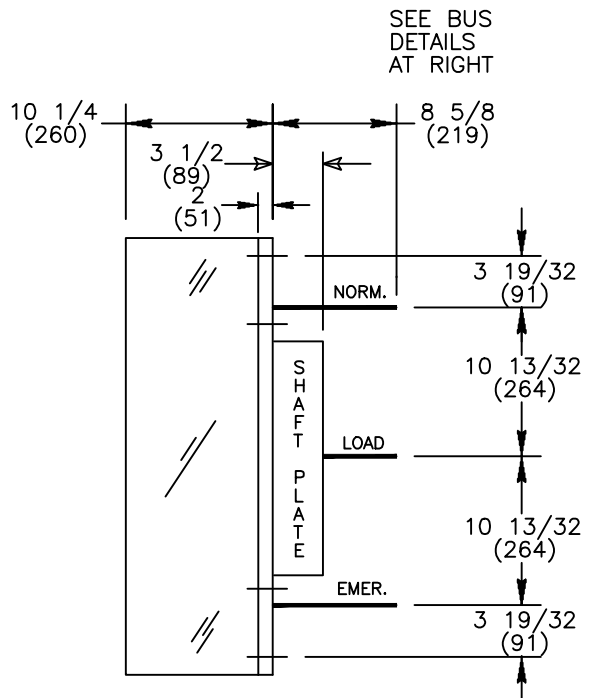


AutoCad Generated

REVISIONS			
REV.	DESCRIPTION	DATE	APPROVED
1	C033336 REVISED DWG	08/24/17	YP MAS

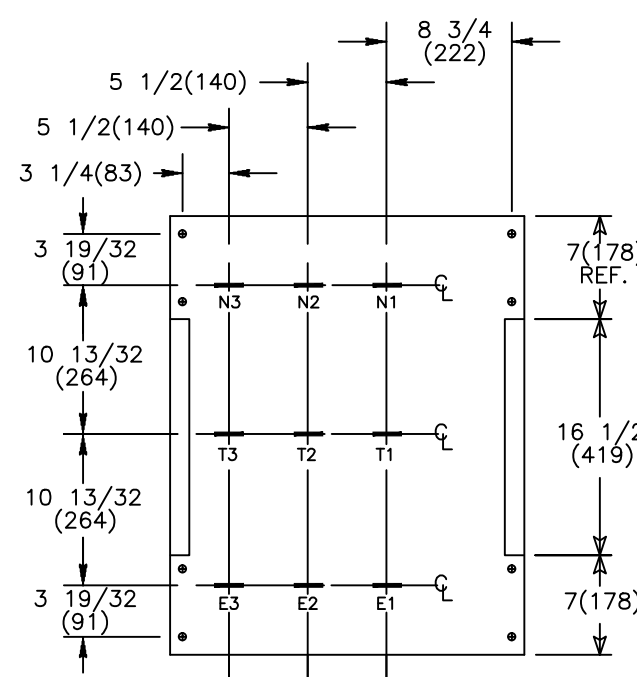


FRONT VIEW



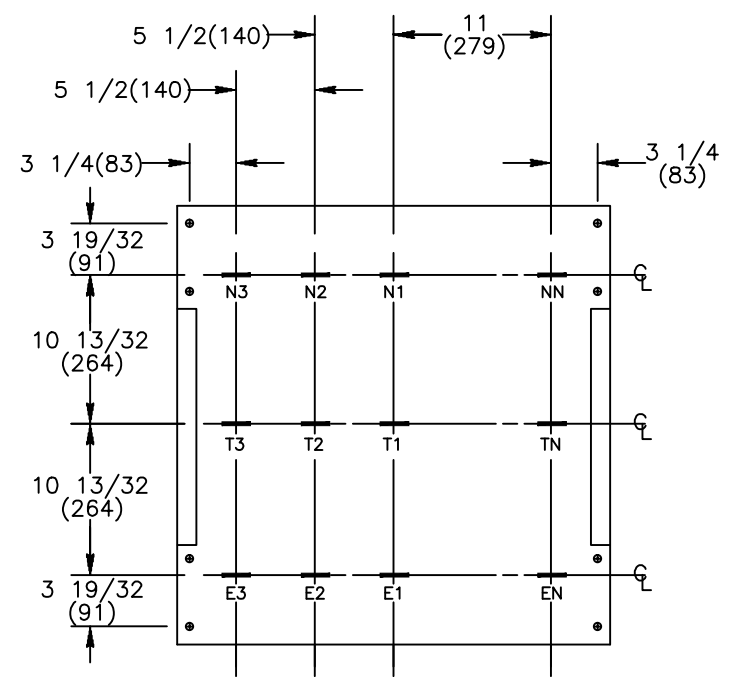
RIGHT SIDE VIEW

	A
2/3-POLE	23 (584)
4-POLE	28 1/2 (724)



3-POLE SWITCH

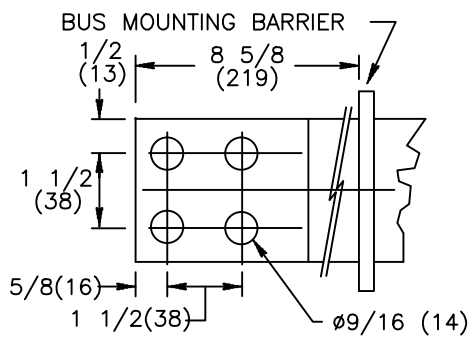
BUS DETAILS (REAR VIEW)



4-POLE SWITCH

BUS DETAILS (REAR VIEW)

- NOTES:
1. OPEN TYPE SWITCH SUPPLIED WITH 6 FT. (1.8m) LONG HARNESS BETWEEN POWER AND CONTROL PANELS. HARNESS EXITS FROM LOWER RIGHT CORNER OF POWER PANEL.
  2. MAINTAIN ELECTRICAL CLEARANCE OF 1(25mm) MIN. BETWEEN LIVE METAL PARTS AND GROUNDED METAL.
  3. ALL DIMENSIONS ARE FOR REFERENCE ONLY AND SHOWN IN INCHES(MILLIMETERS).
  4. REFER SHEET 1 FOR DETAILS.



BUS DETAIL  
3/4(19) x 2 1/2(64)  
BAR

SIGNATURES		DATE
MODEL	SG	2/03/97
DETAIL		
CHECKED		
ENGRG	SB	2/03/97
MFG		
QUALITY		
ISSUED		
DRAWING FILE:		50c-2010.dwg
MODEL / ASSEMBLY FILE:		ZTSD(CT) 1600-2000 AMP
# CTQs	⊖	CRITICAL TO QUALITY CHARACTERISTIC

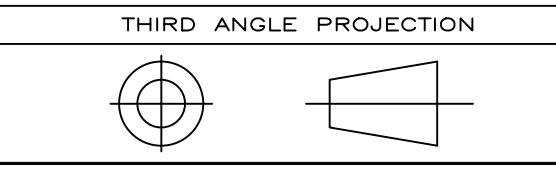
**GE Zenith Controls**

TITLE: OPEN TYPE ATS-LAYOUT REAR BUS - NO LUG

FIRST MADE FOR: ZTSD(CT) 1600-2000 AMP

SIZE	CAGE CODE	DWG NO
B		50C-2010

SCALE: N/A SHEET 2 OF 2



GE PROPRIETARY AND CONFIDENTIAL INFORMATION

This document is the property of General Electric Company ("GE") and contains proprietary information of GE. This document is loaned on the express condition that neither it nor the information contained therein shall be disclosed to others without the express written consent of GE Industrial Systems, and that the information shall be used by the recipient only as approved expressly by GE Industrial Systems. This document shall be returned to GE upon its request. This document may be subject to certain restrictions under U.S. export control laws and regulations.

AutoCad Generated