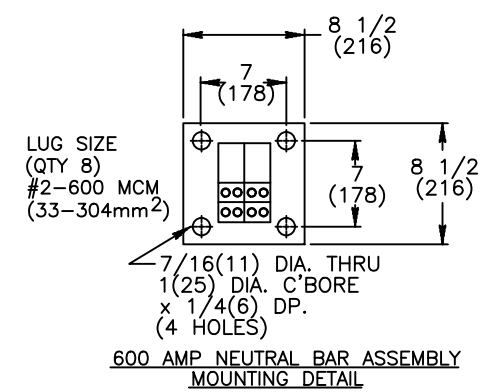
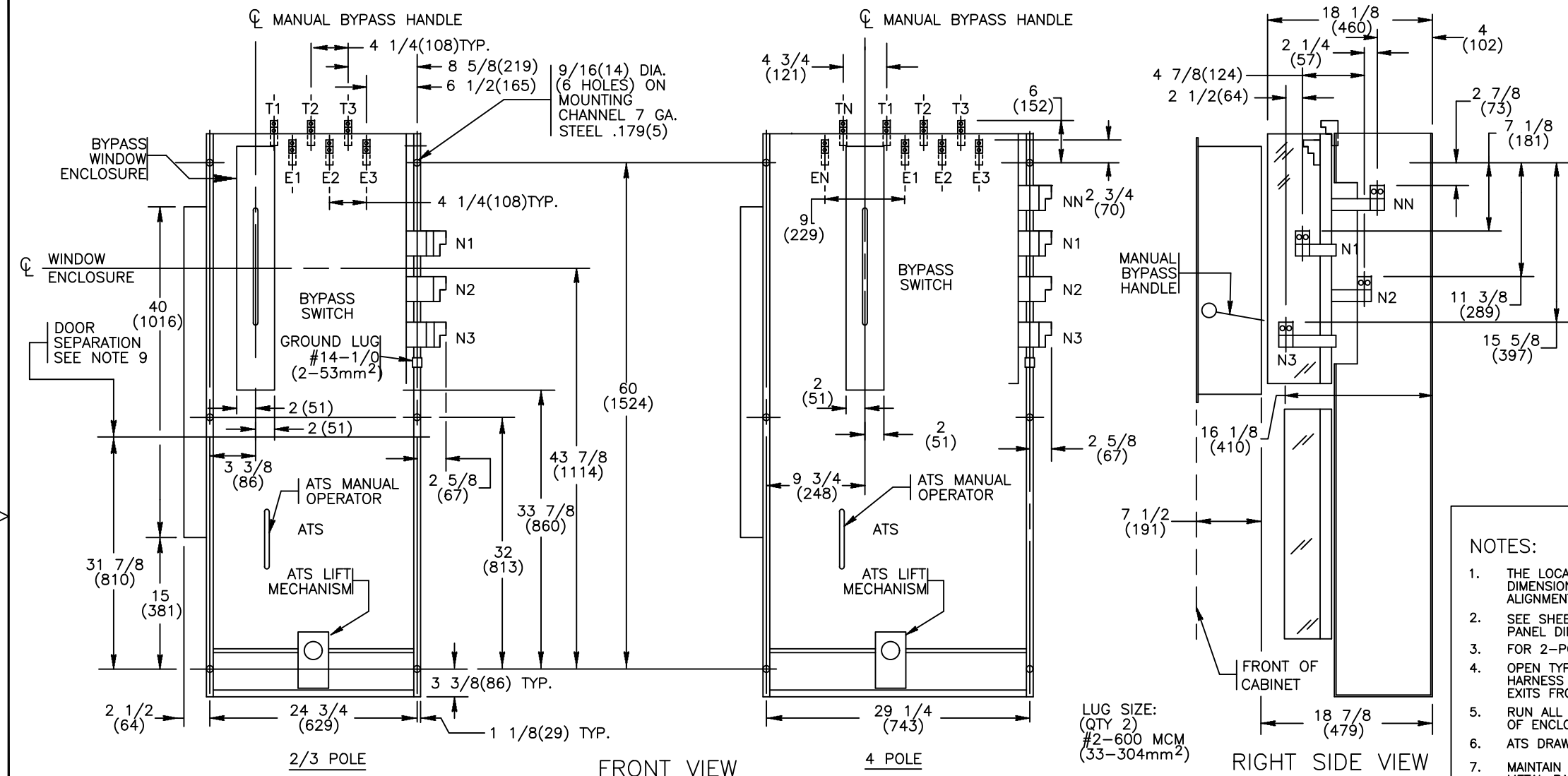


REVISIONS			
REV.	DESCRIPTION	DATE	APPROVED
1	C076901 UPDATED REBRANDING	09/20/19	AR MAS

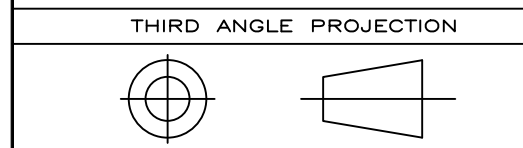


- NOTES:
1. THE LOCATION OF THE WINDOW ENCLOSURE WITH RELATION TO THE DIMENSIONS OF THE OPEN STYLE BYPASS SWITCH ARE CRITICAL TO THE ALIGNMENT OF THE MANUAL BYPASS HANDLE.
  2. SEE SHEET 3 FOR RECOMMENDED DOOR MODIFICATIONS AND CONTROL PANEL DIMENSIONS.
  3. FOR 2-POLE SWITCHES, OMIT CENTER POLE.
  4. OPEN TYPE BYPASS SWITCH IS SUPPLIED WITH 6 FT. (1.8m) LONG HARNESS BETWEEN ATS POWER AND CONTROL PANELS. HARNESS EXITS FROM CENTER RIGHT OF SWITCH FRAME.
  5. RUN ALL CABLES IN REAR OF ENCLOSURE. NO CABLE ENTRY IN FRONT OF ENCLOSURE.
  6. ATS DRAWS OUT TOWARD FRONT OF ENCLOSURE.
  7. MAINTAIN ELECTRICAL CLEARANCE OF 1" (25mm) MINIMUM BETWEEN LIVE METAL PARTS AND GROUNDED METAL.
  8. CUSTOMERS CUBICLE MUST INCLUDE A TWO DOOR FRONT. THE TOP DOOR (WHICH ALLOWS ACCESS TO THE BYPASS UNIT) CANNOT BE OPENED UNTIL BOTTOM DOOR IS OPENED.
  9. DIMENSIONS FOR 3-POLE AND 4-POLE SWITCHES ARE IDENTICAL EXCEPT AS NOTED.
  10. ALL DIMENSIONS ARE FOR REFERENCE ONLY AND SHOWN IN INCHES(MILLIMETERS).

LUG SIZE		
600 A	(QTY 2)	#2- 600 MCM (33-304mm²)

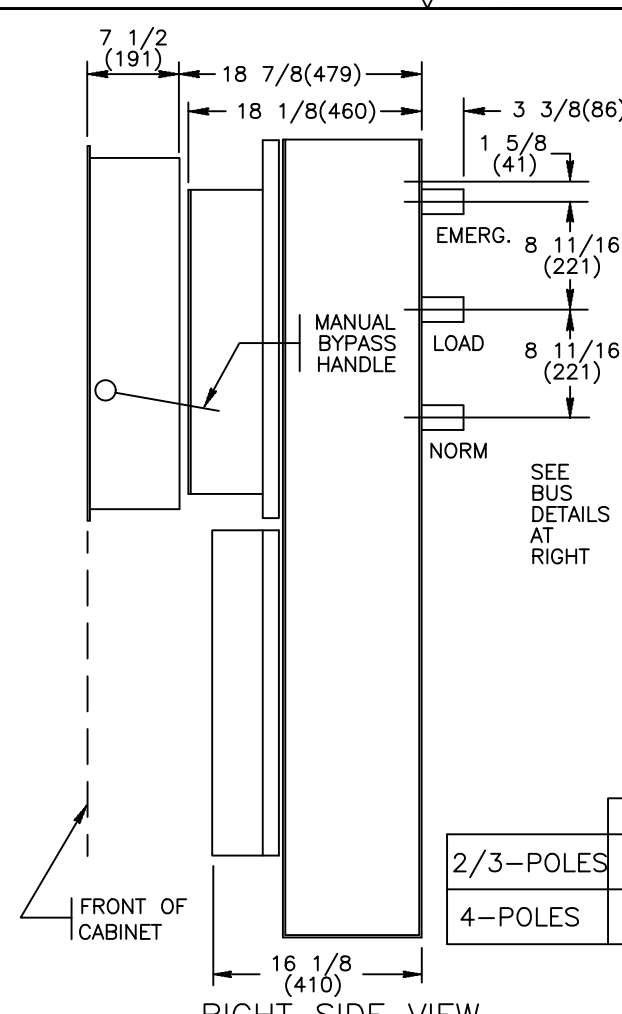
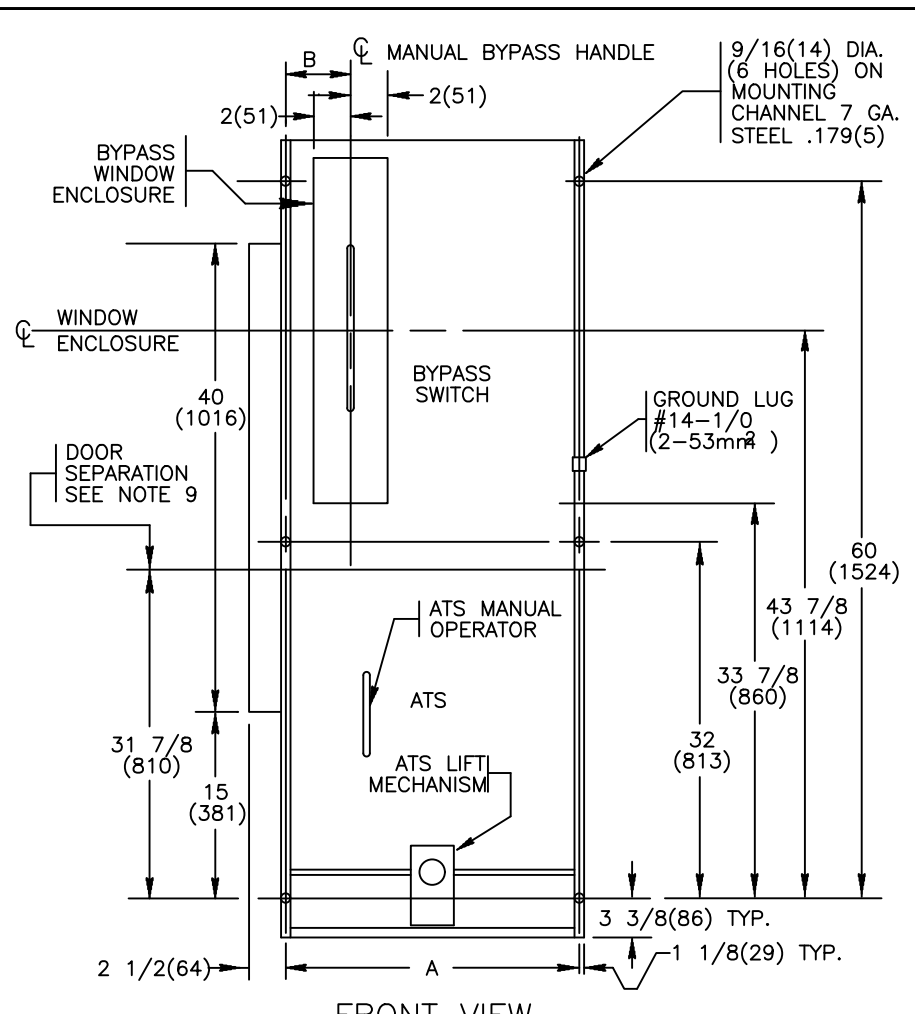
SIGNATURES	DATE
MODEL JP	2/19/97
DETAIL	
CHECKED	
ENGRG SB	2/19/97
MFG	
QUALITY	
ISSUED	
DRAWING FILE: 50c-2021.dwg	
MODEL / ASSEMBLY FILE: ZBTS 600 AMPS 2,3, & POLES	
# CTQs	⊖ CRITICAL TO QUALITY CHARACTERISTIC

<b>ABB</b>	
TITLE <b>BYPASS SWITCH FRONT LUGS</b>	
FIRST MADE FOR: ZBTS 600 AMPS 2,3, & POLES	DWG NO
SIZE B	50C-2021
SCALE: N/A	SHEET 1 OF 3

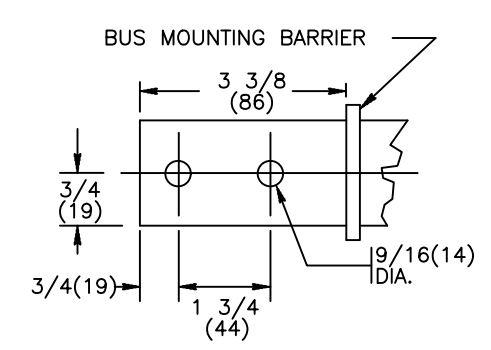
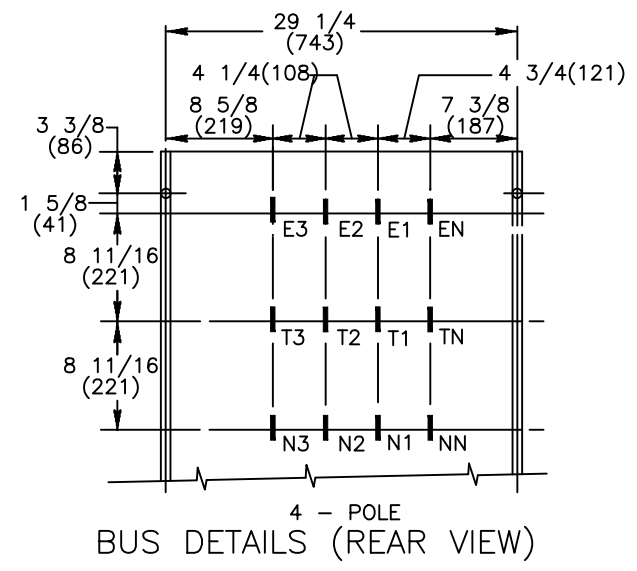
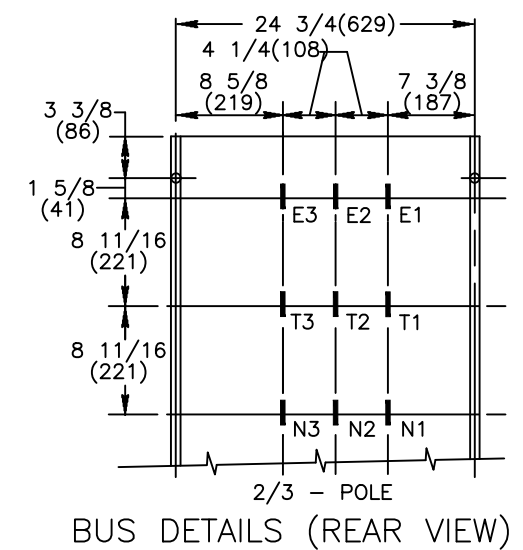


**ABB PROPRIETARY AND CONFIDENTIAL INFORMATION**  
 The information contained in the document has to be kept strictly confidential. Any unauthorized use, reproduction, distribution or disclosure to third parties is strictly forbidden. ABB reserves all rights regarding intellectual Property Rights. Copyright 2018 ABB. All rights reserved.

AutoCad Generated



	A	B
2/3-POLES	24 3/4 (629)	3 3/8 (86)
4-POLES	29 1/4 (743)	9 3/4 (248)

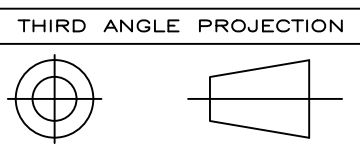


- NOTES:**
1. THE LOCATION OF THE WINDOW ENCLOSURE WITH RELATION TO THE DIMENSIONS OF THE OPEN STYLE BYPASS SWITCH ARE CRITICAL TO THE ALIGNMENT OF THE MANUAL BYPASS HANDLE.
  2. SEE SHEET 3 FOR RECOMMENDED DOOR MODIFICATIONS AND CONTROL PANEL DIMENSIONS.
  3. FOR 2-POLE SWITCHES, OMIT CENTER POLE.
  4. OPEN TYPE BYPASS SWITCH IS SUPPLIED WITH 6 FT. (1.8m) LONG HARNESS BETWEEN ATS POWER AND CONTROL PANELS. HARNESS EXITS FROM CENTER RIGHT OF SWITCH FRAME.
  5. RUN ALL CABLES IN REAR OF ENCLOSURE. NO CABLE ENTRY IN FRONT OF ENCLOSURE.
  6. ATS DRAWS OUT TOWARD FRONT OF ENCLOSURE.
  7. MAINTAIN ELECTRICAL CLEARANCE OF 1" (25mm) MINIMUM BETWEEN LIVE METAL PARTS AND GROUNDED METAL.
  8. CUSTOMERS CUBICLE MUST INCLUDE A TWO DOOR FRONT. THE TOP DOOR (WHICH ALLOWS ACCESS TO THE BYPASS UNIT) CANNOT BE OPENED UNTIL BOTTOM DOOR IS OPENED.
  9. ALL DIMENSIONS ARE FOR REFERENCE ONLY AND SHOWN IN INCHES(MILLIMETERS).

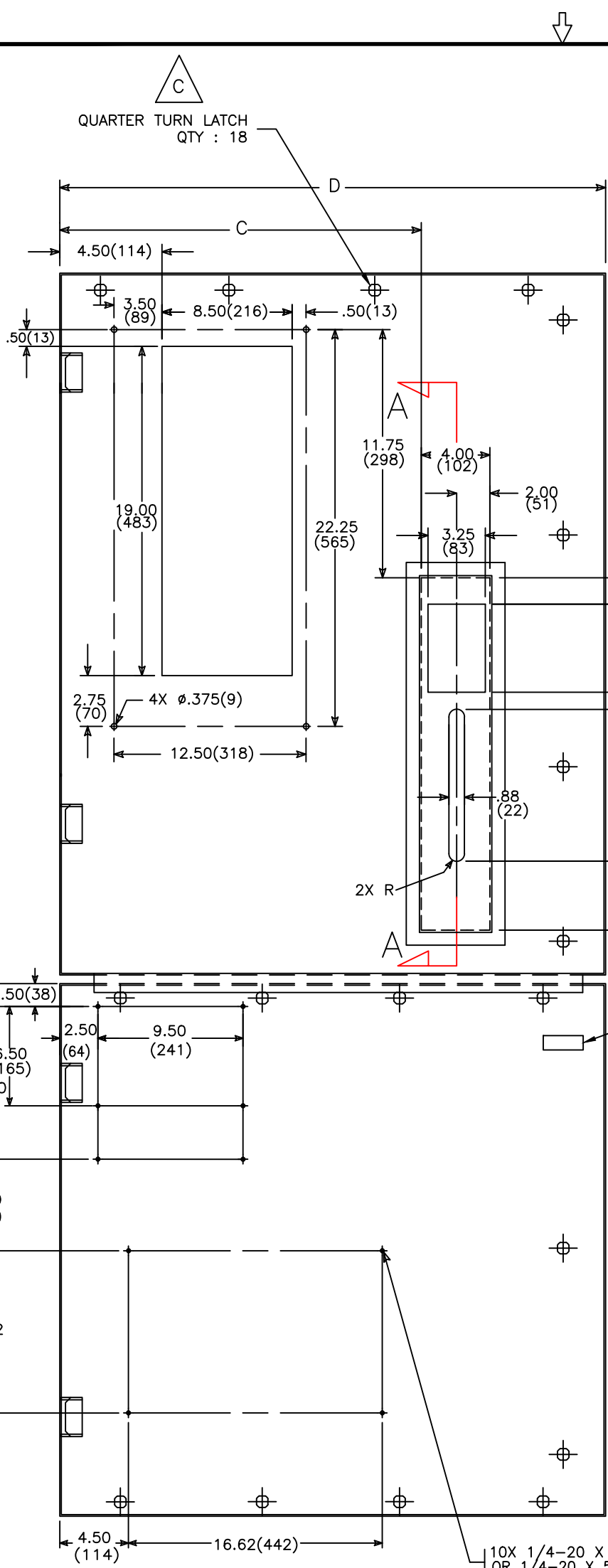


**BYPASS SWITCH  
REAR BUS**

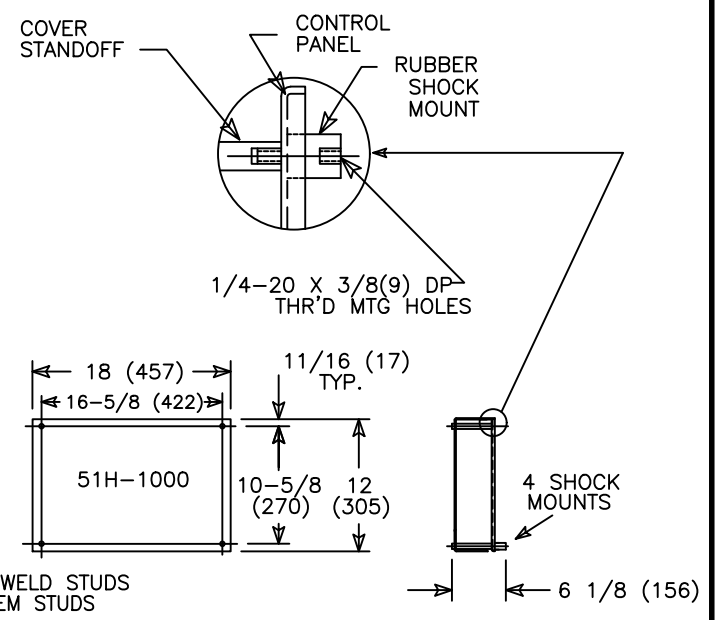
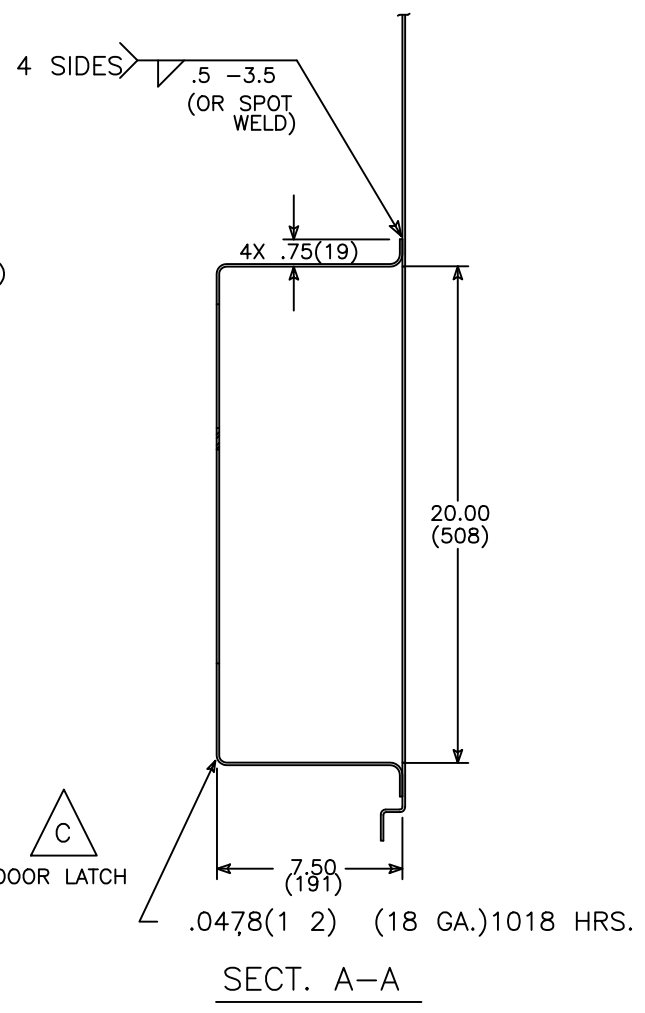
SIGNATURES		DATE	
MODEL	JP	2/12/97	
DETAIL			
CHECKED		TITLE	
ENGRG	SB	2/12/97	
MFG			
QUALITY			
ISSUED		FIRST MADE FOR: ZBTS 600 AMP 2,3 & 4 POLES	
DRAWING FILE: 50c-2021.dwg		SIZE	CAGE CODE
MODEL / ASSEMBLY FILE: ZBTS 600 AMP 2,3 & 4 POLES		B	DWG NO
		50C-2021	
AutoCad Generated		# CTOs	SCALE: N/A
		⊖ CRITICAL TO QUALITY CHARACTERISTIC	SHEET 2 OF 3



**ABB PROPRIETARY AND CONFIDENTIAL INFORMATION**  
The information contained in the document has to be kept strictly confidential. Any unauthorized use, reproduction, distribution or disclosure to third parties is strictly forbidden. ABB reserves all rights regarding intellectual Property Rights. Copyright 2018 ABB. All rights reserved.




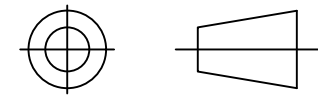
NO. POLES	C	D
2/3 POLES	25.50(648)	35.75(908)
4 POLES	23.12(587)	39.75(1010)



DOOR DETAIL (INSIDE VIEW)

CONTROL PANEL

ALL DIMENSIONS ARE FOR REFERENCE ONLY AND SHOWN IN INCHES(MILLIMETERS).

ABB PROPRIETARY AND CONFIDENTIAL INFORMATION The information contained in the document has to be kept strictly confidential. Any unauthorized use, reproduction, distribution or disclosure to third parties is strictly forbidden. ABB reserves all rights regarding Intellectual Property Rights. Copyright 2018 ABB. All rights reserved.	SIGNATURES MODEL JP DETAIL CHECKED ENGRG SB MFG QUALITY ISSUED		DATE 2/12/97 2/12/97		 TITLE BYPASS SWITCH DOOR MODIFICATIONS
	THIRD ANGLE PROJECTION 		DRAWING FILE: 50c-2021.dwg MODEL / ASSEMBLY FILE: ZBTS 600 AMP 2,3 & 4 POLES		
AutoCad Generated	# CTQs	⊖ CRITICAL TO QUALITY CHARACTERISTIC	SCALE: NA	SHEET 3 OF 3	