

NOTES:

- CONSTRUCTION PER UL 1008 STANDARD
- THE LOCATION OF THE WINDOW ENCLOSURE WITH RELATION TO THE DIMENSIONS OF THE OPEN STYLE BYPASS SWITCH ARE CRITICAL TO THE ALIGNMENT OF THE MANUAL BYPASS HANDLE.
- SEE SHEET 3 FOR RECOMMENDED DOOR MODIFICATIONS AND CONTROL PANEL DIMENSIONS.
- FOR 2-POLE SWITCHES, OMIT CENTER POLE.
- OPEN TYPE BYPASS SWITCH IS SUPPLIED WITH 6 FT. (1.8m) LONG HARNESS BETWEEN ATS POWER AND CONTROL PANELS. HARNESS EXITS FROM CENTER RIGHT OF SWITCH FRAME.
- RUN ALL CABLES IN REAR OF ENCLOSURE. NO CABLE ENTRY IN FRONT OF ENCLOSURE.
- ATS DRAWS OUT TOWARD FRONT OF ENCLOSURE.
- MAINTAIN ELECTRICAL CLEARANCE OF 1" (25mm) MINIMUM BETWEEN LIVE METAL PARTS AND GROUNDED METAL.
- CUSTOMERS CUBICLE MUST INCLUDE A TWO DOOR FRONT. THE TOP DOOR (WHICH ALLOWS ACCESS TO THE BYPASS UNIT) CANNOT BE OPENED UNTIL BOTTOM DOOR IS OPENED.
- DIMENSIONS FOR 3-POLE AND 4-POLE SWITCHES ARE IDENTICAL EXCEPT AS NOTED.
- ALL DIMENSIONS ARE FOR REFERENCE ONLY AND SHOWN IN INCHES(MILLIMETERS).
- SWITCH SUPPLIED WITH STANDARD MECHANICAL LUG, RATED FOR AL&CU CABLES. COMPRESSION LUGS ARE AVAILABLE AS AN OPTION.
- REFER LUG TORQUE LABEL FOR TORQUE INFORMATION.
- REFER NEMA-1 CABINET DRAWING FOR RECOMMENDED CABINET SIZE.

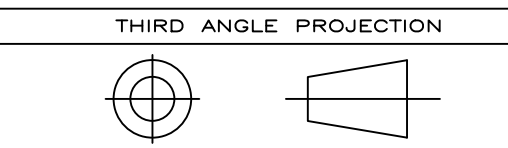
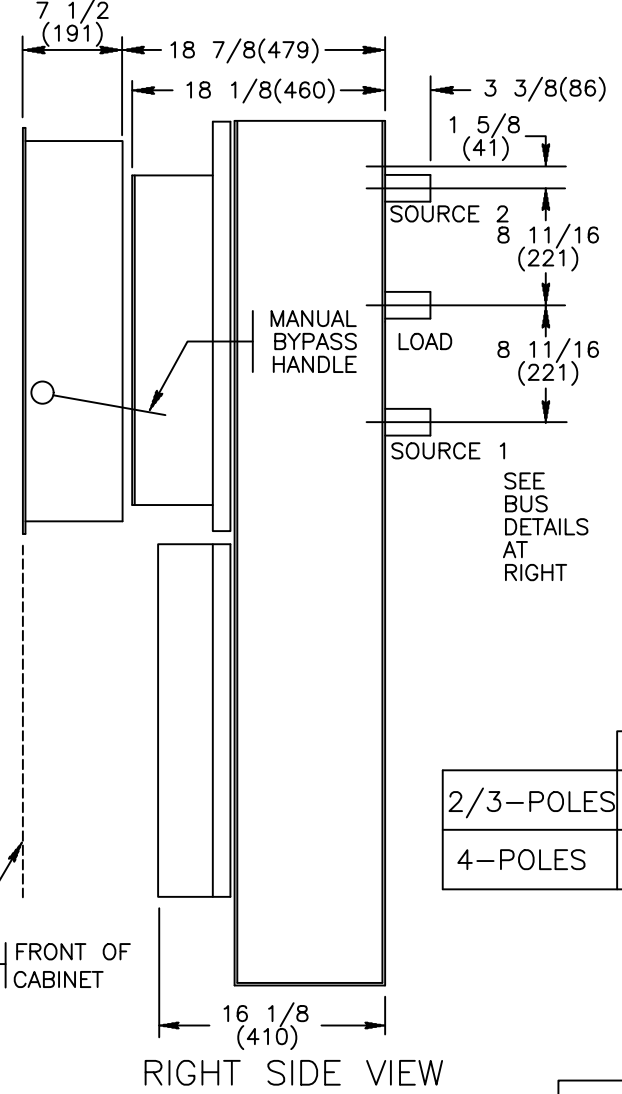
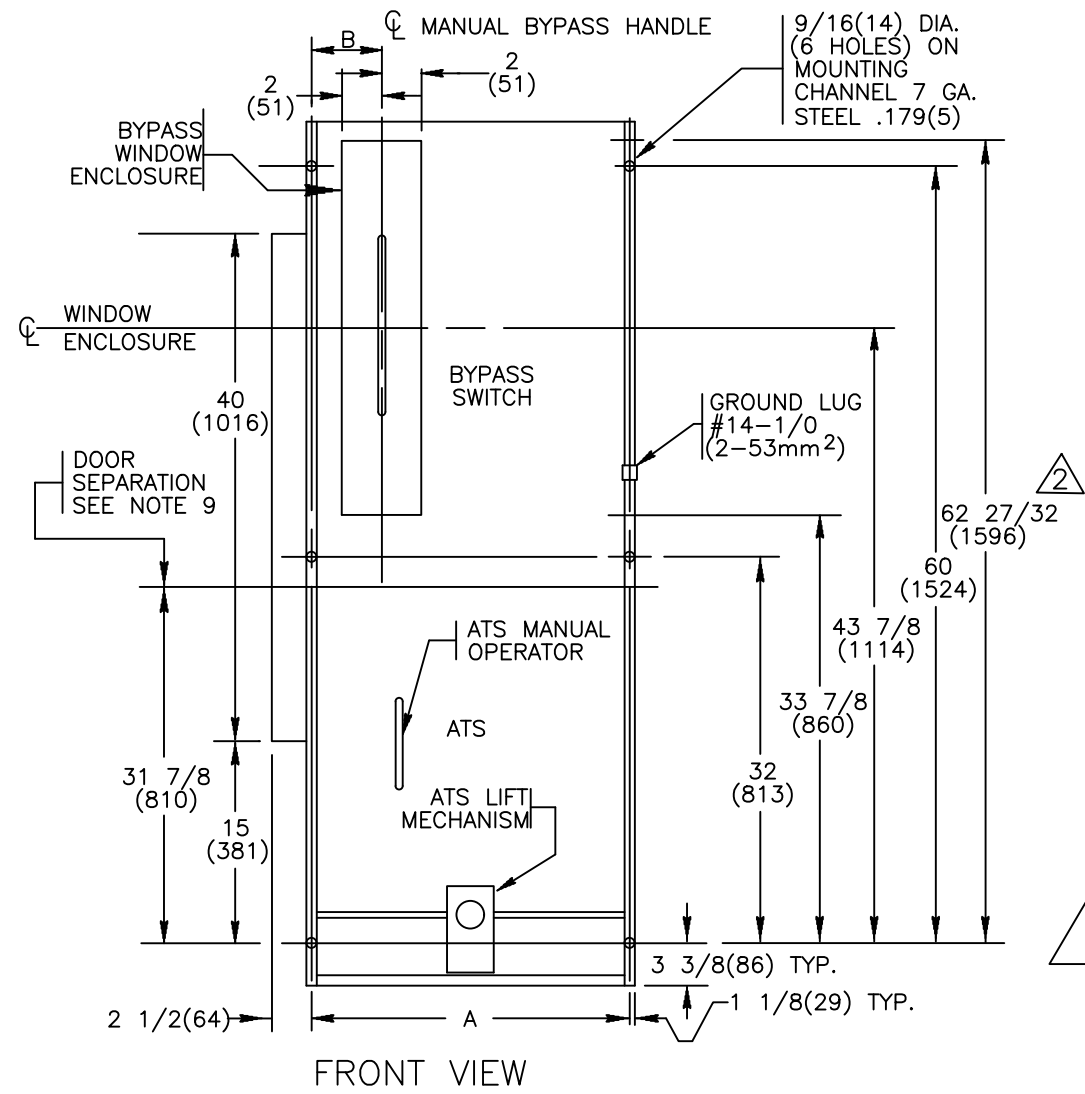


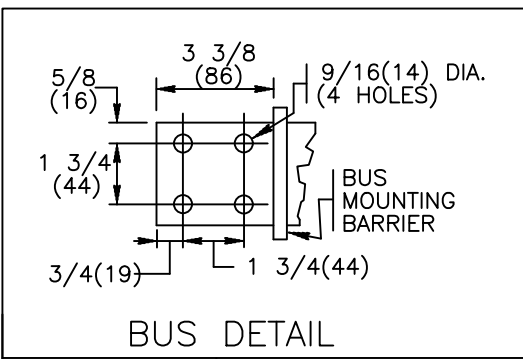
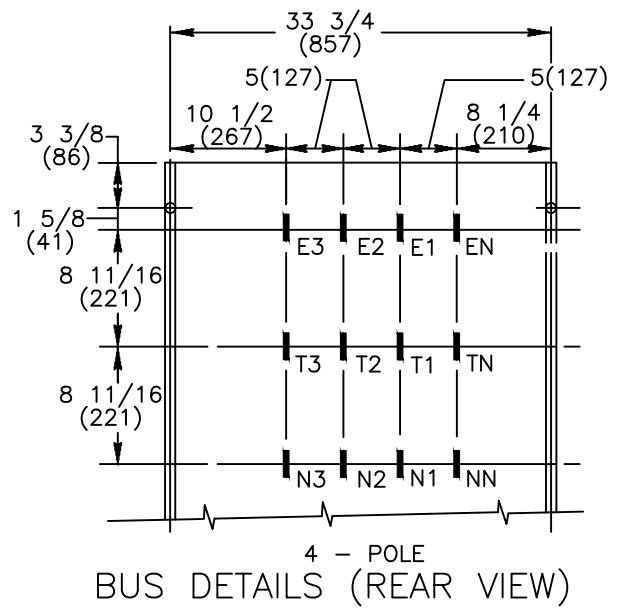
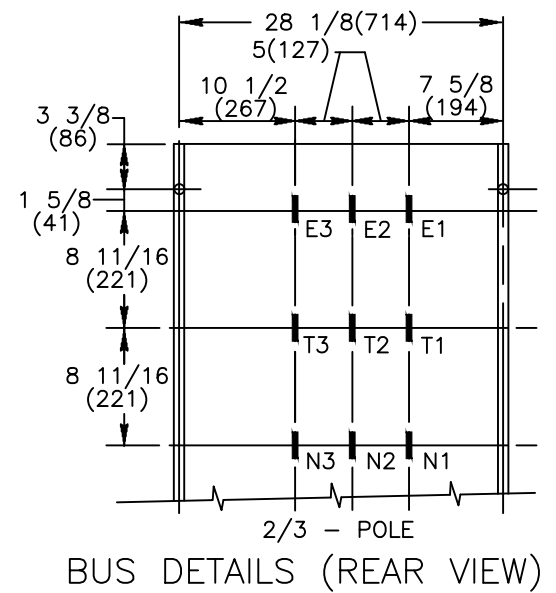
ABB PROPRIETARY AND CONFIDENTIAL INFORMATION
 The information contained in the document has to be kept strictly confidential. Any unauthorized use, reproduction, distribution or disclosure to third parties is strictly forbidden. ABB reserves all rights regarding intellectual Property Rights. Copyright 2018 ABB. All rights reserved

SIGNATURES		DATE	TITLE	
MODEL	JP	2/21/97	<p>ABB</p> <p>BYPASS SWITCH FRONT LUGS</p> <p>FIRST MADE FOR: ZBTS 800-1200 AMP 2,3 & 4 POLES</p>	
DETAIL				
CHECKED				
ENGRG	SB	2/21/97		
MFG				
QUALITY			SIZE	B
ISSUED			CAGE CODE	
DRAWING FILE:	50c-2022.dwg		DWG NO	50C-2022
MODEL / ASSEMBLY FILE:	ZBTS 800-1200 AMP 2,3 & 4 POLES			
# CTQs	⊖	CRITICAL TO QUALITY CHARACTERISTIC	SCALE:	N/A
			SHEET	1 OF 3





	A	B
2/3-POLES	28 1/8 (714)	3 3/8 (86)
4-POLES	33 3/4 (857)	10 3/4 (273)



800 AMP	3/8(10) X 3(76) BAR
1000,1200 AMP	1/2(13) X 3(76) BAR

NOTES:
1. REFER SHEET 1 FOR NOTE DETAILS.

SIGNATURES	DATE
MODEL JP	2/12/97
CHECKED	
ENGRG SB	2/12/97
MFG	
QUALITY	
ISSUED	

		TITLE	
		BYPASS SWITCH REAR BUS	
FIRST MADE FOR: ZBTS 800-1200 AMP 2,3 & 4 POLES		SIZE	DWG NO
		B	50C-2022
SCALE: NA	SHEET 2 OF 3		

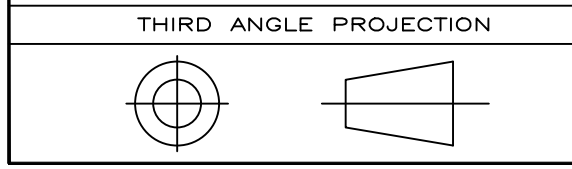


ABB PROPRIETARY AND CONFIDENTIAL INFORMATION
The information contained in the document has to be kept strictly confidential. Any unauthorized use, reproduction, distribution or disclosure to third parties is strictly forbidden. ABB reserves all rights regarding intellectual Property Rights. Copyright 2018 ABB. All rights reserved

AutoCad Generated

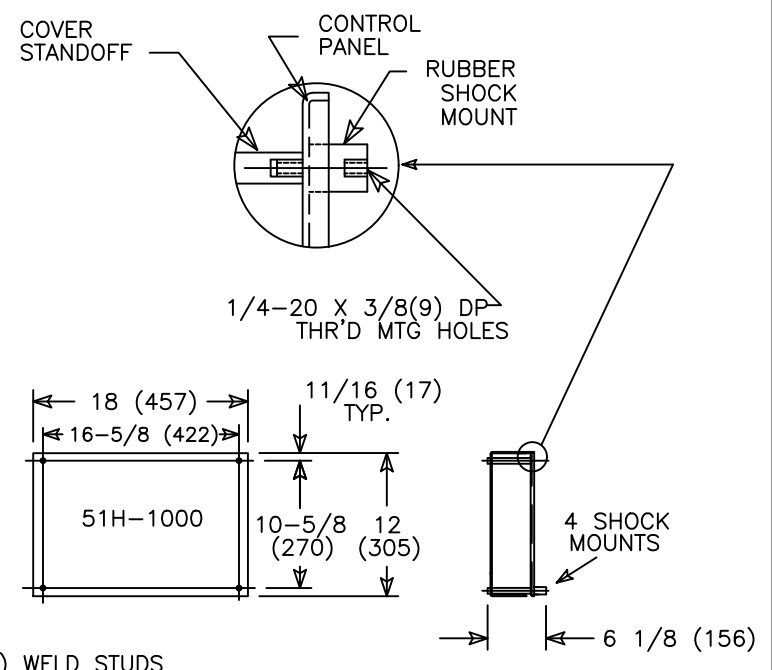
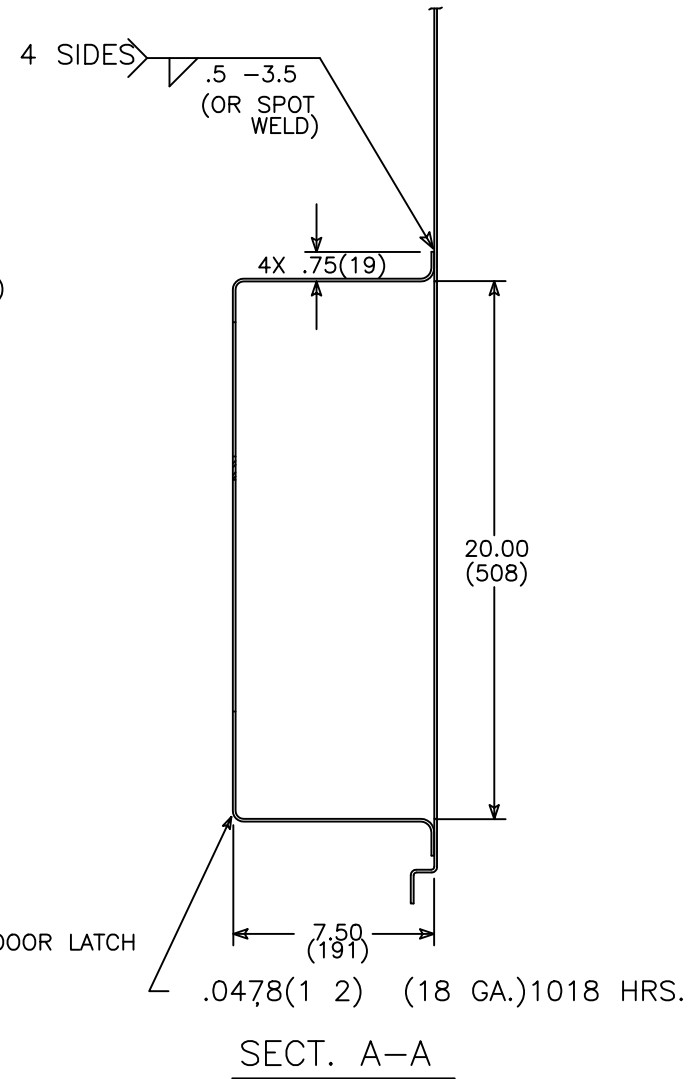
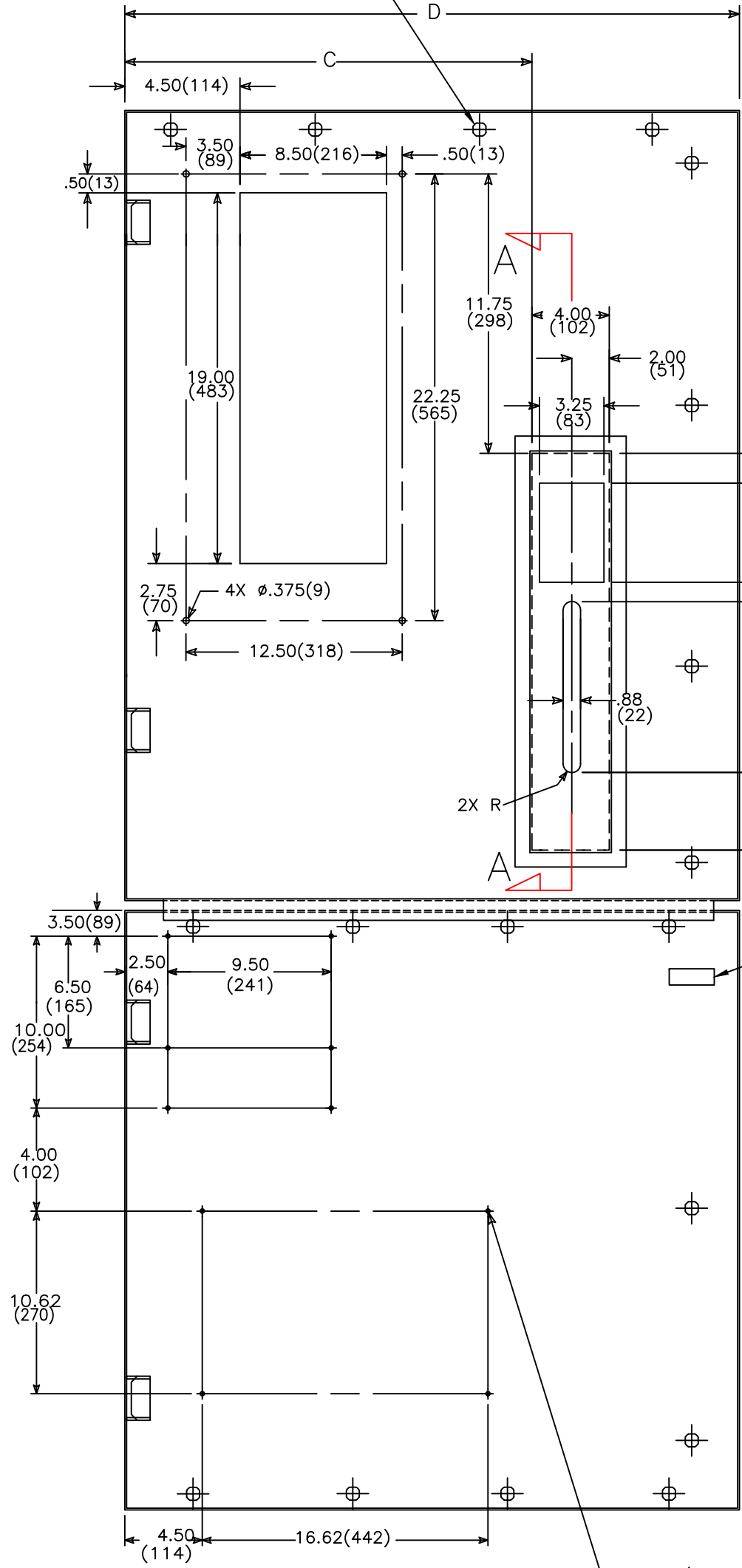
CTQs CRITICAL TO QUALITY CHARACTERISTIC

DRAWING FILE: 50c-2022.dwg
MODEL / ASSEMBLY FILE: ZBTS 800-1200 AMP 2,3 & 4 POLES



QUARTER TURN LATCH
QTY : 18

NO. POLES	C	D
2/3 POLES	29.50(749)	39.75(1010)
4 POLES	28.19(716)	45.75(1162)



DOOR DETAIL (INSIDE VIEW)

CONTROL PANEL

ALL DIMENSIONS ARE FOR REFERENCE ONLY
AND SHOWN IN INCHES(MILLIMETERS).

ABB PROPRIETARY AND CONFIDENTIAL INFORMATION The information contained in the document has to be kept strictly confidential. Any unauthorized use, reproduction, distribution or disclosure to third parties is strictly forbidden. ABB reserves all rights regarding intellectual Property Rights. Copyright 2018 ABB. All rights reserved	SIGNATURES MODEL JP DATE 2/21/97		
	CHECKED ENGRG SB DATE 2/21/97		
THIRD ANGLE PROJECTION	DRAWING FILE: 50c-2022.dwg MODEL / ASSEMBLY FILE: ZBIS 800-1200 AMP 2,3 & 4 POLES		TITLE BYPASS SWITCH DOOR MODIFICATIONS
	# CTQs AutoCad Generated	CRITICAL TO QUALITY CHARACTERISTIC	FIRST MADE FOR: ZBIS 800-1200 AMP 2,3 & 4 POLES SIZE B CAGE CODE DWG NO 50C-2022 SCALE: NA SHEET 3 OF 3

