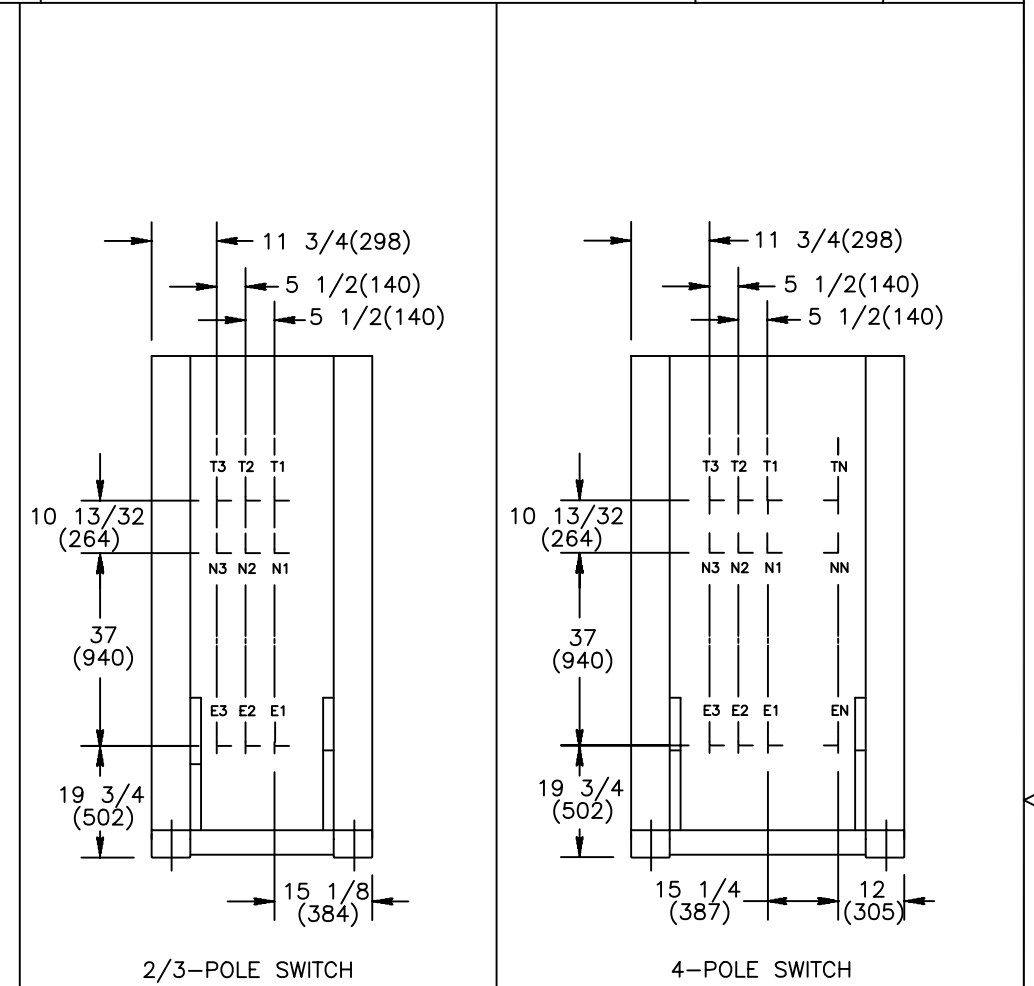


	A	B	C
2/3-POLES	40 (1016)	33 (838)	26 (660)
4-POLES	50 (1270)	42 3/4 (1086)	35 3/4 (908)

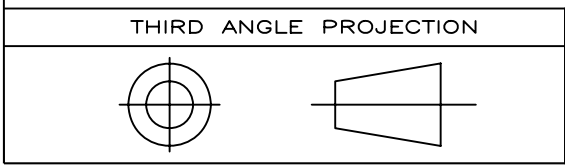
LUG SIZE	
1600-2000 A (QTY 8)	#2- 600 MCM (33-304mm ²)

REVISIONS			
REV.	DESCRIPTION	DATE	APPROVED
C	S-8039 REVISED DWG	3/30/04	GG BL



- NOTES:**
1. THE LOCATION OF THE WINDOW ENCLOSURE WITH RELATION TO THE DIMENSIONS OF THE OPEN STYLE BYPASS SWITCH ARE CRITICAL TO THE ALIGNMENT OF THE MANUAL BYPASS HANDLE.
 2. SEE SHEET 3 FOR RECOMMENDED DOOR MODIFICATIONS AND CONTROL PANEL DIMENSIONS.
 3. FOR 2-POLE SWITCHES, OMIT CENTER POLE.
 4. OPEN TYPE BYPASS SWITCH IS SUPPLIED WITH 6 FT. (1.8m) LONG HARNESS BETWEEN ATS POWER AND CONTROL PANELS. HARNESS EXITS FROM TOP RIGHT OF SWITCH FRAME.
 5. RUN ALL CABLES IN REAR OF ENCLOSURE. NO CABLE ENTRY IN FRONT OF ENCLOSURE.
 6. ATS DRAWS OUT TOWARD FRONT OF ENCLOSURE.
 7. MAINTAIN ELECTRICAL CLEARANCE OF 1(25mm) MINIMUM BETWEEN LIVE METAL PARTS AND GROUNDED METAL.

8. CUSTOMERS CUBICLE MUST INCLUDE A TWO DOOR FRONT. THE TOP DOOR (WHICH ALLOWS ACCESS TO THE BYPASS UNIT) CANNOT BE OPENED UNTIL BOTTOM DOOR IS OPENED.
9. LUGS MAY BE ORIENTED TO ACCEPT CABLING FROM TOP AS WELL AS BOTTOM ENTRY.
10. ALL DIMENSIONS ARE FOR REFERENCE ONLY AND SHOWN IN INCHES(MILLIMETERS).

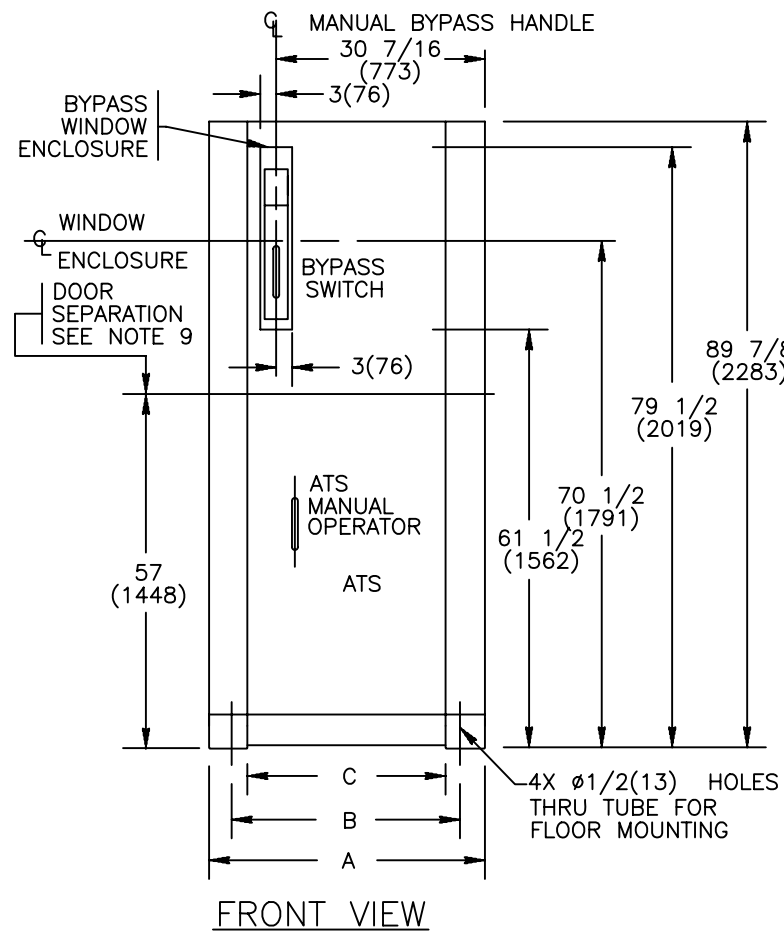


GE PROPRIETARY AND CONFIDENTIAL INFORMATION

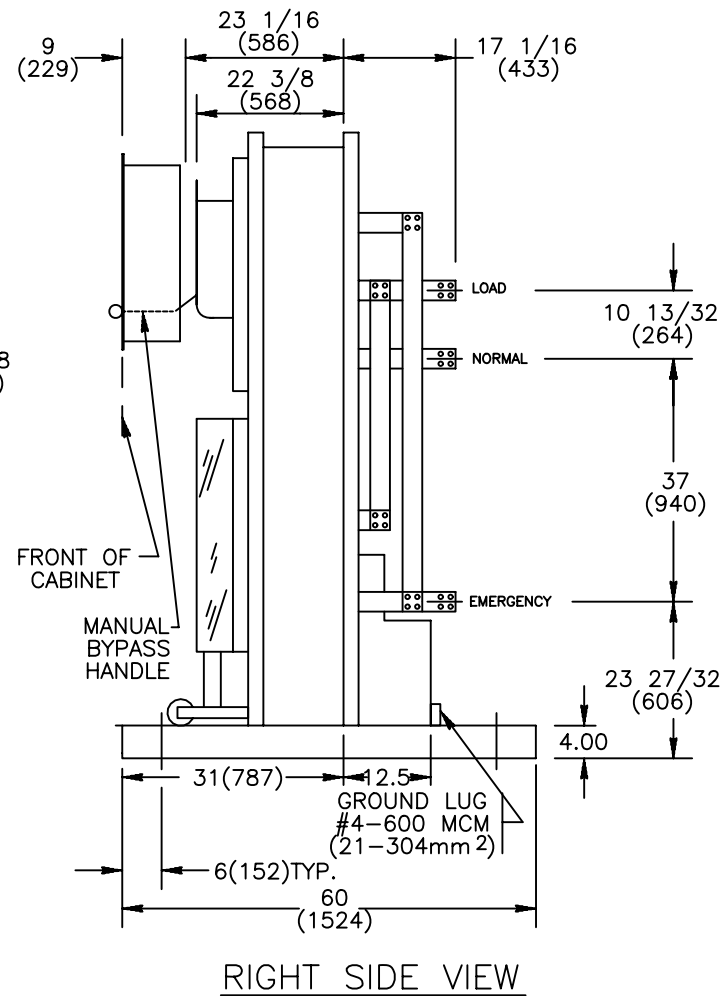
This document is the property of General Electric Company ("GE") and contains proprietary information of GE. This document is loaned on the express condition that neither it nor the information contained therein shall be disclosed to others without the express written consent of GE Industrial Systems, and that the information shall be used by the recipient only as approved expressly by GE Industrial Systems. This document shall be returned to GE upon its request. This document may be subject to certain restrictions under U.S. export control laws and regulations.

SIGNATURES		DATE	GE Zenith Controls
MODEL JP		2/12/97	
DETAIL			TITLE
CHECKED			BYPASS SWITCH REAR LUGS
ENGRG SB		2/12/97	
MFG			FIRST MADE FOR: ZBTS 1600-2000 AMP 2,3 & 4 POLES
QUALITY			SIZE CAGE CODE DWG NO
ISSUED			B
DRAWING FILE: 50c-2023-c-1.dwg			50C-2023
MODEL / ASSEMBLY FILE: ZBTS 1600-2000 AMP 2,3 & 4 POLES			SCALE: N/A
# CTQs		⊖ CRITICAL TO QUALITY CHARACTERISTIC	SHEET 1 OF 3

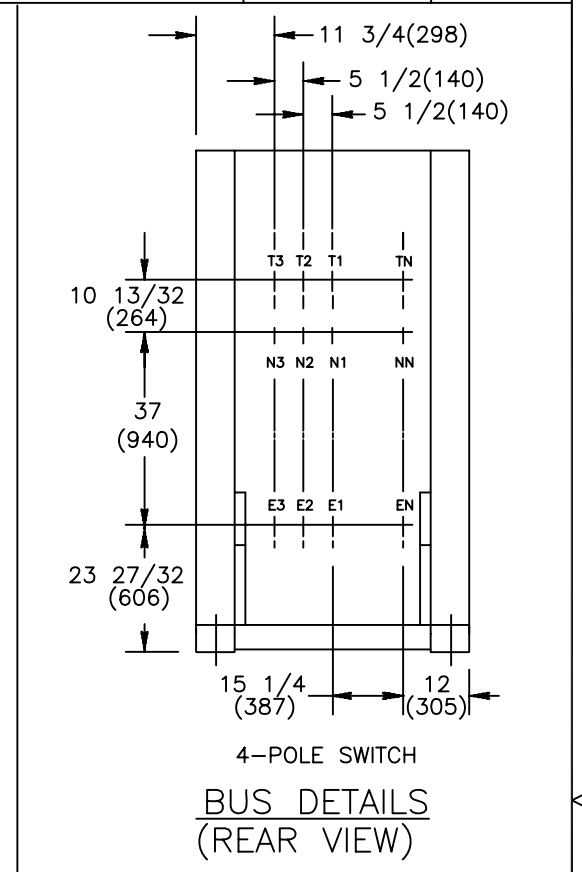
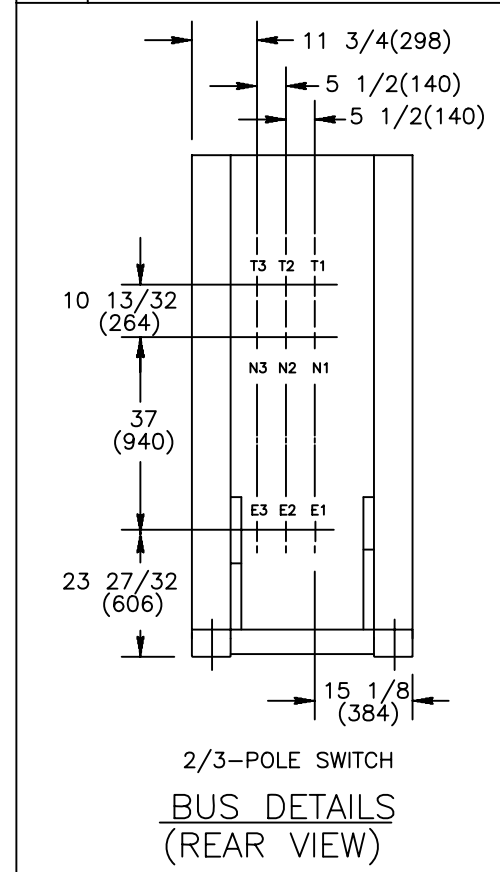
AutoCad Generated



	A	B	C
2/3-POLES	40 (1016)	33 (838)	26 (660)
4-POLES	50 (1270)	42 3/4 (1086)	35 3/4 (908)

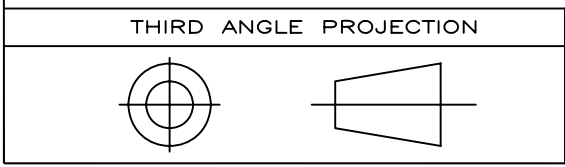
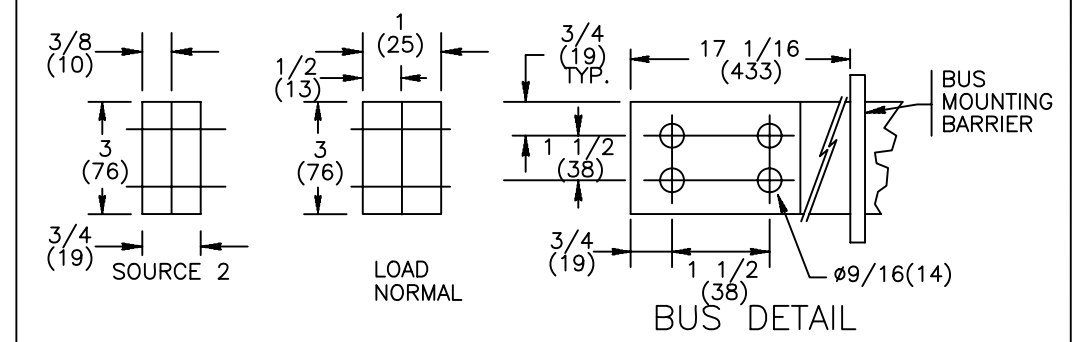


REVISIONS			
REV.	DESCRIPTION	DATE	APPROVED
B	S-8039 REVISED DWG	3/30/04	GG BL



- NOTES:
1. THE LOCATION OF THE WINDOW ENCLOSURE WITH RELATION TO THE DIMENSIONS OF THE OPEN STYLE BYPASS SWITCH ARE CRITICAL TO THE ALIGNMENT OF THE MANUAL BYPASS HANDLE.
 2. SEE SHEET 3 FOR RECOMMENDED DOOR MODIFICATIONS AND CONTROL PANEL DIMENSIONS.
 3. FOR 2-POLE SWITCHES, OMIT CENTER POLE.
 4. OPEN TYPE BYPASS SWITCH IS SUPPLIED WITH 6 FT. (1.8m) LONG HARNESS BETWEEN ATS POWER AND CONTROL PANELS. HARNESS EXITS FROM TOP RIGHT OF SWITCH FRAME.
 5. RUN ALL CABLES IN REAR OF ENCLOSURE. NO CABLE ENTRY IN FRONT OF ENCLOSURE.
 6. ATS DRAWS OUT TOWARD FRONT OF ENCLOSURE.
 7. MAINTAIN ELECTRICAL CLEARANCE OF 1" (25mm) MINIMUM BETWEEN LIVE METAL PARTS AND GROUNDED METAL.

8. CUSTOMERS CUBICLE MUST INCLUDE A TWO DOOR FRONT. THE TOP DOOR (WHICH ALLOWS ACCESS TO THE BYPASS UNIT) CANNOT BE OPENED UNTIL BOTTOM DOOR IS OPENED.
9. ALL DIMENSIONS ARE FOR REFERENCE ONLY AND SHOWN IN INCHES(MILLIMETERS).



GE PROPRIETARY AND CONFIDENTIAL INFORMATION

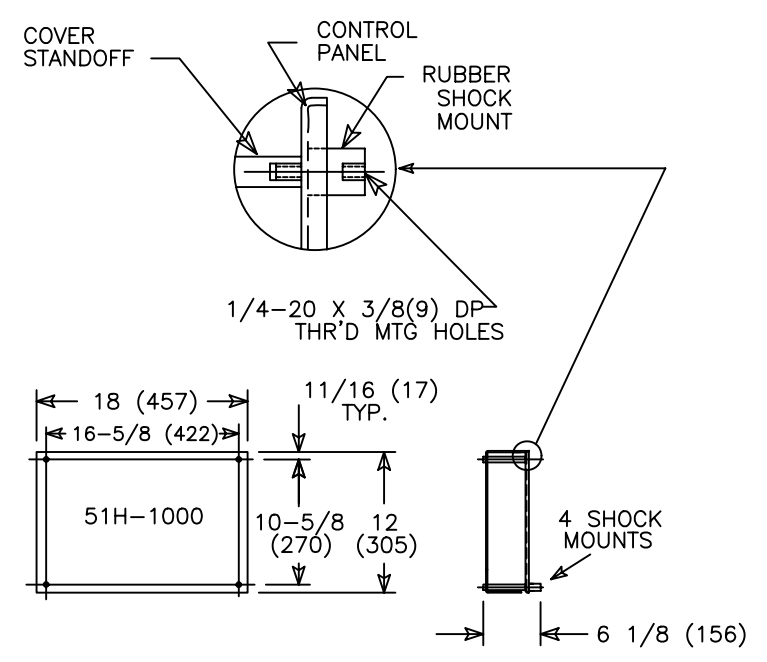
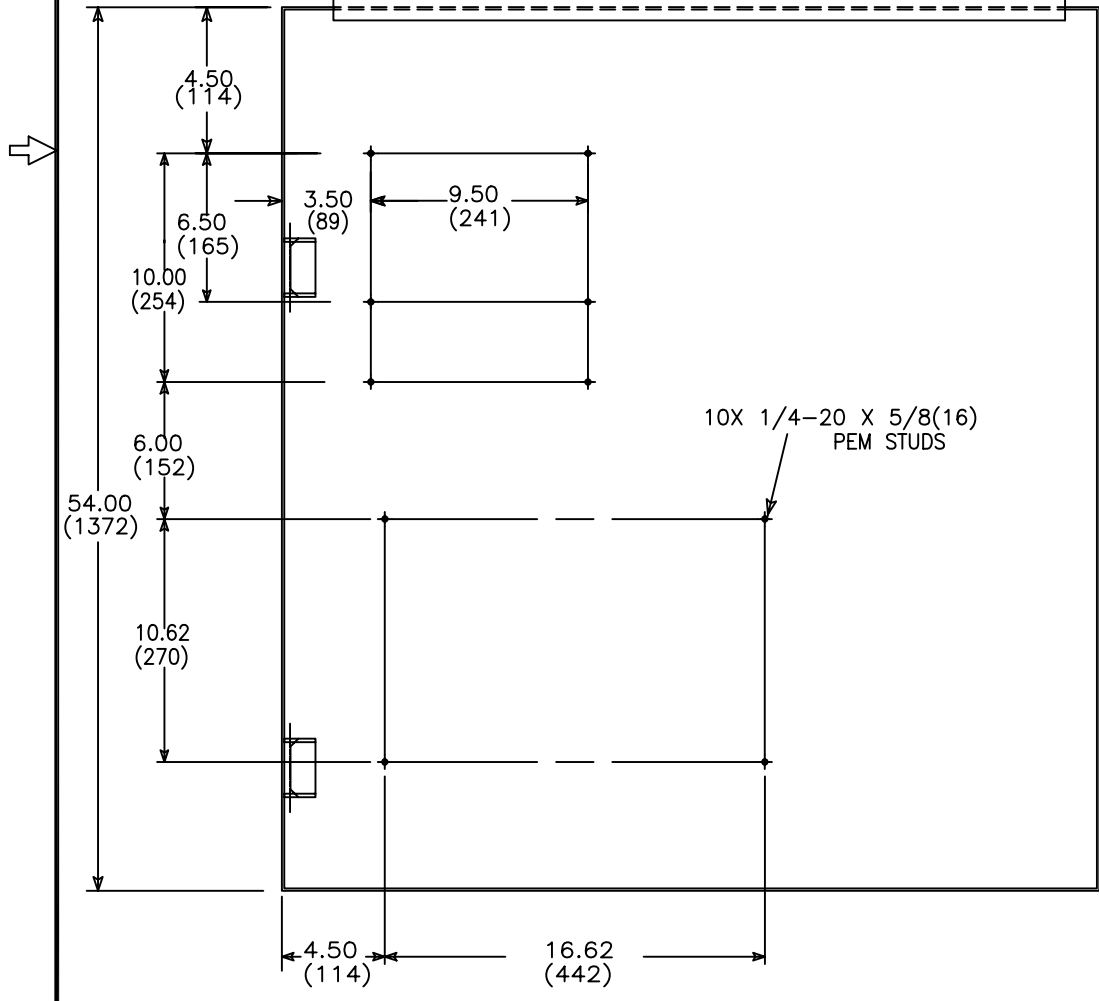
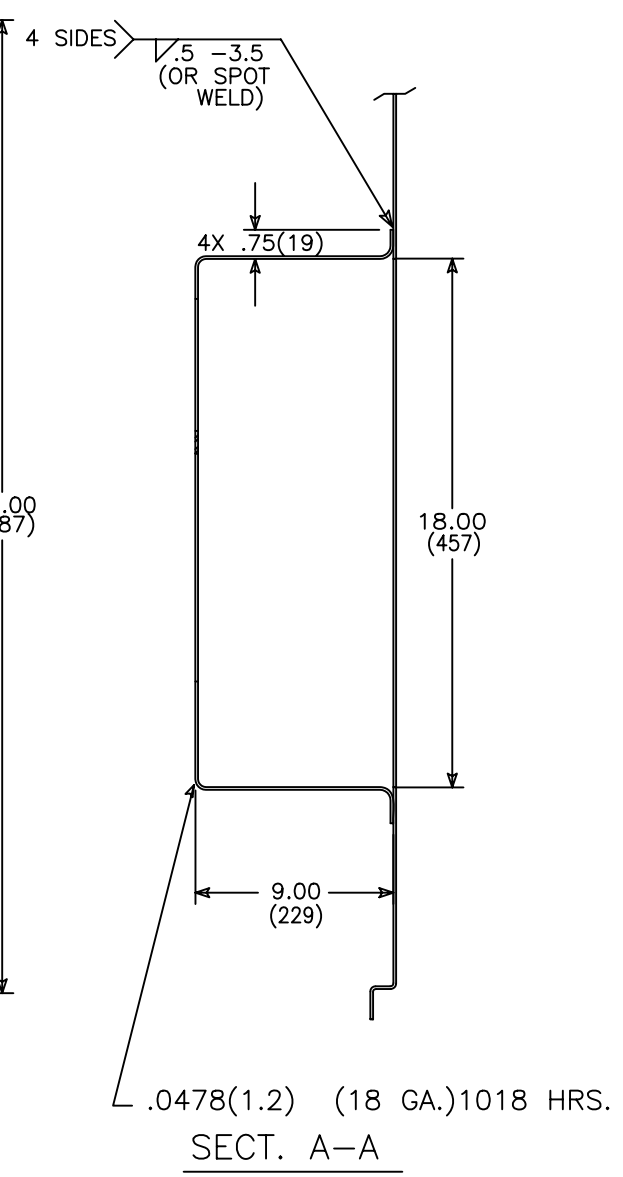
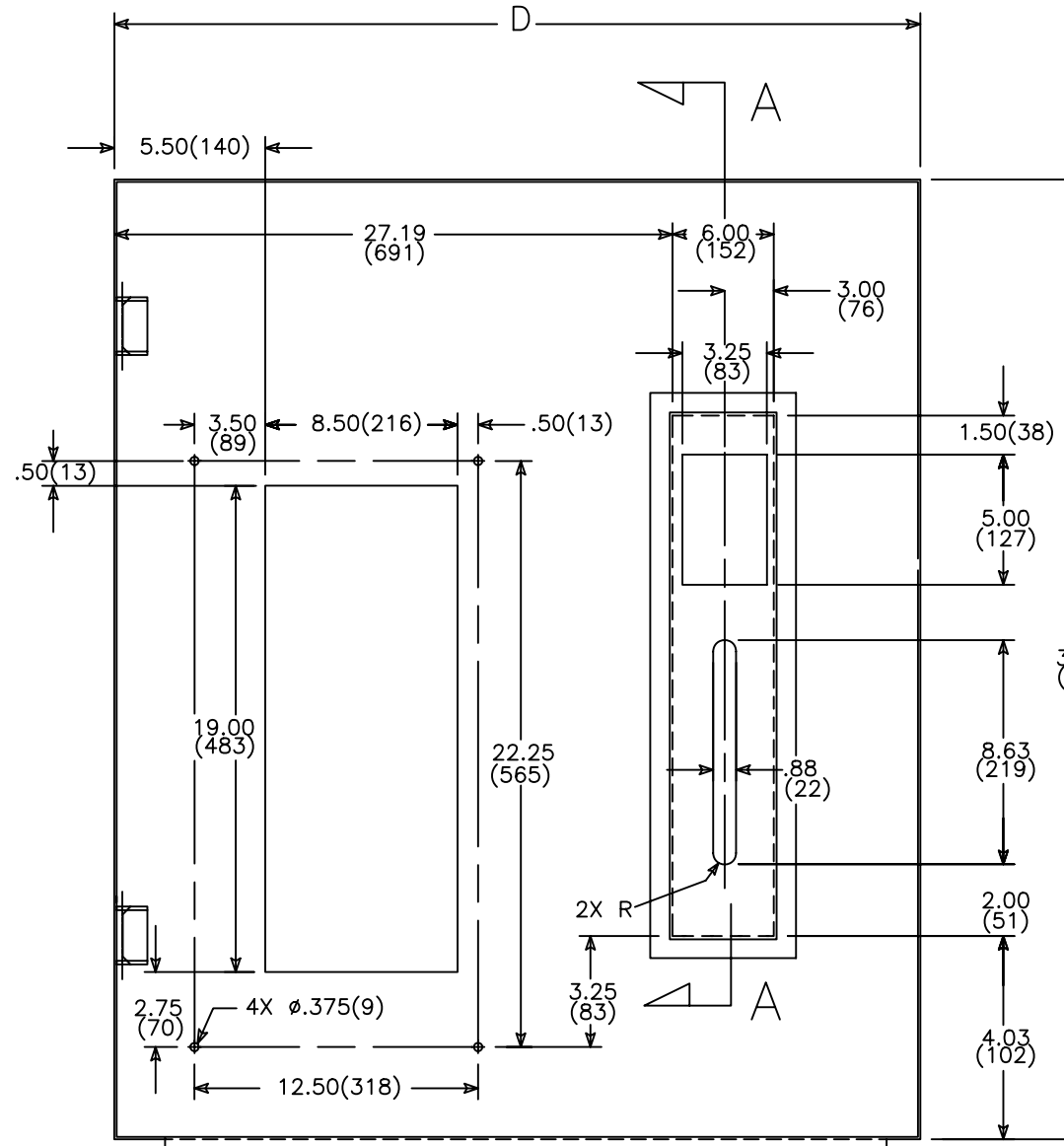
This document is the property of General Electric Company ("GE") and contains proprietary information of GE. This document is loaned on the express condition that neither it nor the information contained therein shall be disclosed to others without the express written consent of GE Industrial Systems, and that the information shall be used by the recipient only as approved expressly by GE Industrial Systems. This document shall be returned to GE upon its request. This document may be subject to certain restrictions under U.S. export control laws and regulations.

SIGNATURES		DATE	GE Zenith Controls
MODEL JP		2/12/97	
DETAIL			TITLE
CHECKED			BYPASS SWITCH REAR BUS
ENGRG SB		2/12/97	
MFG			FIRST MADE FOR: ZBTS 1600-2000 AMP 2,3 & 4 POLES
QUALITY			SIZE CAGE CODE DWG NO
ISSUED			B 50C-2023
DRAWING FILE: 50c-2023-b-2.dwg			SCALE: N/A
MODEL / ASSEMBLY FILE: ZBTS 1600-2000 AMP 2,3 & 4 POLES			SHEET 2 OF 3
# CTQs		⊖ CRITICAL TO QUALITY CHARACTERISTIC	



REVISIONS			
REV.	DESCRIPTION	DATE	APPROVED
C	S-8039	REVISED DWG	3/30/04 GG BL

NO. POLES	D
2/3 POLES	39.38(1000)
4 POLES	49.38(1254)

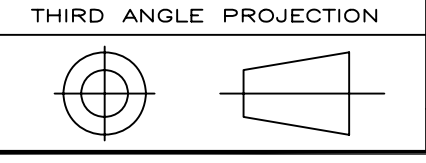


DOOR DETAIL (INSIDE VIEW)

CONTROL PANEL

ALL DIMENSIONS ARE FOR REFERENCE ONLY AND SHOWN IN INCHES(MILLIMETERS).

GE PROPRIETARY AND CONFIDENTIAL INFORMATION
 This document is the property of General Electric ("GE") and contains proprietary information of GE. This document is loaned on the express condition that neither it nor the information contained therein shall be disclosed to others without the express written consent of GE Industrial Systems, and that the information shall be used by the recipient only as approved expressly by GE Industrial Systems. This document shall be returned to GE upon its request. This document may be subject to certain restrictions under U.S. export controls laws and regulations.



SIGNATURES		DATE		GE Zenith Controls TITLE BYPASS SWITCH DOOR MODIFICATIONS FIRST MADE FOR: ZBTS 1600-2000 AMP 2,3 & 4 POLES		
MODEL	JP	2/21/97				
DETAIL						
CHECKED						
ENGRG	SB	2/21/97				
MFG				SIZE	CAGE CODE	DWG NO
QUALITY				B		50C-2023
ISSUED				SCALE:	NA	SHEET 3 OF 3
DRAWING FILE: 50c-2023-c-3.dwg						
MODEL / ASSEMBLY FILE: ZBTS 1600-2000 AMP 2,3 & 4 POLES						
# CTQs		CRITICAL TO QUALITY CHARACTERISTIC				

AutoCad Generated