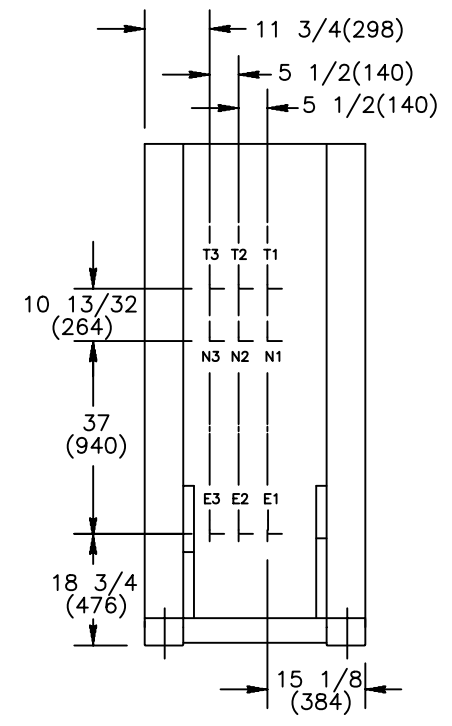


	A	B	C
2/3-POLES	40 (1016)	33 (838)	26 (660)
4-POLES	50 (1270)	42 3/4 (1086)	35 3/4 (908)

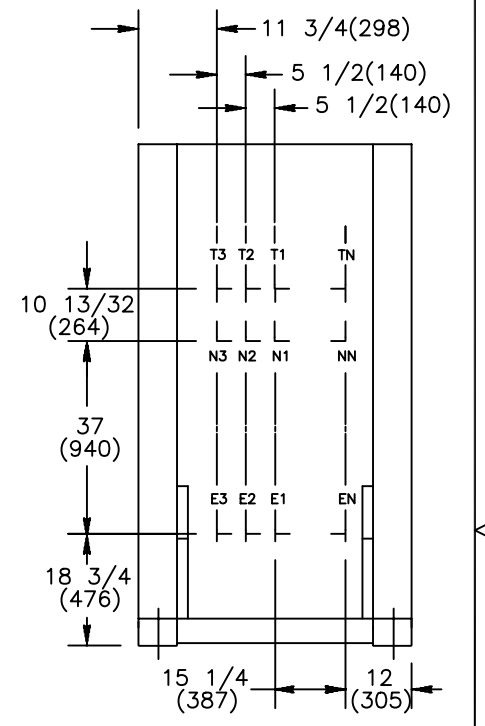
LUG SIZE	
3000 A	(QTY 8) #2- 600 MCM (33-304mm <sup>2</sup> )

REVISIONS			
REV.	DESCRIPTION	DATE	APPROVED
D	S-8039-2 REVISED DWG	9/28/04	GG BL



2/3-POLE SWITCH

LUG DETAILS  
(REAR VIEW)



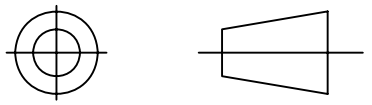
4-POLE SWITCH

LUG DETAILS  
(REAR VIEW)

- NOTES:
1. THE LOCATION OF THE WINDOW ENCLOSURE WITH RELATION TO THE DIMENSIONS OF THE OPEN STYLE BYPASS SWITCH ARE CRITICAL TO THE ALIGNMENT OF THE MANUAL BYPASS HANDLE.
  2. SEE SHEET 3 FOR RECOMMENDED DOOR MODIFICATIONS AND CONTROL PANEL DIMENSIONS.
  3. FOR 2-POLE SWITCHES, OMIT CENTER POLE.
  4. OPEN TYPE BYPASS SWITCH IS SUPPLIED WITH 6 FT. (1.8m) LONG HARNESS BETWEEN ATS POWER AND CONTROL PANELS. HARNESS EXITS FROM TOP RIGHT OF SWITCH FRAME.
  5. RUN ALL CABLES IN REAR OF ENCLOSURE. NO CABLE ENTRY IN FRONT OF ENCLOSURE.
  6. ATS DRAWS OUT TOWARD FRONT OF ENCLOSURE.
  7. MAINTAIN ELECTRICAL CLEARANCE OF 1" (25mm) MINIMUM BETWEEN LIVE METAL PARTS AND GROUNDED METAL.

8. CUSTOMERS CUBICLE MUST INCLUDE A TWO DOOR FRONT. THE TOP DOOR (WHICH ALLOWS ACCESS TO THE BYPASS UNIT) CANNOT BE OPENED UNTIL BOTTOM DOOR IS OPENED.
9. LUGS MAY BE ORIENTED TO ACCEPT CABLING FROM TOP AS WELL AS BOTTOM ENTRY.
10. ALL DIMENSIONS ARE FOR REFERENCE ONLY AND SHOWN IN INCHES(MILLIMETERS).

THIRD ANGLE PROJECTION



GE PROPRIETARY AND CONFIDENTIAL INFORMATION

This document is the property of General Electric Company ("GE") and contains proprietary information of GE. This document is loaned on the express condition that neither it nor the information contained therein shall be disclosed to others without the express written consent of GE Industrial Systems, and that the information shall be used by the recipient only as approved expressly by GE Industrial Systems. This document shall be returned to GE upon its request. This document may be subject to certain restrictions under U.S. export control laws and regulations.

AutoCad Generated

SIGNATURES		DATE
MODEL	JP	2/12/97
DETAIL		
CHECKED		
ENGRG	SB	2/12/97
MFG		
QUALITY		
ISSUED		
DRAWING FILE:	50c-2024-d-1.dwg	
MODEL / ASSEMBLY FILE:	ZBTS 3000 AMP 2,3, & 4 POLES	
# CTQs	⊖	CRITICAL TO QUALITY CHARACTERISTIC

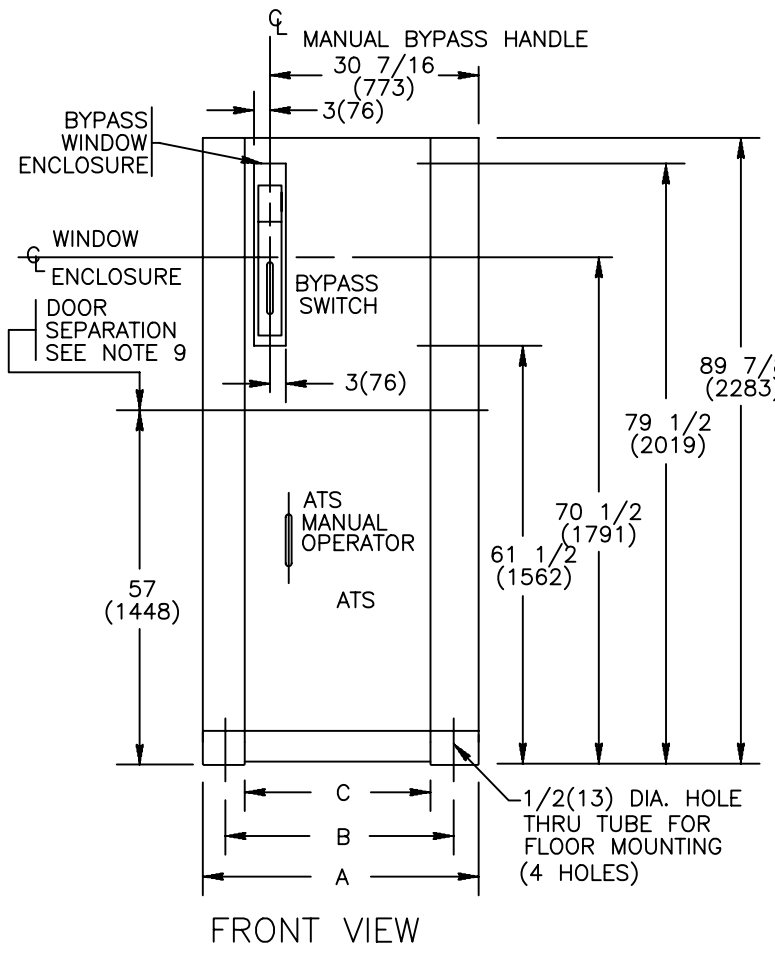
**GE Zenith Controls**

TITLE: **BYPASS SWITCH REAR LUGS**

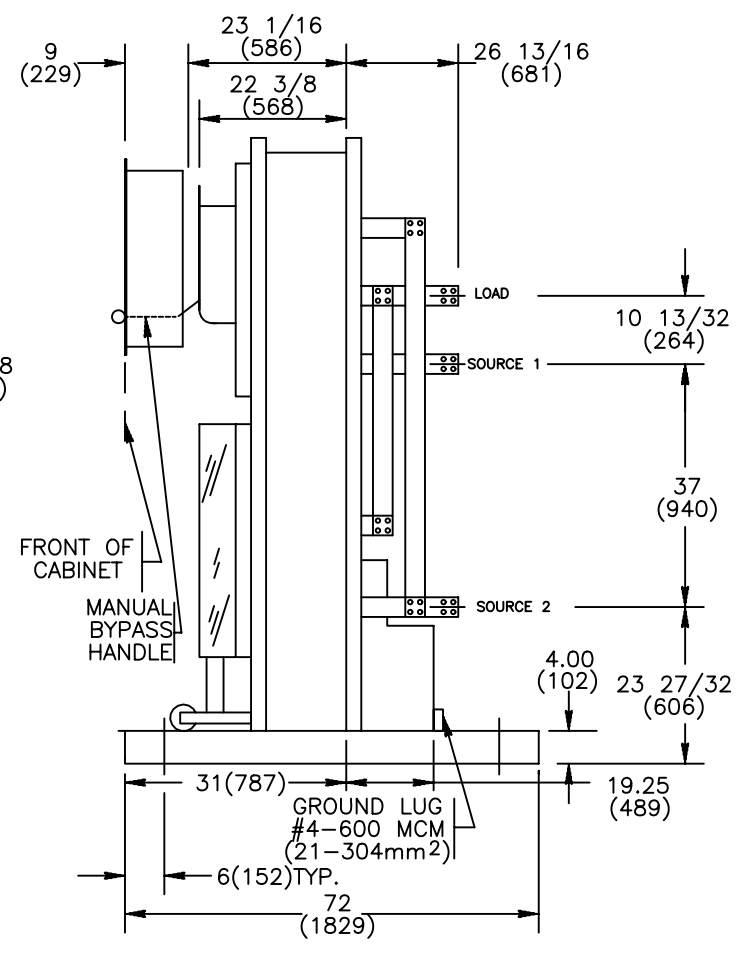
FIRST MADE FOR: ZBTS 3000 AMP 2,3, & 4 POLES

SIZE	CAGE CODE	DWG NO
B		50C-2024

SCALE: N/A SHEET 1 OF 3

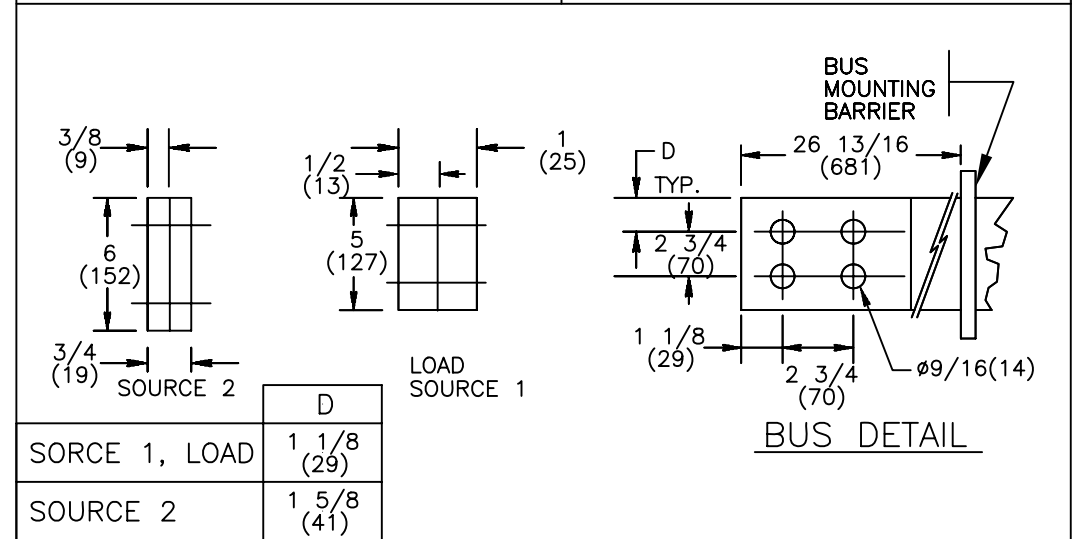
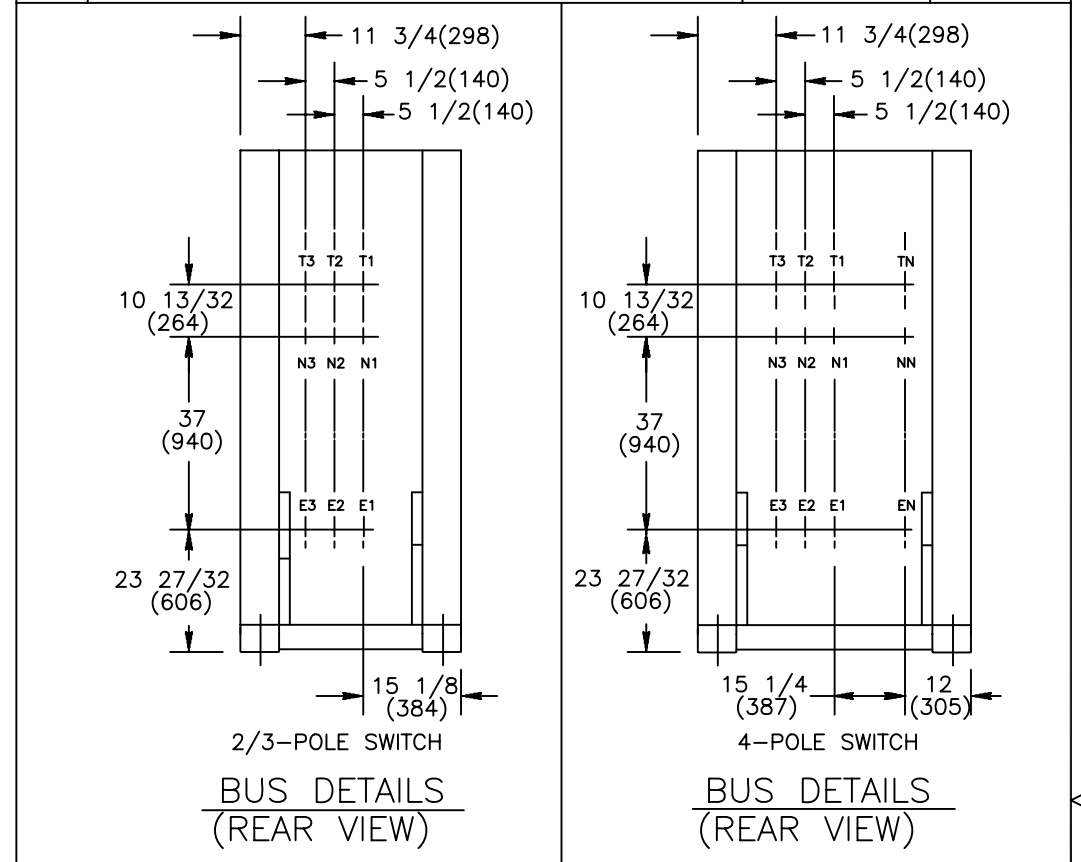


	A	B	C
2/3-POLES	40 (1016)	33 (838)	26 (660)
4-POLES	50 (1270)	42 3/4 (1086)	35 3/4 (908)



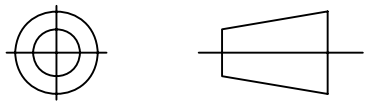
RIGHT SIDE VIEW

REVISIONS			
REV.	DESCRIPTION	DATE	APPROVED
D	S-8039-2 REVISED DWG	9/28/04	GG BL



- NOTES:
1. THE LOCATION OF THE WINDOW ENCLOSURE WITH RELATION TO THE DIMENSIONS OF THE OPEN STYLE BYPASS SWITCH ARE CRITICAL TO THE ALIGNMENT OF THE MANUAL BYPASS HANDLE.
  2. SEE SHEET 3 FOR RECOMMENDED DOOR MODIFICATIONS AND CONTROL PANEL DIMENSIONS.
  3. FOR 2-POLE SWITCHES, OMIT CENTER POLE.
  4. OPEN TYPE BYPASS SWITCH IS SUPPLIED WITH 6 FT. (1.8m) LONG HARNESS BETWEEN ATS POWER AND CONTROL PANELS. HARNESS EXITS FROM TOP RIGHT OF SWITCH FRAME.
  5. RUN ALL CABLES IN REAR OF ENCLOSURE. NO CABLE ENTRY IN FRONT OF ENCLOSURE.
  6. ATS DRAWS OUT TOWARD FRONT OF ENCLOSURE.
  7. MAINTAIN ELECTRICAL CLEARANCE OF 1" (25mm) MINIMUM BETWEEN LIVE METAL PARTS AND GROUNDED METAL.
  8. CUSTOMERS CUBICLE MUST INCLUDE A TWO DOOR FRONT. THE TOP DOOR (WHICH ALLOWS ACCESS TO THE BYPASS UNIT) CANNOT BE OPENED UNTIL BOTTOM DOOR IS OPENED.
  9. ALL DIMENSIONS ARE FOR REFERENCE ONLY AND SHOWN IN INCHES(MILLIMETERS).

THIRD ANGLE PROJECTION



GE PROPRIETARY AND CONFIDENTIAL INFORMATION

This document is the property of General Electric Company ("GE") and contains proprietary information of GE. This document is loaned on the express condition that neither it nor the information contained therein shall be disclosed to others without the express written consent of GE Industrial Systems, and that the information shall be used by the recipient only as approved expressly by GE Industrial Systems. This document shall be returned to GE upon its request. This document may be subject to certain restrictions under U.S. export control laws and regulations.

AutoCad Generated

SIGNATURES	DATE
MODEL JP	2/21/97
DETAIL	
CHECKED	
ENGRG JP	2/21/97
MFG	
QUALITY	
ISSUED	

**GE Zenith Controls**

TITLE: **BYPASS SWITCH REAR BUS**

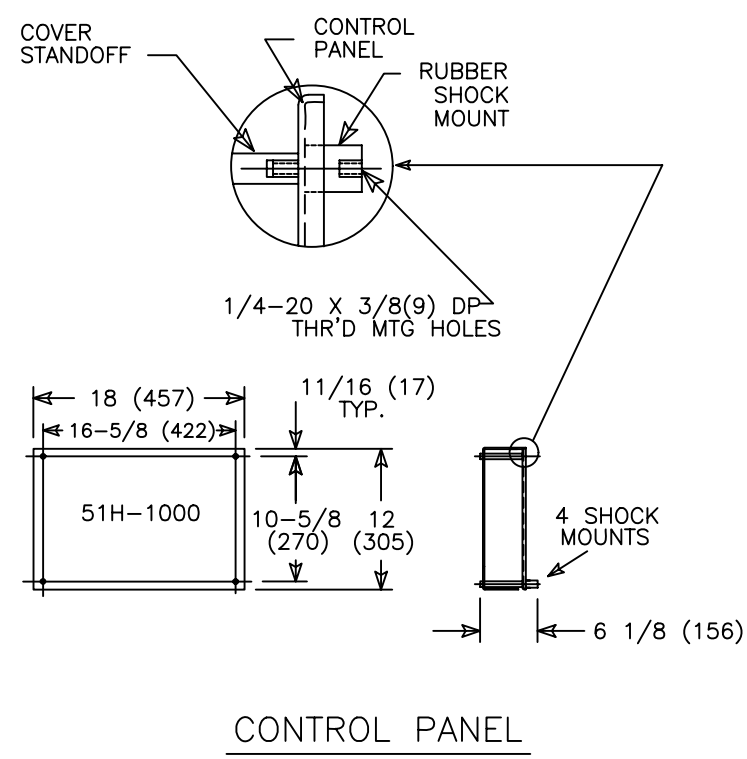
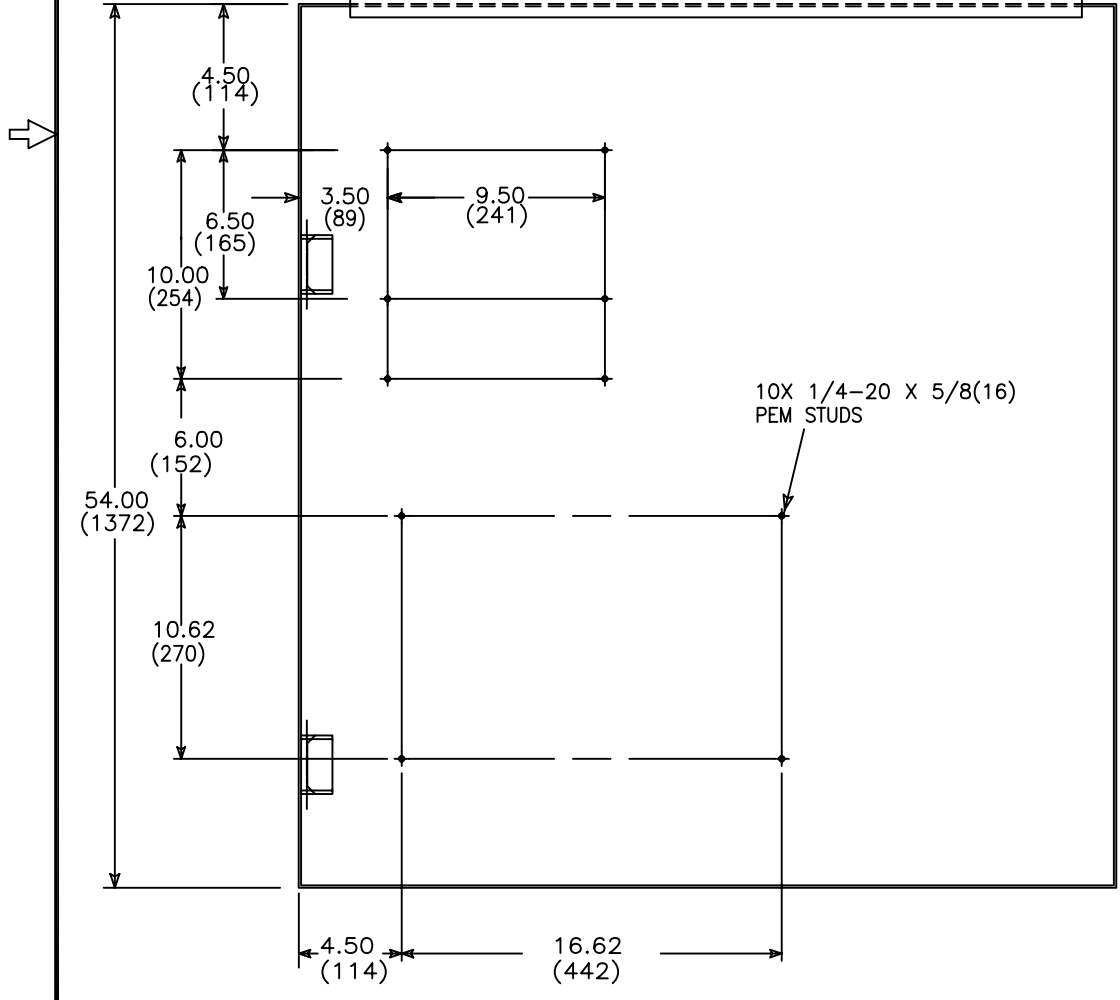
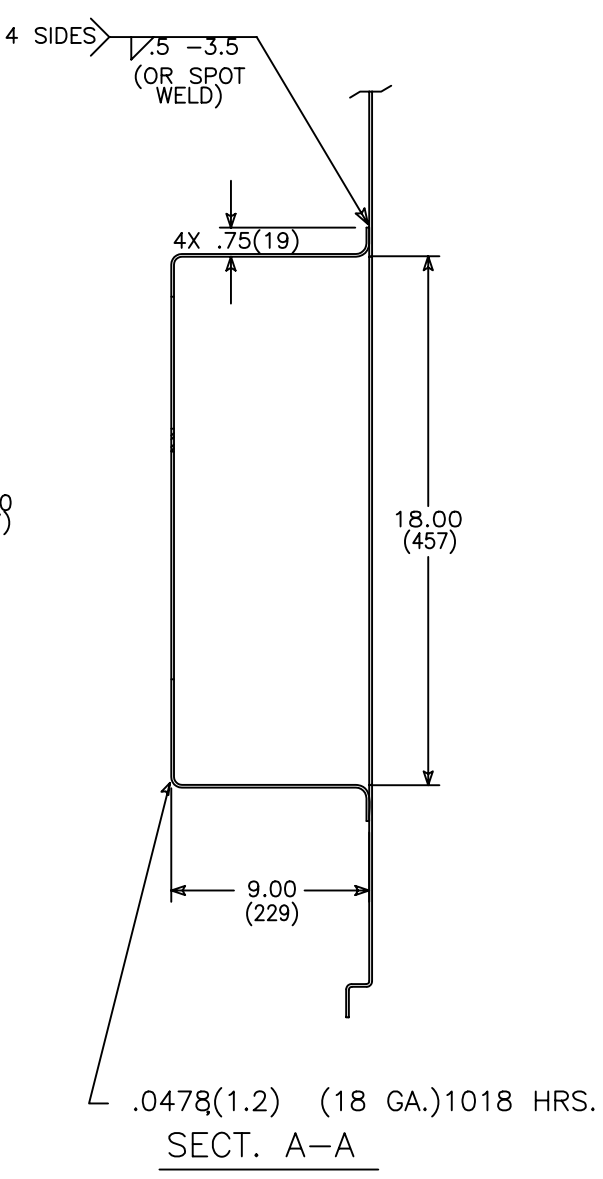
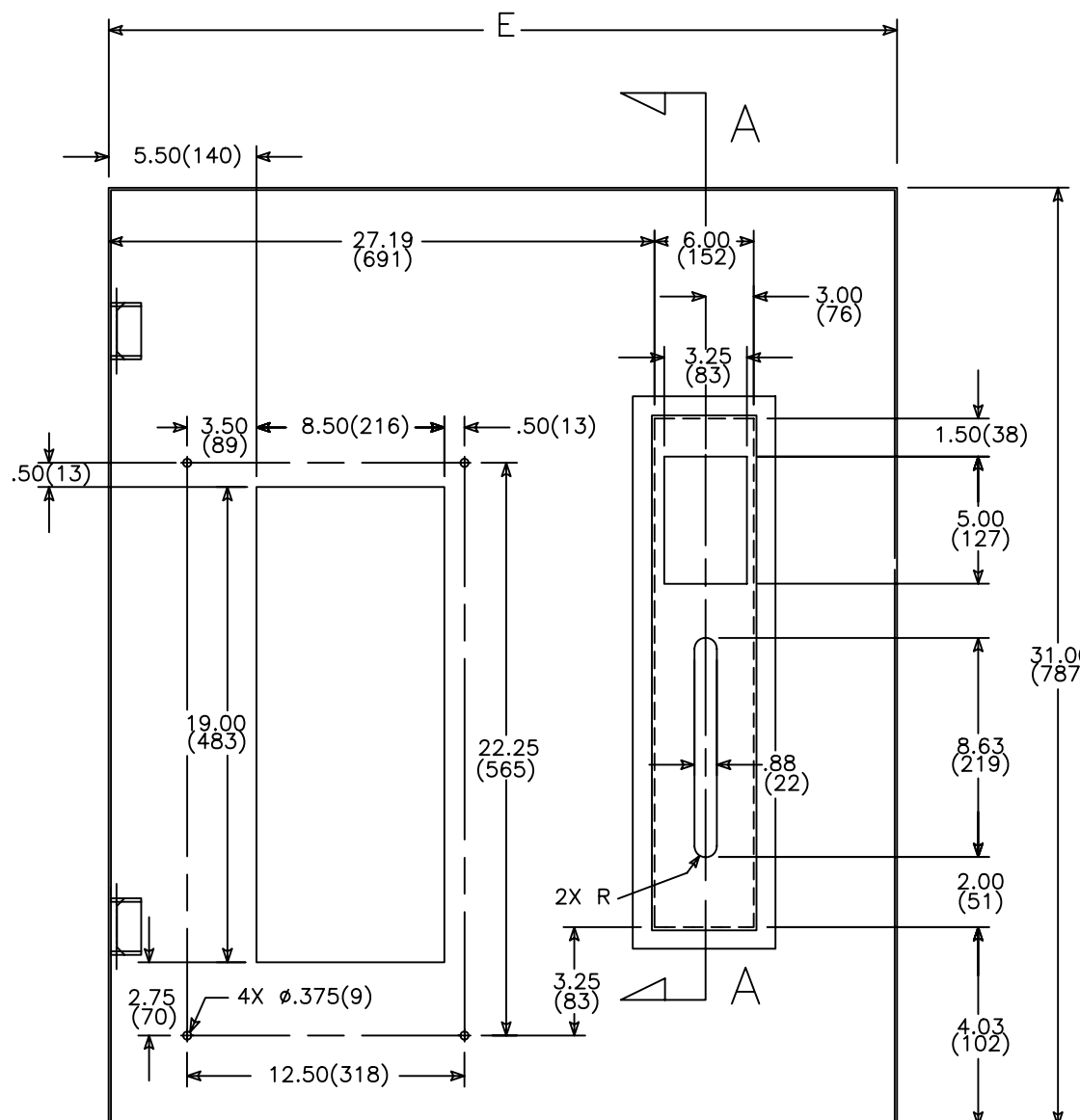
FIRST MADE FOR: ZBTS 3000 AMP 2,3,4 POLES

SIZE	CAGE CODE	DWG NO
B		50C-2024

SCALE: N/A SHEET 2 OF 3

REVISIONS			
REV.	DESCRIPTION	DATE	APPROVED
D	S-8039-2	REVISED DWG	09/28/04 GG BL

NO. POLES	E
2/3 POLES	39.38(1000)
4 POLES	49.38(1254)

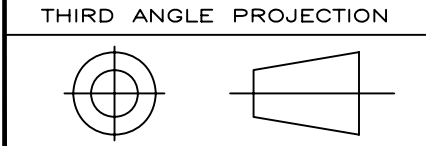


DOOR DETAIL (INSIDE VIEW)

CONTROL PANEL

ALL DIMENSIONS ARE FOR REFERENCE ONLY AND SHOWN IN INCHES(MILLIMETERS).

GE PROPRIETARY AND CONFIDENTIAL INFORMATION  
 This document is the property of General Electric ("GE") and contains proprietary information of GE. This document is loaned on the express condition that neither it nor the information contained therein shall be disclosed to others without the express written consent of GE Industrial Systems, and that the information shall be used by the recipient only as approved expressly by GE Industrial Systems. This document shall be returned to GE upon its request. This document may be subject to certain restrictions under U.S. export controls laws and regulations.



SIGNATURES		DATE
MODEL	JP	2/12/97
DETAIL		
CHECKED		
ENGRG	SB	2/12/97
MFG		
QUALITY		
ISSUED		
DRAWING FILE: 50c-2024-d-3.dwg		SIZE B
MODEL / ASSEMBLY FILE: ZBTS 3000 AMP 2,3,4 POLES		CAGE CODE
# CTQs	⊖ CRITICAL TO QUALITY CHARACTERISTIC	DWG NO

**GE Zenith Controls**

TITLE: **BYPASS SWITCH DOOR MODIFICATIONS**

FIRST MADE FOR: ZBTS 3000 AMP 2,3,4 POLES

50C-2024

SCALE: N/A

SHEET 3 OF 3

AutoCad Generated