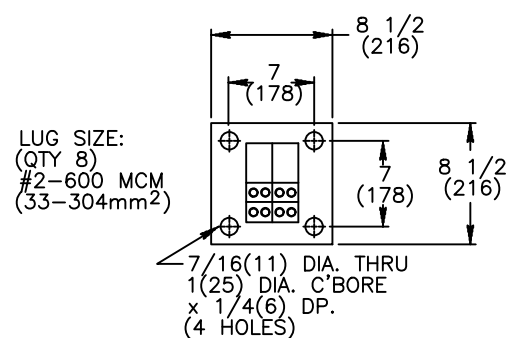
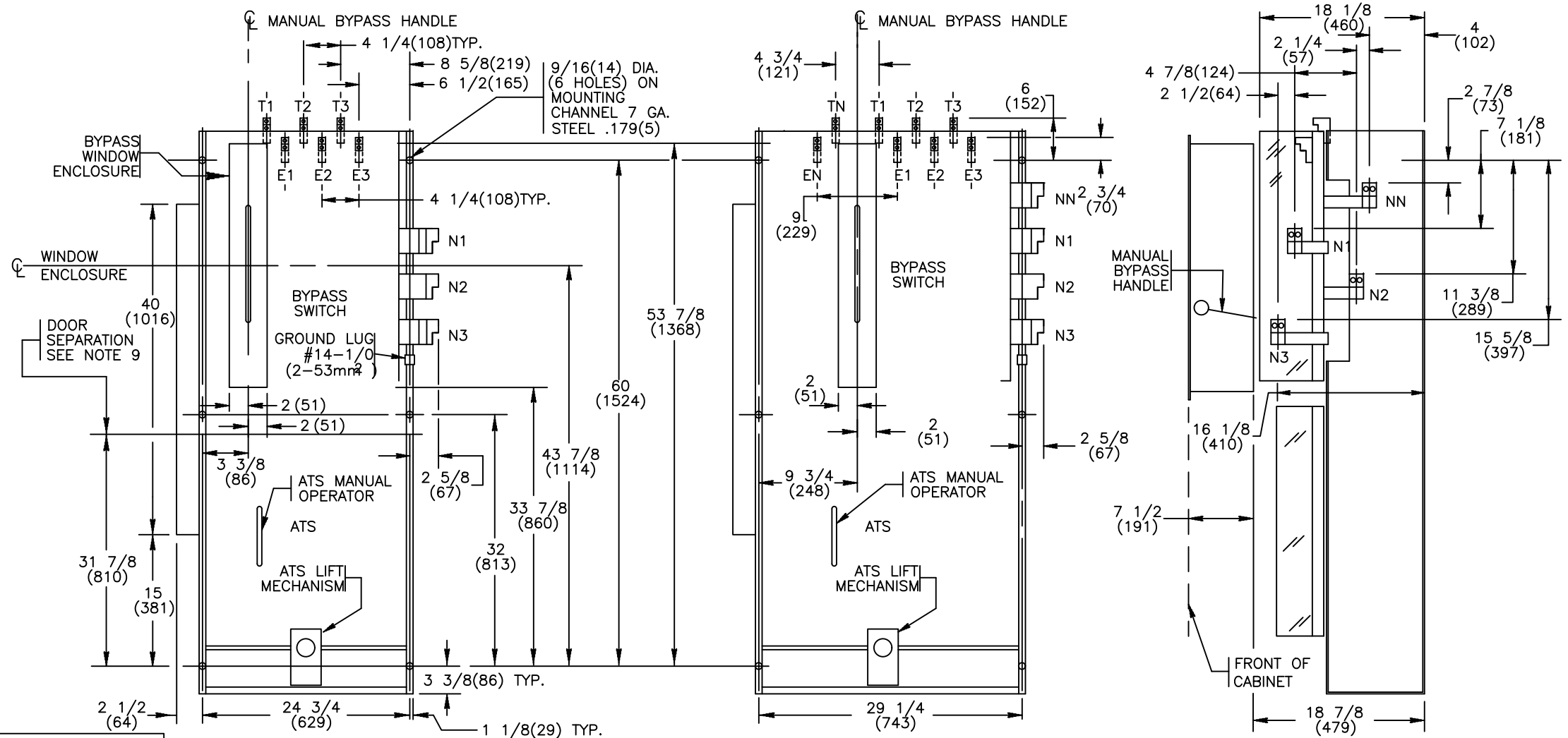


REVISIONS			
REV.	DESCRIPTION	DATE	APPROVED
1	C076901 UPDATED REBRANDING	09/20/19	AR MAS



NEUTRAL BAR ASSEMBLY



		LUG SIZE
100-400 A	(QTY 1)	#4- 600 MCM (21-304mm²)
600 A	(QTY 2)	#2- 600 MCM (33-304mm²)

NOTE: DRAWING SHOWN WITH 600AMP LUG CONFIGURATION FOR REFERENCE.

- NOTES:
1. THE LOCATION OF THE WINDOW ENCLOSURE WITH RELATION TO THE DIMENSIONS OF THE OPEN STYLE BYPASS SWITCH ARE CRITICAL TO THE ALIGNMENT OF THE MANUAL BYPASS HANDLE.
 2. SEE SHEET 3 FOR RECOMMENDED DOOR MODIFICATIONS AND CONTROL PANEL DIMENSIONS.
 3. FOR 2-POLE SWITCHES, OMIT CENTER POLE.
 4. OPEN TYPE BYPASS SWITCH IS SUPPLIED WITH 6 FT. (1.8m) LONG HARNESS BETWEEN ATS POWER AND CONTROL PANELS. HARNESS EXITS FROM CENTER RIGHT OF SWITCH FRAME.
 5. RUN ALL CABLES IN REAR OF ENCLOSURE. NO CABLE ENTRY IN FRONT OF ENCLOSURE.
 6. ATS DRAWS OUT TOWARD FRONT OF ENCLOSURE.
 7. MAINTAIN ELECTRICAL CLEARANCE OF 1(25mm) MINIMUM BETWEEN LIVE METAL PARTS AND GROUNDED METAL.
 8. CUSTOMERS CUBICLE MUST INCLUDE A TWO DOOR FRONT. THE TOP DOOR (WHICH ALLOWS ACCESS TO THE BYPASS UNIT) CANNOT BE OPENED UNTIL BOTTOM DOOR IS OPENED.
 9. DIMENSIONS FOR 3-POLE AND 4-POLE SWITCHES ARE IDENTICAL EXCEPT AS NOTED.
 10. ALL DIMENSIONS ARE FOR REFERENCE ONLY AND SHOWN IN INCHES(MILLIMETERS).

SIGNATURES	DATE
MODEL JP	2/12/97
DETAIL	
CHECKED	
ENGRG SB	2/12/97
MFG	
QUALITY	
ISSUED	
DRAWING FILE: 50c-2026.dwg	
MODEL / ASSEMBLY FILE: ZBTSCT 100-600 A, ZBTS 600 A ONLY, 2, 3, 4 P	
# CTQs	⊖ CRITICAL TO QUALITY CHARACTERISTIC

ABB

BYPASS SWITCH
FRONT LUGS

TITLE

FIRST MADE FOR: ZBTSCT 100-600 AMP, ZBTS 600 AMP ONLY, 2, 3 4 POLES

SIZE B	CAGE CODE	DWG NO 50C-2026
SCALE: N/A	SHEET 1 OF 3	

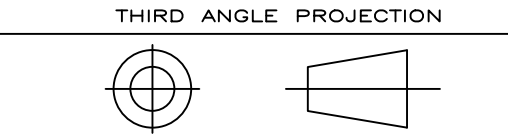
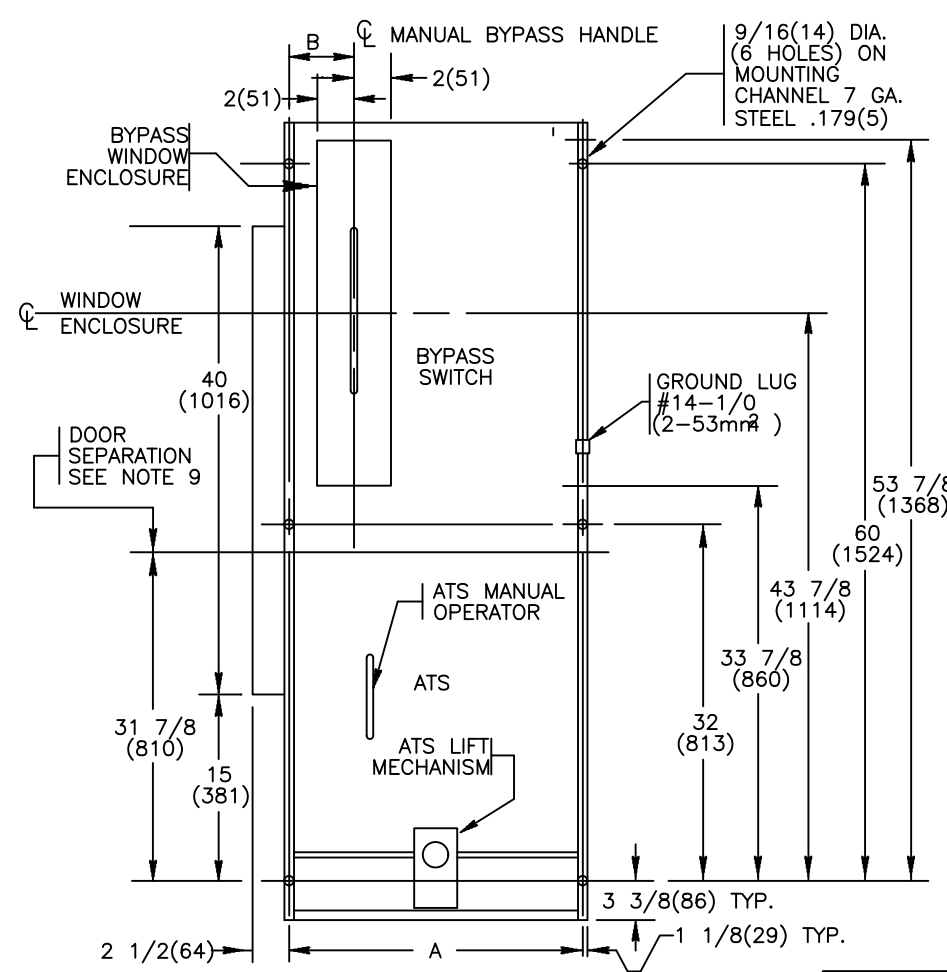


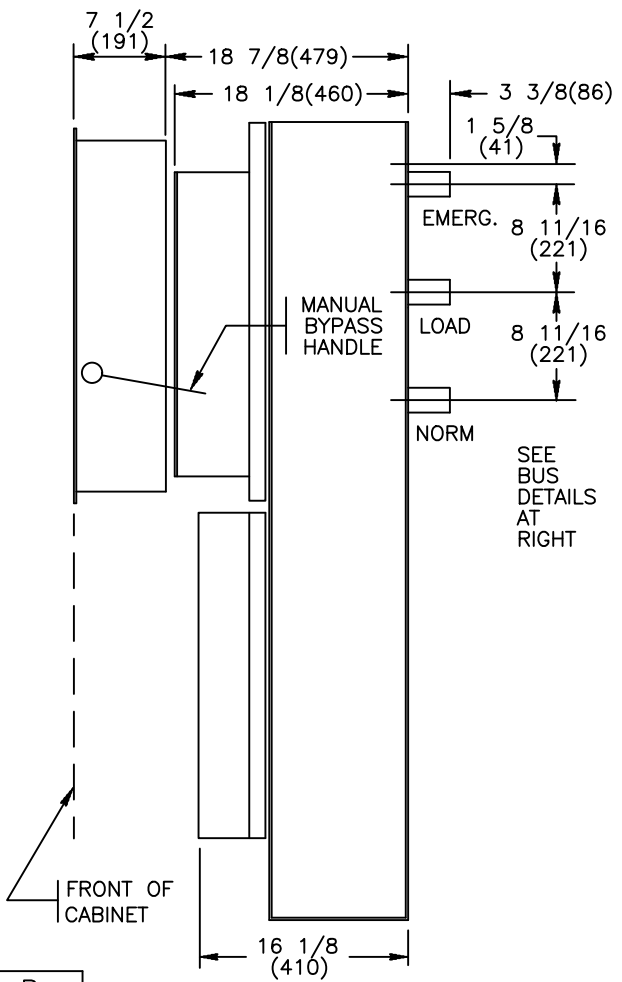
ABB PROPRIETARY AND CONFIDENTIAL INFORMATION

The information contained in the document has to be kept strictly confidential. Any unauthorized use, reproduction, distribution or disclosure to third parties is strictly forbidden. ABB reserves all rights regarding intellectual Property Rights. Copyright 2018 ABB. All rights reserved

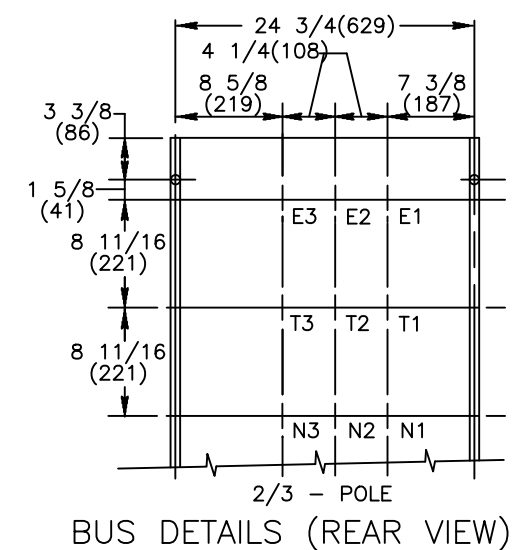
AutoCad Generated



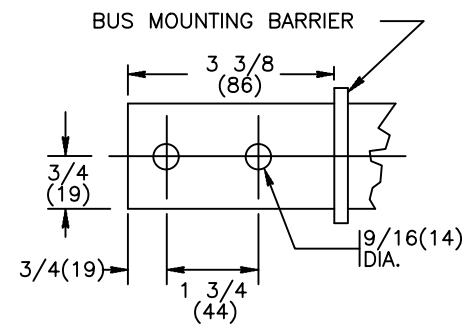
FRONT VIEW



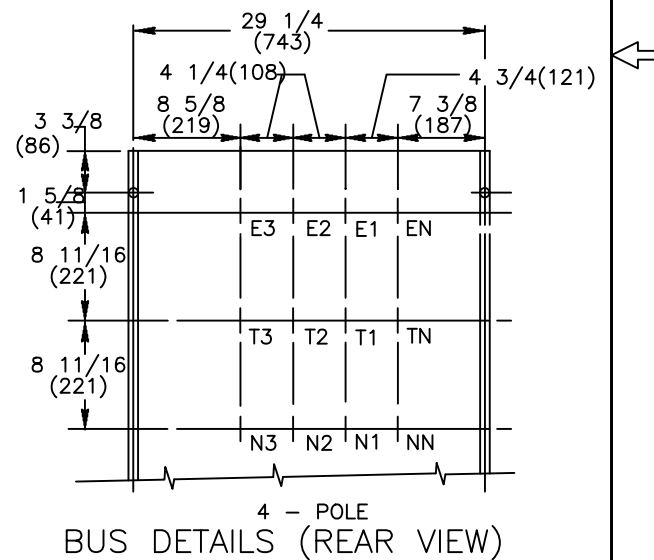
RIGHT SIDE VIEW



BUS DETAILS (REAR VIEW)



BUS DETAIL
3/8(10) X 1 1/2(38) BAR



BUS DETAILS (REAR VIEW)

	A	B
2/3-POLES	24 3/4 (629)	3 3/8 (86)
4-POLES	29 1/4 (743)	9 3/4 (248)

NOTES:

1. THE LOCATION OF THE WINDOW ENCLOSURE WITH RELATION TO THE DIMENSIONS OF THE OPEN STYLE BYPASS SWITCH ARE CRITICAL TO THE ALIGNMENT OF THE MANUAL BYPASS HANDLE.
2. SEE SHEET 3 FOR RECOMMENDED DOOR MODIFICATIONS AND CONTROL PANEL DIMENSIONS.
3. FOR 2-POLE SWITCHES, OMIT CENTER POLE.
4. OPEN TYPE BYPASS SWITCH IS SUPPLIED WITH 6 FT. (1.8m) LONG HARNESS BETWEEN ATS POWER AND CONTROL PANELS. HARNESS EXITS FROM CENTER RIGHT OF SWITCH FRAME.
5. RUN ALL CABLES IN REAR OF ENCLOSURE. NO CABLE ENTRY IN FRONT OF ENCLOSURE.
6. ATS DRAWS OUT TOWARD FRONT OF ENCLOSURE.
7. MAINTAIN ELECTRICAL CLEARANCE OF 1(25mm) MINIMUM BETWEEN LIVE METAL PARTS AND GROUNDED METAL.
8. CUSTOMERS CUBICLE MUST INCLUDE A TWO DOOR FRONT. THE TOP DOOR (WHICH ALLOWS ACCESS TO THE BYPASS UNIT) CANNOT BE OPENED UNTIL BOTTOM DOOR IS OPENED.
9. ALL DIMENSIONS ARE FOR REFERENCE ONLY AND SHOWN IN INCHES(MILLIMETERS).

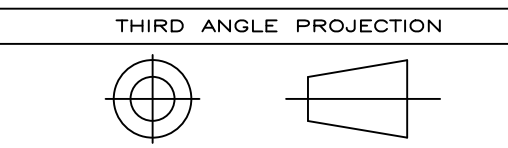


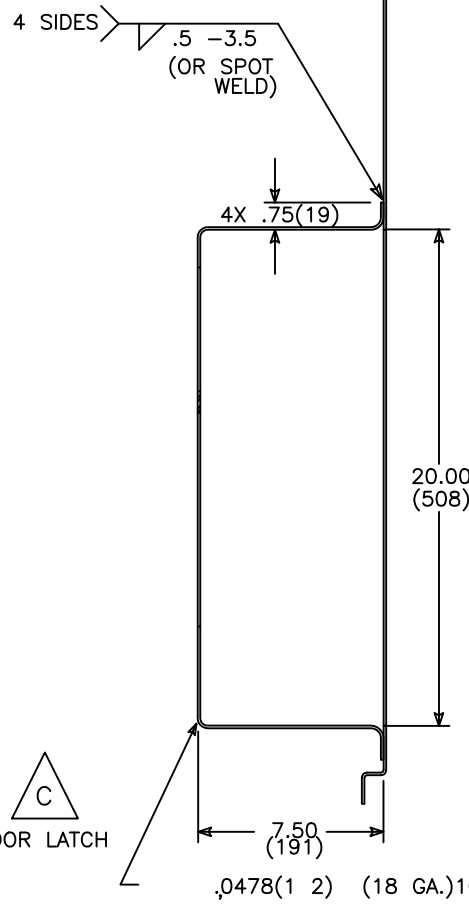
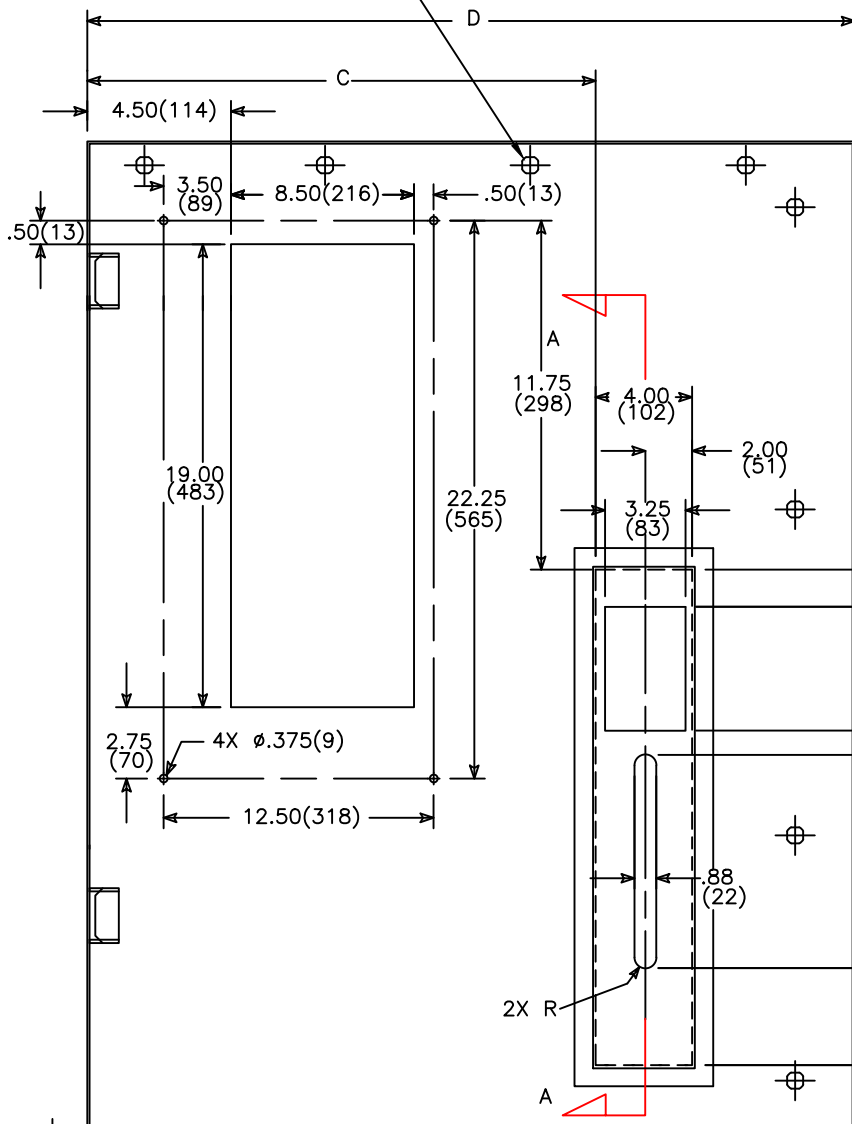
ABB PROPRIETARY AND CONFIDENTIAL INFORMATION
 The information contained in the document has to be kept strictly confidential. Any unauthorized use, reproduction, distribution or disclosure to third parties is strictly forbidden. ABB reserves all rights regarding intellectual Property Rights. Copyright 2018 ABB. All rights reserved

SIGNATURES		DATE		BYPASS SWITCH FRONT LUGS	
MODEL	JP	2/12/97			
DETAIL					
CHECKED					
ENGRG	SB	2/12/97			
MFG				TITLE	
QUALITY				FIRST MADE FOR: ZBTSCT 100-600 AMP, ZBTSDD 600 AMP ONLY, 2,3 4 POLES	
ISSUED				SIZE	
DRAWING FILE: 50c-2026.dwg		CAGE CODE		DWG NO	
MODEL / ASSEMBLY FILE: ZBTSCT 100-600 A, ZBTSDD 600 A ONLY, 2,3 4 P		B		50C-2026	
AutoCad Generated		# CTQs	⊖ CRITICAL TO QUALITY CHARACTERISTIC	SCALE: N/A	SHEET 2 OF 3

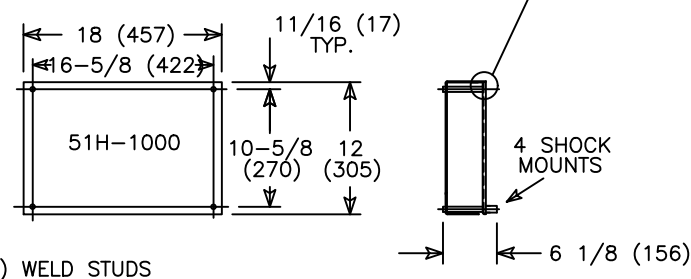
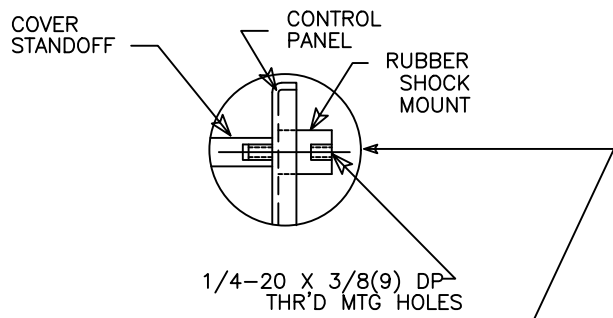


QUARTER TURN LATCH
QTY : 18

NO. POLES	C	D
2/3 POLES	25.50(648)	35.75(908)
4 POLES	23.12(587)	39.75(1010)



SECT. A-A



10X 1/4-20 X 1/2(13) WELD STUDS
OR 1/4-20 X 5/8(16) PEM STUDS

DOOR DETAIL (INSIDE VIEW)

CONTROL PANEL

ALL DIMENSIONS ARE FOR REFERENCE ONLY
AND SHOWN IN INCHES(MILLIMETERS).

ABB PROPRIETARY AND CONFIDENTIAL INFORMATION The information contained in the document has to be kept strictly confidential. Any unauthorized use, reproduction, distribution or disclosure to third parties is strictly forbidden. ABB reserves all rights regarding Intellectual Property Rights. Copyright 2018 ABB. All rights reserved.	SIGNATURES MODEL JP DATE 2/12/97		ABB TITLE BYPASS SWITCH DOOR MODIFICATIONS
	CHECKED ENGRG SB DATE 2/12/97		
THIRD ANGLE PROJECTION	MFG QUALITY ISSUED		FIRST MADE FOR: ZBTSC100-600 AMPS, ZBTSD 600AMP ONLY, 2,3 4 POLES
	DRAWING FILE: 50c-2026.dwg MODEL / ASSEMBLY FILE: ZBTSC100-600 AMP, ZBTSD 600AMP ONLY, 2,3 4 POLES	SIZE B CAGE CODE DWG NO 50C-2026	SCALE: NA SHEET 3 OF 3
AutoCad Generated	# CTQs CRITICAL TO QUALITY CHARACTERISTIC		

