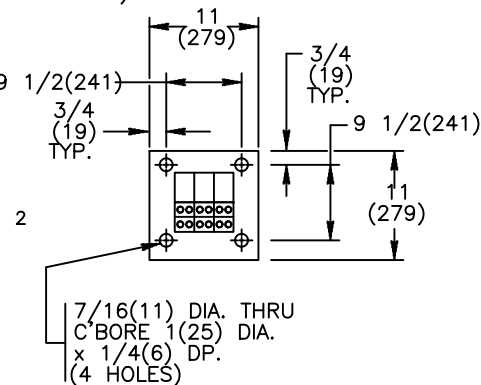


REVISIONS			
REV.	DESCRIPTION	DATE	APPROVED
1	C076901	09/20/19	AR MAS

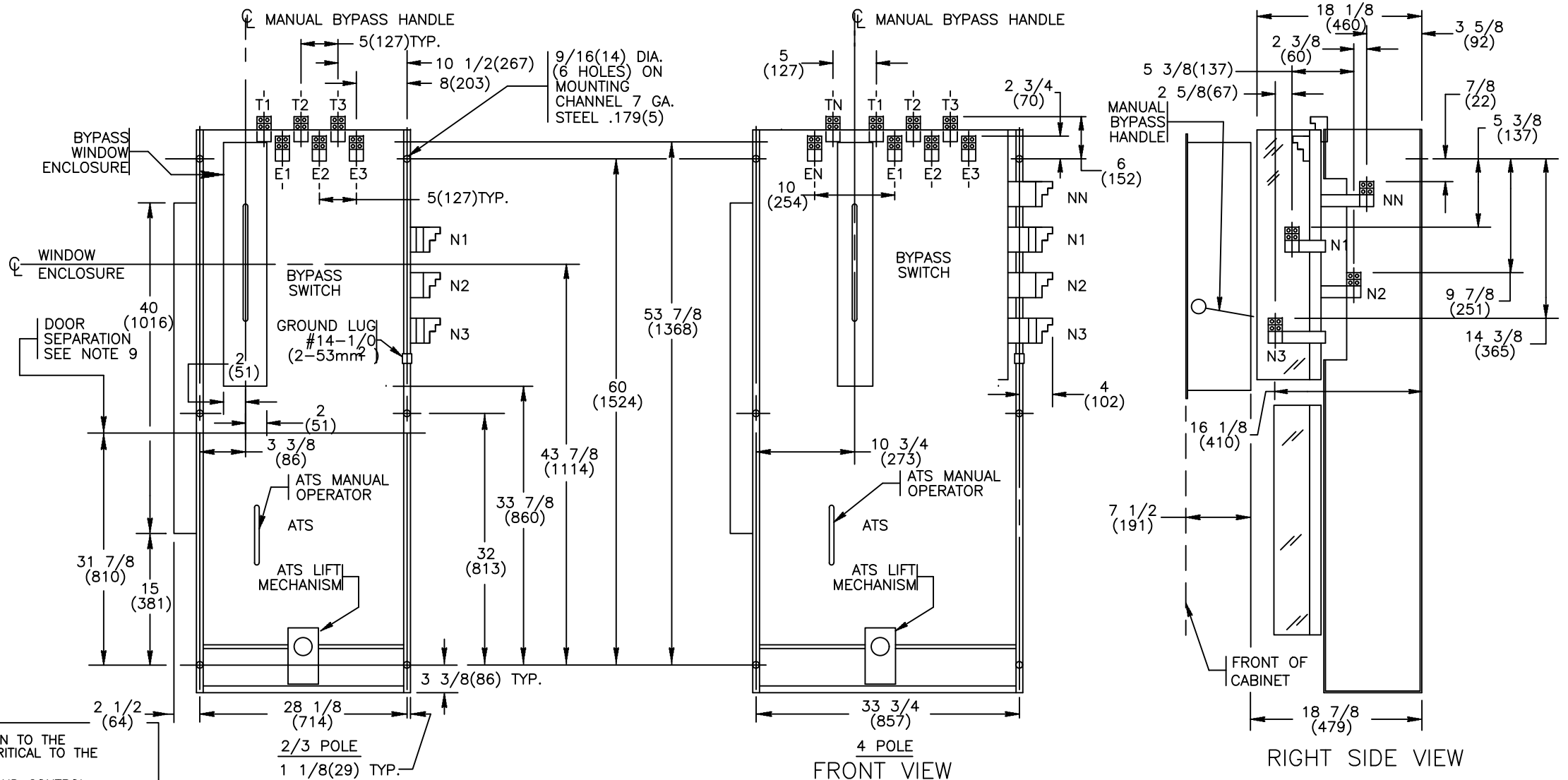
LUG SIZE:
(QTY 12)
#2-600 MCM
(33-304mm)



NEUTRAL BAR ASSEMBLY

NOTES:

1. THE LOCATION OF THE WINDOW ENCLOSURE WITH RELATION TO THE DIMENSIONS OF THE OPEN STYLE BYPASS SWITCH ARE CRITICAL TO THE ALIGNMENT OF THE MANUAL BYPASS HANDLE.
2. SEE SHEET 3 FOR RECOMMENDED DOOR MODIFICATIONS AND CONTROL PANEL DIMENSIONS.
3. FOR 2-POLE SWITCHES, OMIT CENTER POLE.
4. OPEN TYPE BYPASS SWITCH IS SUPPLIED WITH 6 FT. (1.8m) LONG HARNESS BETWEEN ATS POWER AND CONTROL PANELS. HARNESS EXITS FROM CENTER RIGHT OF SWITCH FRAME.
5. RUN ALL CABLES IN REAR OF ENCLOSURE. NO CABLE ENTRY IN FRONT OF ENCLOSURE.
6. ATS DRAWS OUT TOWARD FRONT OF ENCLOSURE.
7. MAINTAIN ELECTRICAL CLEARANCE OF 1(25mm) MINIMUM BETWEEN LIVE METAL PARTS AND GROUNDED METAL.
8. CUSTOMERS CUBICLE MUST INCLUDE A TWO DOOR FRONT. THE TOP DOOR (WHICH ALLOWS ACCESS TO THE BYPASS UNIT) CANNOT BE OPENED UNTIL BOTTOM DOOR IS OPENED.
9. DIMENSIONS FOR 3-POLE AND 4-POLE SWITCHES ARE IDENTICAL EXCEPT AS NOTED.
10. ALL DIMENSIONS ARE FOR REFERENCE ONLY AND SHOWN IN INCHES(MILLIMETERS).



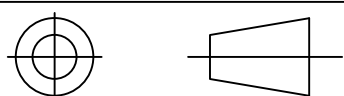
	LUG SIZES
800A	(QTY 4) #2-600 MCM (33-304mm ²)
1000, 1200A	(QTY 4) #2-600 MCM (33-304mm ²)

SIGNATURES	DATE
MODEL JP	2/12/97
DETAIL	
CHECKED	
ENGRG SB	2/12/97
MFG	
QUALITY	
ISSUED	

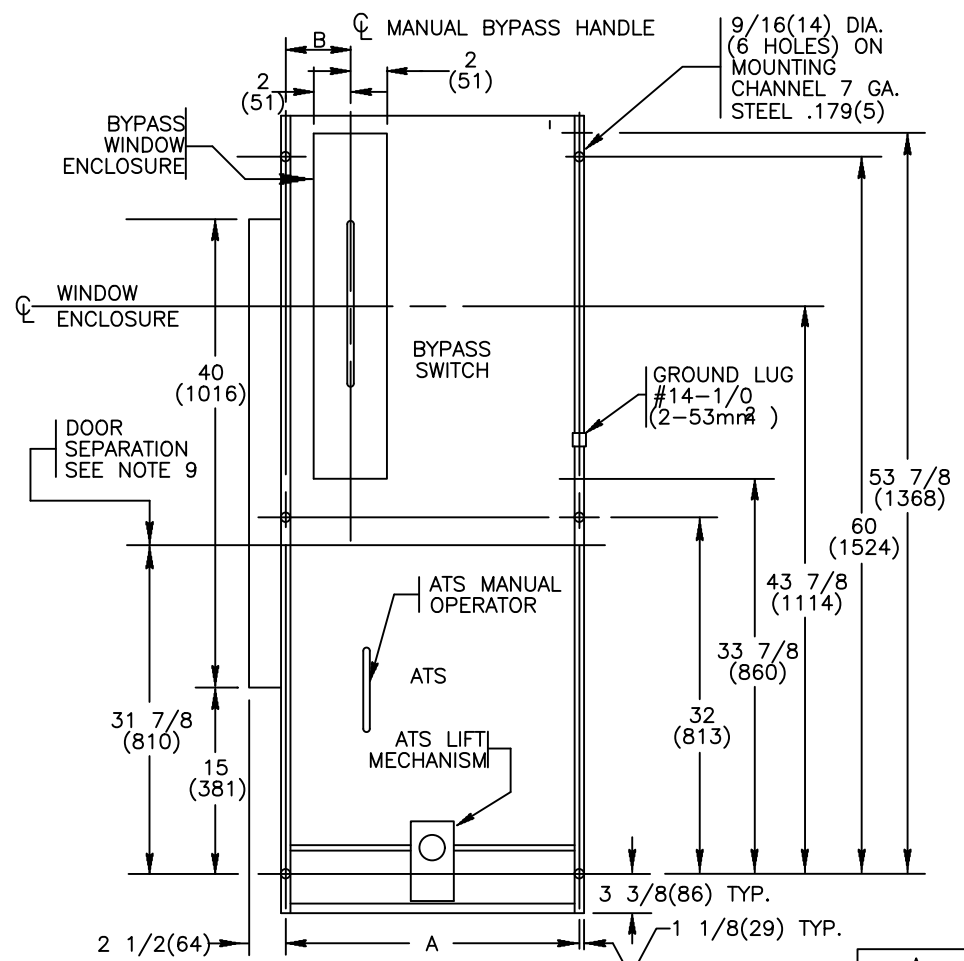
ABB		
TITLE BYPASS SWITCH FRONT LUGS		
FIRST MADE FOR: ZBTSD/CT 800-1200 AMP 2,3 4 POLES		
DRAWING FILE: 50c-2027.dwg	SIZE B	DWG NO 50C-2027
MODEL / ASSEMBLY FILE: ZBTSD/CT 800-1200 AMP 2,3 4 POLES	# CTQs	SCALE: N/A
AutoCad Generated	CRITICAL TO QUALITY CHARACTERISTIC	SHEET 1 OF 3

ABB PROPRIETARY AND CONFIDENTIAL INFORMATION
The information contained in the document has to be kept strictly confidential. Any unauthorized use, reproduction, distribution or disclosure to third parties is strictly forbidden. ABB reserves all rights regarding intellectual Property Rights. Copyright 2018 ABB. All rights reserved.

THIRD ANGLE PROJECTION

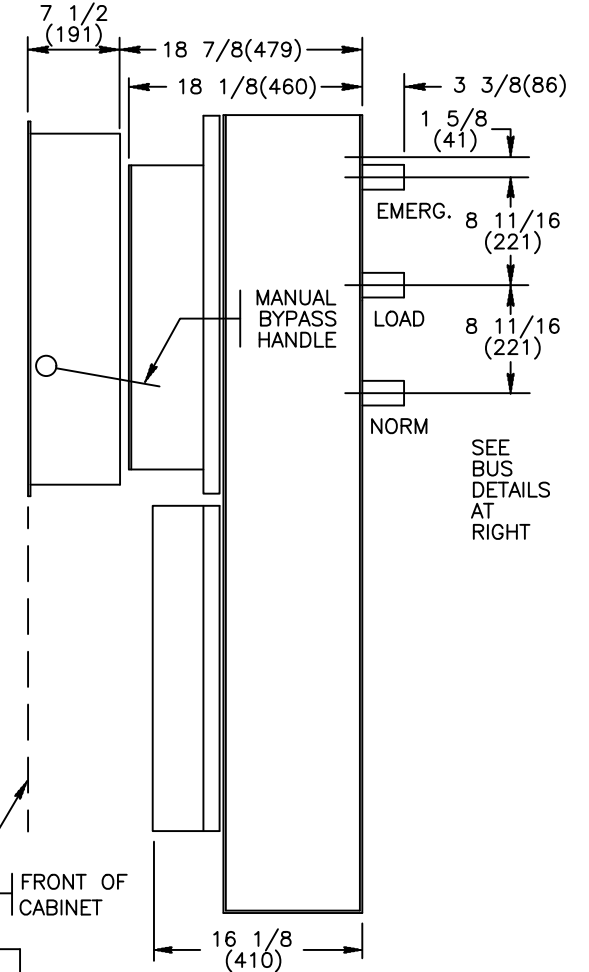


AutoCad Generated

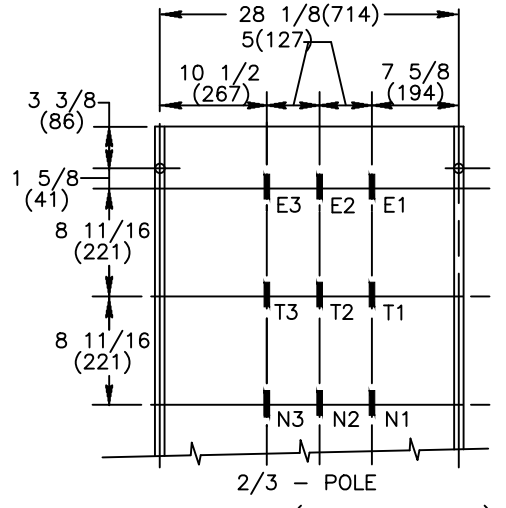


FRONT VIEW

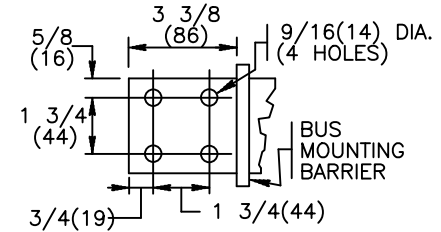
	A	B
2/3-POLES	28 1/8 (714)	3 3/8 (86)
4-POLES	33 3/4 (857)	10 3/4 (273)



RIGHT SIDE VIEW

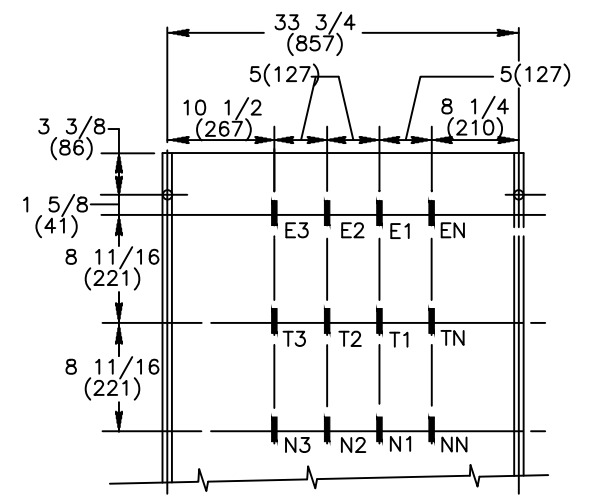


BUS DETAILS (REAR VIEW)



800 AMP	3/8(10) X 3(76) BAR
1000,1200 AMP	1/2(13) X 3(76) BAR

BUS DETAIL



BUS DETAILS (REAR VIEW)

NOTES:

1. THE LOCATION OF THE WINDOW ENCLOSURE WITH RELATION TO THE DIMENSIONS OF THE OPEN STYLE BYPASS SWITCH ARE CRITICAL TO THE ALIGNMENT OF THE MANUAL BYPASS HANDLE.
2. SEE SHEET 3 FOR RECOMMENDED DOOR MODIFICATIONS AND CONTROL PANEL DIMENSIONS.
3. FOR 2-POLE SWITCHES, OMIT CENTER POLE.
4. OPEN TYPE BYPASS SWITCH IS SUPPLIED WITH 6 FT. (1.8m) LONG HARNESS BETWEEN ATS POWER AND CONTROL PANELS. HARNESS EXITS FROM CENTER RIGHT OF SWITCH FRAME.
5. RUN ALL CABLES IN REAR OF ENCLOSURE. NO CABLE ENTRY IN FRONT OF ENCLOSURE.
6. ATS DRAWS OUT TOWARD FRONT OF ENCLOSURE.
7. MAINTAIN ELECTRICAL CLEARANCE OF 1(25mm) MINIMUM BETWEEN LIVE METAL PARTS AND GROUNDED METAL.
8. CUSTOMERS CUBICLE MUST INCLUDE A TWO DOOR FRONT. THE TOP DOOR (WHICH ALLOWS ACCESS TO THE BYPASS UNIT) CANNOT BE OPENED UNTIL BOTTOM DOOR IS OPENED.
9. ALL DIMENSIONS ARE FOR REFERENCE ONLY AND SHOWN IN INCHES(MILLIMETERS).



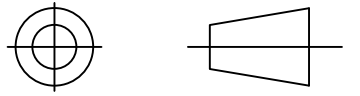
BYPASS SWITCH
REAR BUS

FIRST MADE FOR: ZBTSD/CT 800-1200 AMP 2,3, 4 POLES	
SIZE	CAGE CODE
B	DWG NO
50C-2027	

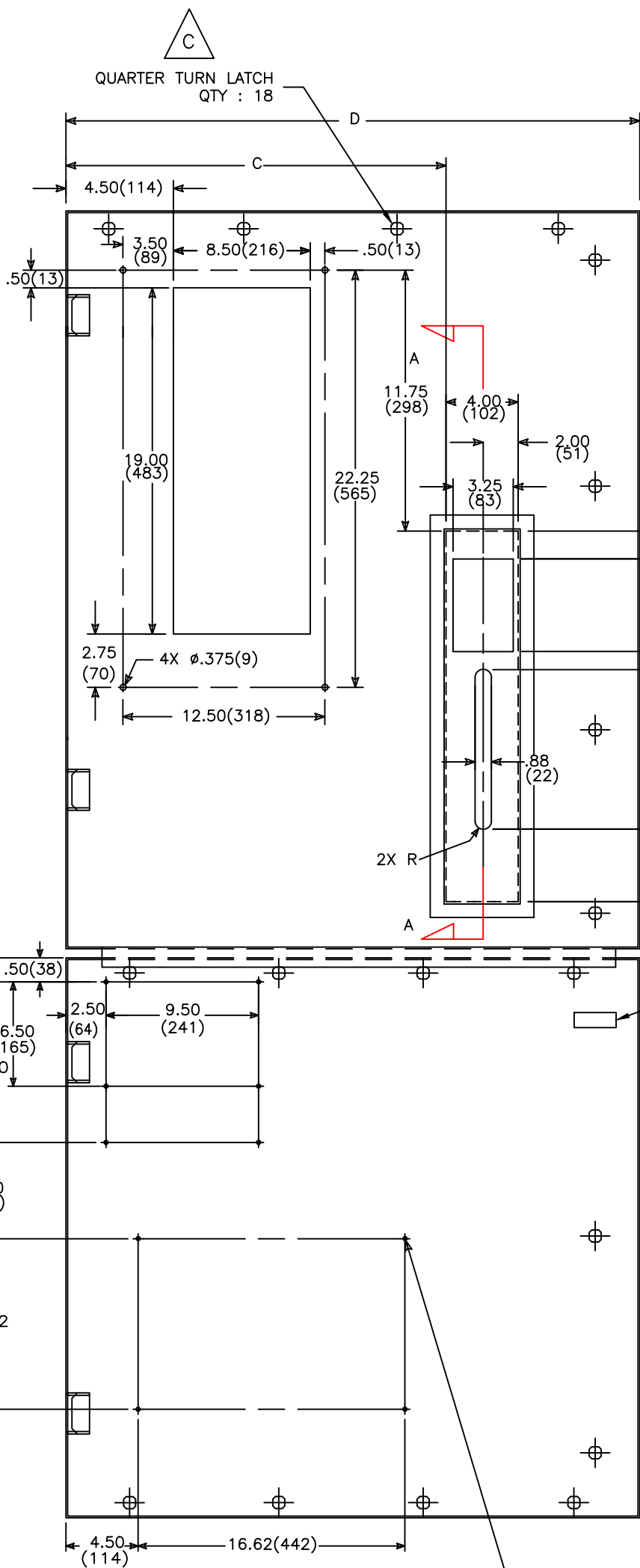
SCALE: N/A SHEET 2 OF 3

ABB PROPRIETARY AND CONFIDENTIAL INFORMATION
The information contained in the document has to be kept strictly confidential. Any unauthorized use, reproduction, distribution or disclosure to third parties is strictly forbidden. ABB reserves all rights regarding intellectual Property Rights. Copyright 2018 ABB. All rights reserved

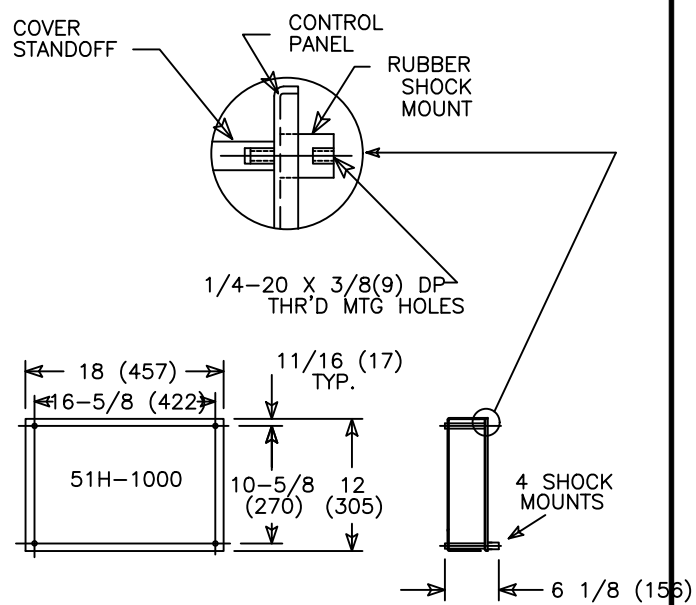
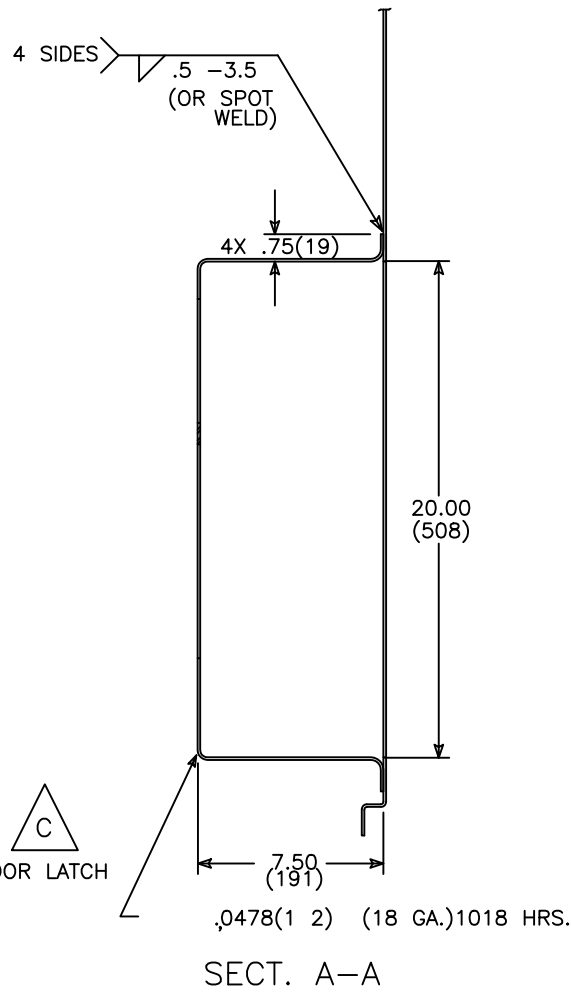
THIRD ANGLE PROJECTION



FOR ADDITIONAL INFO REFER TO	SIGNATURES	DATE
APPLIED PRACTICES	MODEL JP	2/12/97
UNLESS OTHERWISE SPECIFIED DIMENSIONS ARE IN INCHES	DETAIL	
TOLERANCES ON:	CHECKED	
2 PL. DECIMALS ± .020	ENGRG SB	2/12/97
3 PL. DECIMALS ± .005	MFG	
ANGLES ± 1°	QUALITY	
FRACTIONS ± 1/64	ISSUED	
FINISH	DRAWING FILE: 50C-2027.dwg	
✓	MODEL / ASSEMBLY FILE: ZBTSD/CT 800-1200 AMP 2,3, 4 POLES	
AutoCad Generated	# CTOs	⊕ CRITICAL TO QUALITY CHARACTERISTIC



NO. POLES	C	D
2/3 POLES	29.50(749)	39.75(1010)
4 POLES	28.19(716)	45.75(1162)



DOOR DETAIL (INSIDE VIEW)

CONTROL PANEL

ALL DIMENSIONS ARE FOR REFERENCE ONLY
AND SHOWN IN INCHES(MILLIMETERS).

ABB PROPRIETARY AND CONFIDENTIAL INFORMATION The information contained in the document has to be kept strictly confidential. Any unauthorized use, reproduction, distribution or disclosure to third parties is strictly forbidden. ABB reserves all rights regarding Intellectual Property Rights. Copyright 2018 ABB. All rights reserved.	SIGNATURES MODEL JP DATE 2/12/97		
	CHECKED ENGRG SB DATE 2/12/97		
THIRD ANGLE PROJECTION	DRAWING FILE: 50c-2027.dwg MODEL / ASSEMBLY FILE: ZBTSD/CT 800-1200 AMP 2,3, 4 POLES		FIRST MADE FOR: ZBTSD/CT 800-1200 AMP 2,3, 4 POLES SIZE B CAGE CODE DWG NO 50C-2027
	AutoCad Generated	# CTQs CRITICAL TO QUALITY CHARACTERISTIC	SCALE: NA SHEET 3 OF 3

