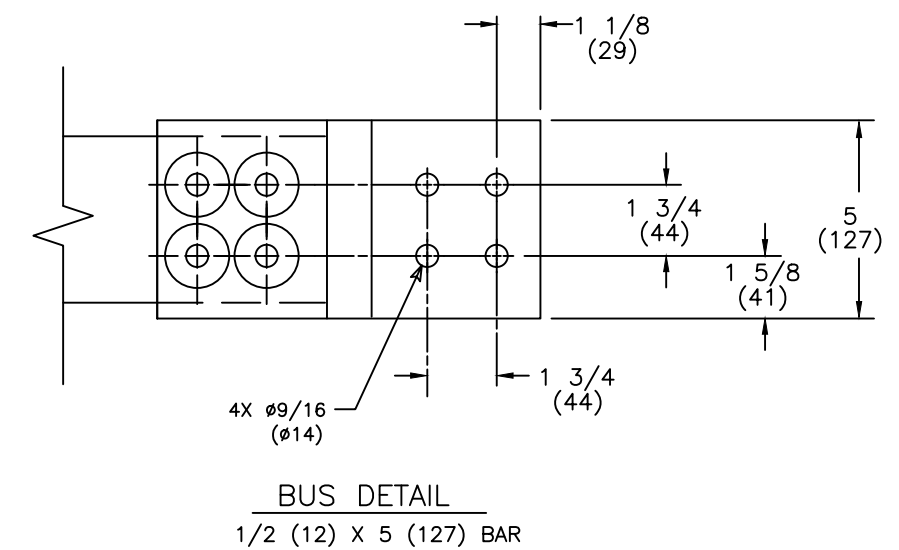
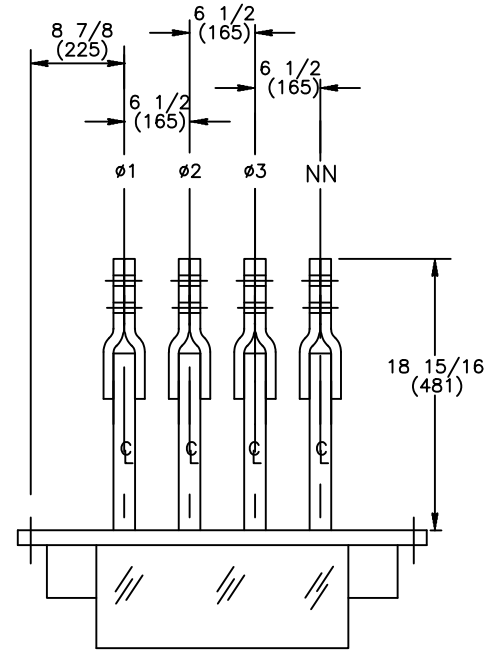
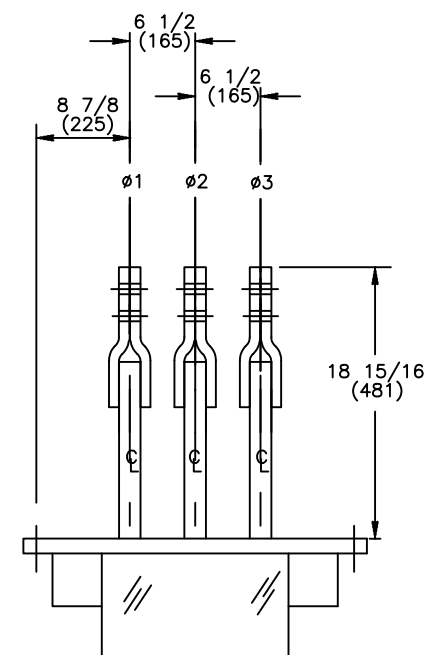


REVISIONS			
REV.	DESCRIPTION	DATE	APPROVED
2	C076901 UPDATED REBRANDING	09/20/19	AR MAS



	A
2/3-POLE	30 3/4 (781)
4-POLE	37 1/4 (946)



- NOTES:
1. CONSTRUCTION PER UL 1008 STANDARD.
  2. OPEN TYPE SWITCH SUPPLIED WITH 6 FT. (1,8m) LONG HARNESS BETWEEN POWER AND CONTROL PANELS. HARNESS EXITS FROM LOWER RIGHT CORNER OF POWER PANEL.
  3. REAR CONNECT DESIGN. REAR OR SIDE ACCESS REQUIRED.
  4. MAINTAIN ELECTRICAL CLEARANCE OF 1(25mm) MIN. BETWEEN LIVE METAL PARTS AND GROUNDED METAL.
  5. SEE SHEET 2 FOR DOOR DETAILS.
  6. LUGS ARE AVAILABLE AS AN OPTION.
  7. REFER NEMA-1 CABINET DRAWING FOR RECOMMENDED CABINET SIZE.

SIGNATURES	DATE
MODEL GG	08/27/01
DETAIL	
CHECKED	
ENGRG SK	08/27/01
MFG	
QUALITY	
ISSUED	
DRAWING FILE: 50C-2030.dwg	
MODEL / ASSEMBLY FILE: ZTS(D/CT) 4000 AMP	
# CTQs	⊖ CRITICAL TO QUALITY CHARACTERISTIC

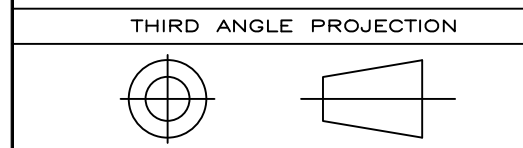
**ABB**

TITLE  
OPEN TYPE ATS LAYOUT  
FOR 4000A ATS-REAR BUS

FIRST MADE FOR: ZTS(D/CT) 4000 AMP

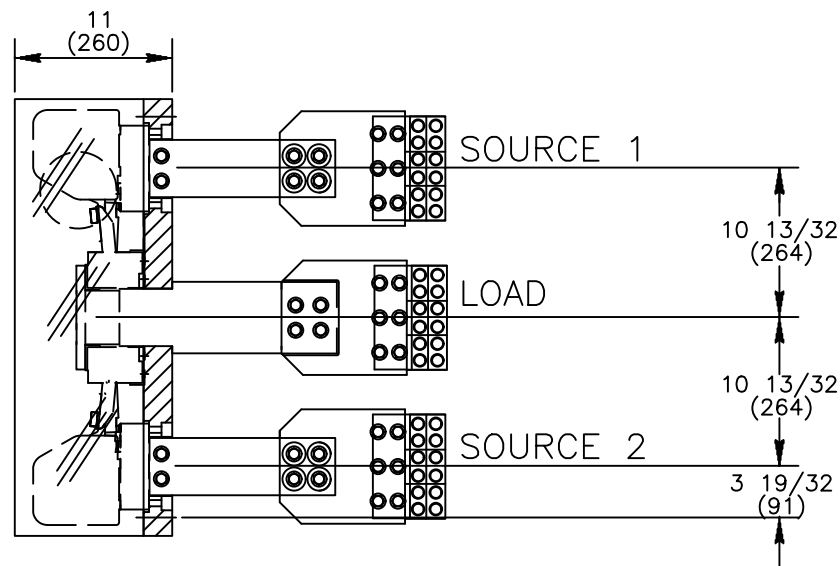
SIZE B	CAGE CODE	DWG NO 50C-2030
--------	-----------	-----------------

SCALE: - SHEET 1 OF 2



**ABB PROPRIETARY AND CONFIDENTIAL INFORMATION**  
 The information contained in the document has to be kept strictly confidential.  
 Any unauthorized use, reproduction, distribution or disclosure to third parties is strictly forbidden.  
 ABB reserves all rights regarding intellectual Property Rights.  
 Copyright 2018 ABB. All rights reserved

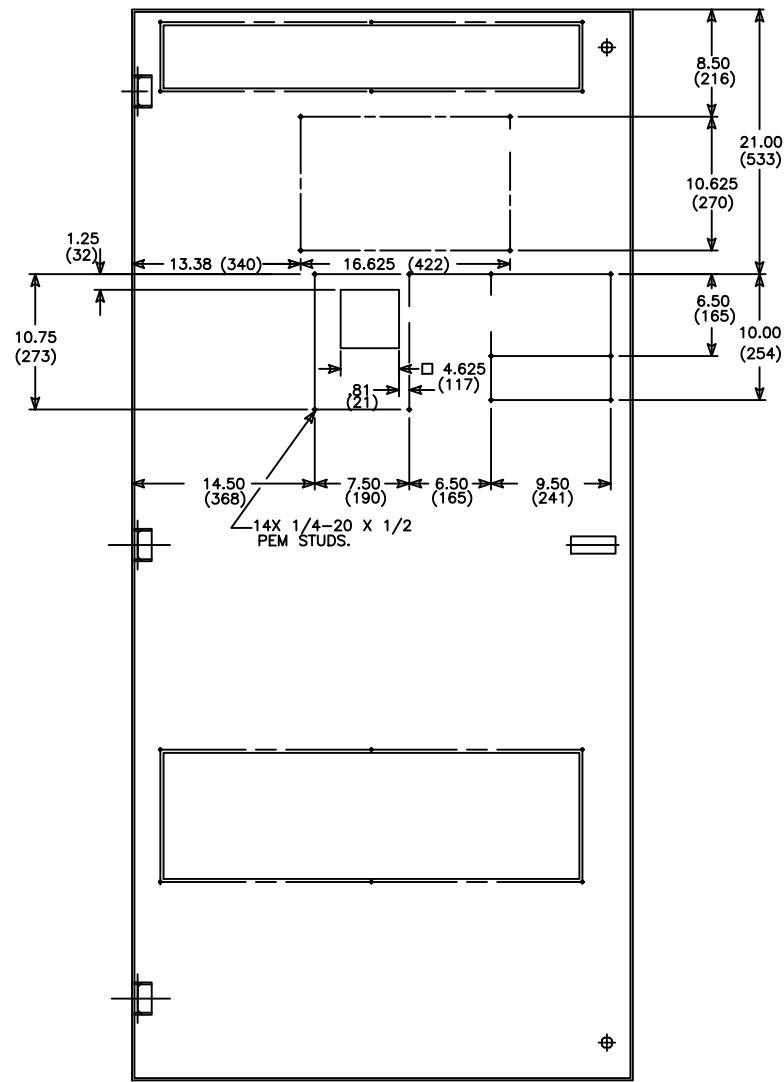
AutoCad Generated



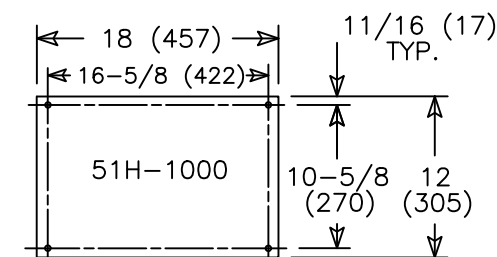
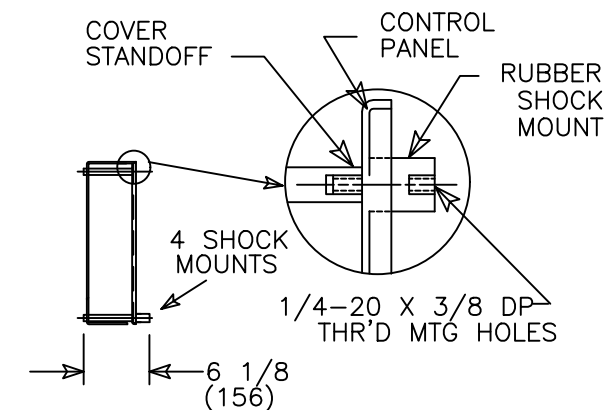
LUG SIZE		
4000A	(QTY 12)	#2- 600 MCM (33-304mm <sup>2</sup> )
LUGS ARE SUPPLIED AS OPTIONAL ACCESSORIES ONLY		

RIGHT SIDE VIEW

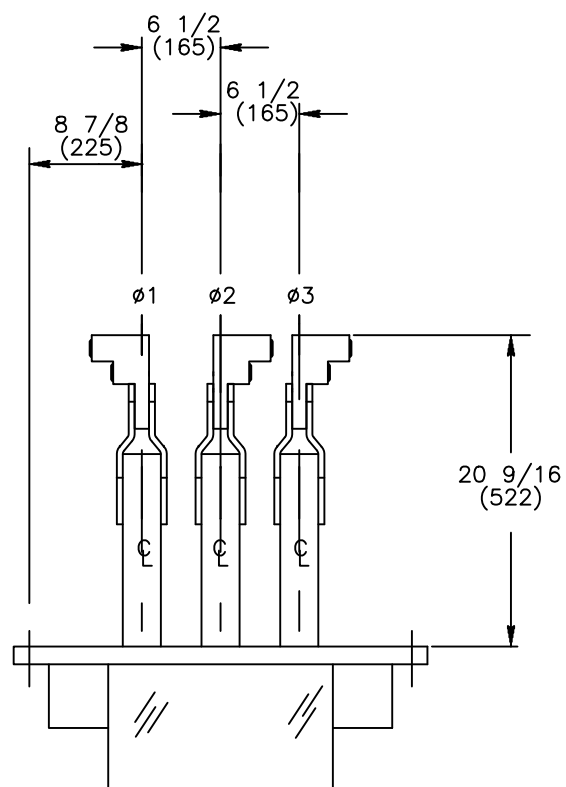
VIEW DEPICTS OPTIONAL CABLE LUG ORIENTATION



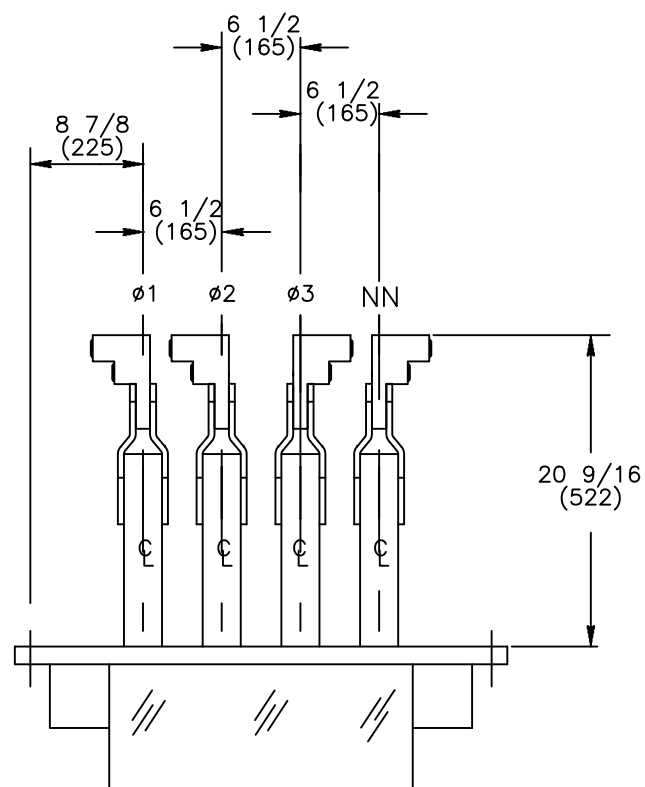
INSIDE CABINET DOOR DETAIL



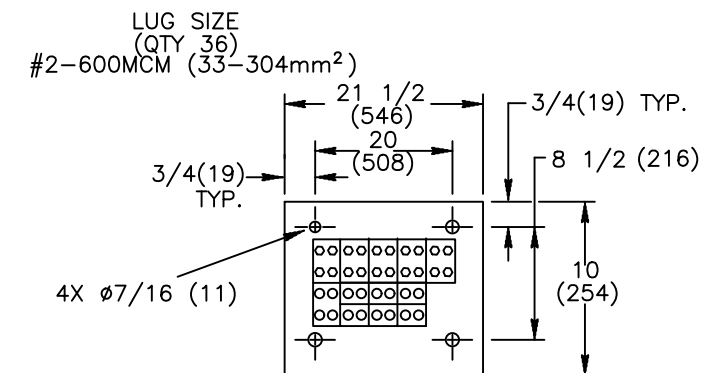
CONTROL PANEL



2/3-POLE SWITCH LUG DETAILS (TOP VIEW)



4-POLE SWITCH LUG DETAILS (TOP VIEW)

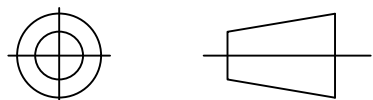


NEUTRAL BAR ASSEMBLY

SIGNATURES	DATE
MODEL GG	08/27/01
DETAIL	
CHECKED	
ENGRG MAS	
MFG	
QUALITY	
ISSUED	
DRAWING FILE: 50C-2030.dwg	
MODEL / ASSEMBLY FILE: ZTS(D/CT) 4000 AMP	
# CTQs	⊖ CRITICAL TO QUALITY CHARACTERISTIC

TITLE	
<b>ABB</b>	
OPEN TYPE ATS LAYOUT REAR BUS & LUGS	
FIRST MADE FOR: ZTS(D/CT) 4000 AMP	
SIZE B	CAGE CODE DWG NO
50C-2030	
SCALE: -	SHEET 2 OF 2

THIRD ANGLE PROJECTION



**ABB PROPRIETARY AND CONFIDENTIAL INFORMATION**  
 The information contained in the document has to be kept strictly confidential.  
 Any unauthorized use, reproduction, distribution or disclosure to third parties is strictly forbidden.  
 ABB reserves all rights regarding intellectual Property Rights.  
 Copyright 2018 ABB. All rights reserved

AutoCad Generated