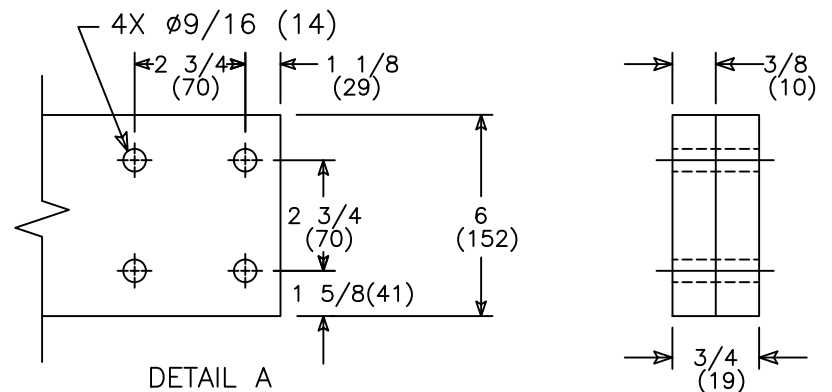
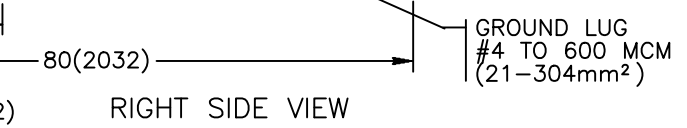
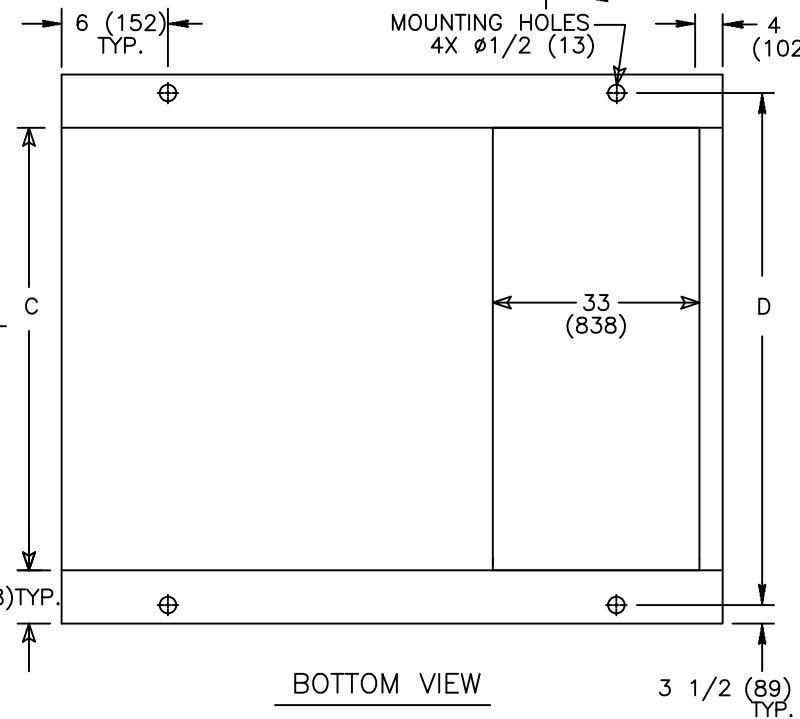
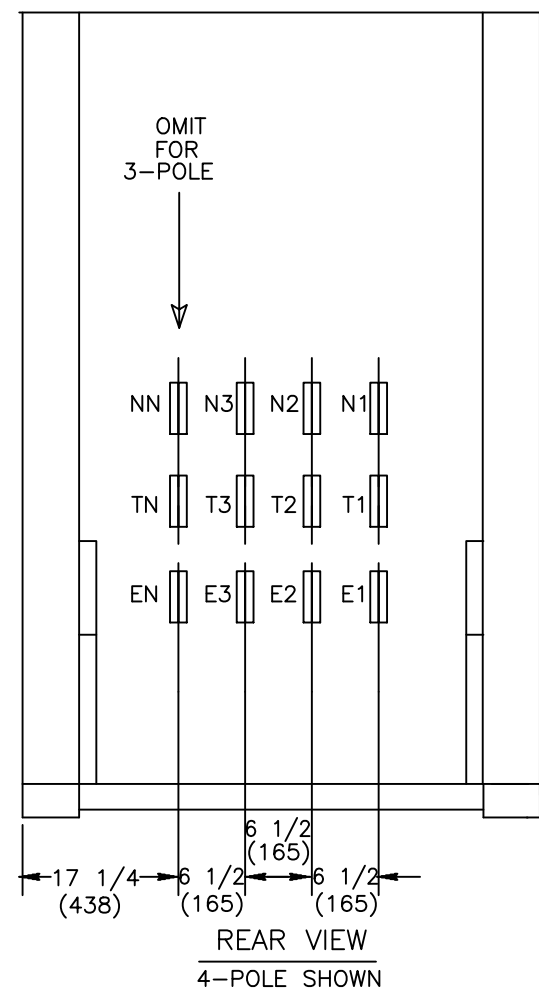
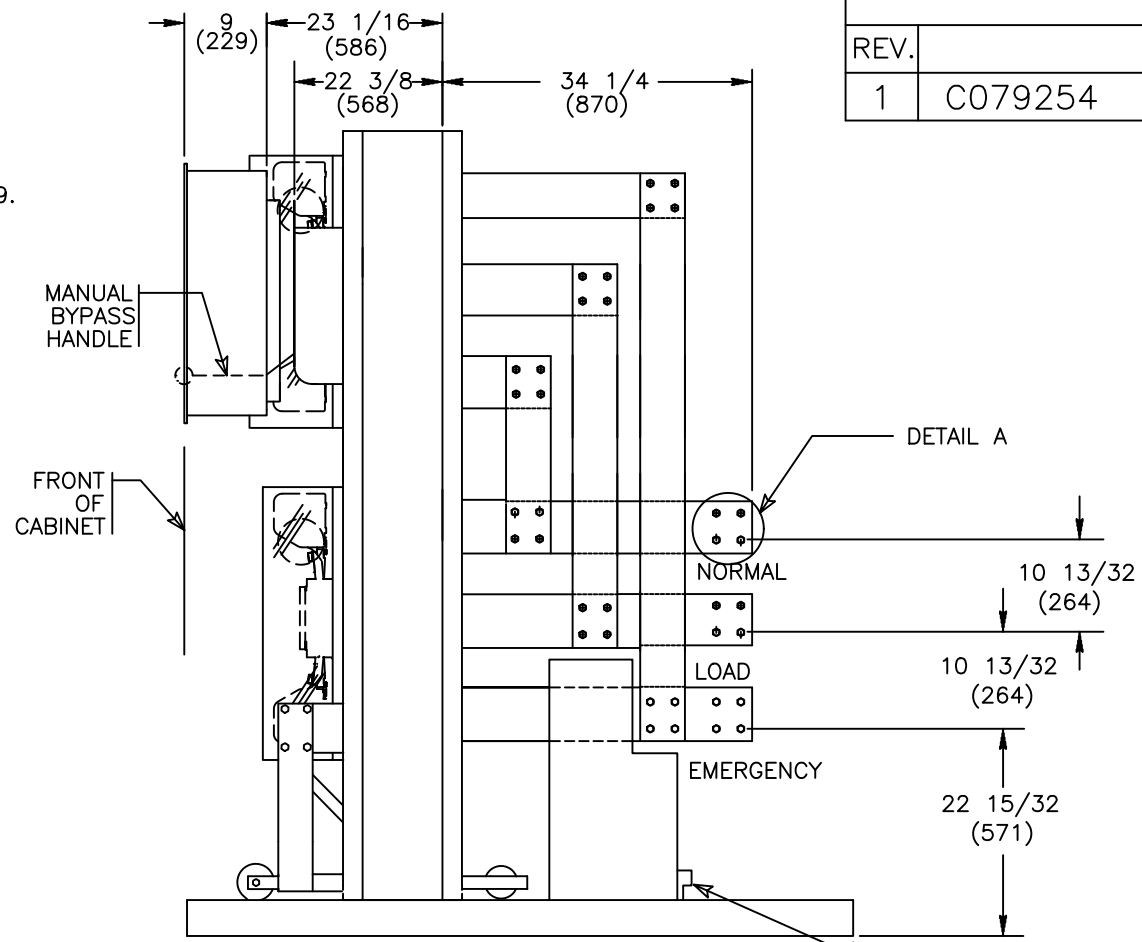
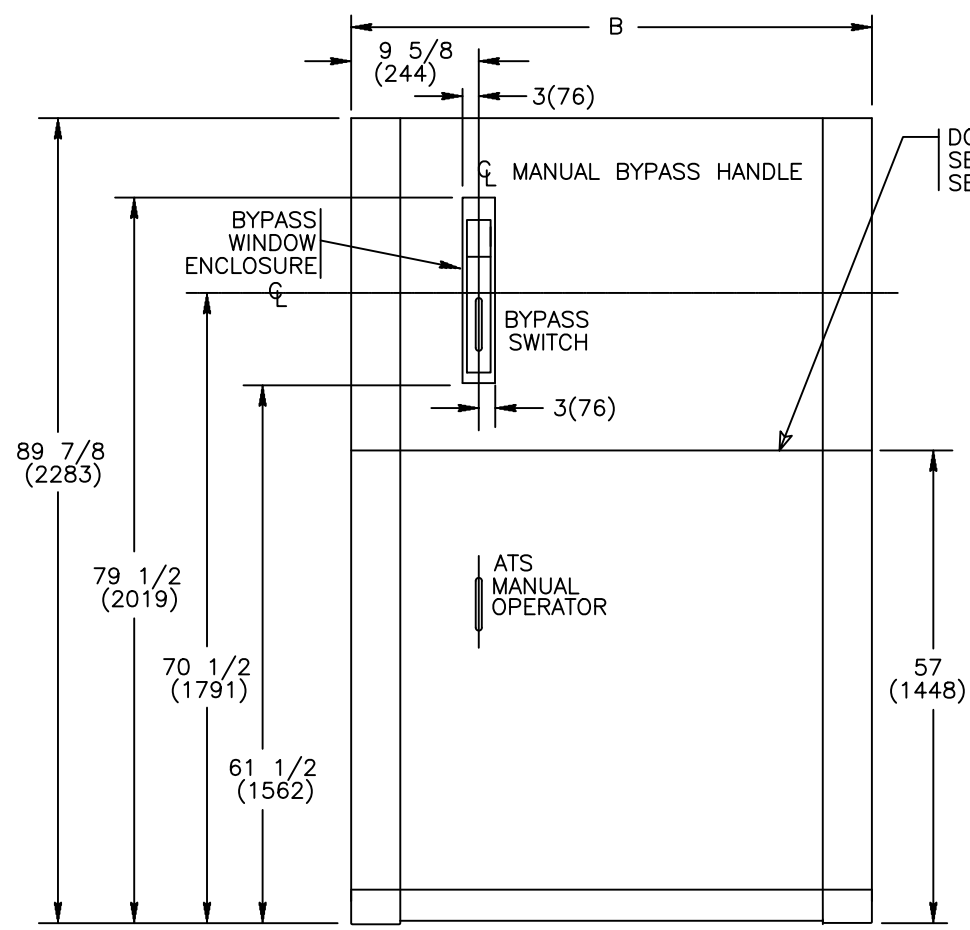


| REVISIONS | | | |
|-----------|----------------------------|----------|----------|
| REV. | DESCRIPTION | DATE | APPROVED |
| 1 | C079254 UPDATED REBRANDING | 10/22/19 | GK MAS |



- NOTES:
1. THE LOCATION OF THE WINDOW ENCLOSURE WITH RELATION TO THE DIMENSIONS OF THE OPEN STYLE BYPASS SWITCH ARE CRITICAL TO THE ALIGNMENT OF THE MANUAL BYPASS HANDLE.
 2. SEE SHEET 3 FOR RECOMMENDED DOOR MODIFICATIONS AND CONTROL PANEL DIMENSIONS.
 3. FOR 2-POLE SWITCHES, OMIT CENTER POLE ON 3-POLE SWITCH.
 4. OPEN TYPE BYPASS SWITCH IS SUPPLIED WITH 6 FT. (1,8m) LONG HARNESS BETWEEN ATS POWER AND CONTROL PANELS. HARNESS EXITS FROM TOP RIGHT OF SWITCH FRAME.
 5. RUN ALL CABLES IN REAR OF ENCLOSURE. NO CABLE ENTRY IN FRONT OF ENCLOSURE.
 6. ATS DRAWS OUT TOWARD FRONT OF ENCLOSURE.
 7. MAINTAIN ELECTRICAL CLEARANCE OF 1(25mm) MINIMUM BETWEEN LIVE METAL PARTS AND GROUNDED METAL.
 8. CUSTOMERS CUBICLE MUST INCLUDE A TWO DOOR FRONT THE TOP DOOR (WHICH ALLOWS ACCESS TO THE BYPASS UNIT) CANNOT BE OPENED UNTIL BOTTOM DOOR IS OPENED.
 9. ALL DIMENSIONS ARE FOR REFERENCE ONLY AND SHOWN IN INCHES(MILLIMETERS).

| | B | C | D |
|-----------|---------------|--------------|---------------|
| 2/3-POLES | 47 1/2 (1206) | 33 1/2 (851) | 40 1/2 (1029) |
| 4-POLES | 54 (1372) | 40 (1016) | 47 (1194) |

| SIGNATURES | | DATE |
|------------------------|----|------------------------------------|
| MODEL | JP | 1/27/98 |
| DETAIL | | |
| CHECKED | | |
| ENGRG | SB | 1/27/98 |
| MFG | | |
| QUALITY | | |
| ISSUED | | |
| DRAWING FILE: | | 50c-2031.dwg |
| MODEL / ASSEMBLY FILE: | | ZBTS(D/CT) 4000 AMP |
| # CTQs | ⊕ | CRITICAL TO QUALITY CHARACTERISTIC |

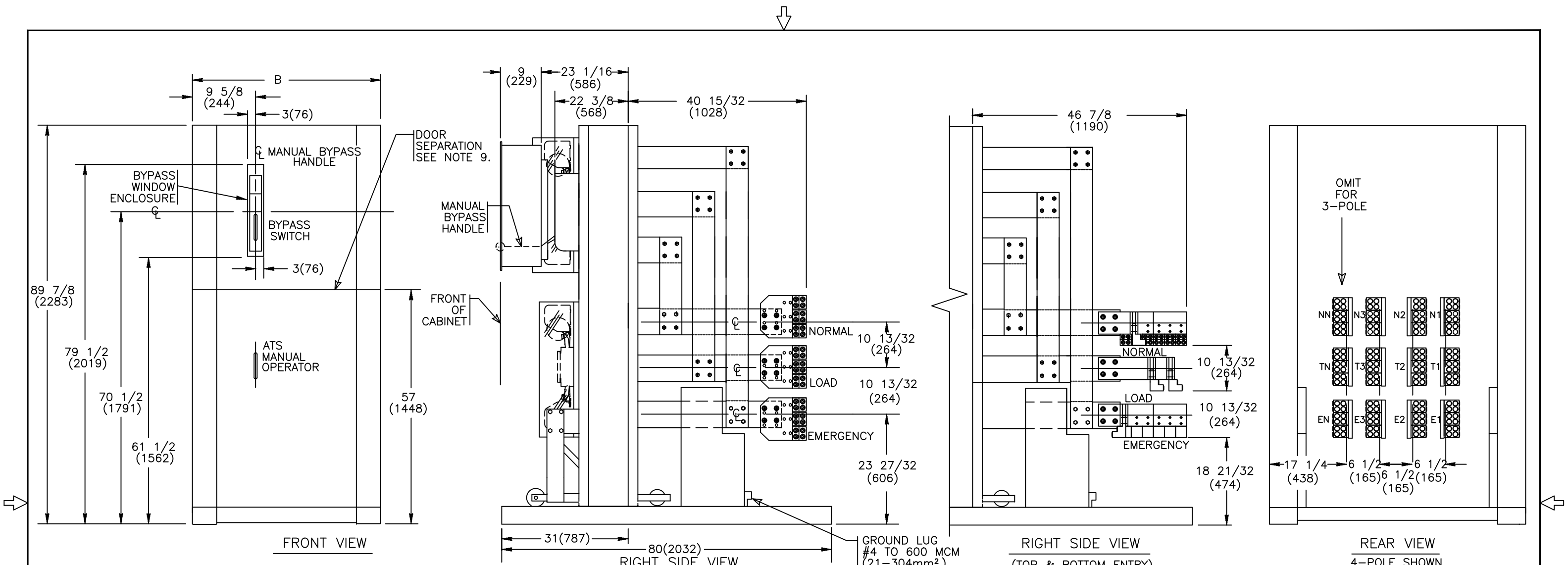
| | | |
|--|--------------|----------|
| ABB | | |
| TITLE BYPASS SWITCH REAR BUS | | |
| FIRST MADE FOR: ZBTS(D/CT) 4000 AMP | | |
| SIZE | CAGE CODE | DWG NO |
| B | | 50C-2031 |
| SCALE: N/A | SHEET 1 OF 3 | |

THIRD ANGLE PROJECTION

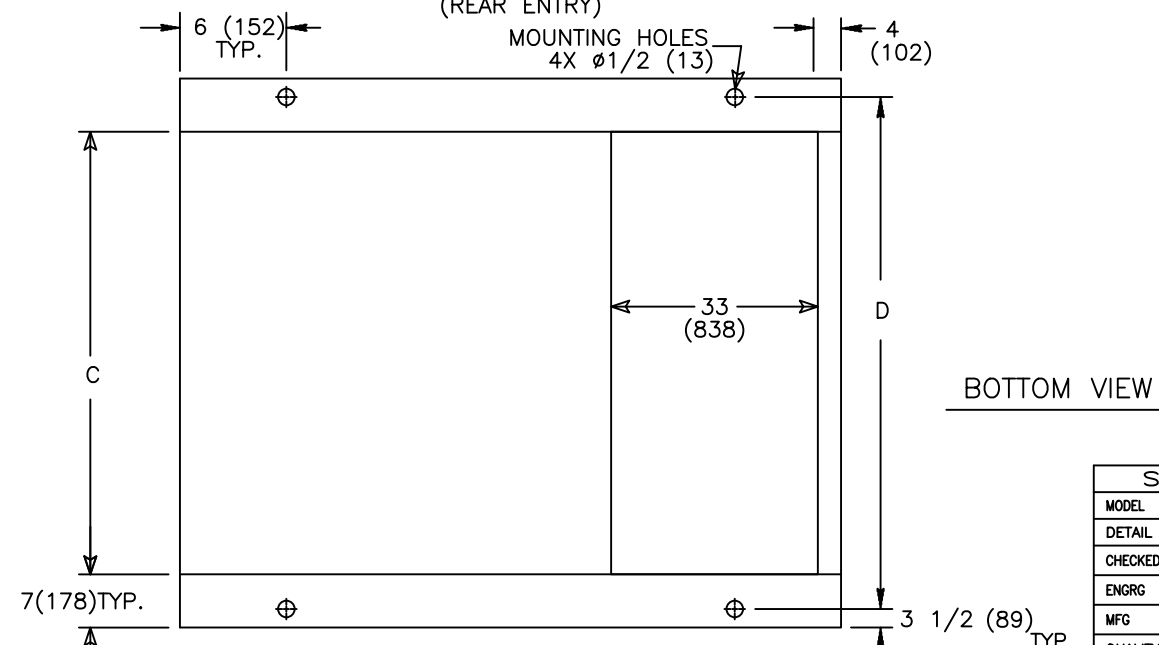
ABB PROPRIETARY AND CONFIDENTIAL INFORMATION

The information contained in the document has to be kept strictly confidential. Any unauthorized use, reproduction, distribution or disclosure to third parties is strictly forbidden.
ABB reserves all rights regarding intellectual Property Rights.
Copyright 2018 ABB. All rights reserved

AutoCad Generated



- NOTES:**
1. THE LOCATION OF THE WINDOW ENCLOSURE WITH RELATION TO THE DIMENSIONS OF THE OPEN STYLE BYPASS SWITCH ARE CRITICAL TO THE ALIGNMENT OF THE MANUAL BYPASS HANDLE.
 2. SEE SHEET 3 FOR RECOMMENDED DOOR MODIFICATIONS AND CONTROL PANEL DIMENSIONS.
 3. FOR 2-POLE SWITCHES, OMIT CENTER POLE ON 3-POLE SWITCH.
 4. OPEN TYPE BYPASS SWITCH IS SUPPLIED WITH 6 FT. (1.8m) LONG HARNESS BETWEEN ATS POWER AND CONTROL PANELS. HARNESS EXITS FROM TOP RIGHT OF SWITCH FRAME.
 5. RUN ALL CABLES IN REAR OF ENCLOSURE. NO CABLE ENTRY IN FRONT OF ENCLOSURE.
 6. ATS DRAWS OUT TOWARD FRONT OF ENCLOSURE.
 7. MAINTAIN ELECTRICAL CLEARANCE OF 1(25mm) MINIMUM BETWEEN LIVE METAL PARTS AND GROUNDED METAL.
 8. CUSTOMERS CUBICLE MUST INCLUDE A TWO DOOR FRONT THE TOP DOOR (WHICH ALLOWS ACCESS TO THE BYPASS UNIT) CANNOT BE OPENED UNTIL BOTTOM DOOR IS OPENED.
 9. LUGS MAY BE ORIENTED TO ACCEPT CABLING FROM TOP AS WELL AS BOTTOM ENTRY.
 10. ALL DIMENSIONS ARE FOR REFERENCE ONLY AND SHOWN IN INCHES(MILLIMETERS).



| | B | C | D |
|-----------|---------------|--------------|---------------|
| 2/3-POLES | 47 1/2 (1206) | 33 1/2 (851) | 40 1/2 (1029) |
| 4-POLES | 54 (1372) | 40 (1016) | 47 (1194) |

| SIGNATURES | | DATE |
|--|----|------------------------------------|
| MODEL | JP | 1/27/98 |
| DETAIL | | |
| CHECKED | | |
| ENGRG | SB | 1/27/98 |
| MFG | | |
| QUALITY | | |
| ISSUED | | |
| DRAWING FILE: 50c-2031.dwg | | |
| MODEL / ASSEMBLY FILE: ZBTS(D/CT) 4000 AMP | | |
| # CTQs | ⊖ | CRITICAL TO QUALITY CHARACTERISTIC |

ABB

TITLE
BYPASS SWITCH
REAR LUGS

FIRST MADE FOR: ZBTS(D/CT) 4000 AMP

| | | |
|------------|--------------|----------|
| SIZE | CAGE CODE | DWG NO |
| B | | 50C-2031 |
| SCALE: N/A | SHEET 2 OF 3 | |

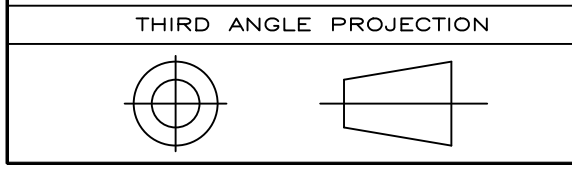
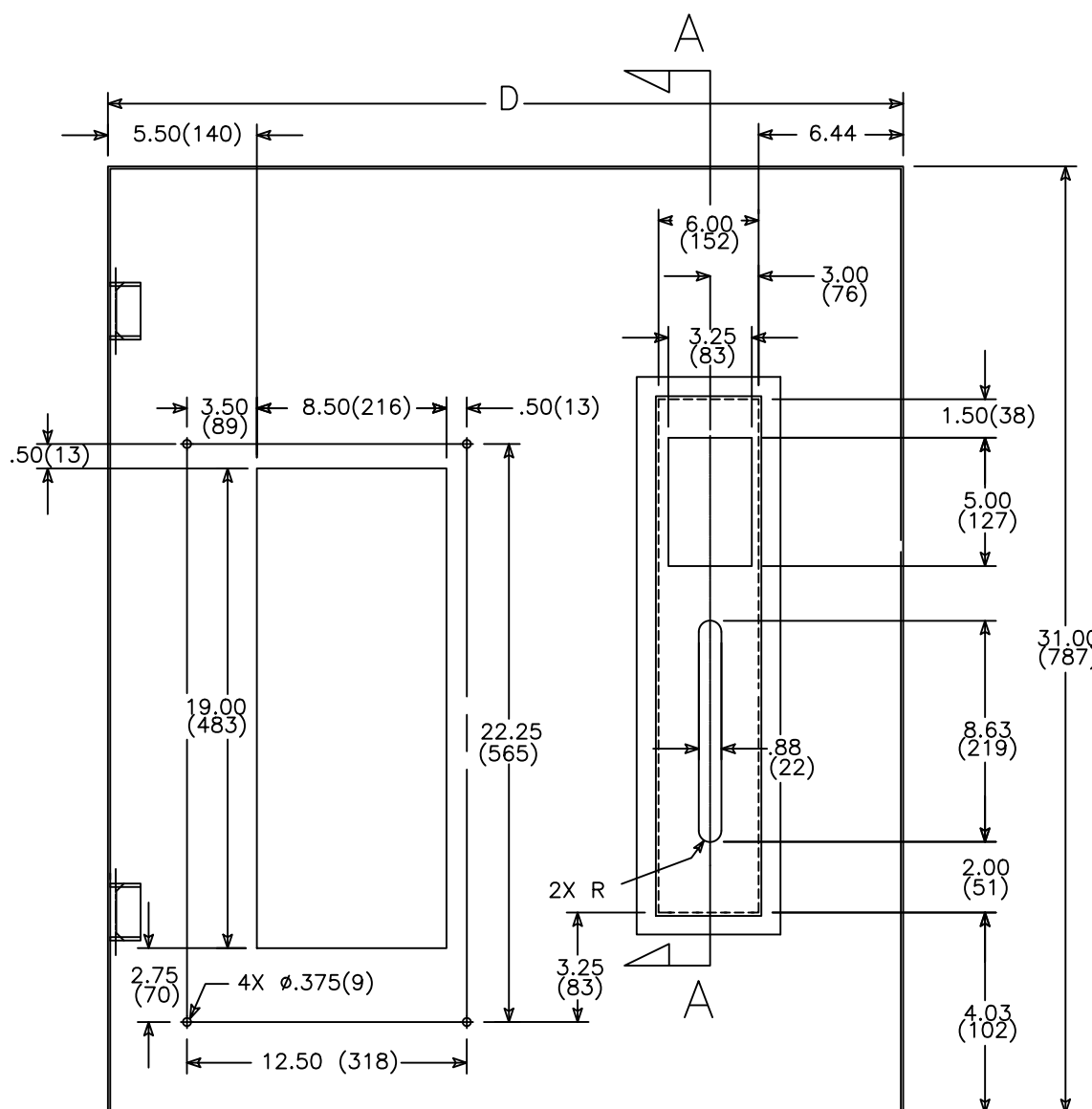


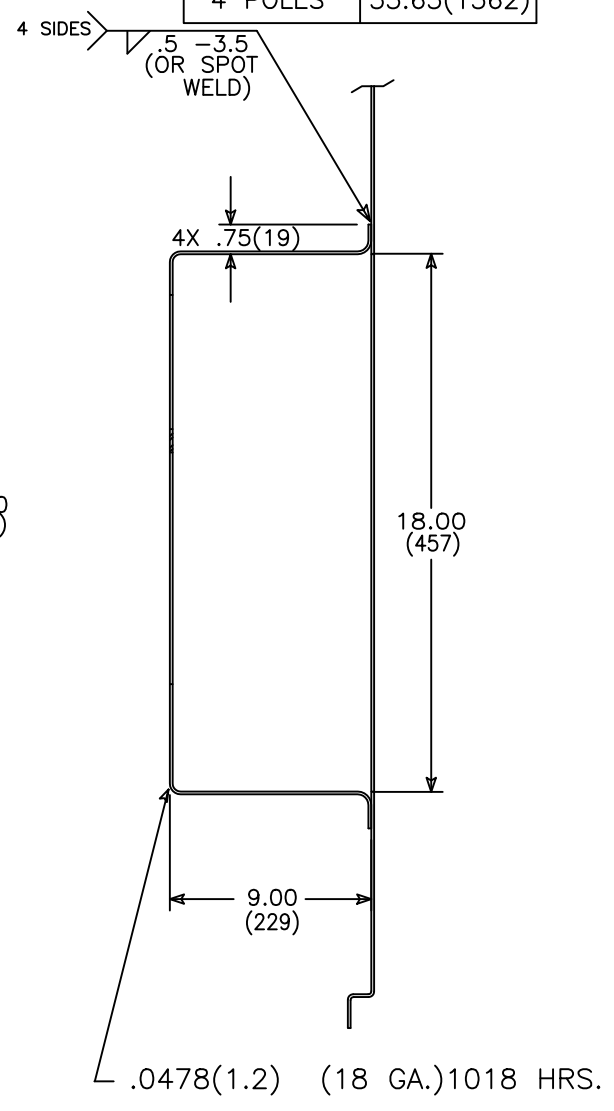
ABB PROPRIETARY AND CONFIDENTIAL INFORMATION

The information contained in the document has to be kept strictly confidential. Any unauthorized use, reproduction, distribution or disclosure to third parties is strictly forbidden.
ABB reserves all rights regarding intellectual Property Rights.
Copyright 2018 ABB. All rights reserved

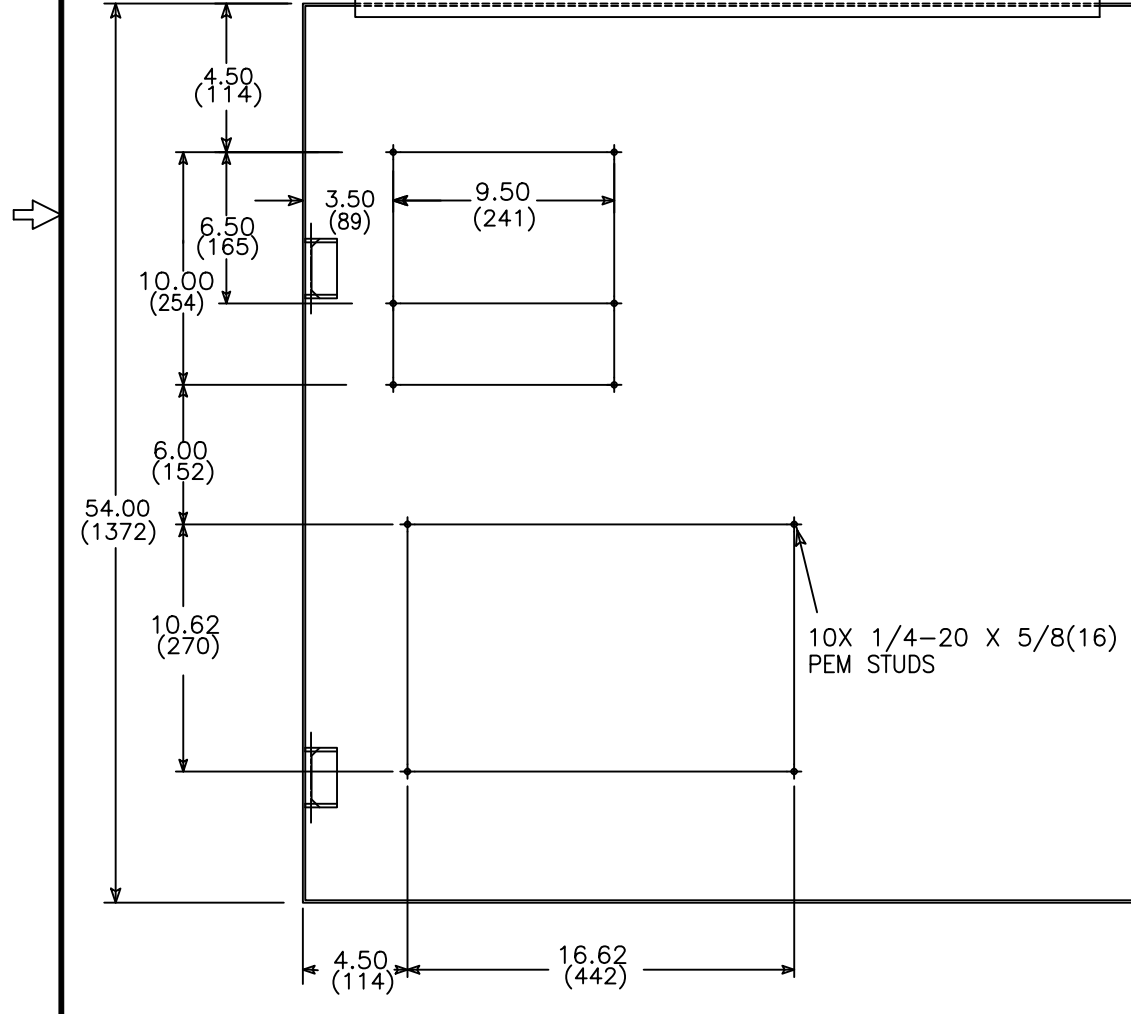
AutoCad Generated



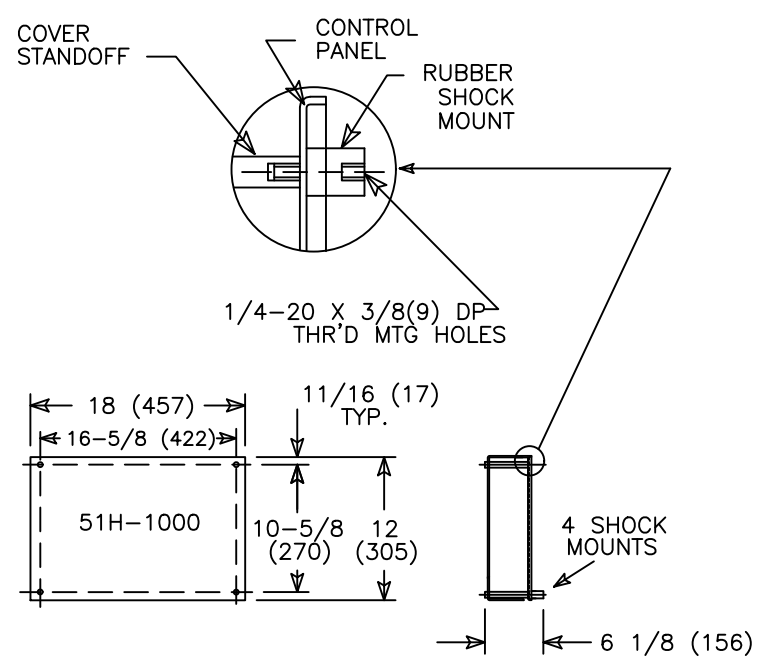
| NO. POLES | D |
|-----------|-------------|
| 2/3 POLES | 47.12(1196) |
| 4 POLES | 53.63(1362) |



SECT. A-A



DOOR DETAIL (INSIDE VIEW)



CONTROL PANEL

ALL DIMENSIONS ARE FOR REFERENCE ONLY AND SHOWN IN INCHES (MILLIMETERS).

ABB PROPRIETARY AND CONFIDENTIAL INFORMATION
 The information contained in the document has to be kept strictly confidential. Any unauthorized use, reproduction, distribution or disclosure to third parties is strictly forbidden.
 ABB reserves all rights regarding intellectual Property Rights.
 Copyright 2018 ABB. All rights reserved

THIRD ANGLE PROJECTION

| SIGNATURES | | DATE |
|--|----|------------------------------------|
| MODEL | JP | 2/12/98 |
| DETAIL | | |
| CHECKED | | |
| ENGRG | SB | 2/12/98 |
| MFG | | |
| QUALITY | | |
| ISSUED | | |
| DRAWING FILE: 50c-2031.dwg | | |
| MODEL / ASSEMBLY FILE: ZBTS(D/CT) 4000 AMP | | |
| # CTQs | ⊖ | CRITICAL TO QUALITY CHARACTERISTIC |

| | | |
|--|--------------|--------------------|
| ABB | | |
| TITLE BYPASS SWITCH DOOR MODIFICATIONS | | |
| FIRST MADE FOR: ZBTS(D/CT) 4000 AMP | | |
| SIZE B | CAGE CODE | DWG NO 50C-2031 |
| SCALE: N/A | SHEET 3 OF 3 | |

