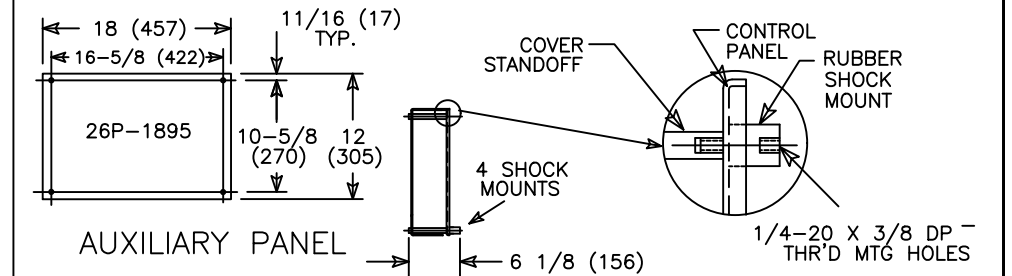
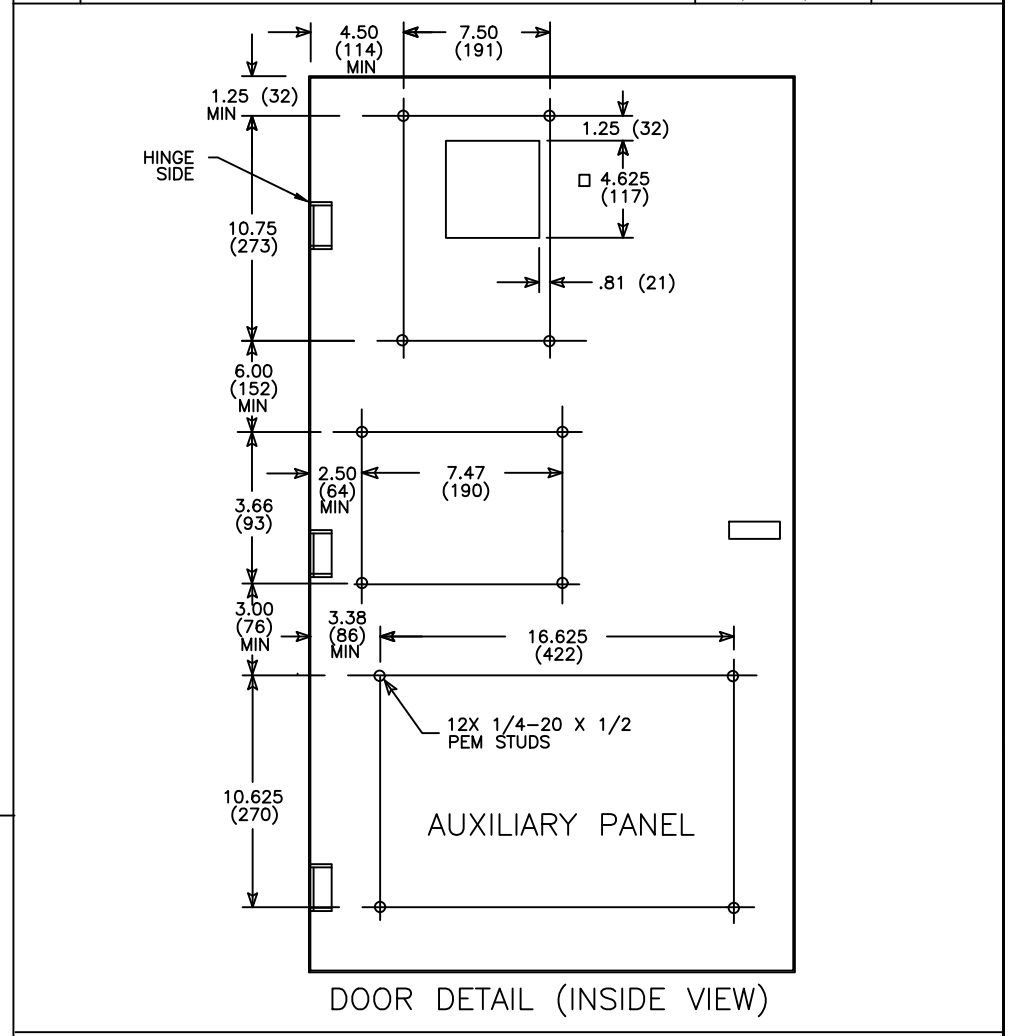
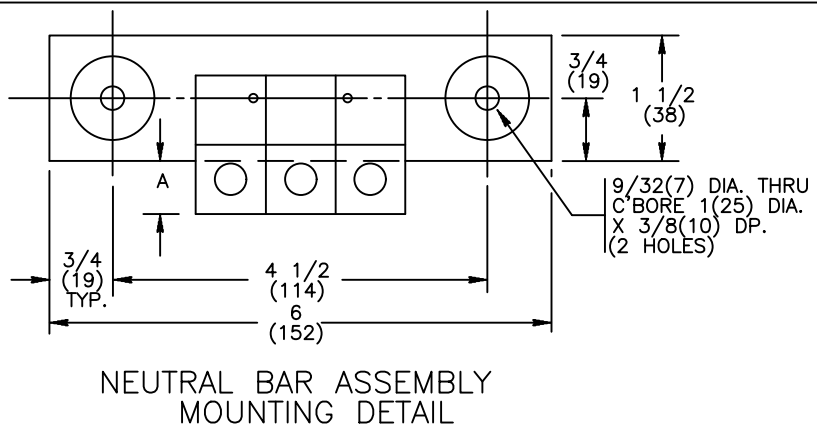


REVISIONS			
REV.	DESCRIPTION	DATE	APPROVED
2	C076901 UPDATED REBRANDING	09/20/19	AR MAS



- NOTES:**
- CONSTRUCTION PER UL 1008 STANDARD.
 - 4-POLE SWITCH SHOWN. FOR 2 OR 3 POLE OMIT RIGHT HAND POLES AS SHOWN.
 - OPEN TYPE SWITCH SUPPLIED WITH 6 FT. (1.8m) LONG HARNESS BETWEEN POWER AND CONTROL PANELS. HARNESS EXITS FROM LOWER RIGHT CORNER OF POWER PANEL.
 - DO NOT RUN CABLES IN FRONT OF SWITCH. RUN ALL CABLES ON SIDES.
 - MAINTAIN ELECTRICAL CLEARANCE OF 1(25mm) MIN. BETWEEN LIVE METAL PARTS AND GROUNDED METAL.
 - DIMENSIONS ARE FOR REFERENCE ONLY AND SHOWN IN INCHES(MILLIMETERS).
 - SWITCH SUPPLIED WITH STANDARD MECHANICAL LUG, RATED FOR AL&CU CABLES.
 - REFER LUG TORQUE LABEL FOR TORQUE INFORMATION.
 - REFER NEMA-1 CABINET DRAWING FOR RECOMMENDED CABINET SIZE.
 - PANEL SHOULD BE PROPERLY GROUNDED.



	A	LUG	QTY.
40-80 AMP	-	#14-1/0 (2-53mm ²)	3
100-150 AMP	1 (25)	#6-350 MCM (13-177mm ²)	3

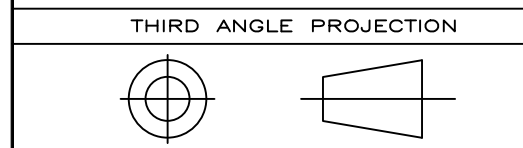


ABB PROPRIETARY AND CONFIDENTIAL INFORMATION

The information contained in the document has to be kept strictly confidential. Any unauthorized use, reproduction, distribution or disclosure to third parties is strictly forbidden. ABB reserves all rights regarding intellectual Property Rights. Copyright 2018 ABB. All rights reserved

SIGNATURES		DATE	TITLE	
MODEL	GG	08/24/04	OPEN STYLE ATS FOR 40-150A ATS	
DETAIL				
CHECKED				
ENGRG				
MFG				
QUALITY				
ISSUED			FIRST MADE FOR: ZTS (WITHOUT ENCLOSURE)	
DRAWING FILE:	50c-2032.dwg	SIZE	B	DWG NO
MODEL / ASSEMBLY FILE:	ZTS(2/3) 40-150 AMP 2,3,4P	CAGE CODE		50C-2032
# CTQs	⊖ CRITICAL TO QUALITY CHARACTERISTIC	SCALE:	-	SHEET 1 OF 1



AutoCad Generated