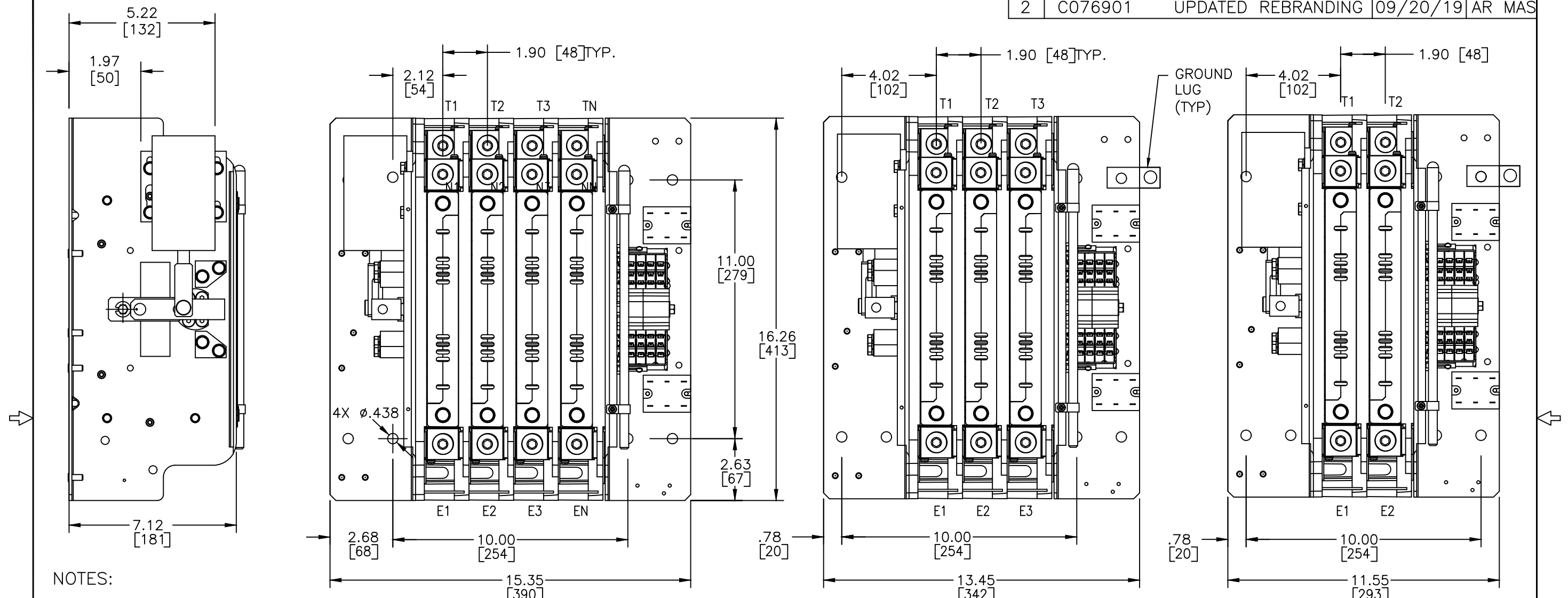


REVISIONS			
REV.	DESCRIPTION	DATE	APPROVED
2	C076901	09/20/19	AR MAS



NOTES:

1. CONSTRUCTION PER UL 1008 STANDARD.
2. OPEN TYPE SWITCH SUPPLIED WITH 6 FT. (1.8m) LONG HARNESS BETWEEN POWER AND CONTROL PANELS. HARNESS EXITS FROM LOWER RIGHT CORNER OF POWER PANEL.
3. DO NOT RUN CABLES IN FRONT OF SWITCH. RUN ALL CABLES ON SIDES.
4. MAINTAIN ELECTRICAL CLEARANCE OF 1(25mm) MIN. BETWEEN LIVE METAL PARTS AND GROUNDED METAL.
5. DIMENSIONS ARE FOR REFERENCE ONLY AND SHOWN IN INCHES(MILLIMETERS).
6. SWITCH SUPPLIED WITH STANDARD MECHANICAL LUG, RATED FOR AL&CU CABLES.
7. REFER LUG TORQUE LABEL FOR TORQUE INFORMATION.
8. REFER NEMA-1 CABINET DRAWING FOR RECOMMENDED CABINET SIZE.

4-POLE

3-POLE

2-POLE

		LUG SIZE
225 TO 400A	(QTY 1)	#4- 600 MCM (21-304mm ²)
	(QTY 2)	1/0- 250 MCM (54-127mm ²)

SIGNATURES	DATE
MODEL GG	08/24/04
DETAIL	
CHECKED	
ENGRG MF	
MFG	
QUALITY	
ISSUED	

ABB		
OPEN STYLE ATS FOR 225-400A ATS		
FIRST MADE FOR: ZTS 225-400 AMP (WITHOUT ENCLOSURE)		
DRAWING FILE: 50c-2033.dwg	SIZE B	DWG NO 50C-2033
MODEL / ASSEMBLY FILE: ZTS4 225-400 AMP	CAGE CODE	
# CTQs	SCALE: N/A	SHEET 1 OF 2

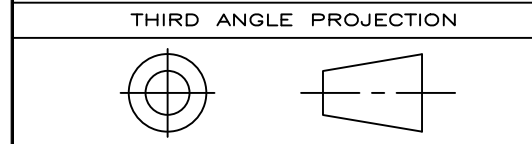
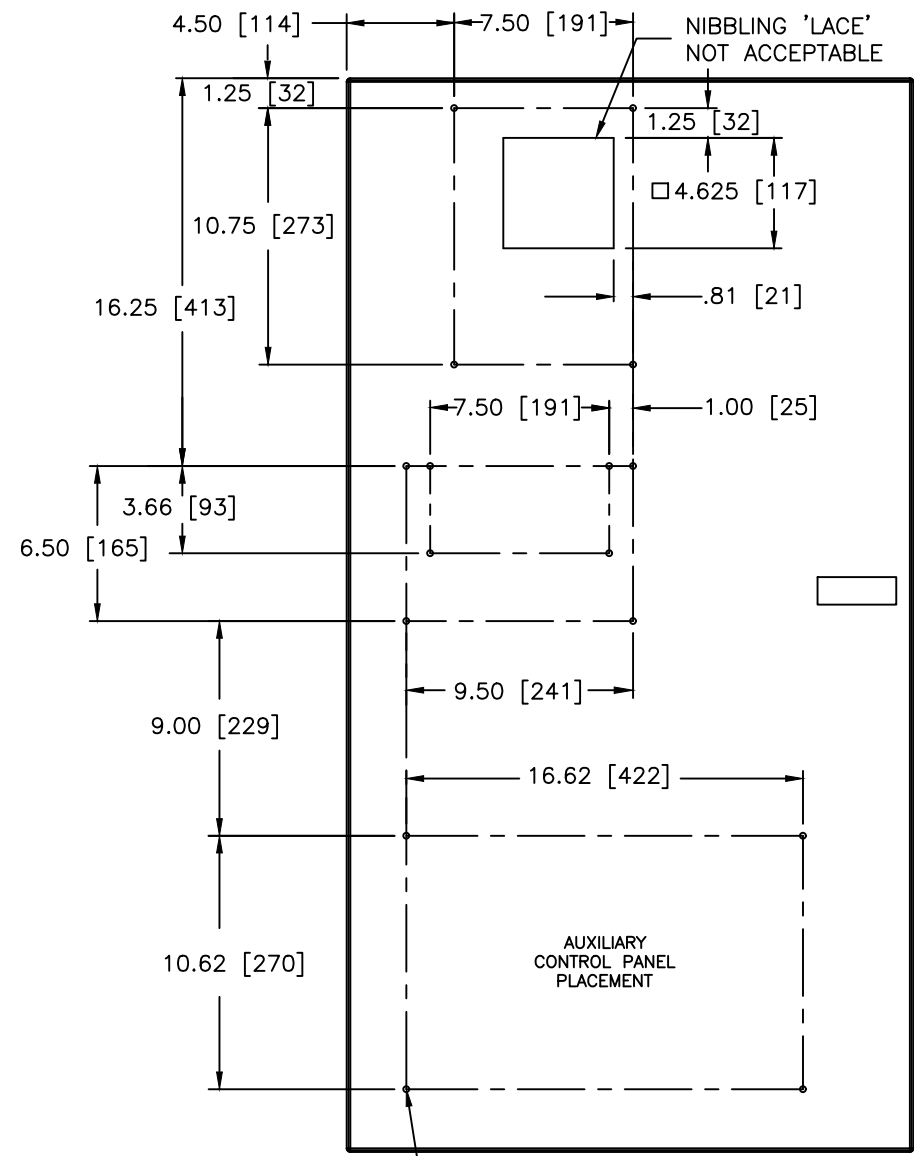


ABB PROPRIETARY AND CONFIDENTIAL INFORMATION
 The information contained in the document has to be kept strictly confidential.
 Any unauthorized use, reproduction, distribution or disclosure to third parties is strictly forbidden.
 ABB reserves all rights regarding intellectual Property Rights.
 Copyright 2018 ABB. All rights reserved

AutoCad Generated

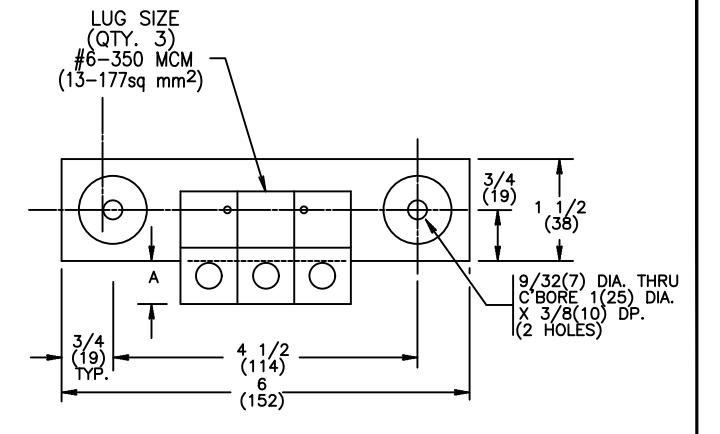
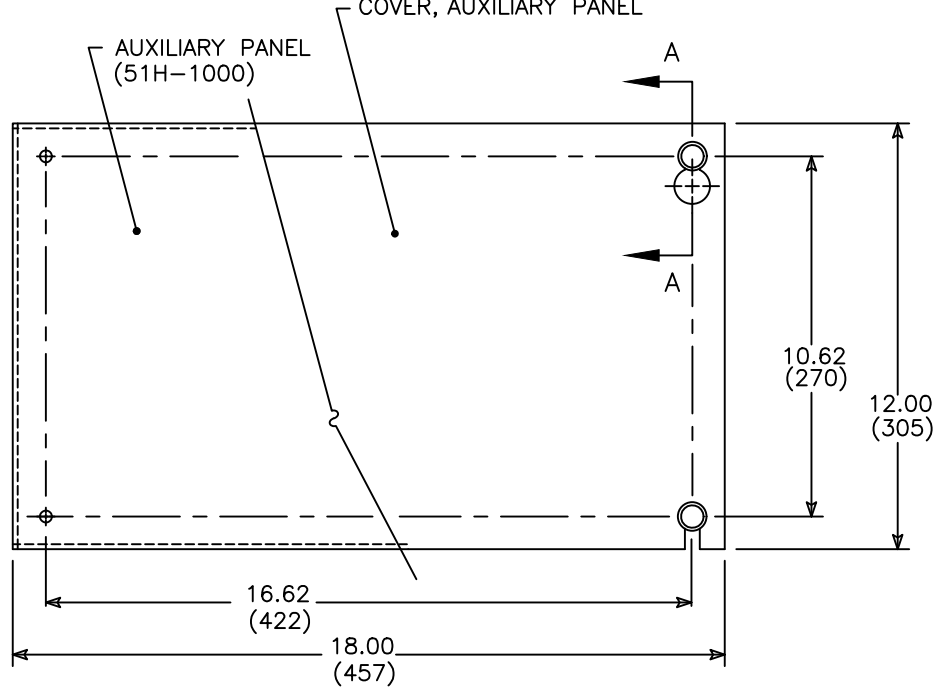
CRITICAL TO QUALITY CHARACTERISTIC

DOOR DETAIL (INSIDE VIEW)

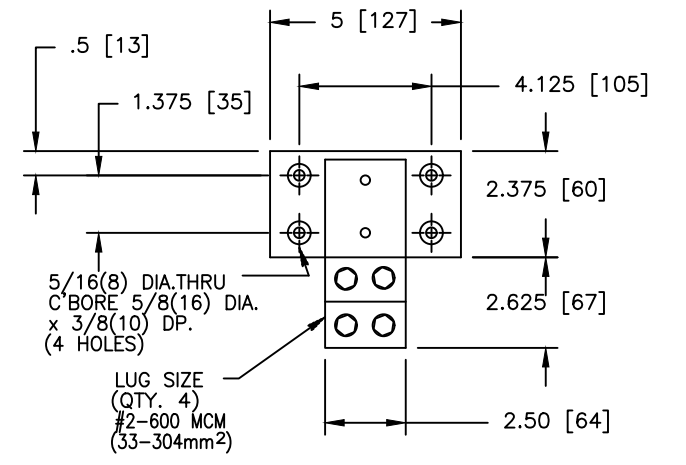


12X 1/4-20 X .50 WELDED STUDS
1/4-20 X .63 PEM STUDS
(TYPE FH ON INSIDE OF DOOR)

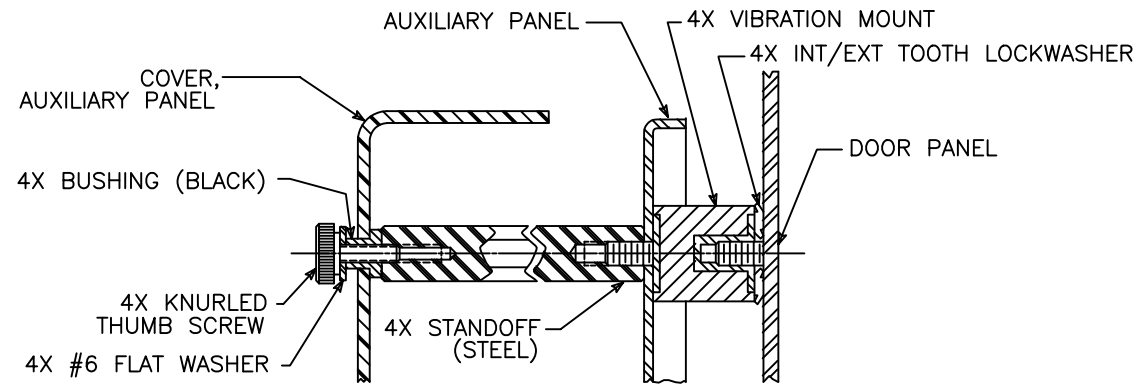
AUXILIARY CONTROL PANEL



225-260A- NEUTRAL BAR ASSEMBLY



400A - NEUTRAL BAR ASSEMBLY



SECTION A-A

NOTES:

1. REFER TO SHEET 1 FOR ALL NOTES.

SIGNATURES		DATE
MODEL	GG	08/24/04
DETAIL		
CHECKED		
ENGRG	MF	
MFG		
QUALITY		
ISSUED		
DRAWING FILE:		50c-2033.dwg
MODEL / ASSEMBLY FILE:		ZTS4 225-400 AMP
# CTQs	⊖	CRITICAL TO QUALITY CHARACTERISTIC

ABB		
TITLE OPEN STYLE ATS FOR 225-400A ATS		
FIRST MADE FOR: ZTS4 225-400 AMP (WITHOUT ENCLOSURE)		
SIZE	CAGE CODE	DWG NO
B		50C-2033
SCALE:	N/A	SHEET 2 OF 2

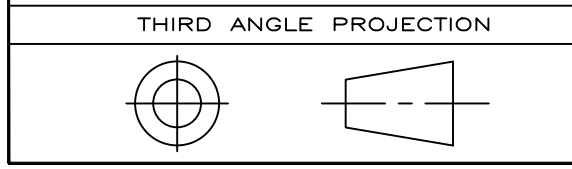


ABB PROPRIETARY AND CONFIDENTIAL INFORMATION
The information contained in the document has to be kept strictly confidential.
Any unauthorized use, reproduction, distribution or disclosure to third parties is strictly forbidden.
ABB reserves all rights regarding intellectual Property Rights.
Copyright 2018 ABB. All rights reserved

AutoCad Generated