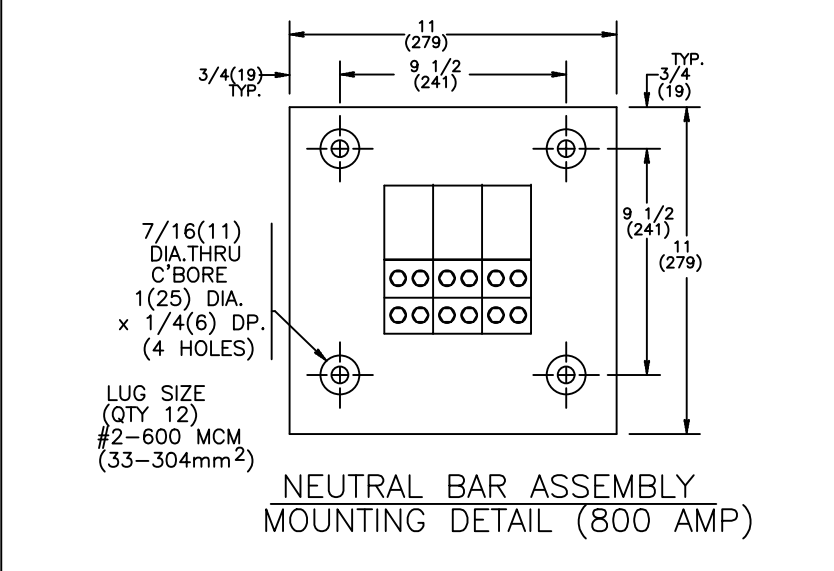
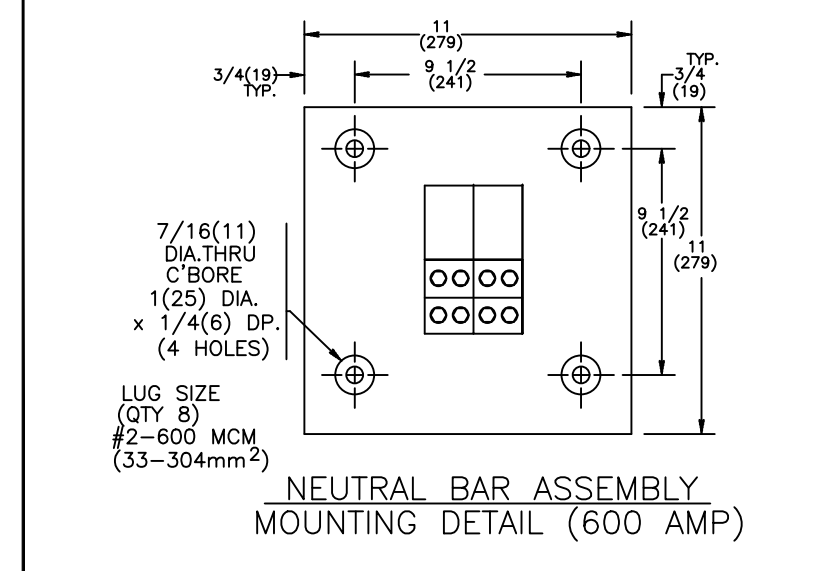
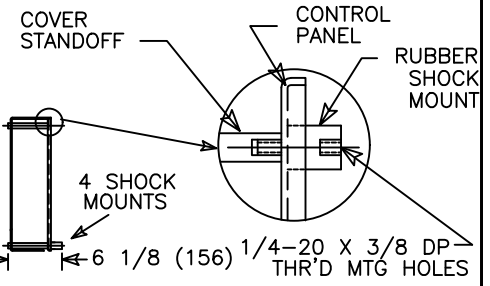
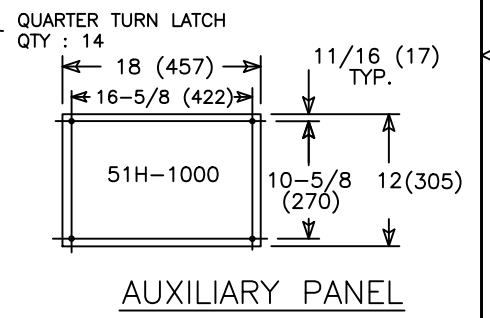
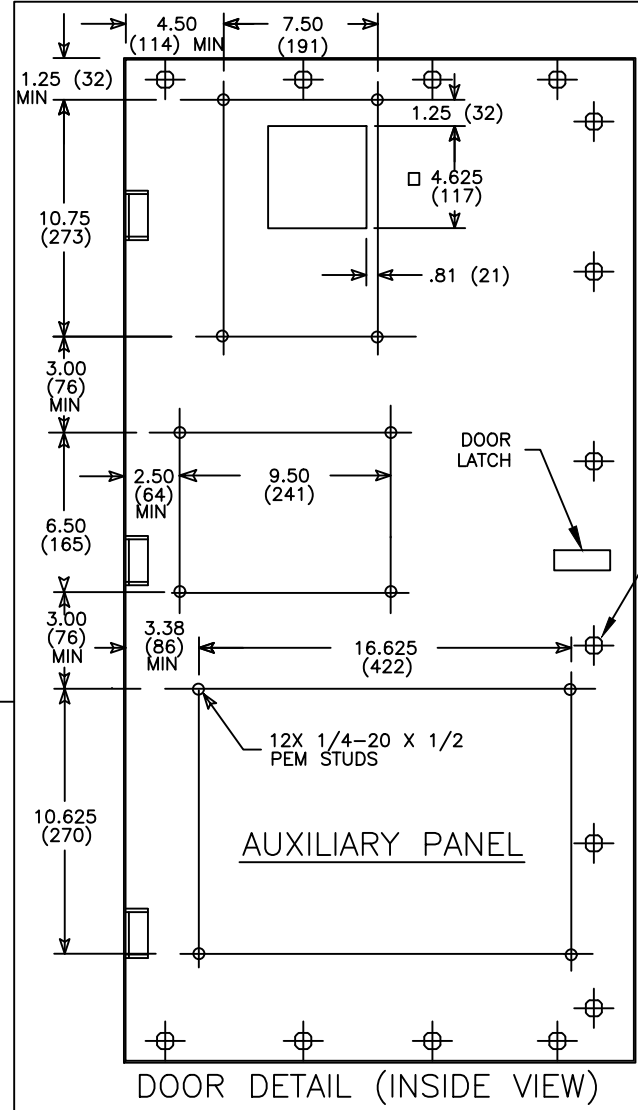


REVISIONS			
REV.	DESCRIPTION	DATE	APPROVED
2	C076901 UPDATED REBRANDING	09/20/19	AR MAS

QTY.	LUG SIZES	NOTE
600A 2	#2 - 600 MCM (33-304 MM ²)	DRAWING SHOWN WITH 600 AMP LUG CONFIGURATION FOR REFERENCE ONLY.
800A 4	#2 - 600 MCM (33-304 MM ²)	

- NOTES:
- CONSTRUCTION PER UL 1008 STANDARD.
 - FOR 2-POLE SWITCHES, OMIT CENTER POLE.
 - OPEN TYPE SWITCH SUPPLIED WITH 6 FT. (1,8m) LONG HARNESS BETWEEN POWER AND CONTROL PANELS. HARNESS EXITS FROM LOWER RIGHT CORNER OF POWER PANEL.
 - DO NOT RUN CABLES IN FRONT OF SWITCH. RUN ALL CABLES ON SIDES.
 - MAINTAIN ELECTRICAL CLEARANCE OF 1(25mm) MIN. BETWEEN LIVE METAL PARTS AND GROUNDED METAL.
 - DIMENSIONS FOR 3-POLE AND 4-POLE SWITCHES ARE IDENTICAL EXCEPT AS NOTED. ALL DIMENSIONS ARE FOR REFERENCE ONLY AND SHOWN IN INCHES(MILLIMETERS).
 - SWITCH SUPPLIED WITH STANDARD MECHANICAL LUG, RATED FOR AL&CU CABLES.
 - REFER LUG TORQUE LABEL FOR TORQUE INFORMATION.
 - REFER NEMA-1 CABINET DRAWING FOR RECOMMENDED CABINET SIZE.



SIGNATURES	DATE
MODEL GG	08/24/04
DETAIL	
CHECKED	
ENGRG MF	
MFG	
QUALITY	
ISSUED	
DRAWING FILE: 50c-2034.dwg	FIRST MADE FOR: ZTS 600-800 AMP (FRONT CONNECT)
MODEL / ASSEMBLY FILE: ZTS2 600-800 AMP 2, 3, 4 POLES	SIZE CAGE CODE DWG NO
# CTQs	B

ABB	
TITLE OPEN STYLE -FRONT CONNECT 600-800A ATS	
SCALE: N/A	SHEET 1 OF 2

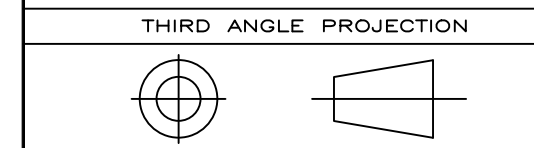
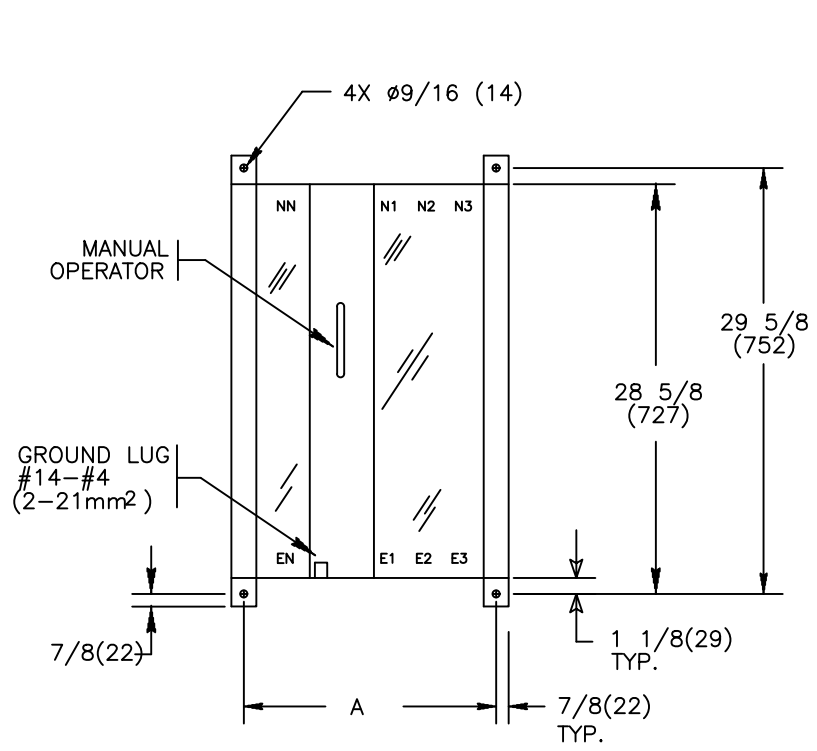


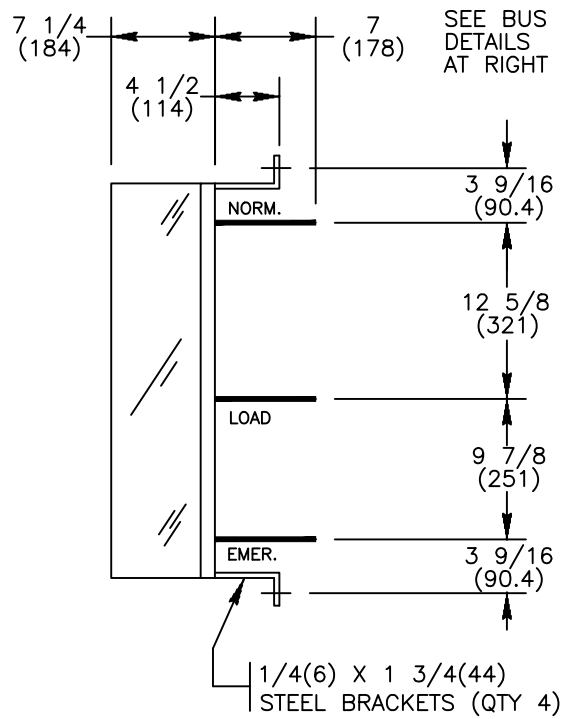
ABB PROPRIETARY AND CONFIDENTIAL INFORMATION
 The information contained in the document has to be kept strictly confidential.
 Any unauthorized use, reproduction, distribution or disclosure to third parties is strictly forbidden.
 ABB reserves all rights regarding intellectual Property Rights.
 Copyright 2018 ABB. All rights reserved

AutoCad Generated

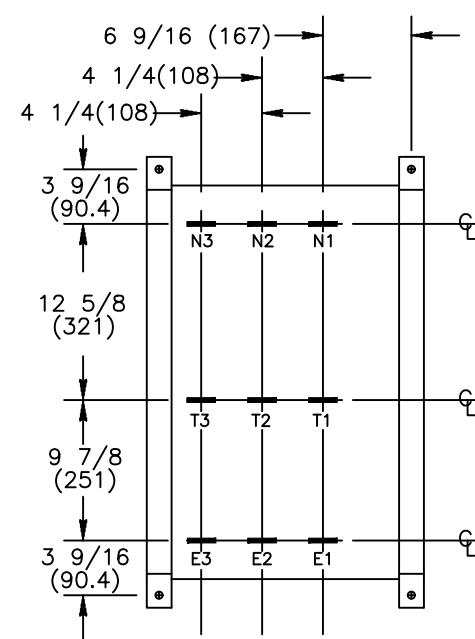


FRONT VIEW

	A
2/3-POLE	17 5/8 (448)
4-POLE	23 3/8 (594)

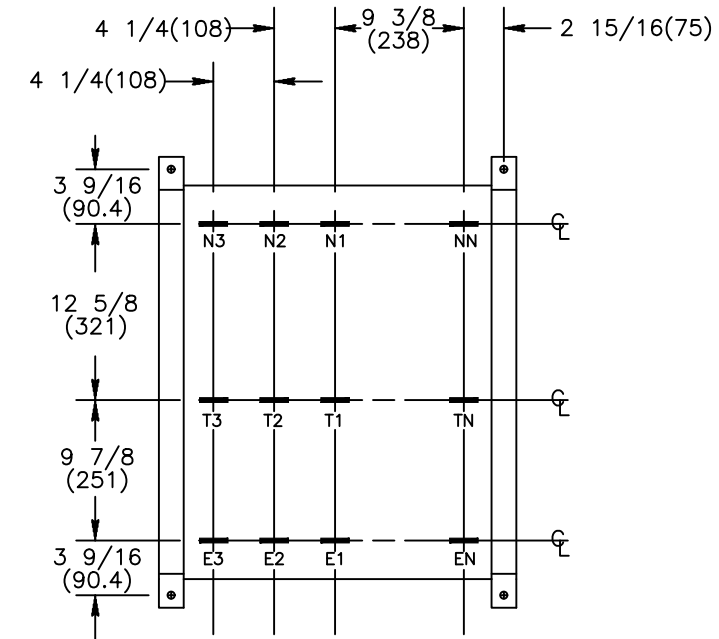


RIGHT SIDE VIEW



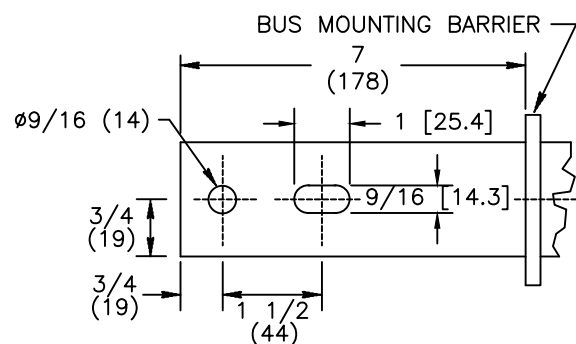
2/3-POLE SWITCH

BUS DETAILS (REAR VIEW)



4-POLE SWITCH

BUS DETAILS (REAR VIEW)



BUS DETAIL

3/8(10) X 1 1/2(38) BAR

NOTES:

1. CONSTRUCTION PER UL 1008 STANDARD.
2. FOR 2-POLE SWITCHES, OMIT CENTER POLE.
3. OPEN TYPE SWITCH SUPPLIED WITH 6 FT. (1,8m) LONG HARNESS BETWEEN POWER AND CONTROL PANELS. HARNESS EXITS FROM LOWER RIGHT CORNER OF POWER PANEL.
4. DO NOT RUN CABLES IN FRONT OF SWITCH. RUN ALL CABLES ON SIDES.
5. MAINTAIN ELECTRICAL CLEARANCE OF 1(25mm) MIN. BETWEEN LIVE METAL PARTS AND GROUNDED METAL.
6. DIMENSIONS FOR 3-POLE AND 4-POLE SWITCHES ARE IDENTICAL EXCEPT AS NOTED. ALL DIMENSIONS ARE FOR REFERENCE ONLY AND SHOWN IN INCHES(MILLIMETERS).
7. SEE "DOOR DETAIL" & "CONTROL PANEL" DIMENSIONS ON SHEET 1.

SIGNATURES		DATE
MODEL	GG	08/24/04
DETAIL		
CHECKED		
ENGRG	MF	
MFG		
QUALITY		
ISSUED		
DRAWING FILE:		50c-2034.dwg
MODEL / ASSEMBLY FILE:	ZTS2 600-800 AMP 2, 3, 4 POLES	
# CTQs	⊖	CRITICAL TO QUALITY CHARACTERISTIC

TITLE		
ABB		
OPEN TYPE ATS 600-800A - REAR BUS		
FIRST MADE FOR: ZTS(D/CT) 600-800A (REAR BUS)		
SIZE	CAGE CODE	DWG NO
B		50C-2034
SCALE:	N/A	SHEET 2 OF 2

THIRD ANGLE PROJECTION

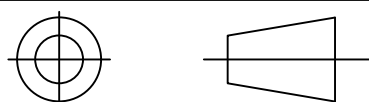


ABB PROPRIETARY AND CONFIDENTIAL INFORMATION

The information contained in the document has to be kept strictly confidential. Any unauthorized use, reproduction, distribution or disclosure to third parties is strictly forbidden. ABB reserves all rights regarding intellectual Property Rights. Copyright 2018 ABB. All rights reserved

AutoCad Generated