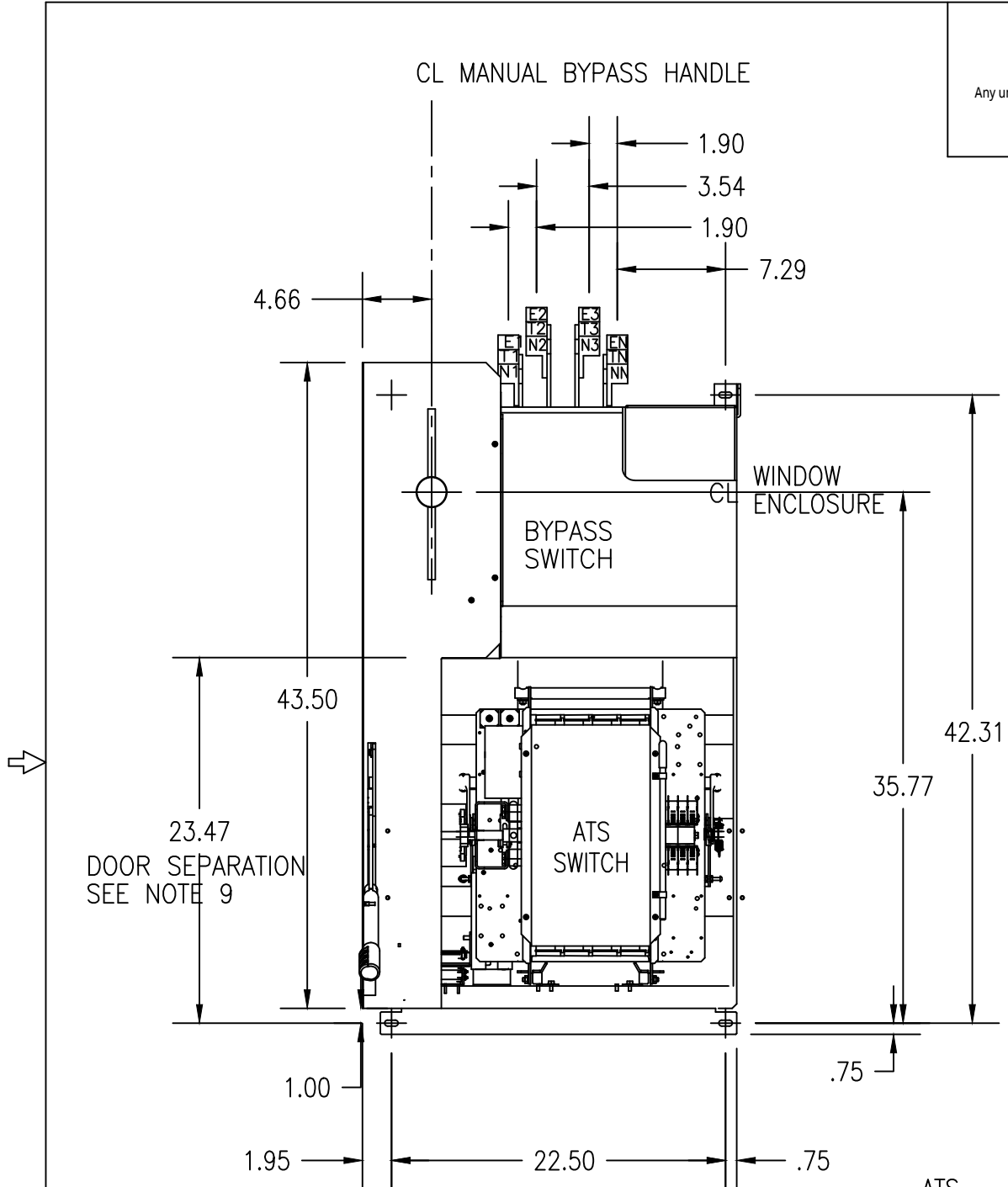


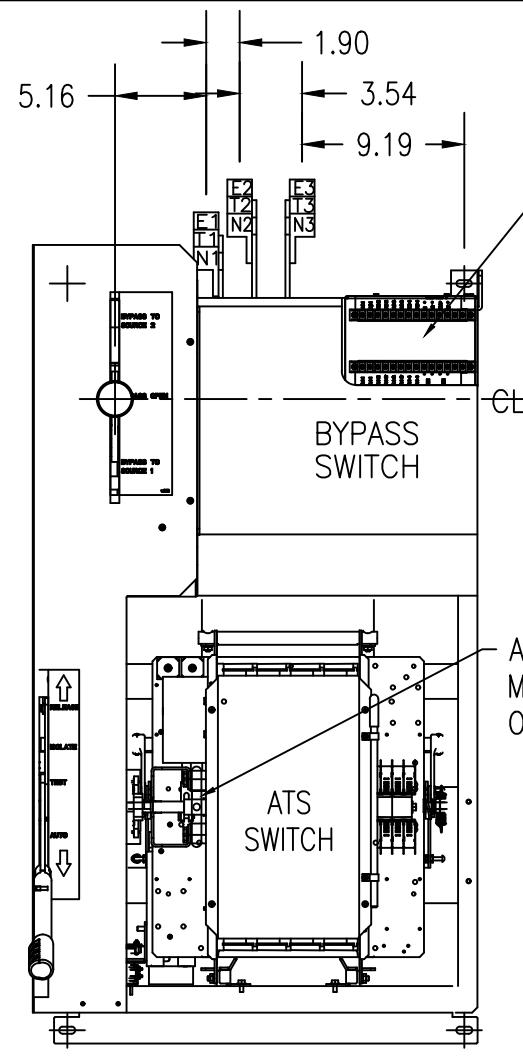


ABB PROPRIETARY AND CONFIDENTIAL INFORMATION  
 The information contained in the document has to be kept strictly confidential.  
 Any unauthorized use, reproduction, distribution or disclosure to third parties is strictly forbidden.  
 ABB reserves all rights regarding intellectual Property Rights.  
 Copyright 2018 ABB. All rights reserved

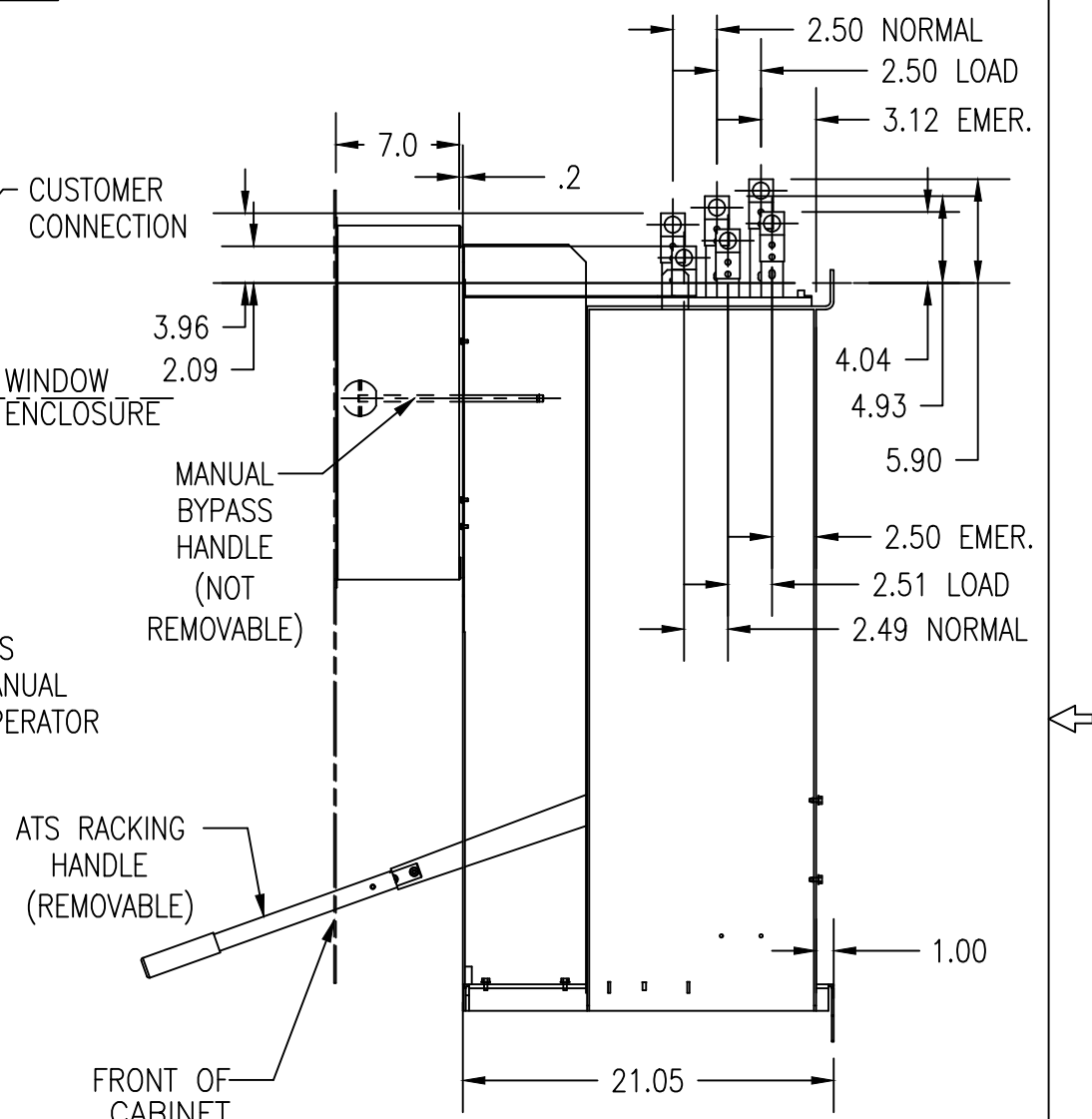
REVISIONS			
REV.	DESCRIPTION	DATE	APPROVED
2	C076901 UPDATEDREBRANDING	10/15/19	GK MAS



FRONT VIEW  
(4 POLE)

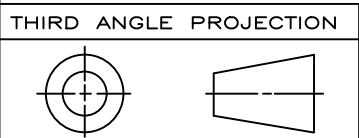


FRONT VIEW  
(3 POLE)



RIGHT SIDE VIEW

\* REFER PAGE 2 FOR APPLICABLE NOTES



LUG SIZE		
100 TO 225A	(QTY 1)	#6- 250 MCM (16-150mm <sup>2</sup> )
260 TO 400A	(QTY 1)	#4- 600 MCM (33-304mm <sup>2</sup> )

SIGNATURES	DATE
MODEL	.
DETAIL	.
CHECKED	.
ENGRG	.
MFG	.
QUALITY	.
ISSUED	.
SOLID MODEL: 50C-2036	

**ABB**

TITLE OPEN TYPE BYPASS ATS LAYOUT  
 ZBTS(D) 100-400 AMP -2,3,4 POLES  
 ZBTS(D) 100-400 AMP -2,3,4 POLES

SIZE DRAWING B

50C-2036

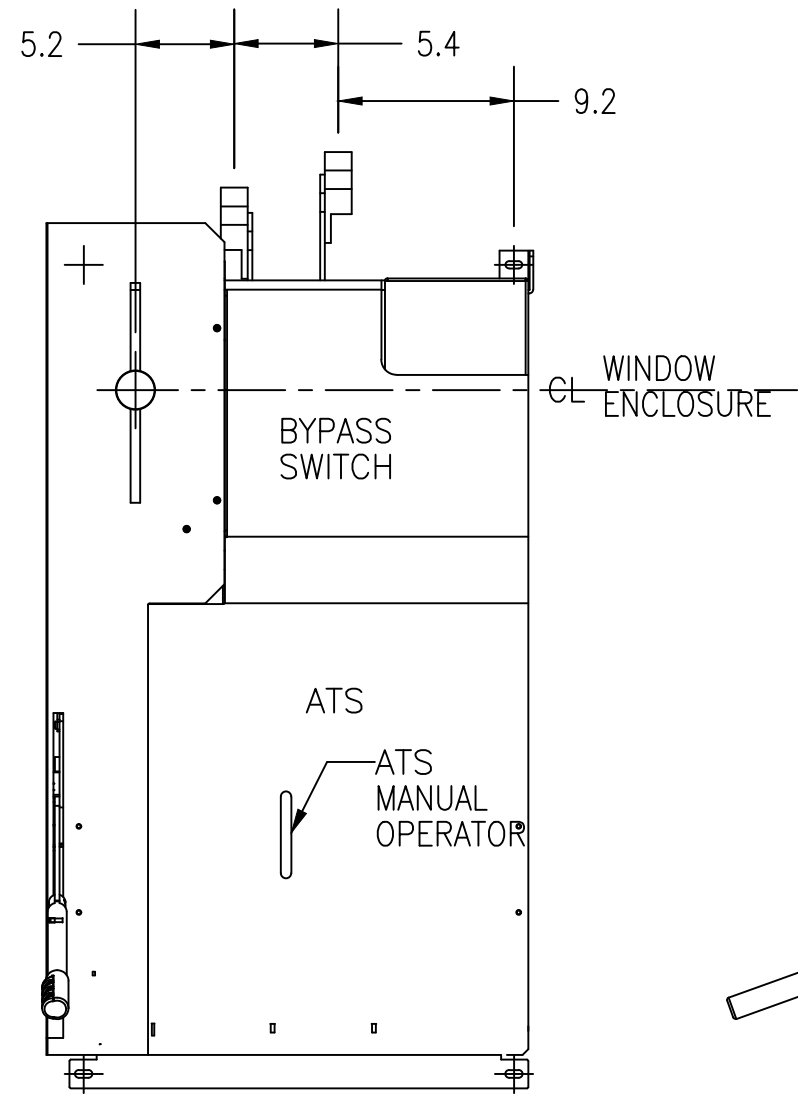
REV 2

SCALE: 1:10 REF. No: . SHEET 1 of 3

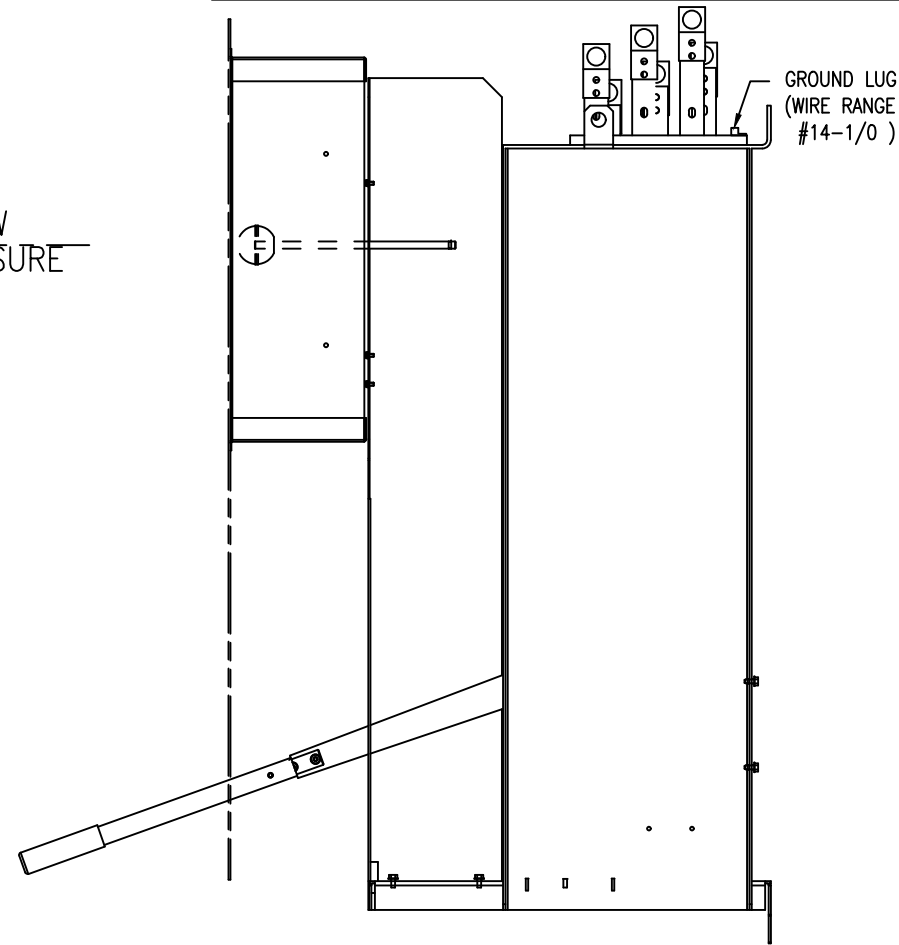


ABB PROPRIETARY AND CONFIDENTIAL INFORMATION

The information contained in the document has to be kept strictly confidential. Any unauthorized use, reproduction, distribution or disclosure to third parties is strictly forbidden. ABB reserves all rights regarding intellectual Property Rights. Copyright 2018 ABB. All rights reserved



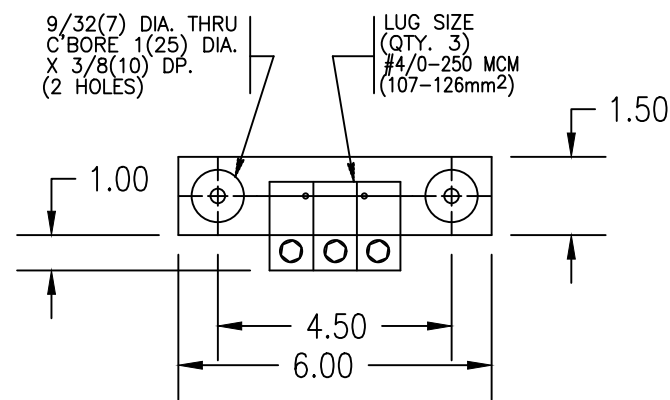
2 POLE  
FRONT VIEW



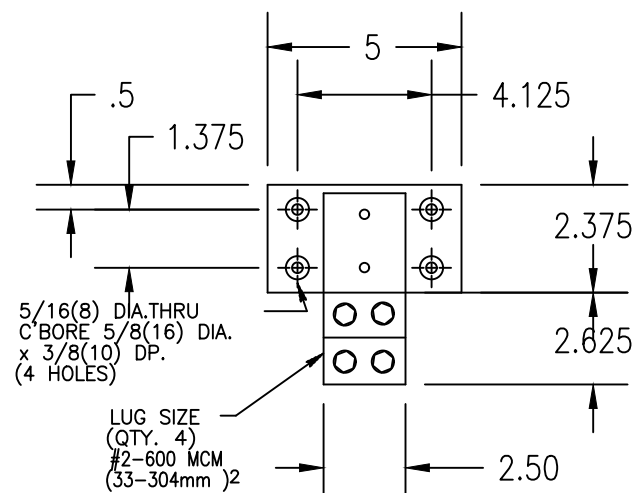
RIGHT SIDE VIEW  
(REFER SHEET 1 FOR DETAILS)

NOTES:

1. CONSTRUCTION PER UL 1008 STANDARD.
2. THE LOCATION OF THE WINDOW ENCLOSURE WITH RELATION TO THE DIMENSIONS OF THE OPEN STYLE BYPASS SWITCH ARE CRITICAL TO THE ALIGNMENT OF THE MANUAL BYPASS HANDLE.
3. SEE SHEET 3 FOR RECOMMENDED DOOR MODIFICATIONS AND CONTROL PANEL DIMENSIONS.
4. FOR 2-POLE SWITCHES, OMIT THE SECOND LEFT POLE. (FRONT VIEW)
5. OPEN TYPE BYPASS SWITCH IS SUPPLIED WITH 6 FT. (1.8m) LONG HARNESS BETWEEN ATS POWER AND CONTROL PANELS. HARNESS EXITS FROM CENTER RIGHT OF SWITCH FRAME.
6. DO NOT RUN CABLES IN FRONT OF SWITCH. RUN ALL CABLES ON SIDES.
7. ATS DRAWS OUT TOWARD FRONT OF ENCLOSURE.
8. MAINTAIN ELECTRICAL CLEARANCE OF 1" (25mm) MINIMUM BETWEEN LIVE METAL PARTS AND GROUNDED METAL.
9. CUSTOMERS CUBICLE MUST INCLUDE A TWO DOOR FRONT. THE TOP DOOR (WHICH ALLOWS ACCESS TO THE BYPASS UNIT) CANNOT BE OPENED UNTIL BOTTOM DOOR IS OPENED.
10. REFER LUG TORQUE LABEL FOR TORQUE INFORMATION.
11. REFER NEMA-1 CABINET DRAWING FOR RECOMMENDED CABINET SIZE.
12. MECHANICAL LUGS ARE OFFERED AS STANDARD ON THE UNIT. COMPRESSION LUGS ARE OPTIONAL.
13. ALL DIMENSIONS ARE FOR REFERENCE ONLY AND SHOWN IN INCHES(MILLIMETERS).

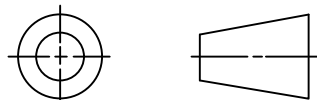


NEUTRAL BAR ASSEMBLY 100-260 AMPS



NEUTRAL BAR ASSEMBLY 400 AMPS

THIRD ANGLE PROJECTION

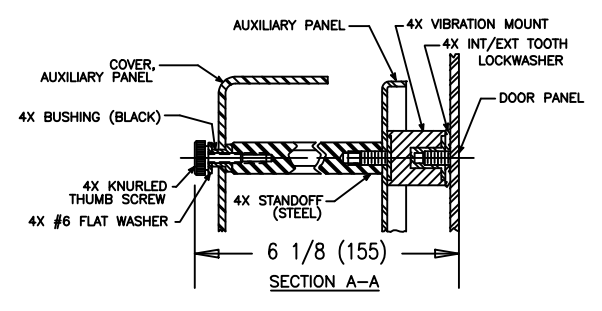
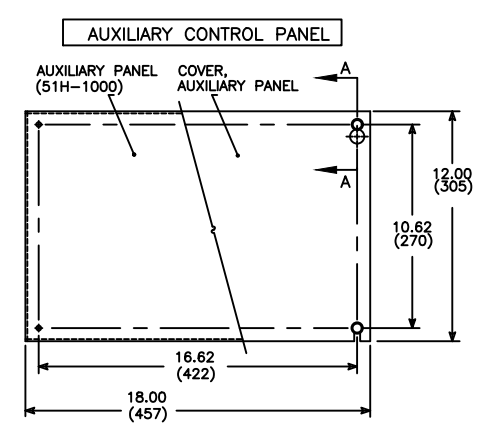
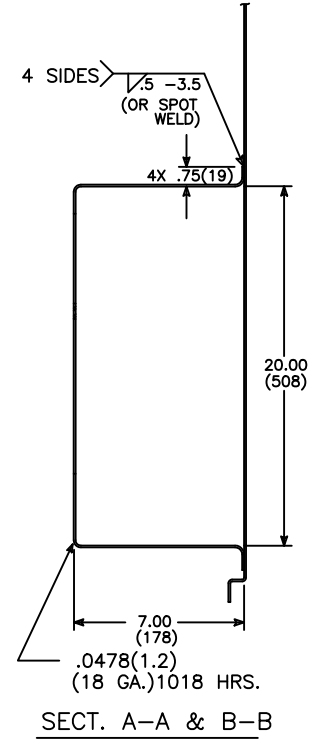
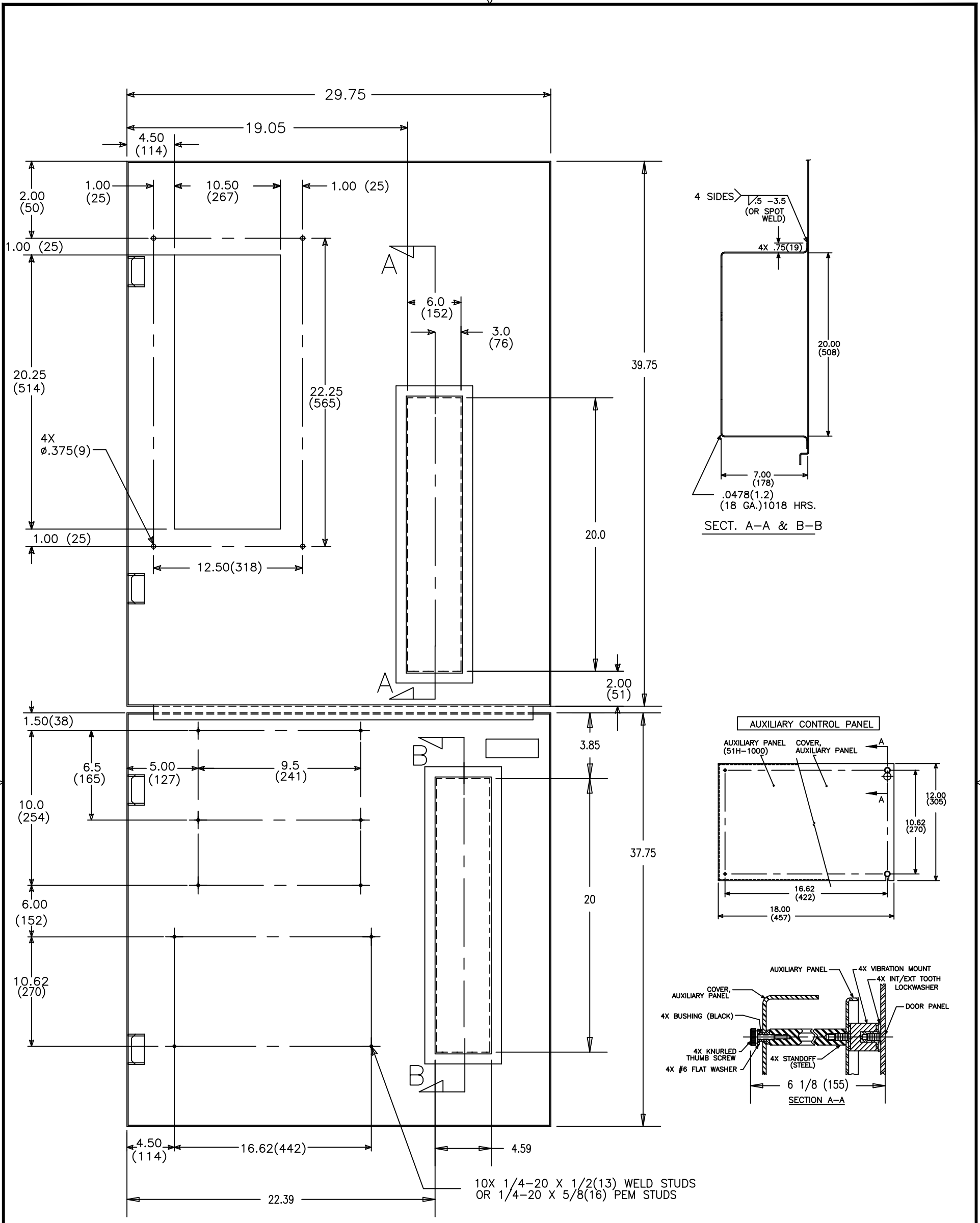


SIGNATURES	DATE
MODEL	.
DETAIL	.
CHECKED	.
ENGRG	.
MFG	.
QUALITY	.
ISSUED	.
SOLID MODEL: 50C-2036-3P	



TITLE  
OPEN TYPE BYPASS ATS LAYOUT  
ZBTS(D) 100-400 AMPS -2,3,4 POLES  
ZBTS(D) 100-400 AMPS -2,3,4 POLES


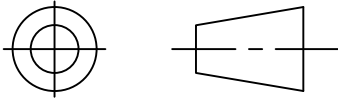
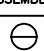
SIZE	DRAWING	REV
B	50C-2036	2
SCALE: 1:10	REF. No: .	SHEET 2 of 3



10X 1/4-20 X 1/2(13) WELD STUDS  
OR 1/4-20 X 5/8(16) PEM STUDS

DOOR DETAIL  
(INSIDE VIEW)

ALL DIMENSIONS ARE FOR REFERENCE ONLY  
AND SHOWN IN INCHES(MILLIMETERS).

ABB PROPRIETARY AND CONFIDENTIAL INFORMATION <small>The information contained in the document has to be kept strictly confidential. Any unauthorized use, reproduction, distribution or disclosure to third parties is strictly forbidden. ABB reserves all rights regarding Intellectual Property Rights. Copyright 2018 ABB. All rights reserved</small>	SIGNATURES MODEL JP DETAIL CHECKED ENGRG SB MFG QUALITY ISSUED		DATE 2/12/97 2/12/97		 <b>BYPASS SWITCH DOOR MODIFICATIONS</b>
	DRAWING FILE: 50c-2036.dwg MODEL / ASSEMBLY FILE: ZBTS 400 AMP 2,3 & 4 POLES		FIRST MADE FOR: ZBTS 400 AMP 2,3 & 4 POLES SIZE B CAGE CODE DWG NO		
THIRD ANGLE PROJECTION 	AutoCad Generated	# CTQs 	CRITICAL TO QUALITY CHARACTERISTIC		SCALE: NA SHEET 3 OF 3

