

**ABB PROPRIETARY AND CONFIDENTIAL INFORMATION**  
 The information contained in the document has to be kept strictly confidential.  
 Any unauthorized use, reproduction, distribution or disclosure to third parties is strictly forbidden.  
 ABB reserves all rights regarding intellectual Property Rights.  
 Copyright 2018 ABB. All rights reserved

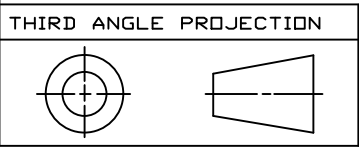
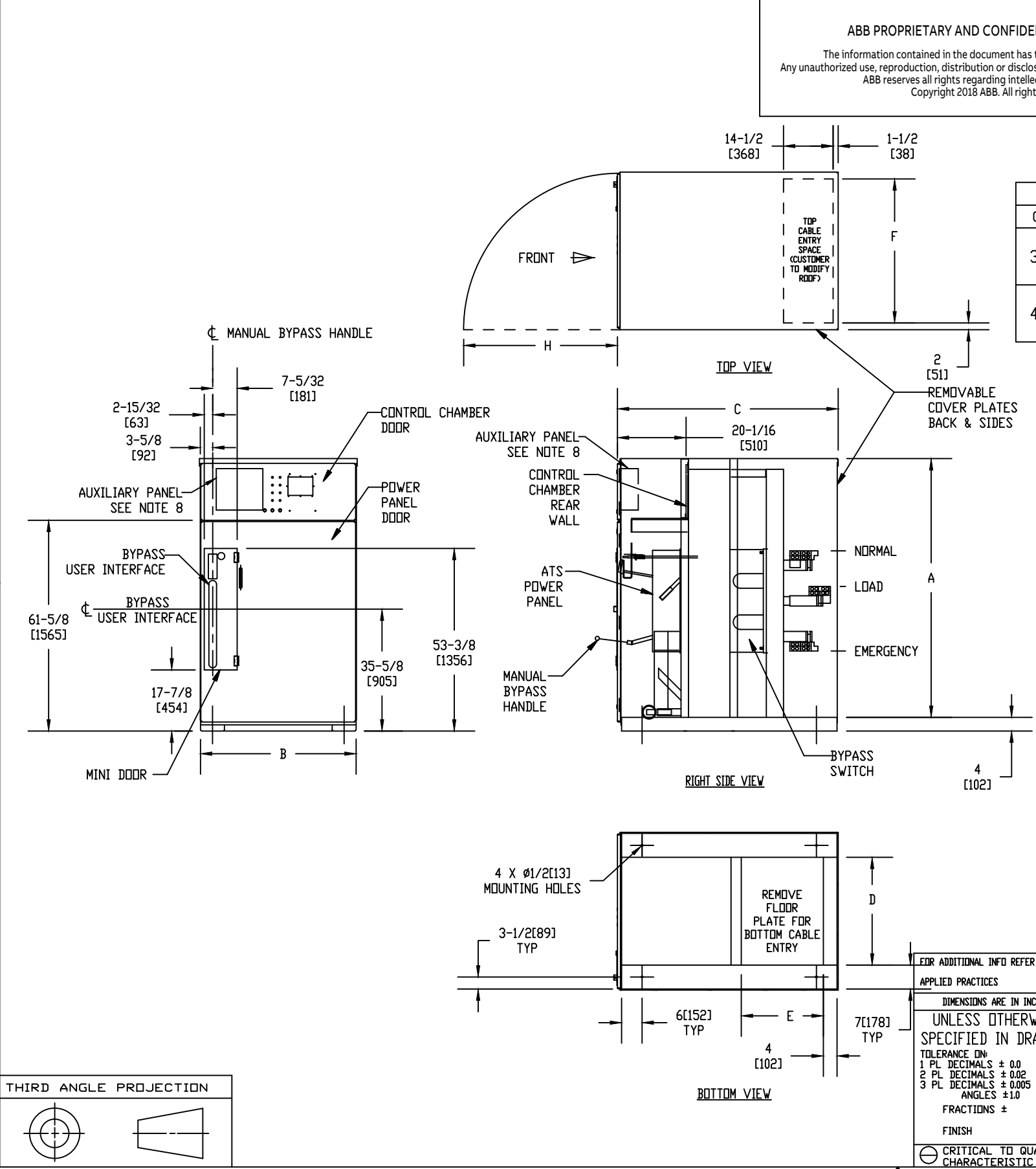
REVISIONS			
REV.	DESCRIPTION	DATE	APPROVED
1	C077003 UPDATED REBRANDING	09/23/19	AR MAS

CABINET	CABINET DIMENSIONS						CABINET REFERENCE DRAWING
	A	B	C	D	E	F	ENCLOSURE KIT
3-POLE	75-5/8 [1921]	40-19/32 [1031]	64-9/16 [1640]	26 [660]	24 [610]	36-1/2 [927]	F-1966MP
4-POLE	75-5/8 [1921]	46-3/32 [1171]	64-9/16 [1640]	31-1/2 [800]	24 [610]	42 [1067]	F-1967MP

RECOMMENDED CLEARANCES	
CABINET	H(FRONT)
3-POLE	40-5/32 [1020]
4-POLE	45-21/32 [1160]

**IMPORTANT NOTE:**  
 LUGS ARE SUPPLIED AS OPTIONAL ACCESSORY ONLY. TYPICAL CONFIGURATION SHOWN FOR REFERENCE ONLY

- NOTES:
- MATERIAL: 10 GA. STEEL .134(3) REF. UNLESS OTHERWISE NOTED
  - FINISH: PER F-7000.
  - LUGS SHOWN FOR TOP CABLE ENTRY MAY BE RESERVED FOR BOTTOM CABLE ENTRY. LUGS ARE SUPPLIED AS OPTION ONLY.
  - ALL DIMENSIONS ARE FOR REFERENCE ONLY AND SHOWN IN INCHES(MILLIMETERS).
  - ALL HANDLING AND MOVEMENT OF CABINET MUST BE DONE IN THE UPRIGHT POSITION ONLY.
  - CONSTRUCTION PER UL-1008.
  - ACCESS TO SIDES AND REAR OF UNIT RECOMMENDED.
  - AUXILIARY PANEL SUPPLIED AS OPTIONAL ONLY.



FOR ADDITIONAL INFO REFER TO:	SIGNATURES	DATE
APPLIED PRACTICES	MODEL SA	09/19/08
DIMENSIONS ARE IN INCHES UNLESS OTHERWISE SPECIFIED IN DRAWING	DETAIL SA	09/19/08
TOLERANCE ON:	CHECKED	.
1 PL. DECIMALS ± 0.0	ENGRG	.
2 PL. DECIMALS ± 0.02	MFG	.
3 PL. DECIMALS ± 0.005	QUALITY	.
ANGLES ± 1.0	ISSUED	.
FRACTIONS ±	SOLID MODEL: 50C-2039	
FINISH		
CRITICAL TO QUALITY CHARACTERISTIC		

**ABB**

TITLE TRANSFER SWITCH - NEMA 1 ENCL  
 1600-3000 A  
 ZBTS(D/CT)

SIZE B DRAWING 50C-2039

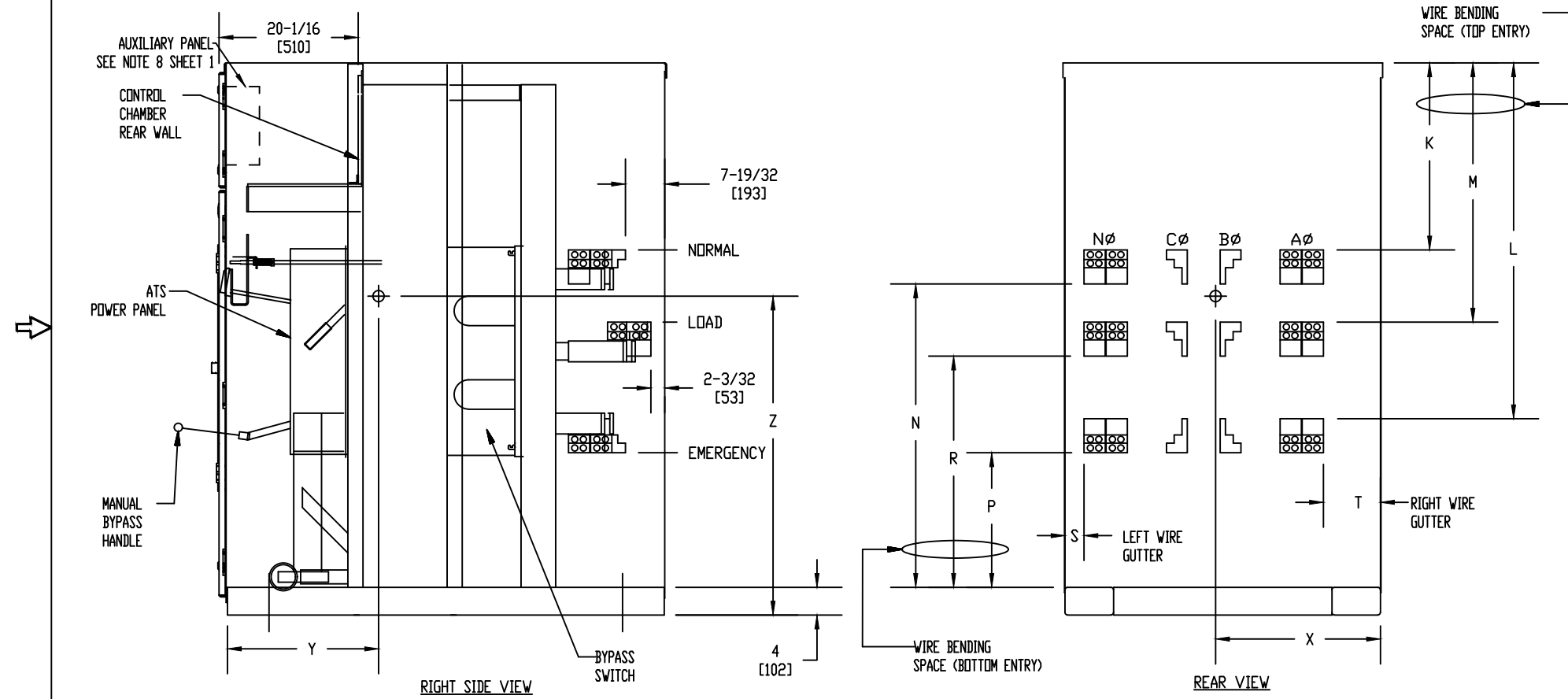
SCALE: 0.030 REF. No: SHEET 1 OF 4



ABB PROPRIETARY AND CONFIDENTIAL INFORMATION

The information contained in the document has to be kept strictly confidential. Any unauthorized use, reproduction, distribution or disclosure to third parties is strictly forbidden. ABB reserves all rights regarding intellectual Property Rights. Copyright 2018 ABB. All rights reserved

Z(BTSD/CT) SWITCH	CONTROLLER TYPE	CABINET	LUG RANGE	WIRE BENDING SPACE						WIRE GUTTERS	
				TOP ENTRY			BOTTOM ENTRY			S(LEFT)	T(RIGHT)
				K(NDRM)	L(EMERG)	M(LOAD)	N(NDRM)	P(EMERG)	R(LOAD)		
1600-2600 AMP	MX-250	3-POLE	(4 PORTS/LUG) #2-600 MCM (33-304mm <sup>2</sup> )	26-31/32 [685]	51-5/16 [1303]	37-3/8 [949]	43-3/4 [1111]	19-13/32 [493]	33-11/32 [847]	2-3/4 [70]	8-7/32 [209]
		4-POLE		26-15/32 [673]	51-13/16 [1316]	36-7/8 [937]	44-1/4 [1124]	18-29/32 [480]	33-7/8 [860]	3-7/16 [87]	8-29/32 [226]
3-POLE		(4 PORTS/LUG) #4-750 MCM	26-31/32 [685]	48-3/16 [1224]	37-3/8 [949]	43-3/4 [1111]	22-13/32 [569]	33-11/32 [847]	2-3/4 [70]	8-7/32 [209]	
4-POLE			26-15/32 [673]	47-9/16 [1208]	36-7/8 [937]	44-1/4 [1124]	23-3/64 [585]	33-7/8 [860]	3-7/16 [87]	8-29/32 [226]	

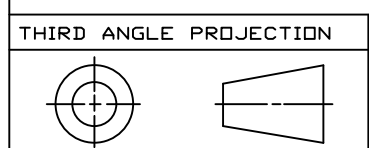


Z(BTSD/CT) SWITCH	CABINET	CENTER OF GRAVITY			WEIGHT LB(KG)
		X	Y	Z	
1600-2600 AMP	3-POLE	20-1/8 [511]	29-3/16 [741]	38-1/8 [968]	4713 [2138]
	4-POLE	22-7/8 [581]	29-7/16 [748]	38 [965]	5125 [2325]
3000 AMP	3-POLE	20-7/16 [519]	30-3/16 [767]	37-17/32 [953]	5341 [2423]
	4-POLE	23-9/27 [591]	30-13/32 [772]	37-9/16 [954]	5747 [2606]

IMPORTANT NOTE:  
LUGS ARE SUPPLIED AS OPTIONAL ACCESSORY ONLY. TYPICAL CONFIGURATION SHOWN FOR REFERENCE ONLY

- NOTES:
1. ALL CABLE ENTRY IN REAR OF CABINET. NO CABLE ENTRY IN FRONT OF CABINET.
  2. WIRE BENDING AND GUTTER SPACES MEASURED AT POINT OF CONNECTION TO LUGS.
  3. LUGS SHOWN FOR TOP CABLE ENTRY MAY BE RESERVED FOR BOTTOM CABLE ENTRY. LUGS ARE SUPPLIED AS OPTION ONLY.
  4. ALL DIMENSIONS ARE FOR REFERENCE ONLY AND SHOWN IN INCHES(MILLIMETERS).

RIGHT SIDE VIEW  
REAR VIEW  
WIRE BENDING SPACE (TOP ENTRY)  
WIRE BENDING SPACE (BOTTOM ENTRY)  
BYPASS SWITCH SHOWN WITH REAR MECHANICAL LUGS

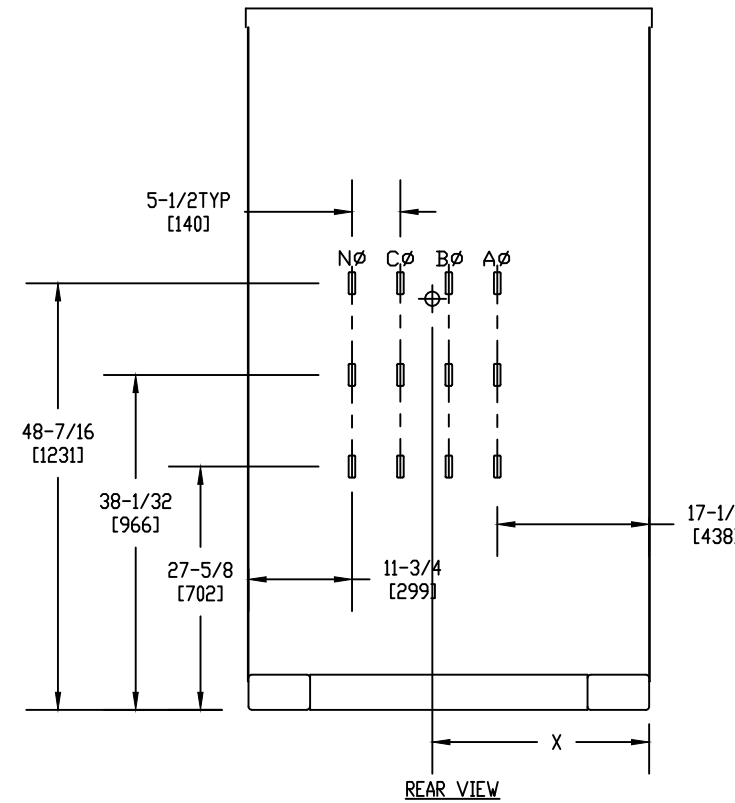
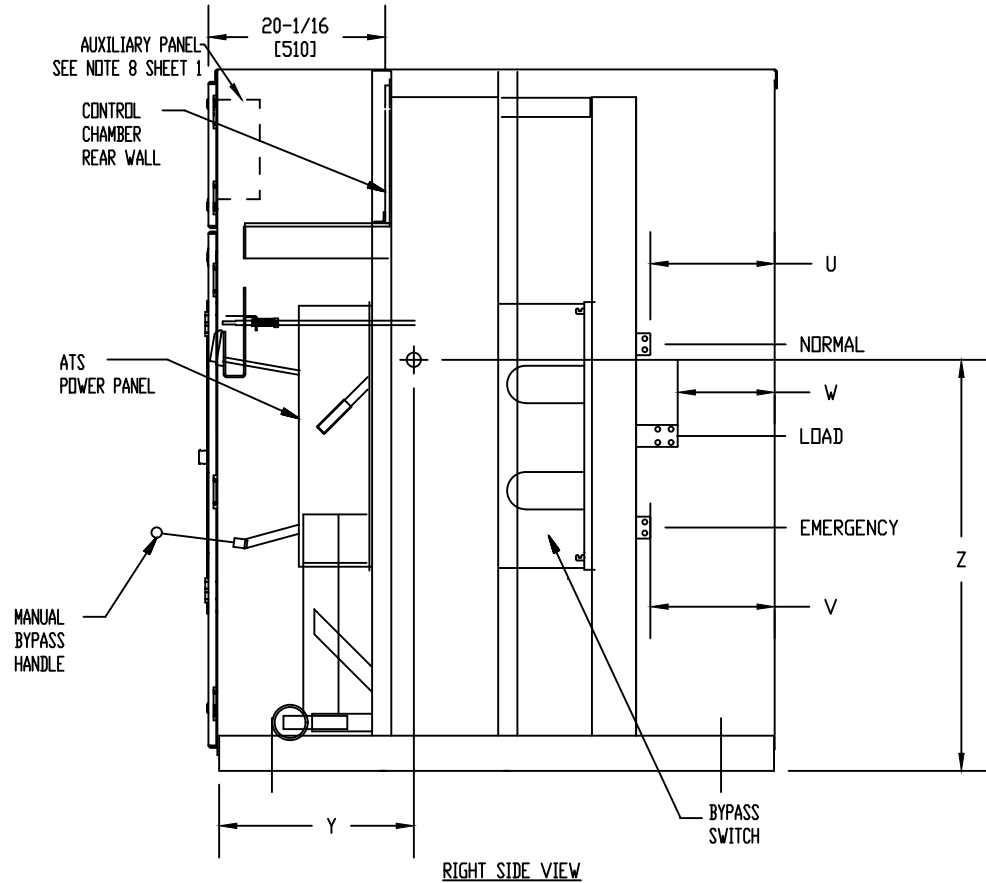


FOR ADDITIONAL INFO REFER TO APPLIED PRACTICES	SIGNATURES	DATE	<b>ABB</b>	TITLE TRANSFER SWITCH - NEMA 1 ENCL 1600-3000 A ZBTS(D/CT)
DIMENSIONS ARE IN INCHES	MODEL SA	09/19/08		
UNLESS OTHERWISE SPECIFIED IN	DETAIL SA	09/19/08	SIZE B	DRAWING 50C-2039
TOLERANCES UNLESS OTHERWISE SPECIFIED	CHECKED			
1 PL DECIMALS ± 0.01	ENGRG		SCALE: 0.050	REF. No: .
2 PL DECIMALS ± 0.02	MFG		SHEET 2 OF 4	
3 PL DECIMALS ± 0.005	QUALITY			
ANGLES ± 1.0	ISSUED			
FRACTIONS ±	SOLID MODEL: 50C-2039			
FINISH				
CRITICAL TO QUALITY CHARACTERISTIC				



ABB PROPRIETARY AND CONFIDENTIAL INFORMATION

The information contained in the document has to be kept strictly confidential. Any unauthorized use, reproduction, distribution or disclosure to third parties is strictly forbidden. ABB reserves all rights regarding intellectual Property Rights. Copyright 2018 ABB. All rights reserved



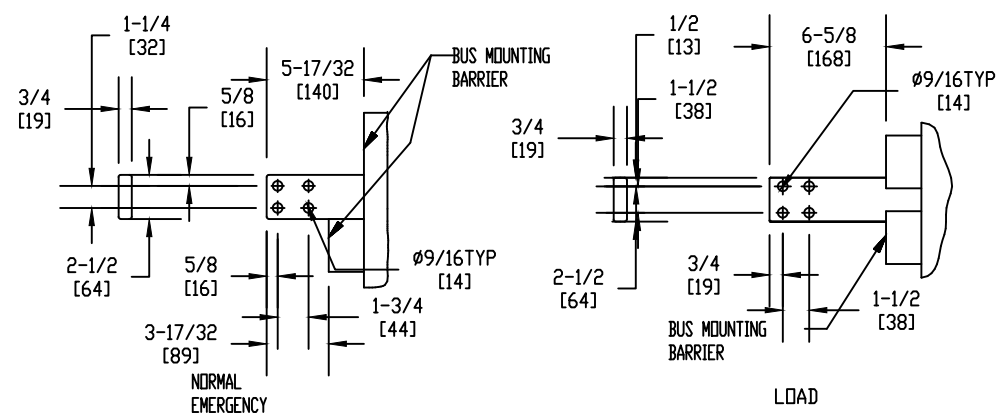
ZBTS(D/CT) SWITCH	CONTROLLER TYPE	CABINET	U(NDRM)	V(EMERG)	W(LOAD)
1600-2600 AMP	MX-250	3-POLE	14-3/32 [358]	14-3/32 [358]	11 [279]
		4-POLE			
3000 AMP	MX-250	3-POLE	15-5/8 [397]	15-5/8 [397]	9-5/32 [233]
		4-POLE			

CENTER OF GRAVITY					
ZBTS(D/CT) SWITCH	CABINET	X	Y	Z	WEIGHT LBS(KG)
1600-2600 AMP	3-POLE	19-31/32 [507]	27-17/32 [699]	38-1/8 [968]	4490 [2037]
	4-POLE	22-11/16 [576]	27-5/8 [702]	37-31/32 [964]	4842 [2196]
3000 AMP	3-POLE	20-5/16 [516]	28-11/32 [720]	37-15/32 [952]	4997 [2267]
	4-POLE	23-1/8 [587]	28-1/2 [724]	37-9/16 [954]	5305 [2406]

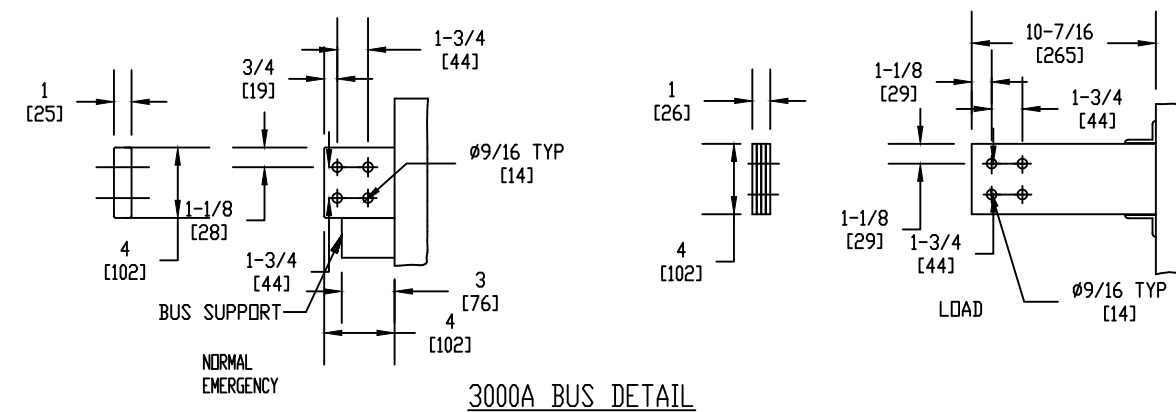
NOTES:

1. ALL DIMENSIONS ARE FOR REFERENCE ONLY AND SHOWN IN INCHES(MILLIMETERS).

BYPASS SWITCH SHOWN WITH REAR BUS

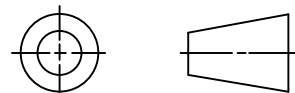


1600-2000A BUS DETAIL



3000A BUS DETAIL

THIRD ANGLE PROJECTION



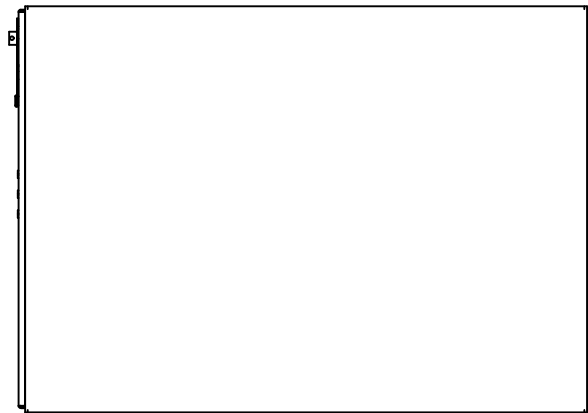
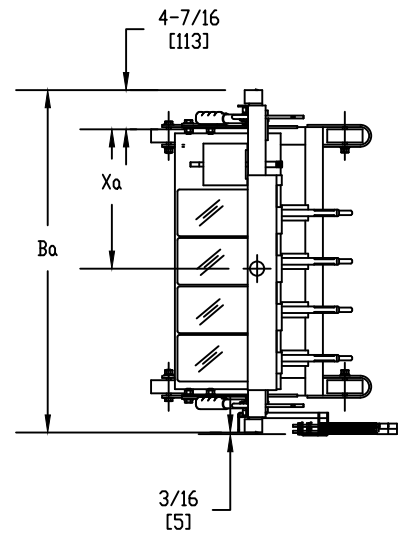
FOR ADDITIONAL INFO REFER TO:	SIGNATURES	DATE
APPLIED PRACTICES	MODEL SA	09/19/08
DIMENSIONS ARE IN INCHES	DETAIL SA	09/19/08
UNLESS OTHERWISE SPECIFIED IN	CHECKED	
TOLERANCES UNLESS OTHERWISE SPECIFIED IN	ENGRG	
1 PL DECIMALS ± 0.02	MFG	
2 PL DECIMALS ± 0.005	QUALITY	
3 PL DECIMALS ± 0.0005	ISSUED	
ANGLES ± 1.0	SOLID MODEL: 50C-2039	
FRACTIONS ±		
FINISH		
CRITICAL TO QUALITY CHARACTERISTIC		

		TITLE TRANSFER SWITCH - NEMA 1 ENCL	
		1600-3000 A ZBTS(D/CT)	
SIZE	DRAWING	50C-2039	
B		SCALE: 0.050	REF. No: .
			SHEET 3 OF 4

↓

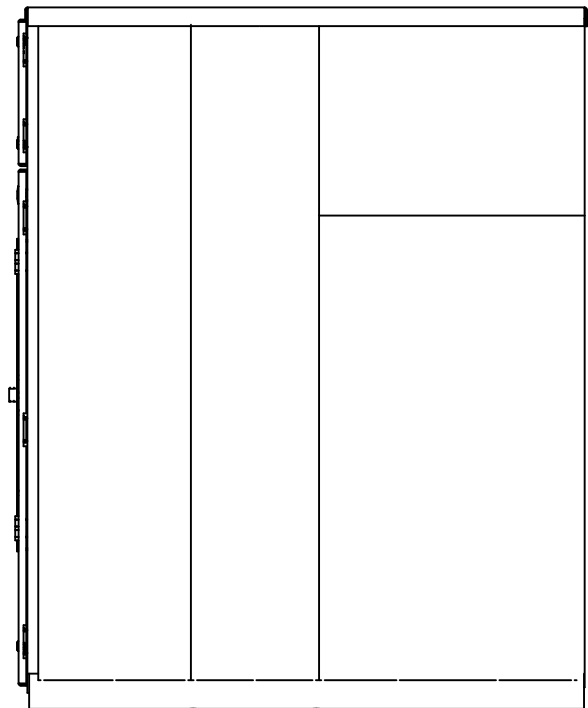
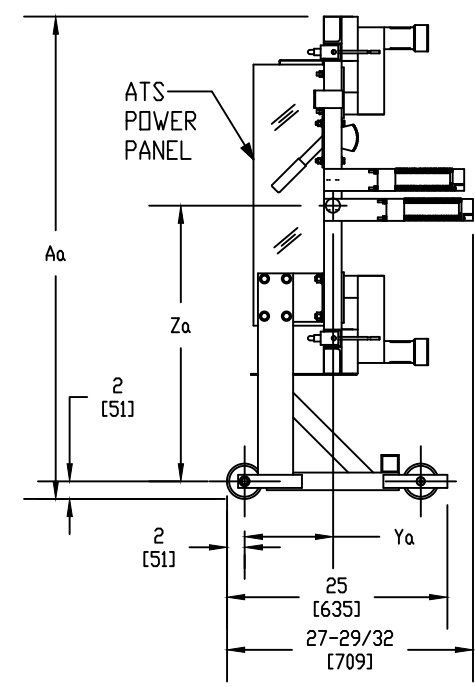
**ABB PROPRIETARY AND CONFIDENTIAL INFORMATION**

The information contained in the document has to be kept strictly confidential.  
Any unauthorized use, reproduction, distribution or disclosure to third parties is strictly forbidden.  
ABB reserves all rights regarding intellectual Property Rights.  
Copyright 2018 ABB. All rights reserved



ATS POWER PANEL WITH CART DIMENSIONS			
ZBTS(D/CT) SWITCH	POLES	Aa	Ba
1600-2600 AMP	3-POLE	54-25/32 [1391]	33-3/8 [848]
	4-POLE	54-25/32 [1391]	38-7/8 [987]
3000 AMP	3-POLE	56-5/8 [1438]	33-3/8 [848]
	4-POLE	56-5/8 [1438]	38-7/8 [987]

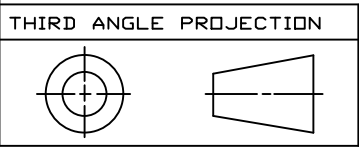
CENTER OF GRAVITY OF ATS POWER PANEL WITH CART					
ZBTS(D/CT) SWITCH	POLES	Xa	Ya	Za	WEIGHT LB(KG)
1600-2600 AMP	3-POLE	13 [330]	10-1/8 [257]	29-17/32 [750]	559 [253]
	4-POLE	15-13/16 [402]	10-7/32 [260]	29-7/8 [759]	683 [310]
3000 AMP	3-POLE	13-15/32 [342]	11-5/8 [295]	30-7/32 [767]	725 [329]
	4-POLE	16-9/32 [414]	11-13/16 [300]	30-17/32 [775]	904 [410]



ATS POWER PANEL SHOWN OUT-SIDE THE ENCLOSURE

NOTES:

1. ALL DIMENSIONS ARE FOR REFERENCE ONLY AND SHOWN IN INCHES(MILLIMETERS).



Part must conform to SI 900000 Sect. 4, Toxicity Procedure

FOR ADDITIONAL INFO REFER TO APPLIED PRACTICES	SIGNATURES	DATE	<b>ABB</b>
DIMENSIONS ARE IN INCHES	MODEL SA	09/19/08	
UNLESS OTHERWISE SPECIFIED IN DRAWING	DETAIL SA	09/19/08	TITLE TRANSFER SWITCH - NEMA 1 ENCL 1600-3000 A ZBTS(D/CT)
TOLERANCE IN: 1 PL DECIMALS ± 0.0 2 PL DECIMALS ± 0.02 3 PL DECIMALS ± 0.005 ANGLES ± 1.0	CHECKED		
FRACTIONS ±	ENGRG		SIZE DRAWING B
FINISH	MFG		
CRITICAL TO QUALITY CHARACTERISTIC	QUALITY		50C-2039
	ISSUED		
	SOLID MODEL: 50C-2039		SCALE: 0.050
			REF. No: .
			SHEET 4 OF 4