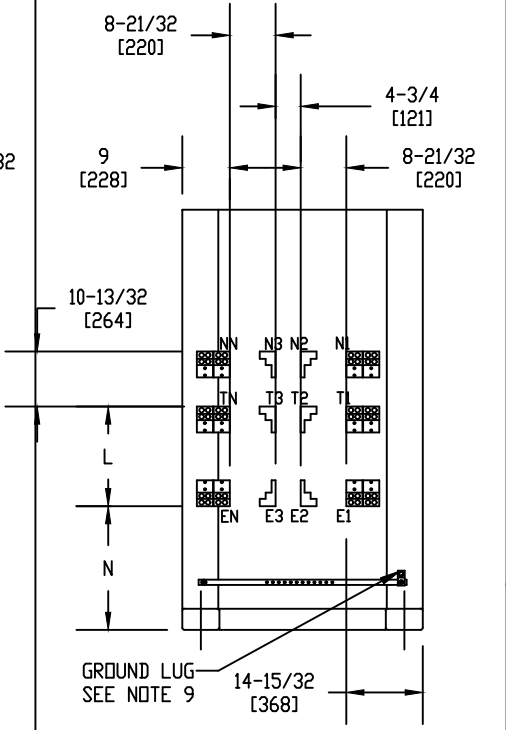
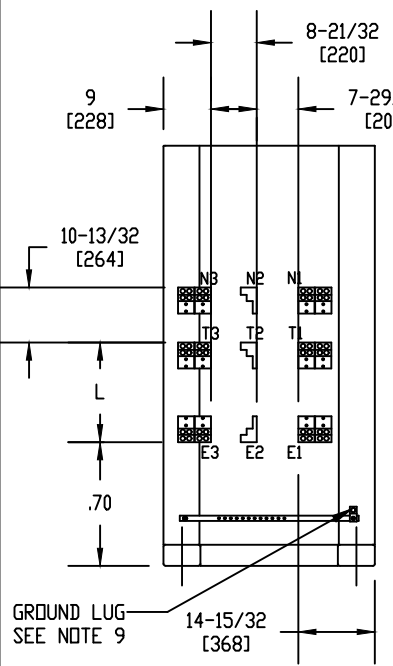
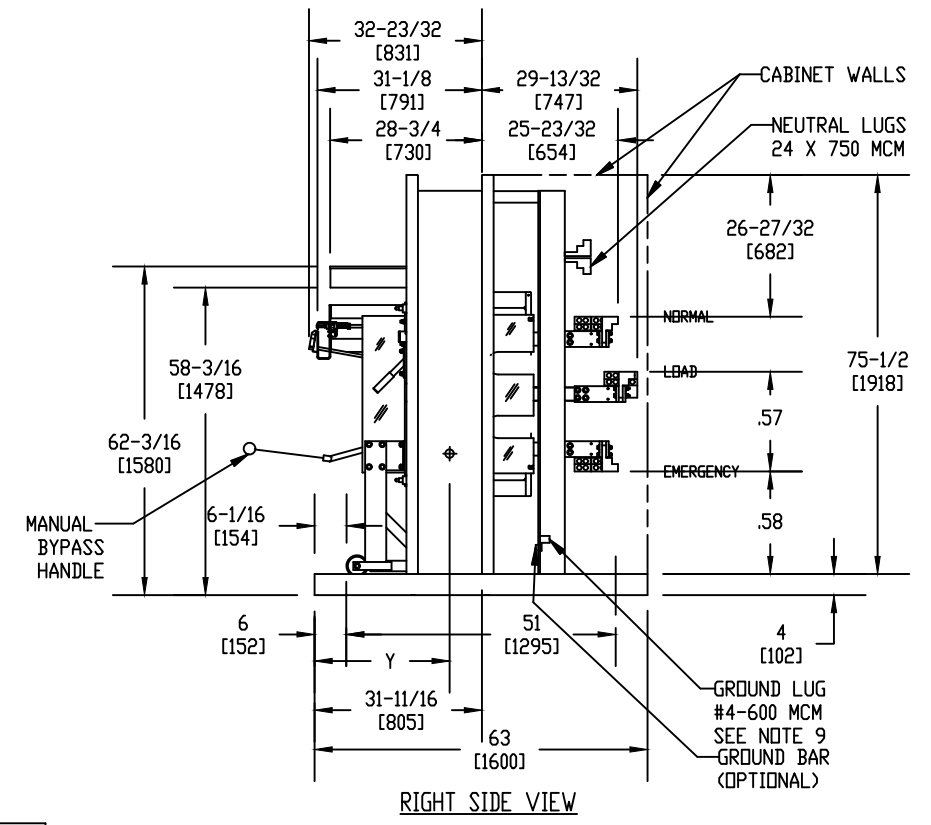
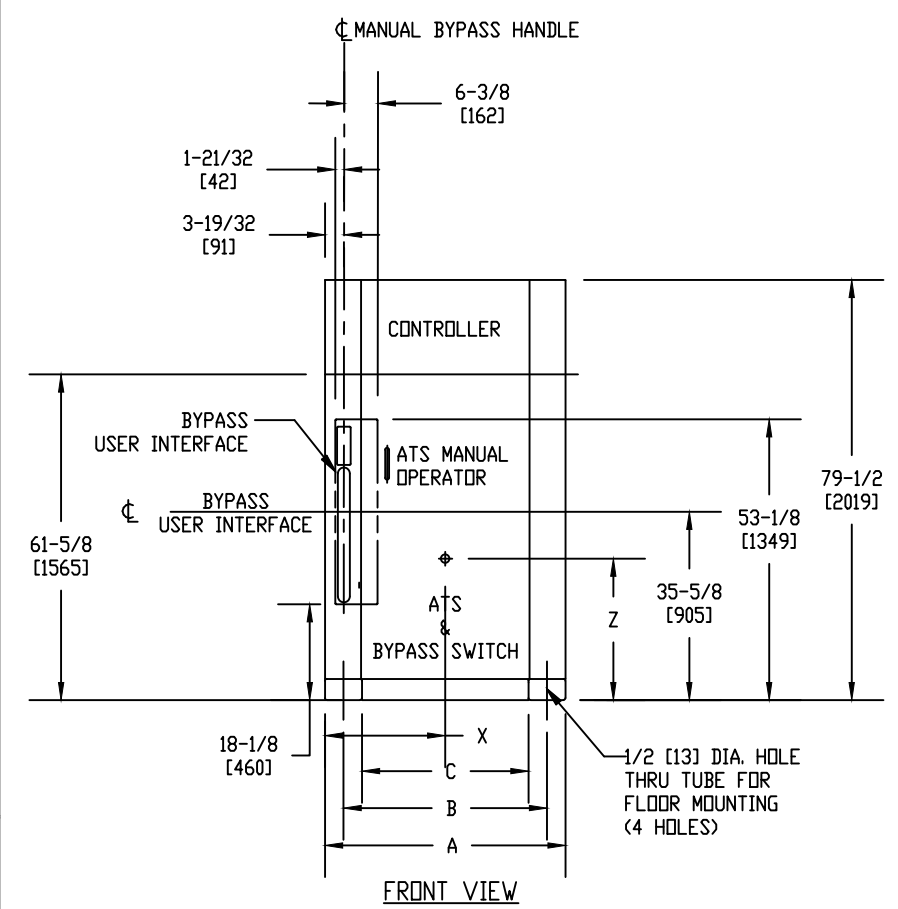


↓ B

ABB PROPRIETARY AND CONFIDENTIAL INFORMATION
 The information contained in the document has to be kept strictly confidential. Any unauthorized use, reproduction, distribution or disclosure to third parties is strictly forbidden. ABB reserves all rights regarding intellectual Property Rights. Copyright 2018 ABB. All rights reserved

REVISIONS				
REV.	DESCRIPTION	DATE	APPROVED	
1	C076901 UPDATED REBRANDING	09/20/19	AR	MAS



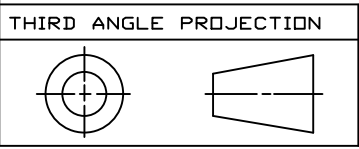
CENTER OF GRAVITY			
# OF POLES	A	B	C
3-POLE	40 [1016]	33 [838]	26 [660]
4-POLE	45-1/2 [1156]	38-1/2 [978]	31-1/2 [800]

# OF POLES	X	Y	Z	WEIGHT LB(KG)
3-POLE	20-9/32 [515]	30-9/16 [776]	33-7/8 [860]	2238 [1015]
4-POLE	23-3/32 [587]	30-23/32 [780]	34 [864]	2603 [1181]

1600-2600 A	4 PORTS/LUG	LUG SIZE	L	M	N
		#2- 600 MCM (33-304mm ²)	18-27/32 [479]	19-13/32 [493]	23-13/32 [595]
		#4- 750 MCM	15-27/32 [402]	22-13/32 [569]	26-13/32 [671]

TOTAL 8 PORTS FOR THE STANDARD OFFERING

- NOTES:
- THE LOCATION OF THE USER INTERFACE WINDOW WITH RELATION TO THE DIMENSIONS OF THE OPEN STYLE BYPASS SWITCH ARE CRITICAL TO THE ALIGNMENT OF THE MANUAL BYPASS HANDLE.
 - SEE SHEET 3 AND 4 FOR CONTROL CHAMBER MOUNTING DIMENSIONS AND DOOR MODIFICATIONS.
 - ACCESS TO SIDES AND REAR OF UNIT RECOMMENDED.
 - RUN ALL CABLES IN REAR OF ENCLOSURE. NO CABLE ENTRY IN FRONT OF ENCLOSURE.
 - ATS DRAWS OUT TOWARD FRONT OF ENCLOSURE.
 - MAINTAIN ELECTRICAL CLEARANCE OF 1" (25mm) MINIMUM BETWEEN LIVE METAL PARTS AND GROUNDED METAL.
 - CUSTOMERS CUBICLE MUST INCLUDE A TWO DOOR FRONT.
 - LUGS MAY BE ORIENTED TO ACCEPT CABLING FROM TOP AS WELL AS BOTTOM ENTRY. LUGS ARE SUPPLIED AS OPTION ONLY.
 - GROUND LUG WILL BE PROVIDED IF THE GROUND BAR IS NOT REQUESTED.
 - PRODUCT HAS TO BE MOVED ONLY BY USING APPROPRIATE LIFTING TRUCKS.
 - ALL DIMENSIONS ARE FOR REFERENCE ONLY AND SHOWN IN INCHES(MILLIMETERS).
 - AUXILIARY PANEL SUPPLIED AS OPTIONAL ONLY.



FOR ADDITIONAL INFO REFER TO	SIGNATURES	DATE
APPLIED PRACTICES	MODEL SA	09/17/08
DIMENSIONS ARE IN INCHES UNLESS OTHERWISE SPECIFIED IN DRAWING	DETAIL SA	09/17/08
TOLERANCE ON: 1 PL DECIMALS ± 0.0 2 PL DECIMALS ± 0.02 3 PL DECIMALS ± 0.005 ANGLES ± 1.0 FRACTIONS ±	CHECKED	.
FINISH	ENGRG	.
CRITICAL TO QUALITY CHARACTERISTIC	MFG	.
	QUALITY	.
	ISSUED	.
	SOLID MODEL: 50C-2040	.

ABB

TITLE BYPASS SWITCH - REAR LUGS
 1600-2600 A
 ZBTS(D/CT)

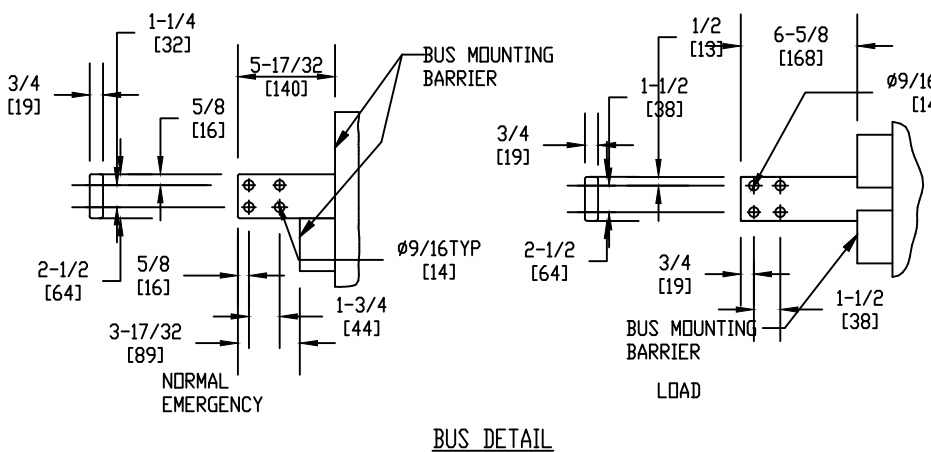
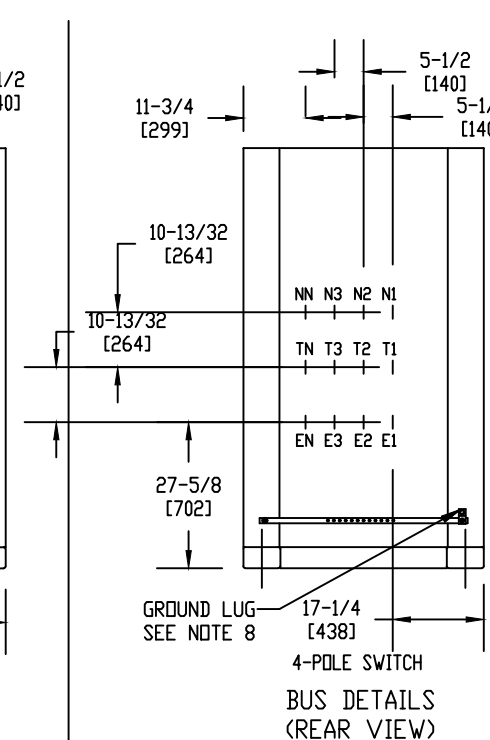
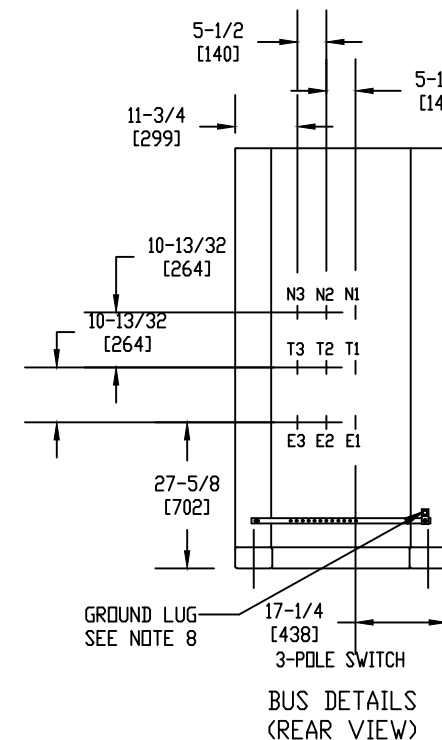
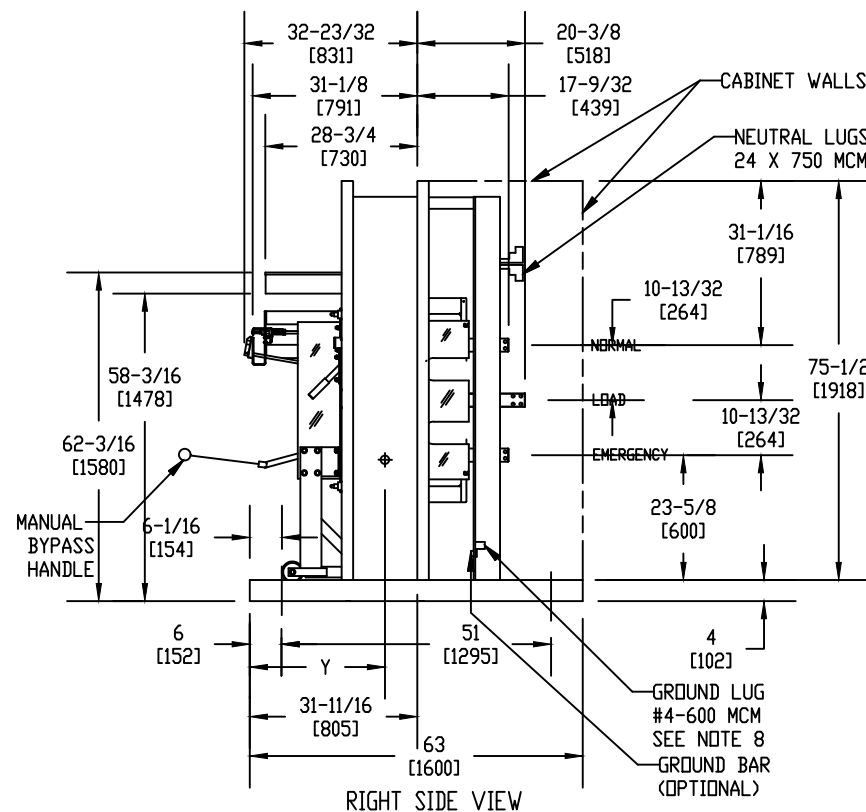
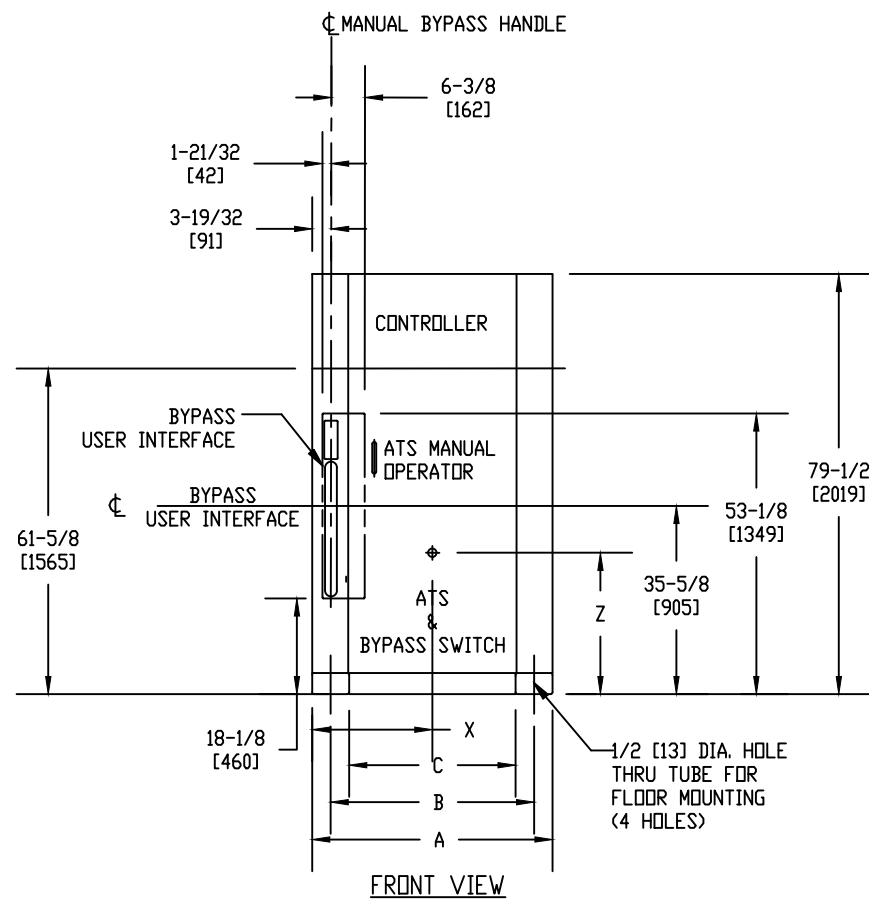
SIZE B DRAWING 50C-2040 REV 1

SCALE: 0.030 REF. No: SHEET 1 OF 5

Part must conform to SI 900000 Sect. 4, Toxicity Procedure

ABB PROPRIETARY AND CONFIDENTIAL INFORMATION

The information contained in the document has to be kept strictly confidential. Any unauthorized use, reproduction, distribution or disclosure to third parties is strictly forbidden. ABB reserves all rights regarding intellectual Property Rights. Copyright 2018 ABB. All rights reserved



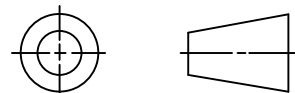
# OF POLES	A	B	C
3-POLE	40 [1016]	33 [838]	26 [660]
4-POLE	45-1/2 [1156]	38-1/2 [978]	31-1/2 [800]

CENTER OF GRAVITY				
# OF POLES	X	Y	Z	WEIGHT LB(KG)
3-POLE	20-1/16 [510]	28-13/32 [722]	33-1/2 [851]	2015 [914]
4-POLE	22-9/32 [566]	28-13/32 [722]	33-19/32 [853]	2320 [1052]

NOTES:

- THE LOCATION OF THE USER INTERFACE WINDOW WITH RELATION TO THE DIMENSIONS OF THE OPEN STYLE BYPASS SWITCH ARE CRITICAL TO THE ALIGNMENT OF THE MANUAL BYPASS HANDLE.
- SEE SHEET 3 AND 4 FOR CONTROL CHAMBER MOUNTING DIMENSIONS AND DOOR MODIFICATIONS.
- ACCESS TO SIDES AND REAR OF UNIT RECOMMENDED.
- RUN ALL CABLES IN REAR OF ENCLOSURE. NO CABLE ENTRY IN FRONT OF ENCLOSURE.
- ATS DRAWS OUT TOWARD FRONT OF ENCLOSURE.
- MAINTAIN ELECTRICAL CLEARANCE OF 1" (25mm) MINIMUM BETWEEN LIVE METAL PARTS AND GROUNDED METAL.
- CUSTOMERS CUBICLE MUST INCLUDE A TWO DOOR FRONT.
- GROUND LUG WILL BE PROVIDED IF THE GROUND BAR IS NOT REQUESTED.
- PRODUCT HAS TO BE MOVED ONLY BY USING APPROPRIATE LIFTING TRUCKS.
- ALL DIMENSIONS ARE FOR REFERENCE ONLY AND SHOWN IN INCHES (MILLIMETERS).
- AUXILIARY PANEL SUPPLIED AS OPTIONAL ONLY.

THIRD ANGLE PROJECTION



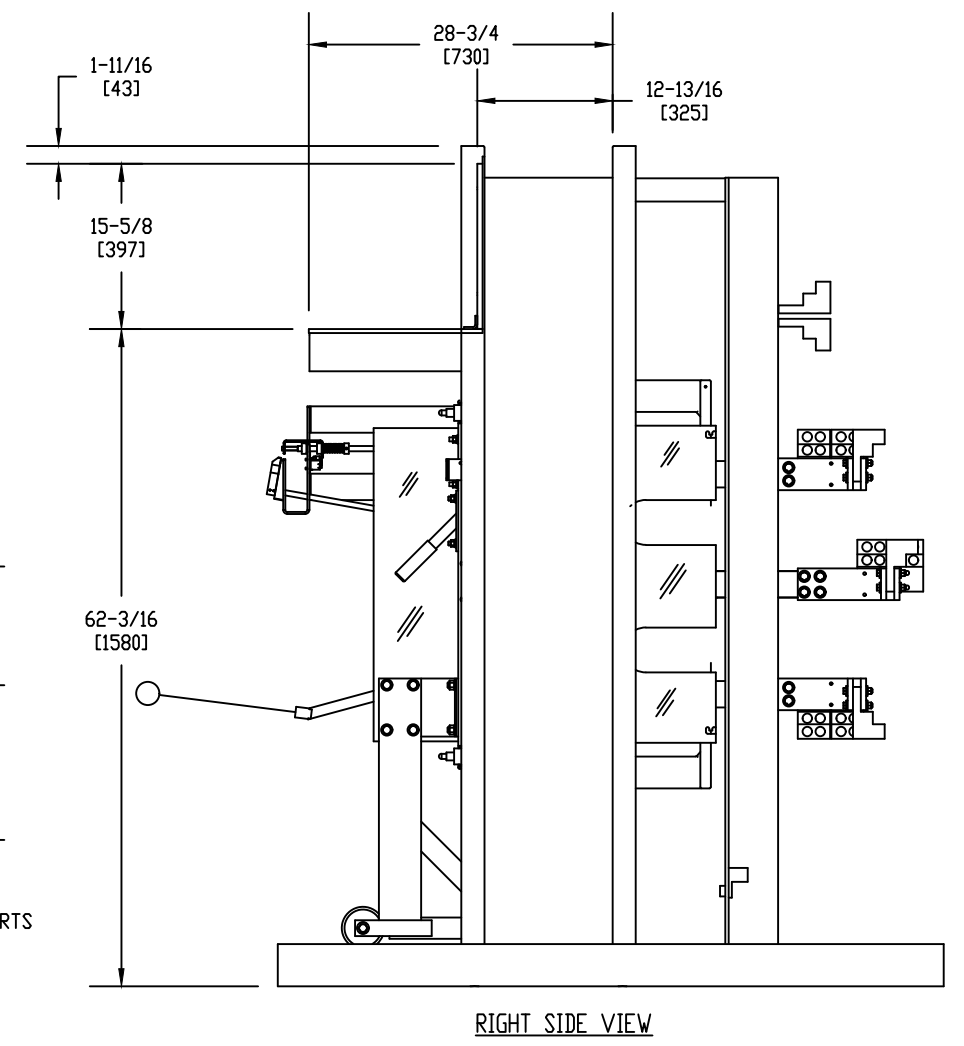
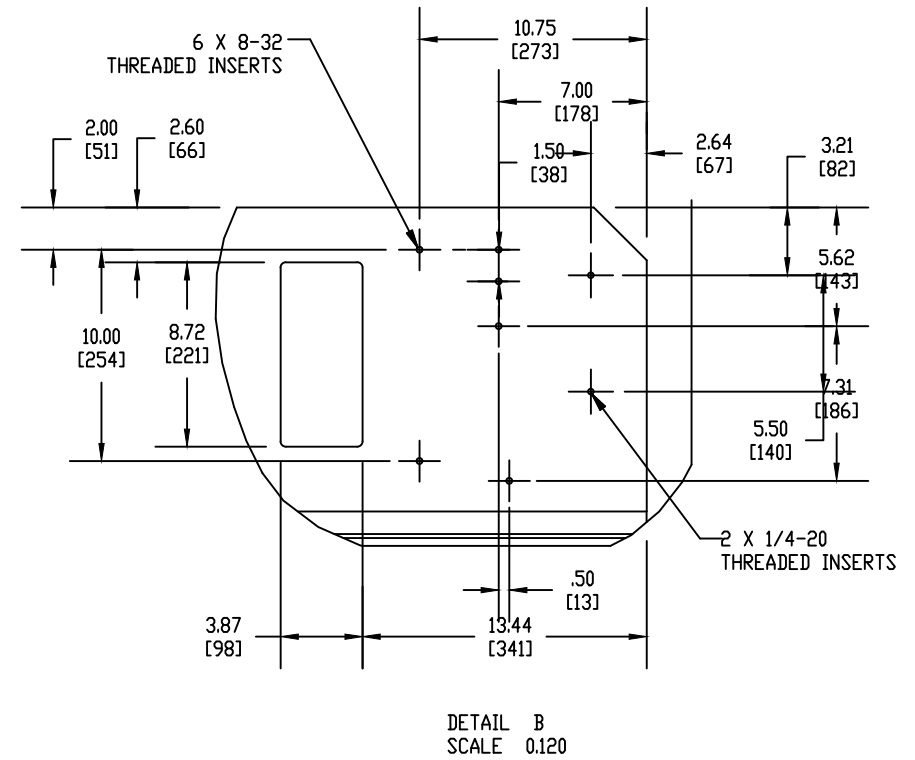
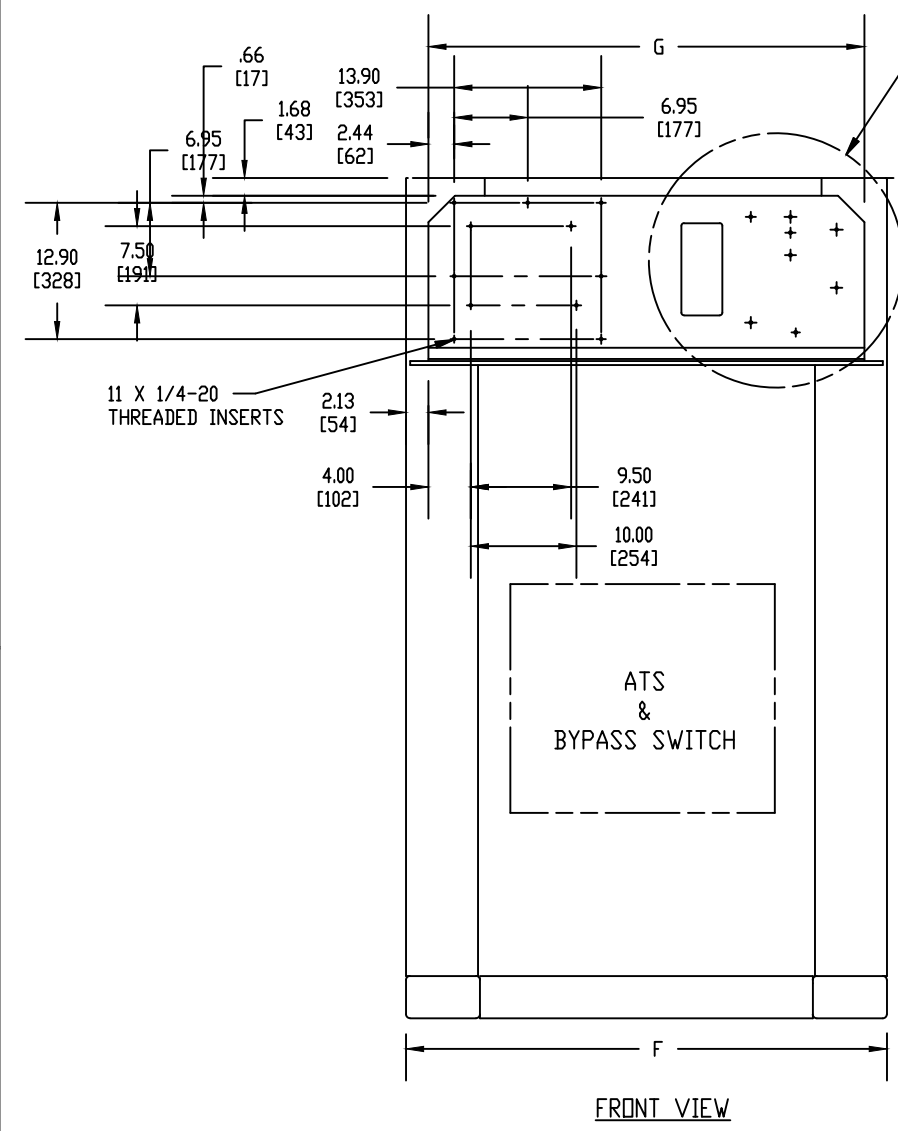
FOR ADDITIONAL INFO REFER TO:	SIGNATURES	DATE
APPLIED PRACTICES	MODEL SA	09/17/08
DIMENSIONS ARE IN INCHES UNLESS OTHERWISE SPECIFIED IN DRAWING	DETAIL SA	09/17/08
TOLERANCE IN: 1 PL DECIMALS ± 0.0 2 PL DECIMALS ± 0.02 3 PL DECIMALS ± 0.005 ANGLES ± 1.0 FRACTIONS ±	CHECKED	
FINISH	ENGRG	
CRITICAL TO QUALITY CHARACTERISTIC	MFG	
	QUALITY	
	ISSUED	
	SOLID MODEL: 50C-2040_3P	

TITLE		DRAWING	
BYPASS SWITCH - REAR BUS		50C-2040	
1600-2600 A		REV 1	
ZBTS(D/CT)		SHEET 2 OF 5	
SCALE: 0.030	REF. No: .		

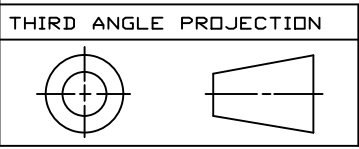


Part must conform to SI 900000 Sect. 4, Toxicity Procedure

ABB PROPRIETARY AND CONFIDENTIAL INFORMATION
 The information contained in the document has to be kept strictly confidential.
 Any unauthorized use, reproduction, distribution or disclosure to third parties is strictly forbidden.
 ABB reserves all rights regarding intellectual Property Rights.
 Copyright 2018 ABB. All rights reserved



ALL DIMENSIONS ARE FOR REFERENCE ONLY AND SHOWN IN INCHES(MILLIMETERS)



# OF POLES	F	G	H
3-POLE	40 [1016]	35.8 [908]	39.2 [996]
4-POLE	45.5 [1156]	41.3 [1048]	44.7 [1136]

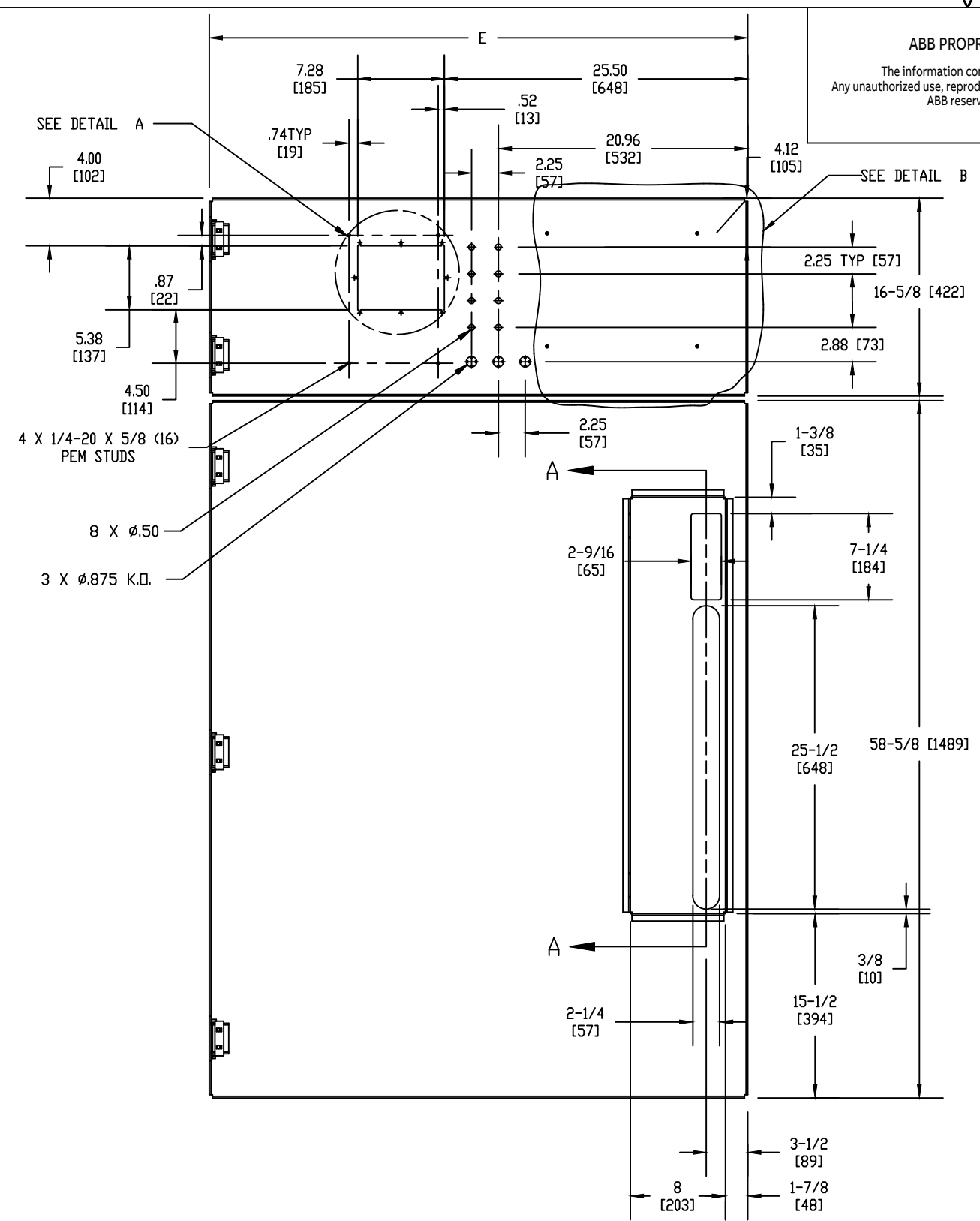
Part must conform to SI 900000 Sect. 4, Toxicity Procedure

FOR ADDITIONAL INFO REFER TO APPLIED PRACTICES	SIGNATURES	DATE	 ABB
DIMENSIONS ARE IN INCHES UNLESS OTHERWISE SPECIFIED IN DRAWING	MODEL SA	09/17/08	
TOLERANCE ON: 1 PL DECIMALS ± 0.0 2 PL DECIMALS ± 0.02 3 PL DECIMALS ± 0.005 ANGLES ± 1.0 FRACTIONS ±	DETAIL SA	09/17/08	TITLE BYPASS SWITCH - CONTROL CHAMBER 1600-2600 A ZBTS(D/CT)
FINISH	CHECKED	.	
CRITICAL TO QUALITY CHARACTERISTIC	ENGRG	.	
	MFG	.	
	QUALITY	.	SIZE DRAWING B B 50C-2040 REV 1
	ISSUED	.	
	SOLID MODEL: 50C-2040_CC		SCALE: 0.075 REF. No: . SHEET 3 OF 5

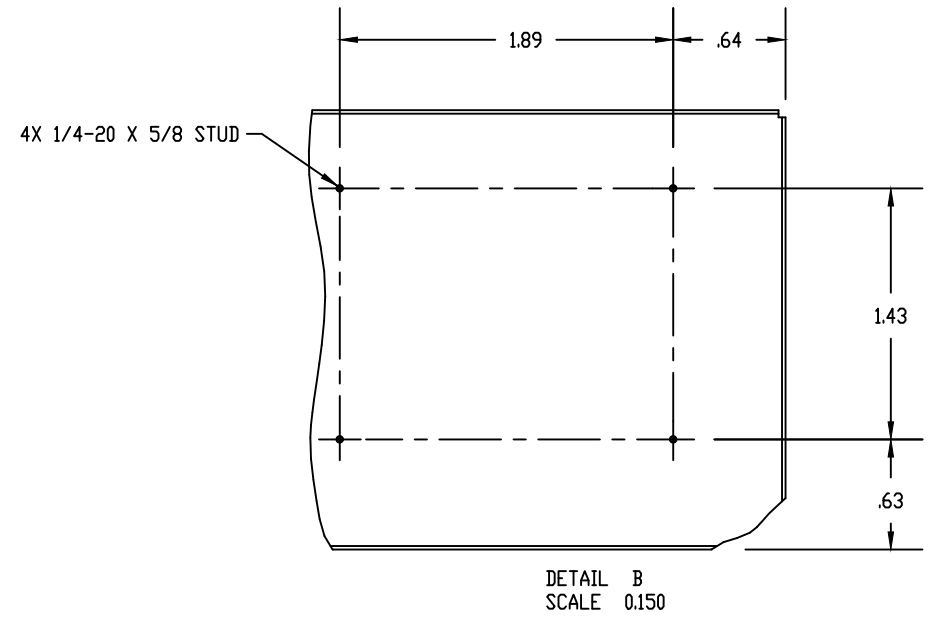
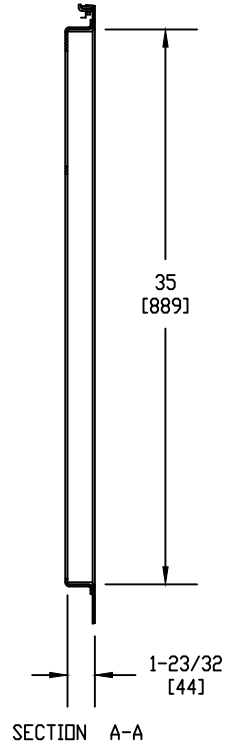
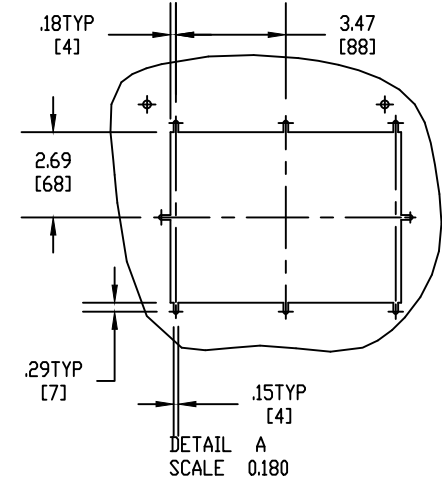


ABB PROPRIETARY AND CONFIDENTIAL INFORMATION

The information contained in the document has to be kept strictly confidential. Any unauthorized use, reproduction, distribution or disclosure to third parties is strictly forbidden. ABB reserves all rights regarding intellectual Property Rights. Copyright 2018 ABB. All rights reserved

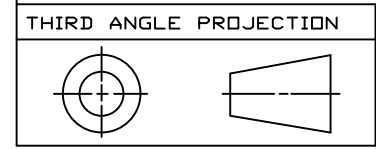


# OF POLES	E
3 POLE	39.76 [1010]
4 POLE	45.26 [1150]



ALL DIMENSIONS ARE FOR REFERENCE ONLY AND SHOWN IN INCHES(MILLIMETERS)

RECOMMENDED BYPASS SWITCH DOOR MODIFICATIONS (CUSTOMER SUPPLIED) INSIDE VIEW



Part must conform to SI 900000 Sect. 4, Toxicity Procedure

FOR ADDITIONAL INFO REFER TO:	SIGNATURES	DATE
APPLIED PRACTICES	MODEL SA	09/18/2008
DIMENSIONS ARE IN INCHES UNLESS OTHERWISE SPECIFIED IN DRAWING	DETAIL SA	09/18/2008
TOLERANCE ON: 1 PL DECIMALS ± 0.0 2 PL DECIMALS ± 0.02 3 PL DECIMALS ± 0.005 ANGLES ± 1.0 FRACTIONS ±	CHECKED	.
FINISH	ENGRG	.
CRITICAL TO QUALITY CHARACTERISTIC	MFG	.
	QUALITY	.
	ISSUED	.
	SOLID MODEL: 90C-1000_DOORMOD	

ABB

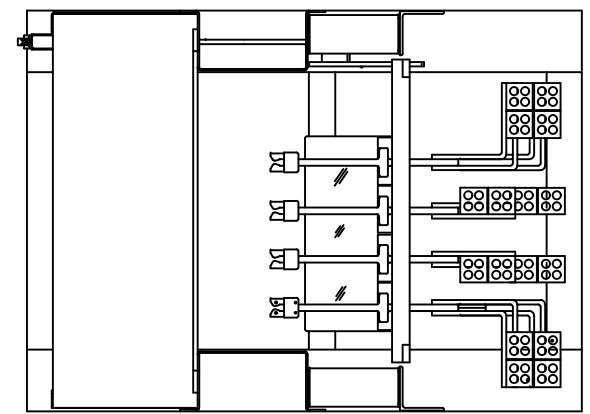
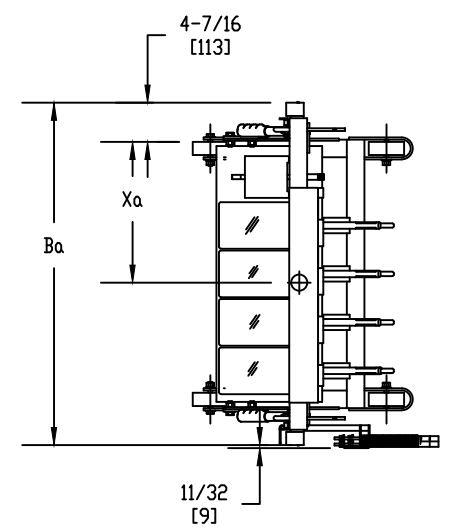
TITLE BYPASS SWITCH DOOR MODIFICATIONS
1600-2600 A
ZBTS(D/CT)

SIZE B	DRAWING	50C-2040	REV 1
SCALE: 0.090	REF. No:	SHEET 4 OF 5	

↓

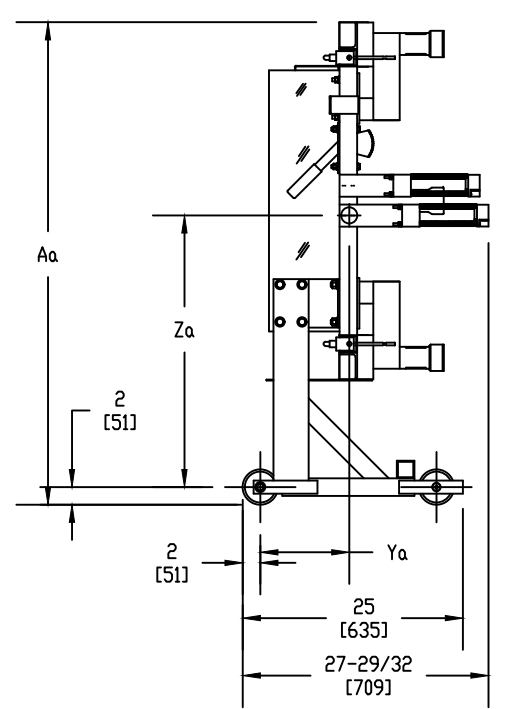
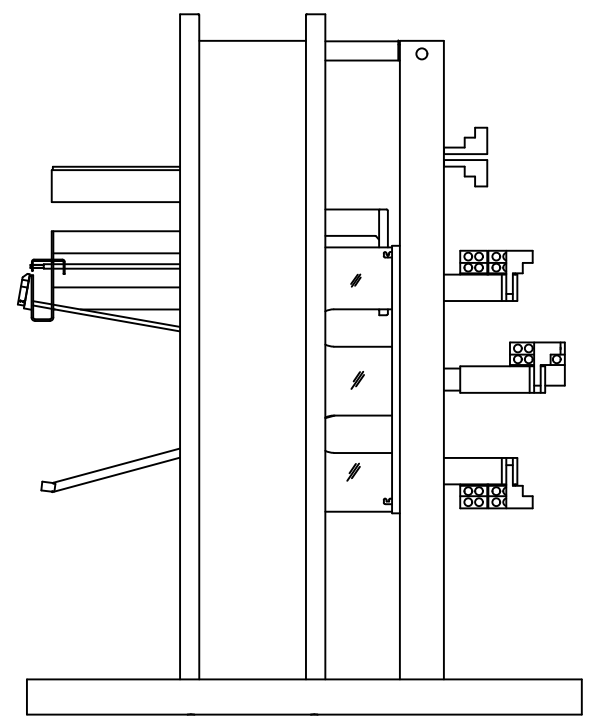
ABB PROPRIETARY AND CONFIDENTIAL INFORMATION

The information contained in the document has to be kept strictly confidential.
Any unauthorized use, reproduction, distribution or disclosure to third parties is strictly forbidden.
ABB reserves all rights regarding intellectual Property Rights.
Copyright 2018 ABB. All rights reserved



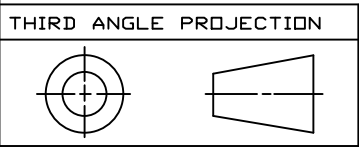
ATS POWER PANEL WITH CART DIMENSIONS			
ZBTS(D/CT) SWITCH	POLES	Aa	Ba
1600-2600 AMP	3-POLE	54-25/32 [1391]	33-3/8 [848]
	4-POLE	54-25/32 [1391]	38-7/8 [987]

CENTER OF GRAVITY OF ATS POWER PANEL WITH CART					
ZBTS(D/CT) SWITCH	POLES	Xa	Ya	Za	WEIGHT LB(KG)
1600-2600 AMP	3-POLE	13 [330]	10-1/8 [257]	29-17/32 [750]	559 [253]
	4-POLE	15-13/16 [402]	10-7/32 [260]	29-7/8 [759]	683 [310]



ATS POWER PANEL SHOWN OUT-SIDE THE FRAME

ALL DIMENSIONS ARE FOR REFERENCE ONLY AND SHOWN IN INCHES(MILLIMETERS)



Part must conform to SI 900000 Sect. 4, Toxicity Procedure

FOR ADDITIONAL INFO REFER TO: APPLIED PRACTICES	SIGNATURES		DATE	ABB	TITLE: BYPASS SWITCH - ATS POWER PANEL 1600-2600 A ZBTS(D/CT)
	MODEL	SA	09/17/08		
DIMENSIONS ARE IN INCHES UNLESS OTHERWISE SPECIFIED IN DRAWING	DETAIL	SA	09/17/08	SIZE: DRAWING B	REV 1
	CHECKED	.	.		
TOLERANCE ON: 1 PL DECIMALS ± 0.0 2 PL DECIMALS ± 0.02 3 PL DECIMALS ± 0.005 ANGLES ± 1.0	ENGRG	.	.	SCALE: 0.050	SHEET 5 OF 5
	MFG	.	.		
FRACTIONS ±	QUALITY	.	.	REF. No: .	
FINISH	ISSUED	.	.		
CRITICAL TO QUALITY CHARACTERISTIC	SOLID MODEL: 50C-2040_ATS				

