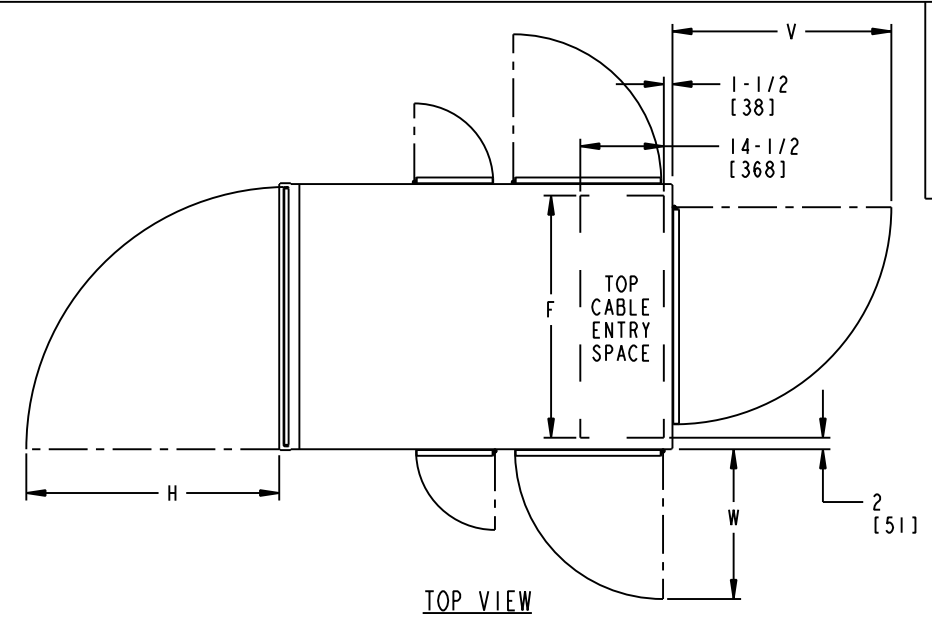


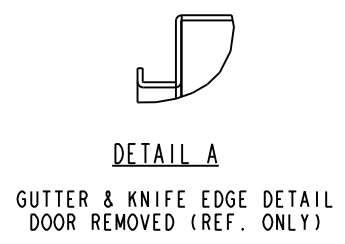
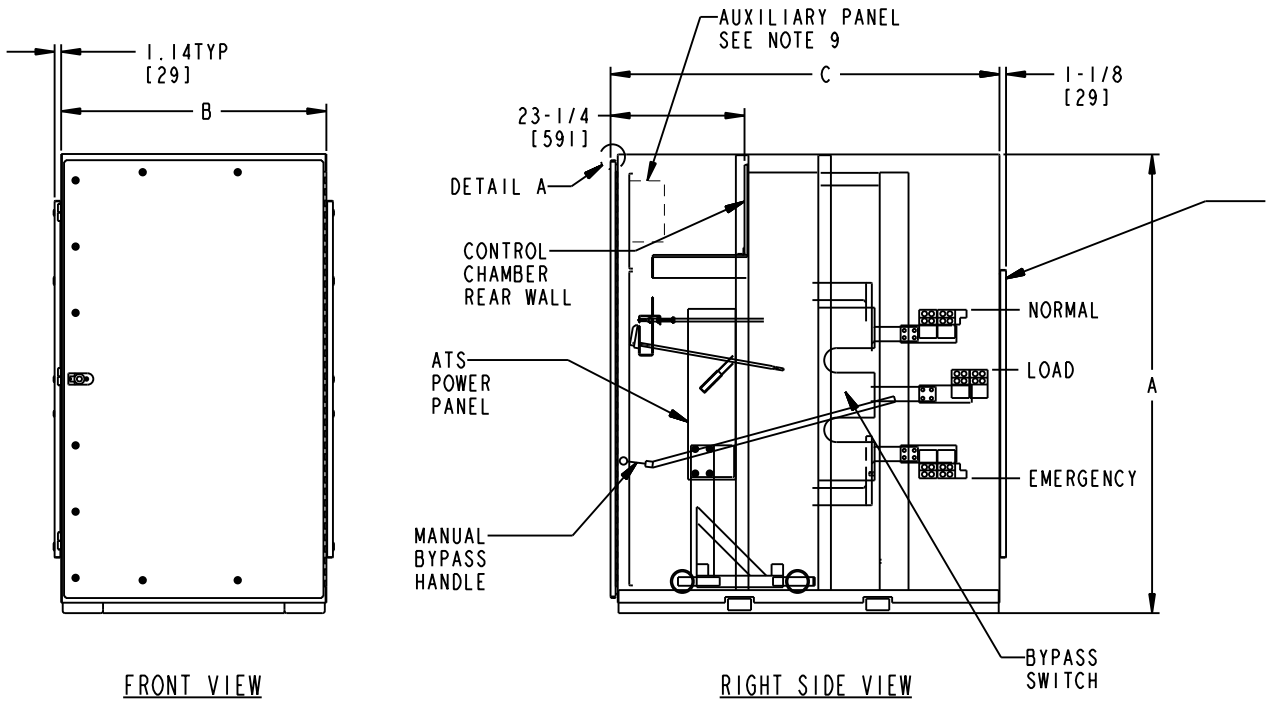
GE PROPRIETARY AND CONFIDENTIAL INFORMATION
 This document is the property of General Electric Company ("GE") and contains proprietary information of GE. This document is loaned on the express condition that neither it nor the information contained therein shall be disclosed to others without the express written consent of GE Industrial Systems, and that the information shall be used by the recipient only as approved expressly by GE Industrial Systems. This document shall be returned to GE upon its request. This document may be subject to certain restrictions under U.S. export control laws and regulations.

REVISIONS					
REV.	DESCRIPTION	DATE	APPROVED	BY	SA
B	S-8796	REvised	12/04/08	PK	SA
C	S-8863	REvised	05/22/09	SS	SA
D	S-8929	REvised	01/25/10	SS	SA
E	S-8971	UPDATED DWG FOR 2600A	05/19/10	YP	MAS

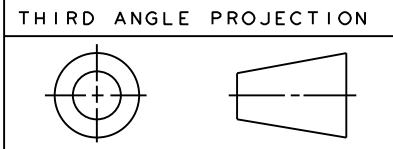
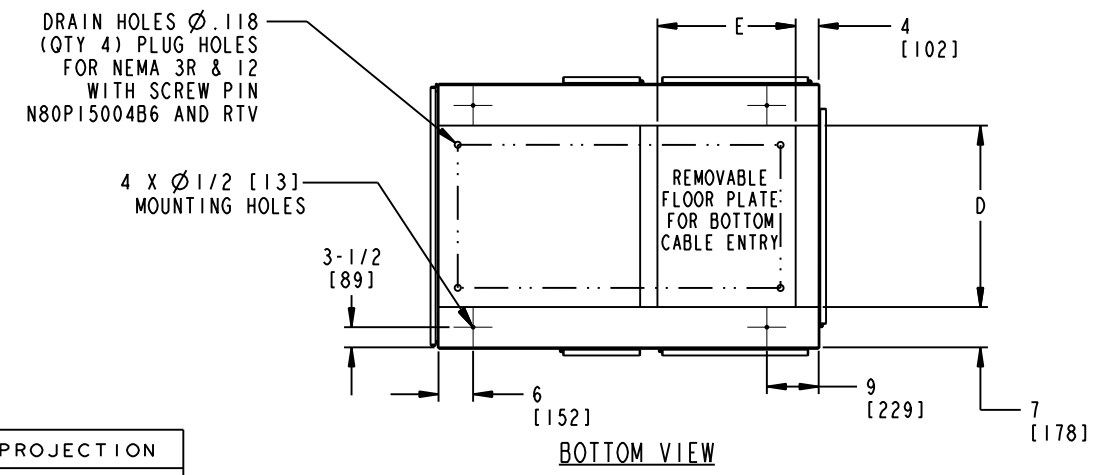


CABINET	CABINET DIMENSIONS						CABINET REFERENCE DRAWING
	A	B	C	D	E	F	ENCLOSURE KIT
3-POLE	75-5/8 [1921]	40-17/32 [1030]	67-17/32 [1715]	26 [660]	24 [610]	36-1/2 [927]	F-1978MP
4-POLE	75-5/8 [1921]	46-1/32 [1169]	67-17/32 [1715]	31-1/2 [800]	24 [610]	42 [1067]	F-1977MP

RECOMMENDED CLEARANCES			
CABINET	H(FRONT)	V(REAR)	W(SIDE)
3-POLE	40-5/32 [1020]	34-3/16 [868]	25-11/16 [652]
4-POLE	45-21/32 [1160]	39-11/16 [1008]	25-11/16 [652]



- NOTES:
- MATERIAL: 10 GA. STEEL .134(3) REF. UNLESS OTHERWISE NOTED
 - FINISH: PER F-7000.
 - LUGS SHOWN FOR TOP CABLE ENTRY MAY BE RESERVED FOR BOTTOM CABLE ENTRY. LUGS ARE SUPPLIED AS OPTION ONLY.
 - ALL DIMENSIONS ARE FOR REFERENCE ONLY AND SHOWN IN INCHES(MILLIMETERS).
 - ALL HANDLING AND MOVEMENT OF CABINET MUST BE DONE IN THE UPRIGHT POSITION ONLY.
 - ALL SIDE AND REAR DOOR/PANELS SHALL HAVE GUTTER AND KNIFE EDGE FLANGES. AND HAVE HINGES ON THE RIGHT HAND SIDE.
 - CONSTRUCTION PER UL-1008.
 - ACCESS TO SIDES AND REAR OF UNIT RECOMMENDED.
 - AUXILIARY PANEL SUPPLIED AS OPTIONAL ONLY.



Part must conform to SI 900000 Sect. 4, Toxicity Procedure

FOR ADDITIONAL INFO REFER TO:	SIGNATURES	DATE
APPLIED PRACTICES		
DIMENSIONS ARE IN INCHES UNLESS OTHERWISE SPECIFIED IN DRAWING		
TOLERANCE ON:		
1 PL DECIMALS ±0.0		
2 PL DECIMALS ±0.02		
3 PL DECIMALS ±0.005		
ANGLES ±1.0		
FRACTIONS ±		
FINISH		
CRITICAL TO QUALITY CHARACTERISTIC		

GE Zenith Controls

TRANSFER SWITCH - NEMA 3R, 4, 12 ENCL.

1600-3000 A

ZBTS(D/CT)

SIZE DRAWING: B 50C-2041 E

SCALE: 0.030 REF. No: SHEET 1 OF 4



GE PROPRIETARY AND CONFIDENTIAL INFORMATION
 This document is the property of General Electric Company ("GE") and contains proprietary information of GE. This document is loaned on the express condition that neither it nor the information contained therein shall be disclosed to others without the express written consent of GE Industrial Systems, and that the information shall be used by the recipient only as approved expressly by GE Industrial Systems. This document shall be returned to GE upon its request. This document may be subject to certain restrictions under U.S. export control laws and regulations.

REVISIONS					
REV.	DESCRIPTION	DATE	APPROVED		
B	S-8796	REVISED	12/04/08	PK	SA
C	S-8863	REVISED	05/22/09	SS	SA
D	S-8929	REVISED	01/25/10	SS	SA
E	S-8971	UPDATED DWG FOR 2600A	05/19/10	YP	MAS

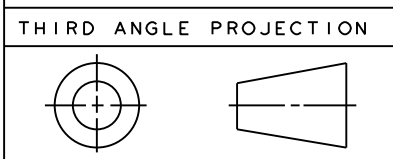
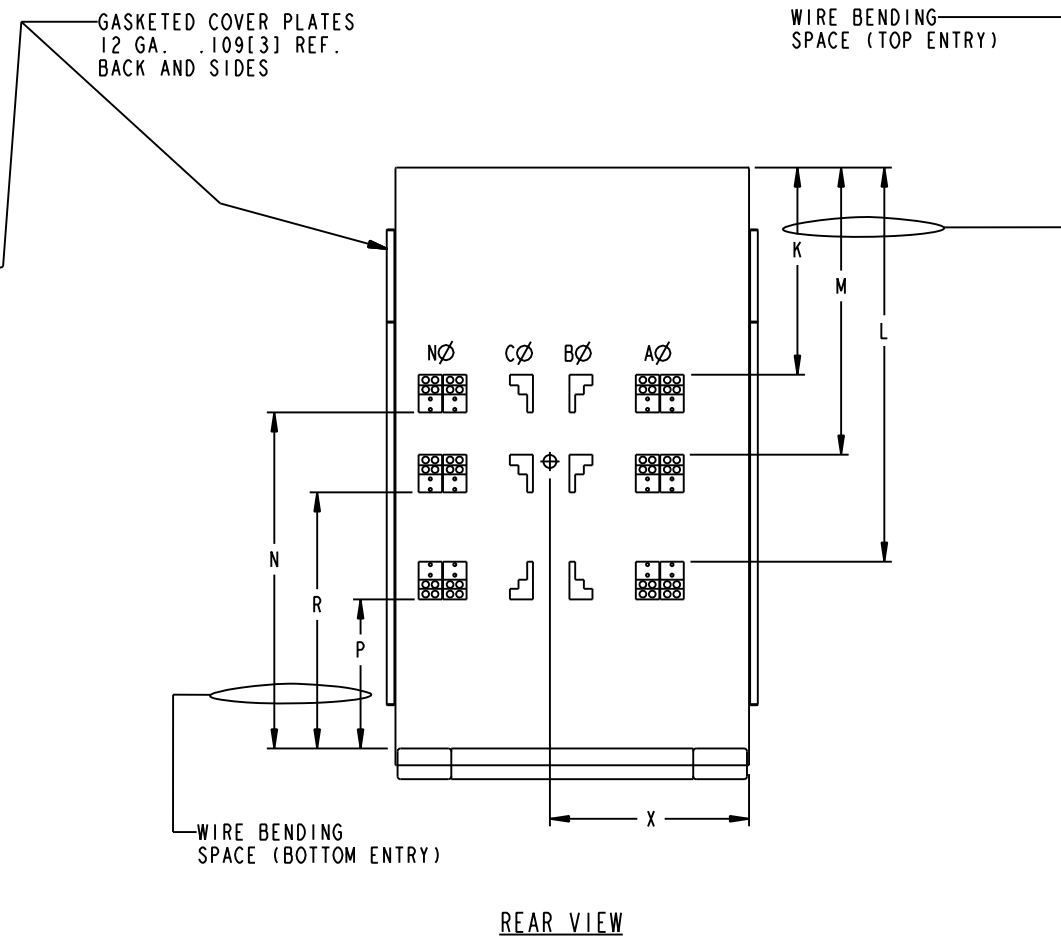
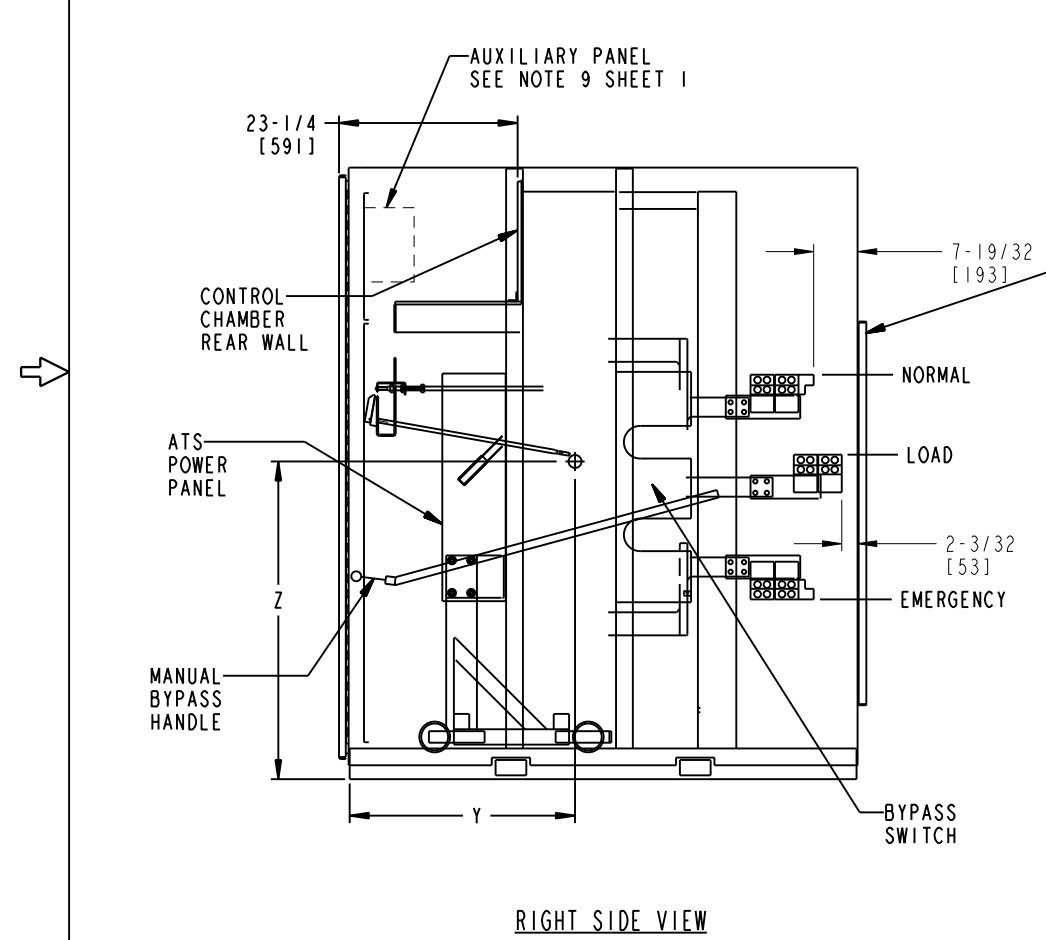
Z(B)TS(D/CT) SWITCH	CONTROLLER TYPE	CABINET	LUG RANGE	WIRE BENDING SPACE							
				TOP ENTRY			BOTTOM ENTRY			WIRE GUTTERS	
				K(NORM)	L(EMERG)	M(LOAD)	N(NORM)	P(EMERG)	R(LOAD)	S(LEFT)	T(RIGHT)
1600-2600 AMP	MX-250	3-POLE	(4 PORTS/LUG) #2-600 MCM (33-304mm ²)	26-31/32 [685]	51-5/16 [1303]	37-3/8 [949]	43-3/4 [1111]	19-13/32 [493]	33-11/32 [847]	2-3/4 [70]	8-7/32 [209]
		4-POLE		26-15/32 [673]	51-13/16 [1316]	36-7/8 [937]	44-1/4 [1124]	18-29/32 [480]	33-7/8 [860]	3-7/16 [87]	8-29/32 [226]
3-POLE		(4 PORTS/LUG) #4-750 MCM	26-31/32 [685]	48-3/16 [1224]	37-3/8 [949]	43-3/4 [1111]	22-13/32 [569]	33-11/32 [847]	2-3/4 [70]	8-7/32 [209]	
4-POLE			26-15/32 [673]	47-9/16 [1208]	36-7/8 [937]	44-1/4 [1124]	23-3/64 [585]	33-7/8 [860]	3-7/16 [87]	8-29/32 [226]	

CENTER OF GRAVITY					
ZBTS(D/CT) SWITCH	CABINET	X	Y	Z	WEIGHT LBS(KG)
1600 - 2600 AMP	3 POLE	20-5/32 [512]	32-1/8 [816]	37-11/32 [949]	3207 [1455]
	4 POLE	22-31/32 [583]	32-5/16 [821]	37-1/4 [946]	3629 [1646]
3000A	3 POLE	20-7/16 [519]	32-23/32 [831]	37-5/32 [944]	3645 [1653]
	4 POLE	23-9/32 [591]	31-3/8 [797]	37-7/32 [945]	4242 [1924]

IMPORTANT NOTE:
 LUGS ARE SUPPLIED AS OPTIONAL ACCESSORY ONLY. TYPICAL CONFIGURATION SHOWN FOR REFERENCE ONLY.

NOTES:

- ALL CABLE ENTRY IN REAR OF CABINET. NO CABLE ENTRY IN FRONT OF CABINET.
- WIRE BENDING AND GUTTER SPACES MEASURED AT POINT OF CONNECTION TO LUGS.
- LUGS SHOWN FOR TOP CABLE ENTRY MAY BE RESERVED FOR BOTTOM CABLE ENTRY. LUGS ARE SUPPLIED AS OPTION ONLY.
- ALL DIMENSIONS ARE FOR REFERENCE ONLY AND SHOWN IN INCHES(MILLIMETERS).



Part must conform to SI 900000 Sect. 4, Toxicity Procedure

FOR ADDITIONAL INFO REFER TO:	SIGNATURES	DATE
APPLIED PRACTICES		
DIMENSIONS ARE IN INCHES UNLESS OTHERWISE SPECIFIED IN DRAWING		
TOLERANCE ON: 1 PL DECIMALS ±0.0 2 PL DECIMALS ±0.02 3 PL DECIMALS ±0.005 ANGLES ±1.0		
FRACTIONS ±		
FINISH		
CRITICAL TO QUALITY CHARACTERISTIC		

GE Zenith Controls

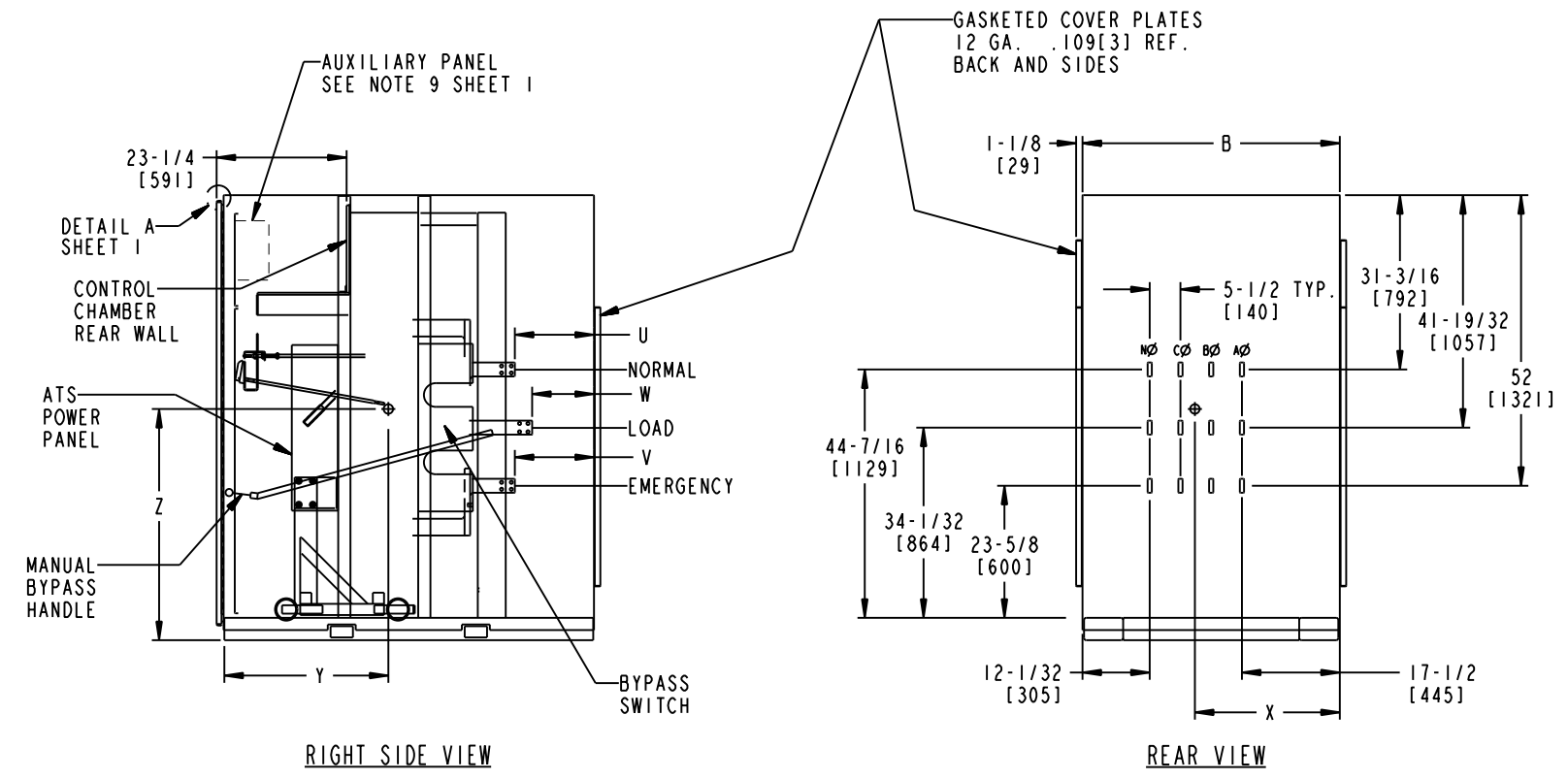
TRANSFER SWITCH - NEMA 3R, 4, 12 ENCL.
1600-3000 A
ZBTS(D/CT)

SIZE DRAWING **50C-2041 E** REV

SCALE: 0.040 REF. No: SHEET 2 OF 4

GE PROPRIETARY AND CONFIDENTIAL INFORMATION
 This document is the property of General Electric Company ("GE") and contains proprietary information of GE. This document is loaned on the express condition that neither it nor the information contained therein shall be disclosed to others without the express written consent of GE Industrial Systems, and that the information shall be used by the recipient only as approved expressly by GE Industrial Systems. This document shall be returned to GE upon its request. This document may be subject to certain restrictions under U.S. export control laws and regulations.

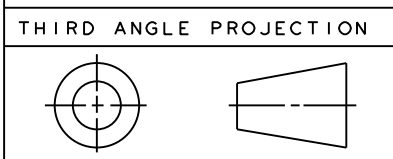
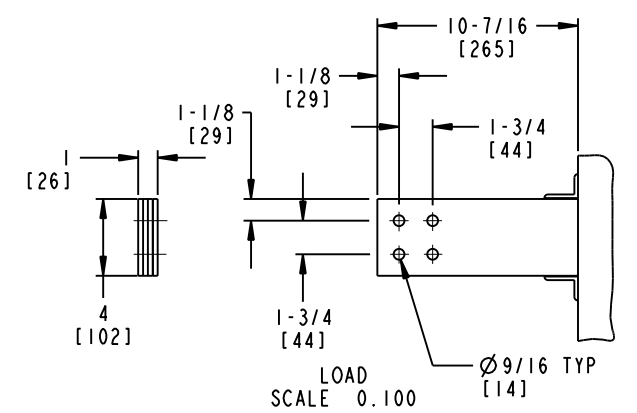
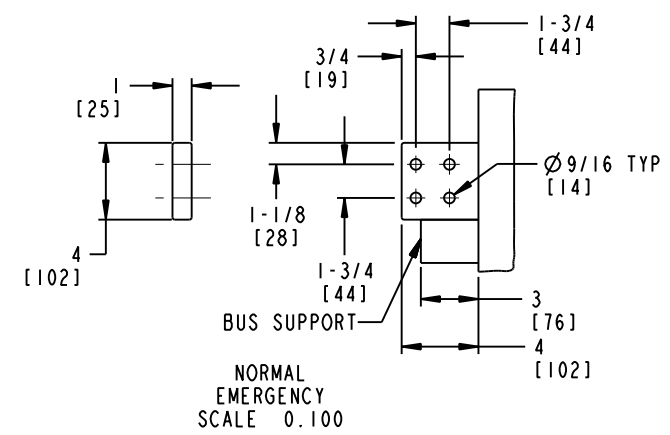
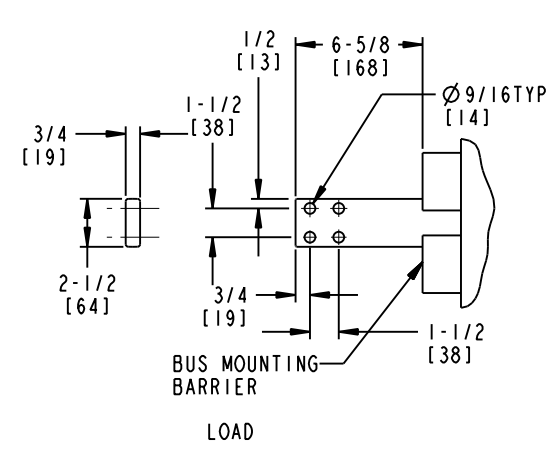
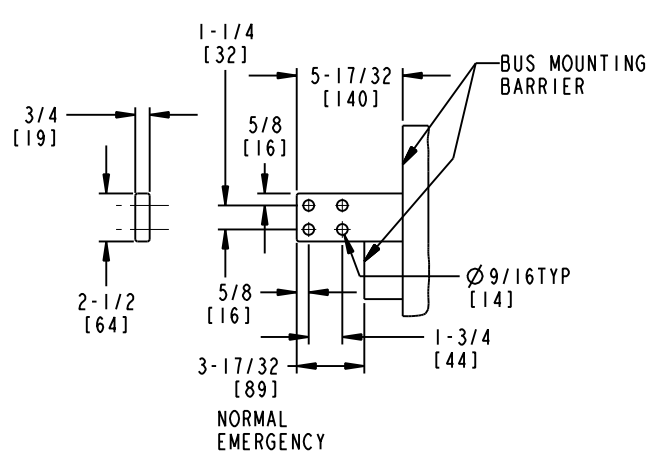
REVISIONS					
REV.	DESCRIPTION	DATE	APPROVED	BY	SA
B	S-8796	REVISED	12/04/08	PK	SA
C	S-8863	REVISED	05/22/09	SS	SA
D	S-8929	REVISED	01/25/10	SS	SA
E	S-8971	UPDATED DWG FOR 2600A	05/19/10	YP	MAS



ZBTS(D/CT) SWITCH	CONTROLLER TYPE	CABINET	U(NORM)	V(EMERG)	W(LOAD)
1600-2600 AMP	MX-250	3-POLE	14-5/32 [360]	14-5/32 [360]	11-1/16 [281]
		4-POLE			
3000 AMP	MX-250	3-POLE	18-5/8 [473]	18-5/8 [473]	12-7/32 [310]
		4-POLE			

ZBTS(D/CT) SWITCH	CENTER OF GRAVITY				WEIGHT LBS[KG]
	CABINET	X	Y	Z	
1600-2600 AMP	3-POLE	20 [508]	30-9/16 [776]	37-11/32 [949]	2984 [1354]
	4-POLE	22-7/8 [581]	30-19/32 [777]	37-7/32 [945]	3346 [1518]
3000 AMP	3-POLE	20-9/32 [515]	31-1/16 [789]	37-3/32 [942]	3301 [1497]
	4-POLE	23-1/8 [587]	31-5/32 [791]	37-5/32 [944]	3801 [1724]

ALL DIMENSIONS ARE FOR REFERENCE ONLY AND SHOWN IN INCHES [MILLIMETERS]



Part must conform to SI 900000 Sect. 4, Toxicity Procedure

FOR ADDITIONAL INFO REFER TO:	SIGNATURES	DATE
APPLIED PRACTICES		
DIMENSIONS ARE IN INCHES UNLESS OTHERWISE SPECIFIED IN DRAWING		
TOLERANCE ON: 1 PL DECIMALS ±0.0 2 PL DECIMALS ±0.02 3 PL DECIMALS ±0.005 ANGLES ±1.0		
FRACTIONS ±		
FINISH		
CRITICAL TO QUALITY CHARACTERISTIC		
SOLID MODEL: 50C-2041		

GE Zenith Controls

TRANSFER SWITCH - NEMA 3R, 4, 12 ENCL.

1600-3000 A

ZBTS(D/CT)

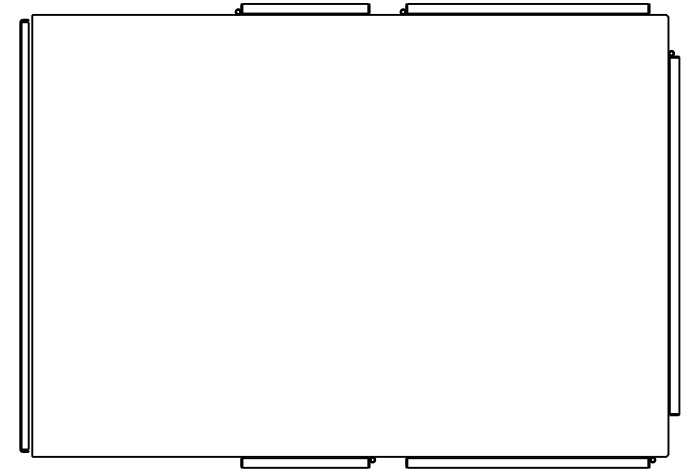
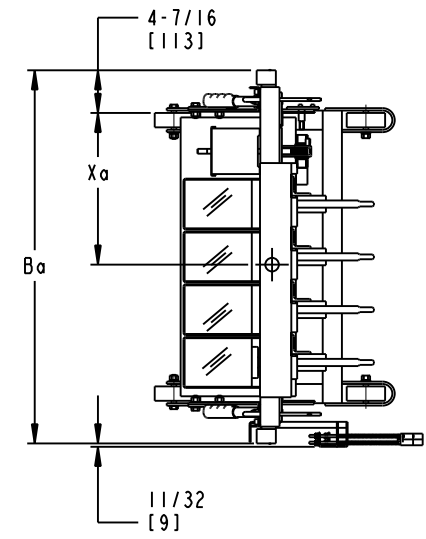
SIZE DRAWING B

50C-2041 E

SCALE: 0.030 REF. No. SHEET 3 OF 4

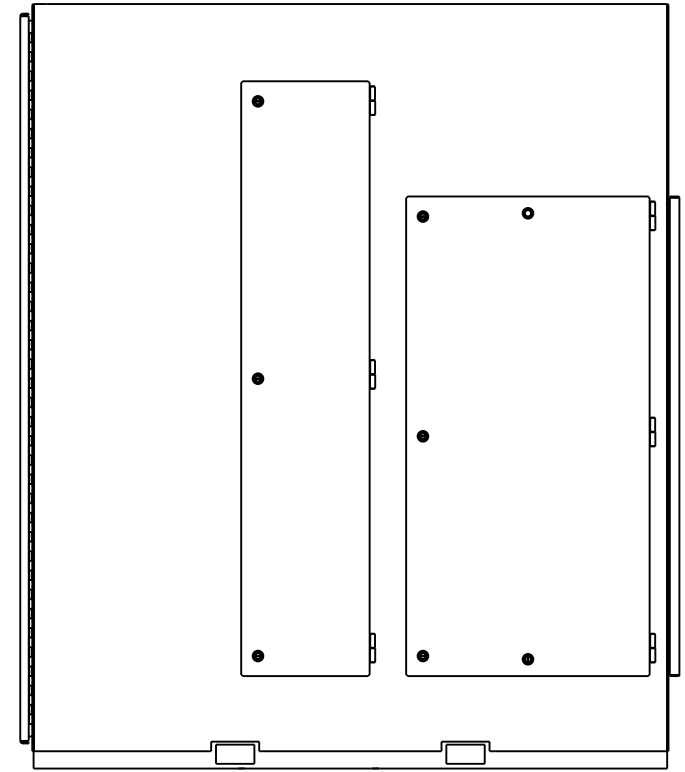
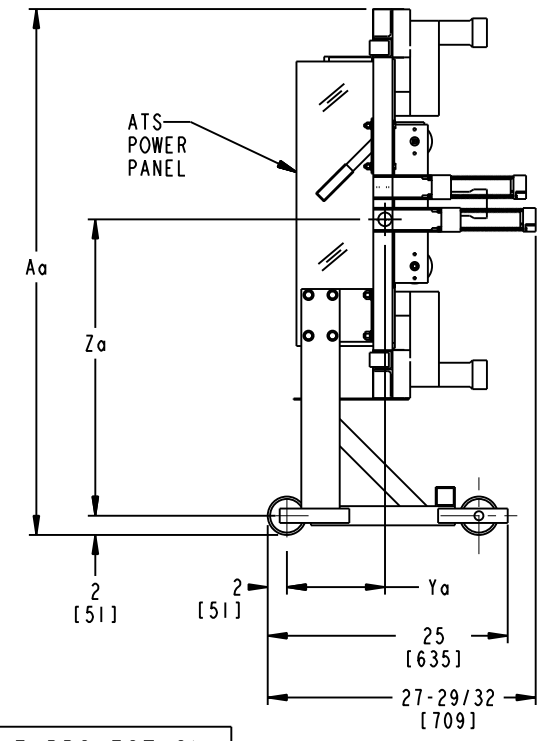
GE PROPRIETARY AND CONFIDENTIAL INFORMATION
 This document is the property of General Electric Company ("GE") and contains proprietary information of GE. This document is loaned on the express condition that neither it nor the information contained therein shall be disclosed to others without the express written consent of GE Industrial Systems, and that the information shall be used by the recipient only as approved expressly by GE Industrial Systems. This document shall be returned to GE upon its request. This document may be subject to certain restrictions under U.S. export control laws and regulations.

REVISIONS				
REV.	DESCRIPTION	DATE	APPROVED	
B	S-8796	REVISED	12/04/08	PK SA
C	S-8863	REVISED	05/22/09	SS SA
D	S-8929	REVISED	01/25/10	SS SA
E	S-8971	UPDATED DWG FOR 2600A	05/19/10	YP MAS

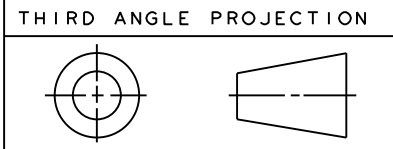


ATS POWER PANEL WITH CART DIMENSIONS			
ZBTS(D/CT) SWITCH	POLES	Aa	Ba
1600-2600 AMP	3-POLE	54-25/32 [1391]	33-3/8 [848]
	4-POLE	54-25/32 [1391]	38-7/8 [987]
3000 AMP	3-POLE	56-5/8 [1438]	33-3/8 [848]
	4-POLE	56-5/8 [1438]	38-7/8 [987]

CENTER OF GRAVITY OF ATS POWER PANEL WITH CART					
ZBTS(D/CT) SWITCH	POLES	Xa	Ya	Za	WEIGHT LBS(KG)
1600-2600 AMP	3-POLE	13 [330]	10-1/8 [257]	29-17/32 [750]	559 [253]
	4-POLE	15-13/16 [402]	10-7/32 [260]	29-7/8 [759]	683 [310]
3000 AMP	3-POLE	13-15/32 [342]	11-5/8 [295]	30-7/32 [767]	725 [329]
	4-POLE	16-9/32 [414]	11-13/16 [300]	30-17/32 [775]	904 [410]



ALL DIMENSIONS ARE FOR REFERENCE ONLY AND SHOWN IN INCHES [MILLIMETERS]



ATS POWER PANEL SHOWN OUT-SIDE THE ENCLOSURE

Part must conform to SI 900000 Sect. 4, Toxicity Procedure

FOR ADDITIONAL INFO REFER TO:	SIGNATURES	DATE
APPLIED PRACTICES		
DIMENSIONS ARE IN INCHES UNLESS OTHERWISE SPECIFIED IN DRAWING		
TOLERANCE ON:		
1 PL DECIMALS ±0.0		
2 PL DECIMALS ±0.02		
3 PL DECIMALS ±0.005		
ANGLES ±1.0		
FRACTIONS ±		
FINISH		
CRITICAL TO QUALITY CHARACTERISTIC		

GE Zenith Controls

TRANSFER SWITCH - NEMA 3R, 4, 12 ENCL.
1600-3000 A
ZBTS(D/CT)

SIZE DRAWING: B 50C-2041 REV E

SCALE: 0.050 REF. No: SHEET 4 OF 4