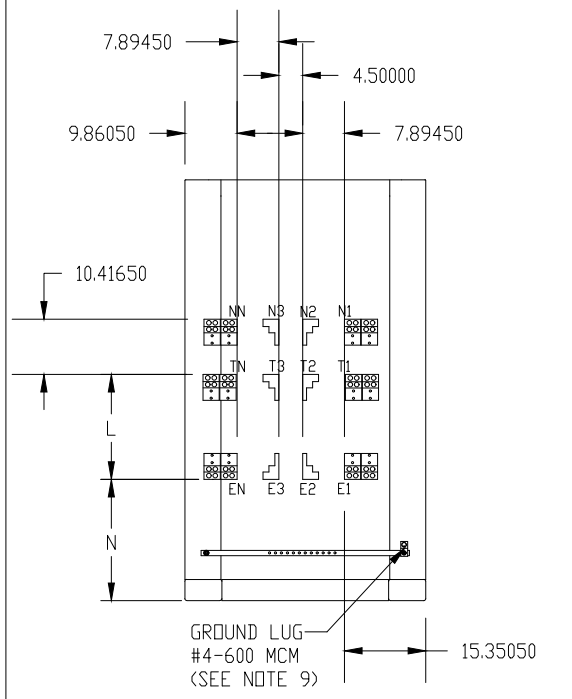
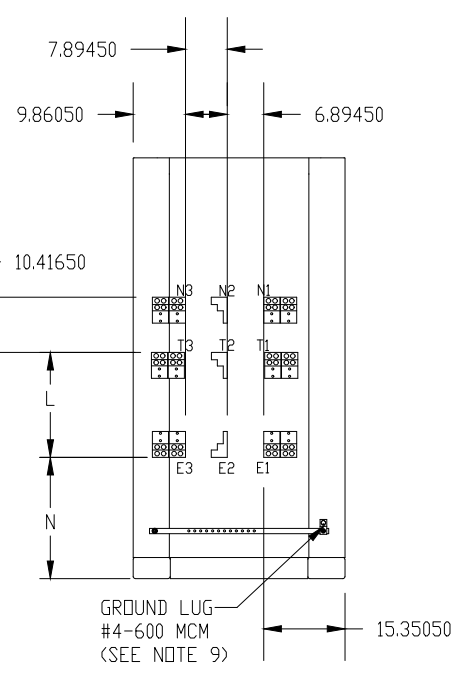
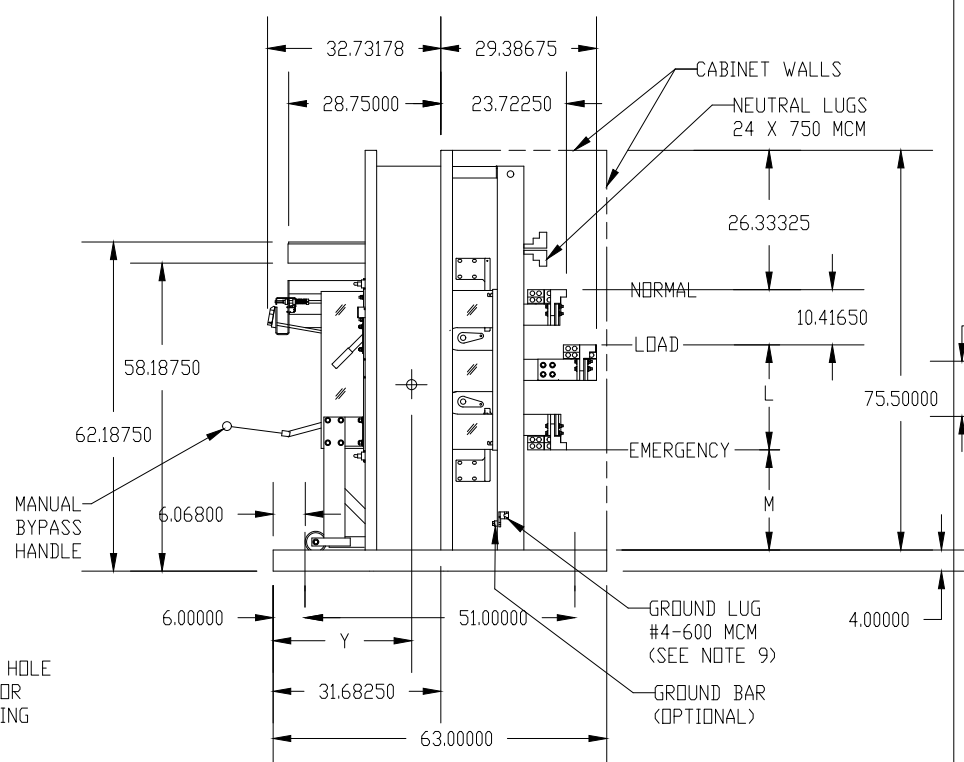
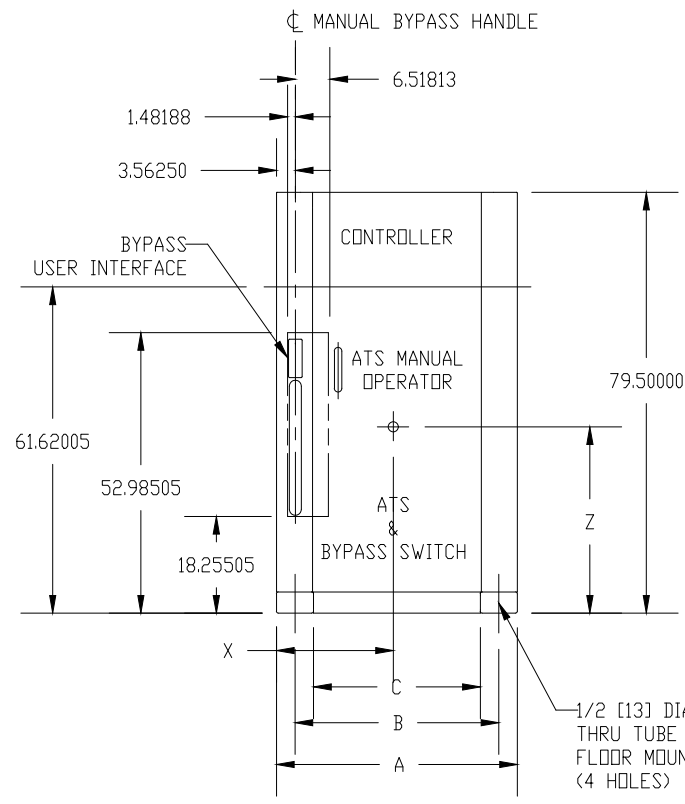


ABB PROPRIETARY AND CONFIDENTIAL INFORMATION
 The information contained in the document has to be kept strictly confidential.
 Any unauthorized use, reproduction, distribution or disclosure to third parties is strictly forbidden.
 ABB reserves all rights regarding intellectual Property Rights.
 Copyright 2018 ABB. All rights reserved

REVISIONS			
REV.	DESCRIPTION	DATE	APPROVED
1	C076901 UPDATED REBRANDING	09/20/19	AR MAS



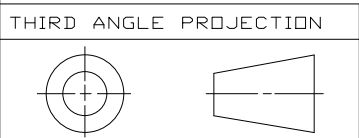
# OF POLES	A	B	C
3-POLE	40 [1016]	33 [838]	26 [660]
4-POLE	45-1/2 [1156]	38-1/2 [978]	31-1/2 [800]

CENTER OF GRAVITY				WEIGHT LBS [KG]
# OF POLES	X	Y	Z	
3 POLE	20-5/8 [524]	31-5/32 [791]	34-3/8 [873]	2866 [1300]
4 POLE	23-1/2 [597]	31-11/32 [796]	34-19/32 [878]	3225 [1463]

3000A	4 PORTS/LUG	LUG SIZE	L	M	N
		#2- 600 MCM (33-304mm)	19-27/32 [504]	18-29/32 [480]	22-29/32 [582]
		#4- 750 MCM	15-11/16 [398]	23-3/64 [585]	27-3/64 [687]

TOTAL 8 PORTS FOR THE STANDARD OFFERING

- NOTES:
- THE LOCATION OF THE USER INTERFACE WINDOW WITH RELATION TO THE DIMENSIONS OF THE OPEN STYLE BYPASS SWITCH ARE CRITICAL TO THE ALIGNMENT OF THE MANUAL BYPASS HANDLE.
 - SEE SHEET 3 FOR CONTROL CHAMBER MOUNTING DIMENSIONS. SEE SHEET 4 FOR RECOMMENDED DOOR MODIFICATIONS.
 - ACCESS TO SIDES AND REAR OF UNIT RECOMMENDED.
 - RUN ALL CABLES IN REAR OF ENCLOSURE. NO CABLE ENTRY IN FRONT OF ENCLOSURE.
 - ATS DRAWS OUT TOWARD FRONT OF ENCLOSURE.
 - MAINTAIN ELECTRICAL CLEARANCE OF 1" (25mm) MINIMUM BETWEEN LIVE METAL PARTS AND GROUNDED METAL.
 - CUSTOMERS CUBICLE MUST INCLUDE A TWO DOOR FRONT.
 - LUGS MAY BE ORIENTED TO ACCEPT CABLING FROM TOP AS WELL AS BOTTOM ENTRY. LUGS ARE SUPPLIED AS OPTION ONLY.
 - GROUND LUG WILL BE PROVIDED IF THE GROUND BAR IS NOT REQUESTED.
 - PRODUCT HAS TO BE MOVED ONLY BY USING APPROPRIATE LIFTING TRUCKS.
 - ALL DIMENSIONS ARE FOR REFERENCE ONLY AND SHOWN IN INCHES [MILLIMETERS].
 - AUXILIARY PANEL SUPPLIED AS OPTIONAL ONLY.



Part must conform to SI 900000 Sect. 4, Toxicity Procedure

FOR ADDITIONAL INFO REFER TO:	SIGNATURES	DATE
APPLIED PRACTICES	MODEL	SS 09/23/08
DIMENSIONS ARE IN INCHES	DETAIL	SS 09/23/08
UNLESS OTHERWISE SPECIFIED IN	CHECKED	SA 09/23/08
TOLERANCE DRAWING	ENGRG	SA 09/23/08
1 PL DECIMALS ± 0.0	MFG	.
2 PL DECIMALS ± 0.02	QUALITY	.
3 PL DECIMALS ± 0.005	ISSUED	.
ANGLES ± 1.0	SOLID MODEL: 50C-2042	
FRACTIONS ±		
FINISH		
CRITICAL TO QUALITY CHARACTERISTIC		

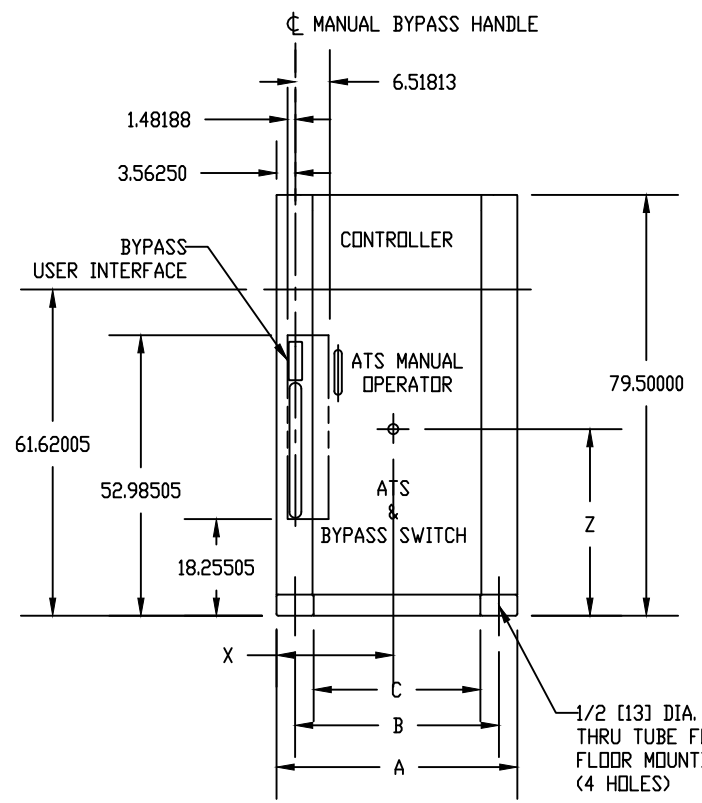
ABB

TITLE BYPASS SWITCH - REAR LUGS
3000A
ZBTS(D/CT)

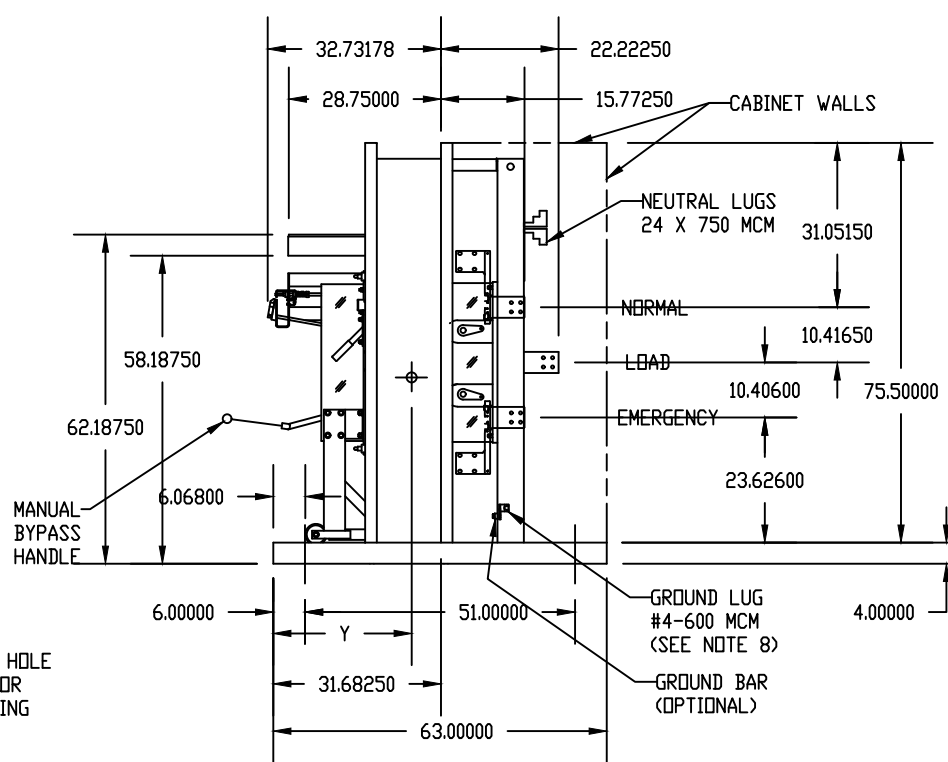
SIZE B DRAWING 50C-2042 REV 1

SCALE: 0.030 REF. No: SHEET 1 OF 5

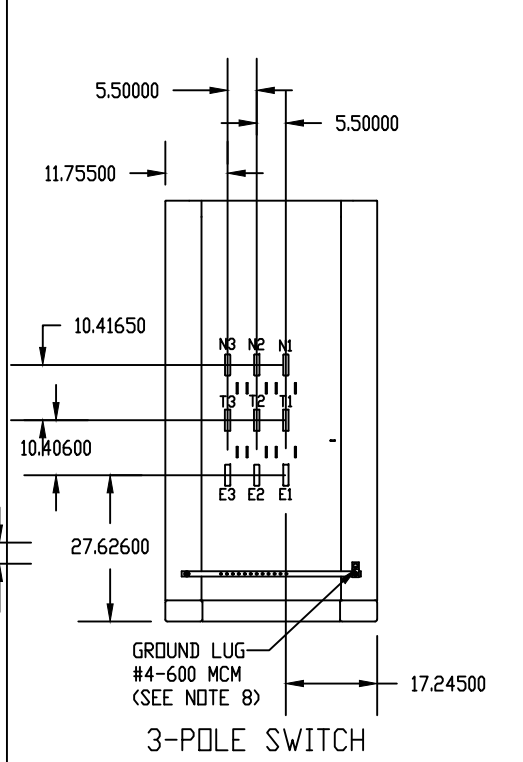
ABB PROPRIETARY AND CONFIDENTIAL INFORMATION
 The information contained in the document has to be kept strictly confidential.
 Any unauthorized use, reproduction, distribution or disclosure to third parties is strictly forbidden.
 ABB reserves all rights regarding intellectual Property Rights.
 Copyright 2018 ABB. All rights reserved



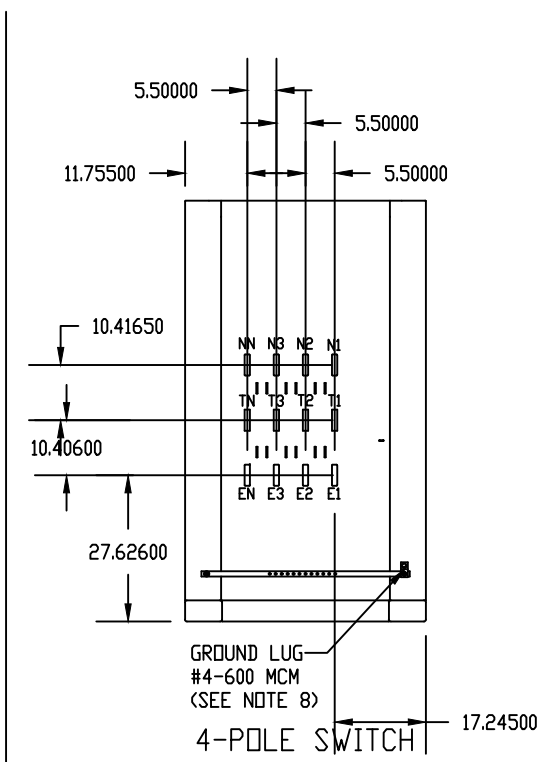
FRONT VIEW



RIGHT SIDE VIEW



BUS DETAILS (REAR VIEW)
3-POLE SWITCH



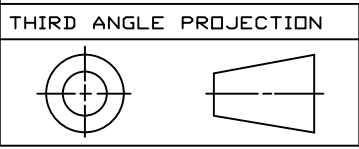
BUS DETAILS (REAR VIEW)
4-POLE SWITCH

CENTER OF GRAVITY					
AMPS	POLE	A	B	C	WEIGHT LBS [KG]
3000A	3 POLE	40 [1016]	33 [838]	26 [660]	2522 [1144]
	4 POLE	45-1/2 [1156]	38-1/2 [978]	31-1/2 [800]	2783 [1262]

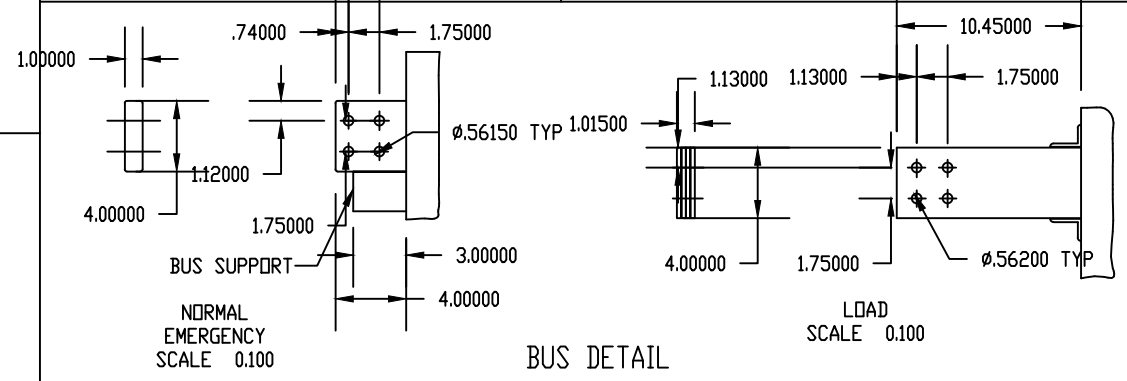
AMPS	POLE	X	Y	Z	WEIGHT LBS [KG]
3000A	3 POLE	20-7/16 [519]	28-27/32 [733]	33-29/32 [861]	2522 [1144]
	4 POLE	23-9/32 [591]	28-15/16 [735]	34-3/16 [868]	2783 [1262]

NOTES:

1. THE LOCATION OF THE USER INTERFACE WINDOW WITH RELATION TO THE DIMENSIONS OF THE OPEN STYLE BYPASS SWITCH ARE CRITICAL TO THE ALIGNMENT OF THE MANUAL BYPASS HANDLE.
2. SEE SHEET 3 FOR CONTROL CHAMBER MOUNTING DIMENSIONS. SEE SHEET 4 FOR RECOMMENDED DOOR MODIFICATIONS.
3. ACCESS TO SIDES AND REAR OF UNIT RECOMMENDED.
4. RUN ALL CABLES IN REAR OF ENCLOSURE. NO CABLE ENTRY IN FRONT OF ENCLOSURE.
5. ATS DRAWS OUT TOWARD FRONT OF ENCLOSURE.
6. MAINTAIN ELECTRICAL CLEARANCE OF 1" (25mm) MINIMUM BETWEEN LIVE METAL PARTS AND GROUNDED METAL.
7. CUSTOMERS CUBICLE MUST INCLUDE A TWO DOOR FRONT.
8. GROUND LUG WILL BE PROVIDED IF THE GROUND BAR IS NOT REQUESTED.
9. PRODUCT HAS TO BE MOVED ONLY BY USING APPROPRIATE LIFTING TRUCKS.
10. ALL DIMENSIONS ARE FOR REFERENCE ONLY AND SHOWN IN INCHES (MILLIMETERS).
11. AUXILIARY PANEL SUPPLIED AS OPTIONAL ONLY.



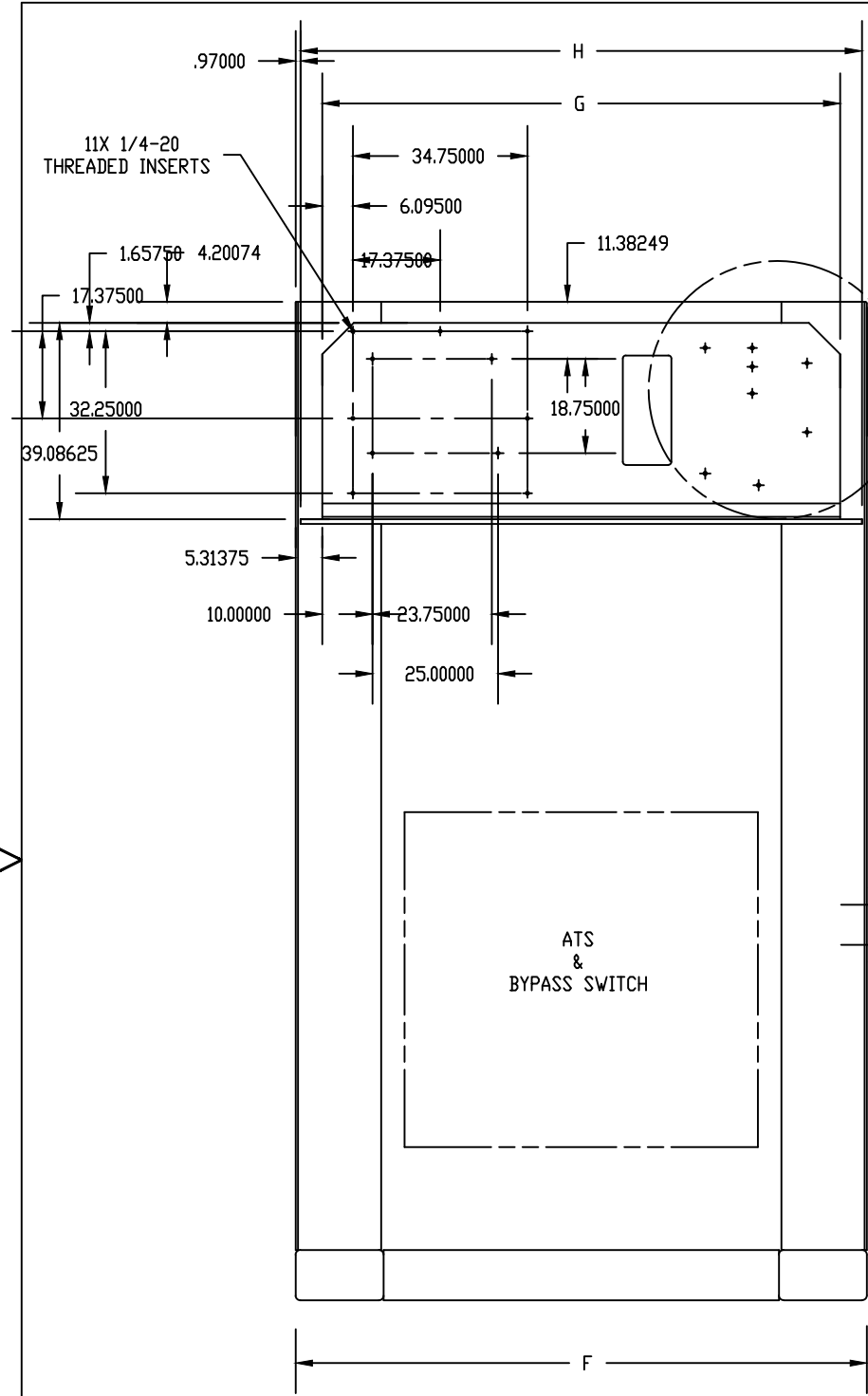
Part must conform to SI 900000 Sect. 4, Toxicity Procedure



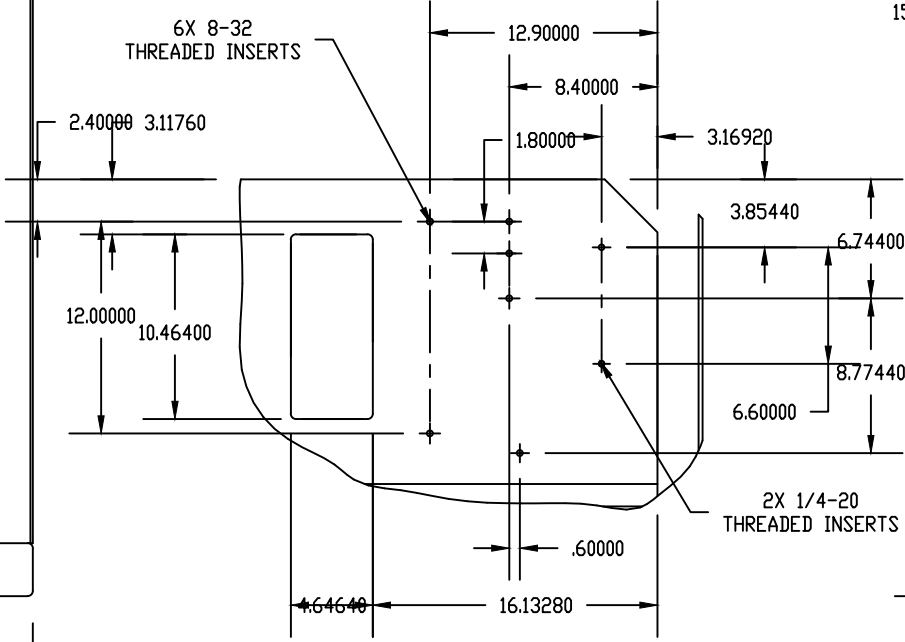
BUS DETAIL

FOR ADDITIONAL INFO REFER TO: APPLIED PRACTICES	SIGNATURES	DATE	ABB	TITLE BYPASS SWITCH - REAR BUS 3000A ZBTS(D/CT)
DIMENSIONS ARE IN INCHES UNLESS OTHERWISE SPECIFIED IN TOLERANCE DRAWING	MODEL	SS 09/23/08		
1 PL DECIMALS ± 0.0	DETAIL	SS 09/23/08		
2 PL DECIMALS ± 0.02	CHECKED	SA 09/23/08		
3 PL DECIMALS ± 0.005	ENGRG	SA 09/23/08		
ANGLES ± 1.0	MFG	.	SIZE	DRAWING
FRACTIONS ±	QUALITY	.	B	50C-2042
FINISH	ISSUED	.	SCALE: 0.030	REF. No: .
CRITICAL TO QUALITY CHARACTERISTIC	SOLID MODEL: 50C-2042_3P			REV 1
				SHEET 2 OF 5

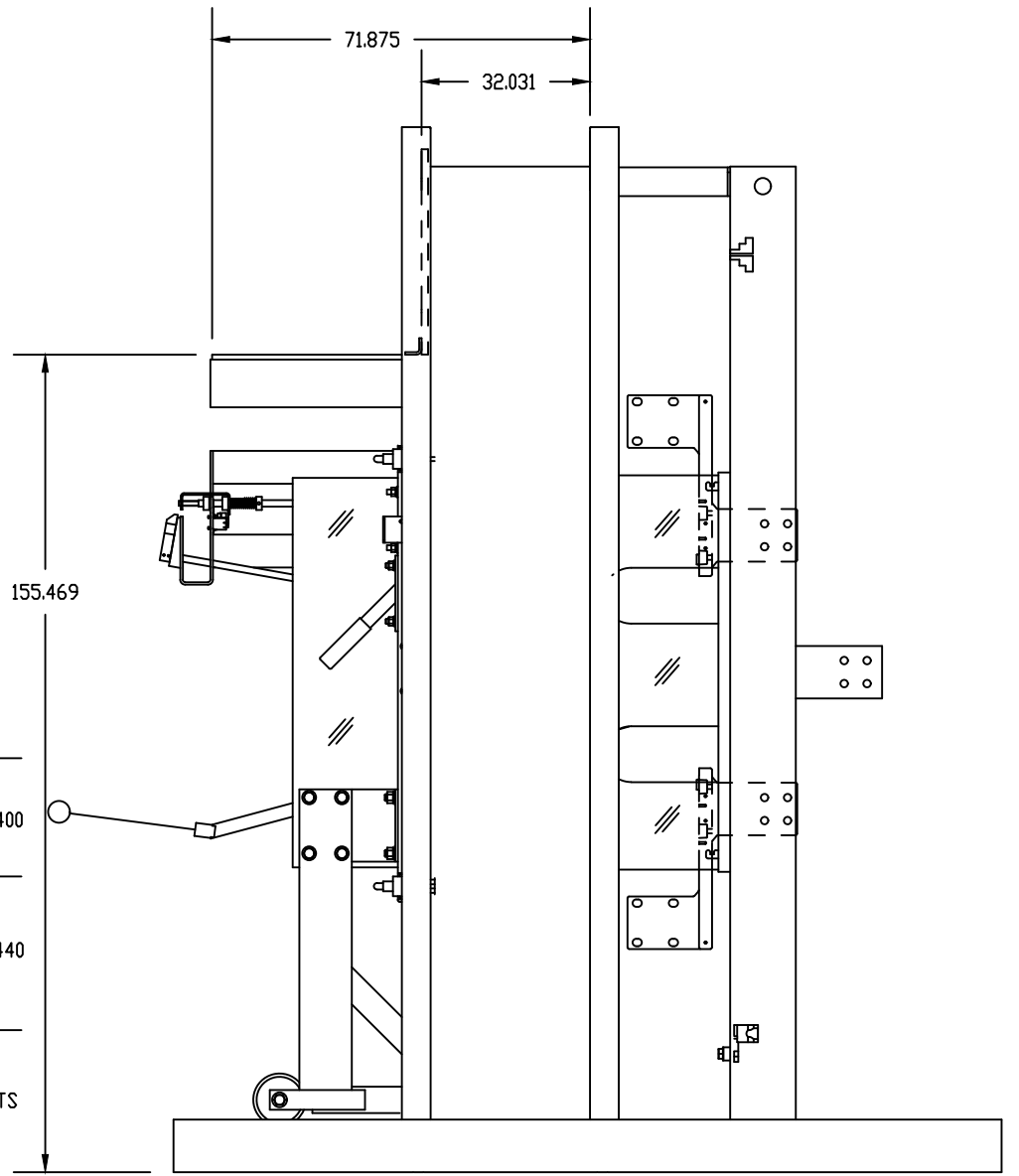
ABB PROPRIETARY AND CONFIDENTIAL INFORMATION
 The information contained in the document has to be kept strictly confidential.
 Any unauthorized use, reproduction, distribution or disclosure to third parties is strictly forbidden.
 ABB reserves all rights regarding intellectual Property Rights.
 Copyright 2018 ABB. All rights reserved



FRONT VIEW

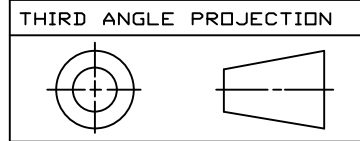


DETAIL B
SCALE 0.120



RIGHT SIDE VIEW

ALL DIMENSIONS ARE FOR REFERENCE ONLY
AND SHOWN IN INCHES [MILLIMETERS]



AMPS	POLES	F	G	H
3000A	3 POLE	40.0 [1016]	35.8 [908]	39.2 [996]
	4 POLE	45.5 [1156]	41.3 [1048]	44.7 [1136]

Part must conform to SI 900000
Sect. 4, Toxicity Procedure

FOR ADDITIONAL INFO REFER TO:	SIGNATURES	DATE
APPLIED PRACTICES	MODEL	SS 09/23/08
DIMENSIONS ARE IN INCHES	DETAIL	SS 09/23/08
UNLESS OTHERWISE SPECIFIED IN	CHECKED	SA 09/23/08
TOLERANCE DRAWING	ENGRG	SA 09/23/08
1 PL DECIMALS ± 0.0	MFG	.
2 PL DECIMALS ± 0.02	QUALITY	.
3 PL DECIMALS ± 0.005	ISSUED	.
ANGLES ± 1.0	SOLID MODEL: 50C-2042_CC	
FRACTIONS ±		
FINISH		
CRITICAL TO QUALITY CHARACTERISTIC		

ABB

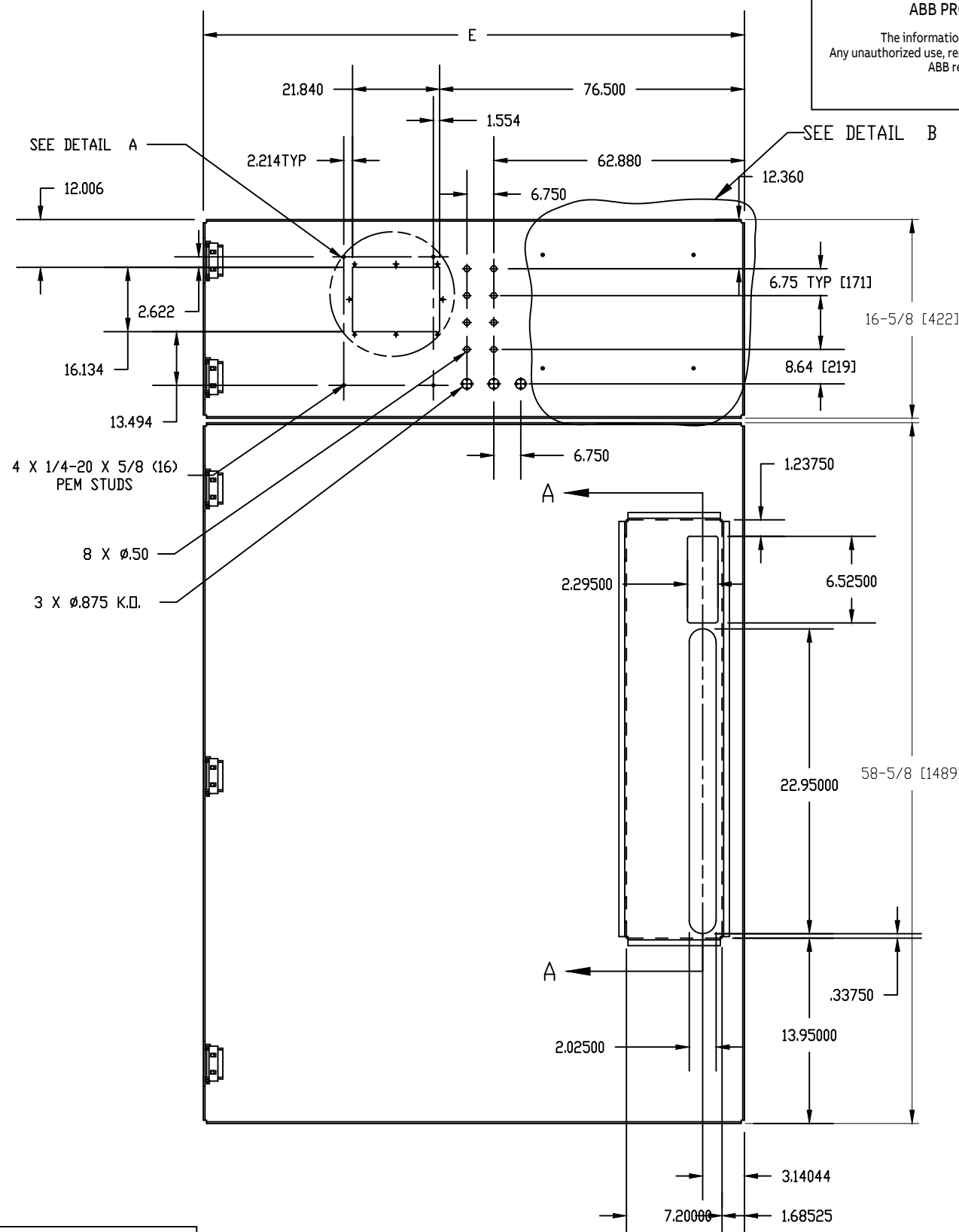
TITLE: BYPASS SWITCH - CONTROL CHAMBER
1600-3000A
ZBTS(D/CT)

SIZE	DRAWING	REV
B		1

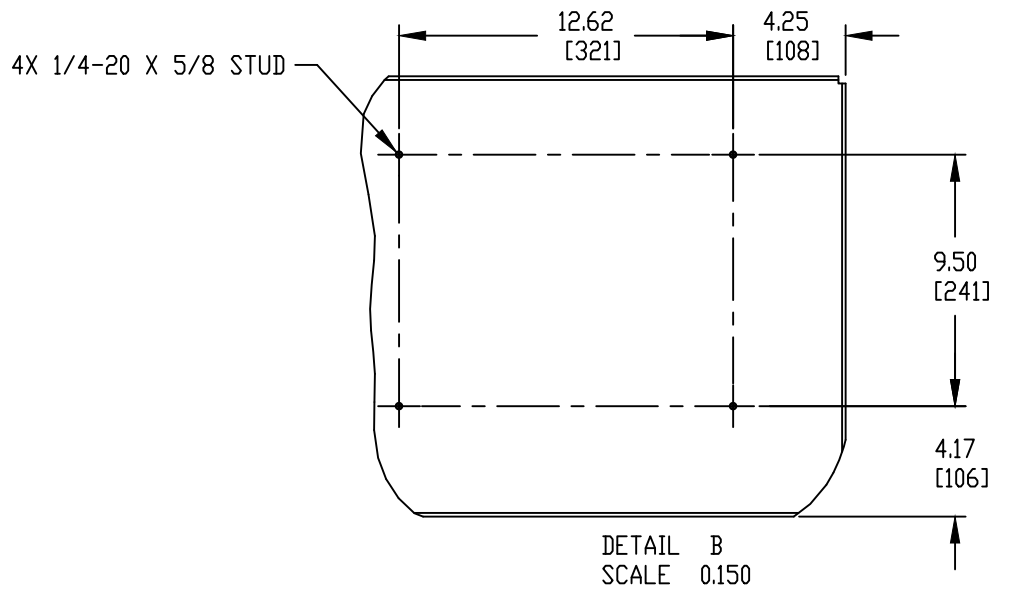
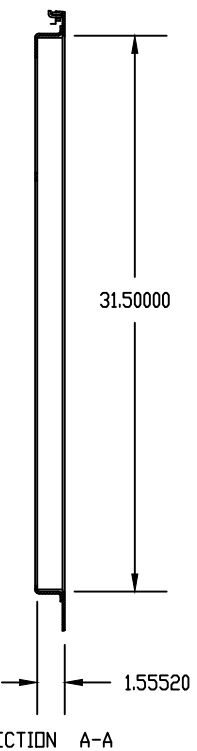
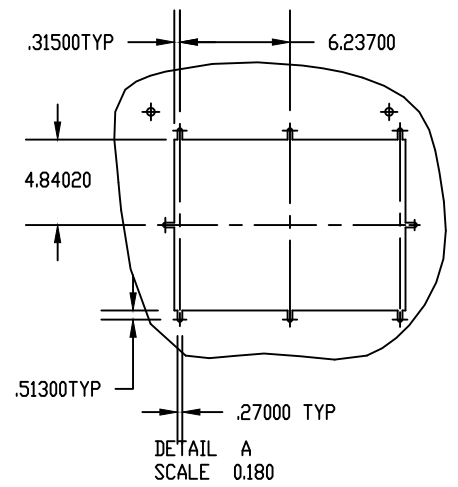
SCALE: 0.075 REF. No: SHEET 3 OF 5



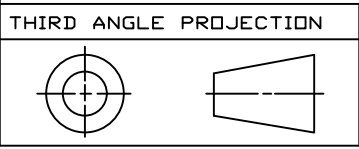
ABB PROPRIETARY AND CONFIDENTIAL INFORMATION
 The information contained in the document has to be kept strictly confidential.
 Any unauthorized use, reproduction, distribution or disclosure to third parties is strictly forbidden.
 ABB reserves all rights regarding intellectual Property Rights.
 Copyright 2018 ABB. All rights reserved



# OF POLES	E
3 POLE	45.26 [1150]
4 POLE	39.76 [1010]




ALL DIMENSIONS ARE FOR REFERENCE ONLY AND SHOWN IN INCHES [MILLIMETERS]



RECOMMENDED BYPASS SWITCH DOOR MODIFICATIONS (CUSTOMER SUPPLIED) INSIDE VIEW

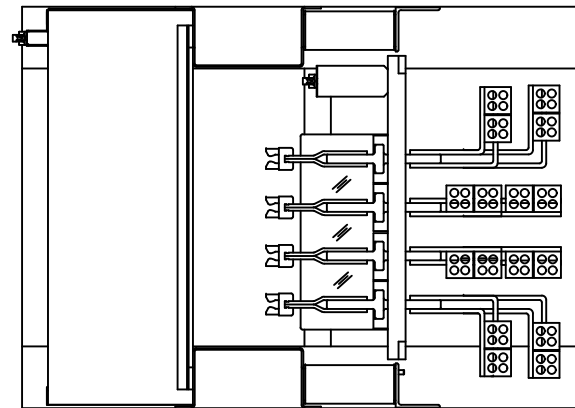
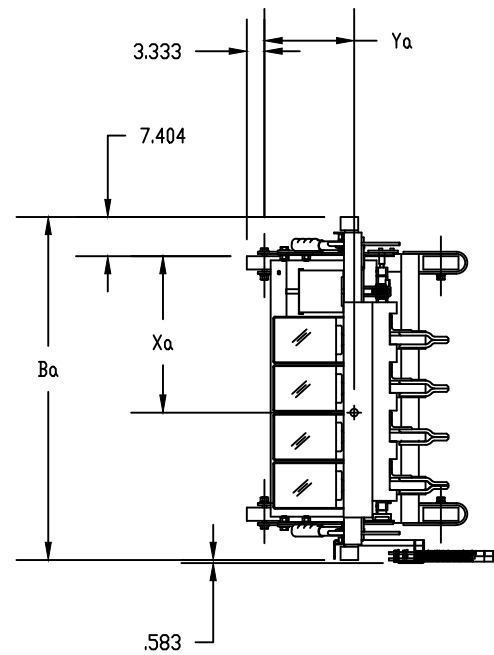
Part must conform to SI 900000 Sect. 4, Toxicity Procedure

FOR ADDITIONAL INFO REFER TO: APPLIED PRACTICES DIMENSIONS ARE IN INCHES UNLESS OTHERWISE SPECIFIED IN TOLERANCE DRAWING 1 PL DECIMALS ± 0.0 2 PL DECIMALS ± 0.02 3 PL DECIMALS ± 0.005 ANGLES ± 1.0 FRACTIONS ± FINISH CRITICAL TO QUALITY CHARACTERISTIC	SIGNATURES	DATE	 TITLE BYPASS SWITCH DOOR MODIFICATIONS 1600-3000 A ZBTS(D/CT)
	MODEL SA	09/18/2008	
	DETAIL SA	09/18/2008	
	CHECKED	.	
	ENGRG	.	
MFG	.		
QUALITY	.		
ISSUED	.		
SOLID MODEL: 90C-1000_DOORMOD	SIZE B	DRAWING	50C-2042
	SCALE: 0.090	REF. No: .	REV 1
			SHEET 4 OF 5

↓

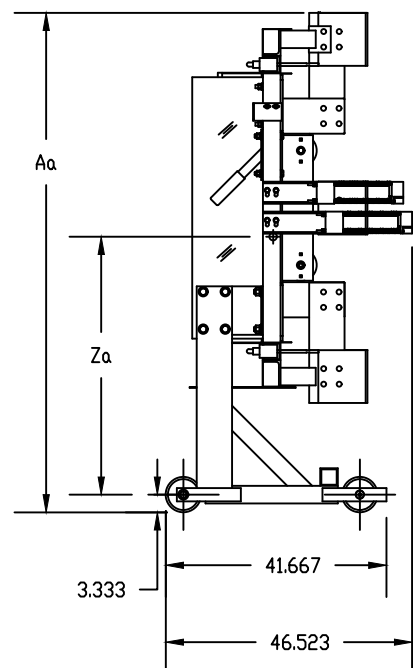
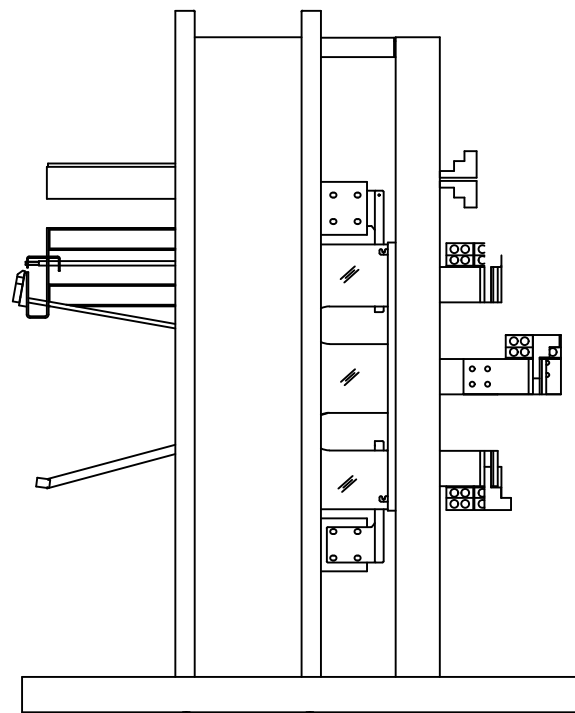
ABB PROPRIETARY AND CONFIDENTIAL INFORMATION

The information contained in the document has to be kept strictly confidential.
Any unauthorized use, reproduction, distribution or disclosure to third parties is strictly forbidden.
ABB reserves all rights regarding intellectual Property Rights.
Copyright 2018 ABB. All rights reserved



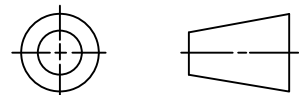
ATS POWER PANEL WITH CART DIMENSIONS			
ZBTS(D/CT) SWITCH	POLES	Aa	Ba
3000 AMP	3-POLE	56-5/8 [1438]	38-7/8 [987]
	4-POLE	56-5/8 [1438]	33-3/8 [848]

CENTER OF GRAVITY OF ATS POWER PANEL WITH CART					
ZBTS(D/CT) SWITCH	POLES	Xa	Ya	Za	WEIGHT LB(KG)
3000 AMP	3-POLE	13-15/32 [342]	11-5/8 [295]	30-7/32 [767]	725 [329]
	4-POLE	16-9/32 [414]	11-13/16 [300]	30-17/32 [775]	904 [410]



ALL DIMENSIONS ARE FOR REFERENCE ONLY
AND SHOWN IN INCHES [MILLIMETERS]

THIRD ANGLE PROJECTION



ATS POWER PANEL SHOWN OUT-SIDE THE FRAME

Part must conform to SI 900000
Sect. 4, Toxicity Procedure

FOR ADDITIONAL INFO REFER TO: APPLIED PRACTICES	SIGNATURES	DATE
DIMENSIONS ARE IN INCHES UNLESS OTHERWISE SPECIFIED IN DRAWING TOLERANCES: 1 PL DECIMALS ± 0.0 2 PL DECIMALS ± 0.02 3 PL DECIMALS ± 0.005 ANGLES ± 1.0 FRACTIONS ±	MODEL SS	09/23/08
FINISH	DETAIL SS	09/23/08
⊖ CRITICAL TO QUALITY CHARACTERISTIC	CHECKED SA	09/23/08
	ENGRG SA	09/23/08
	MFG	.
	QUALITY	.
	ISSUED	.
	SOLID MODEL: 50C-2042_ATS	

ABB

TITLE: BYPASS SWITCH - ATS POWER PANEL
3000A
ZBTS(D/CT)

SIZE	DRAWING	REV
B	50C-2042	1
SCALE: 0.050	REF. No:	SHEET 5 OF 5