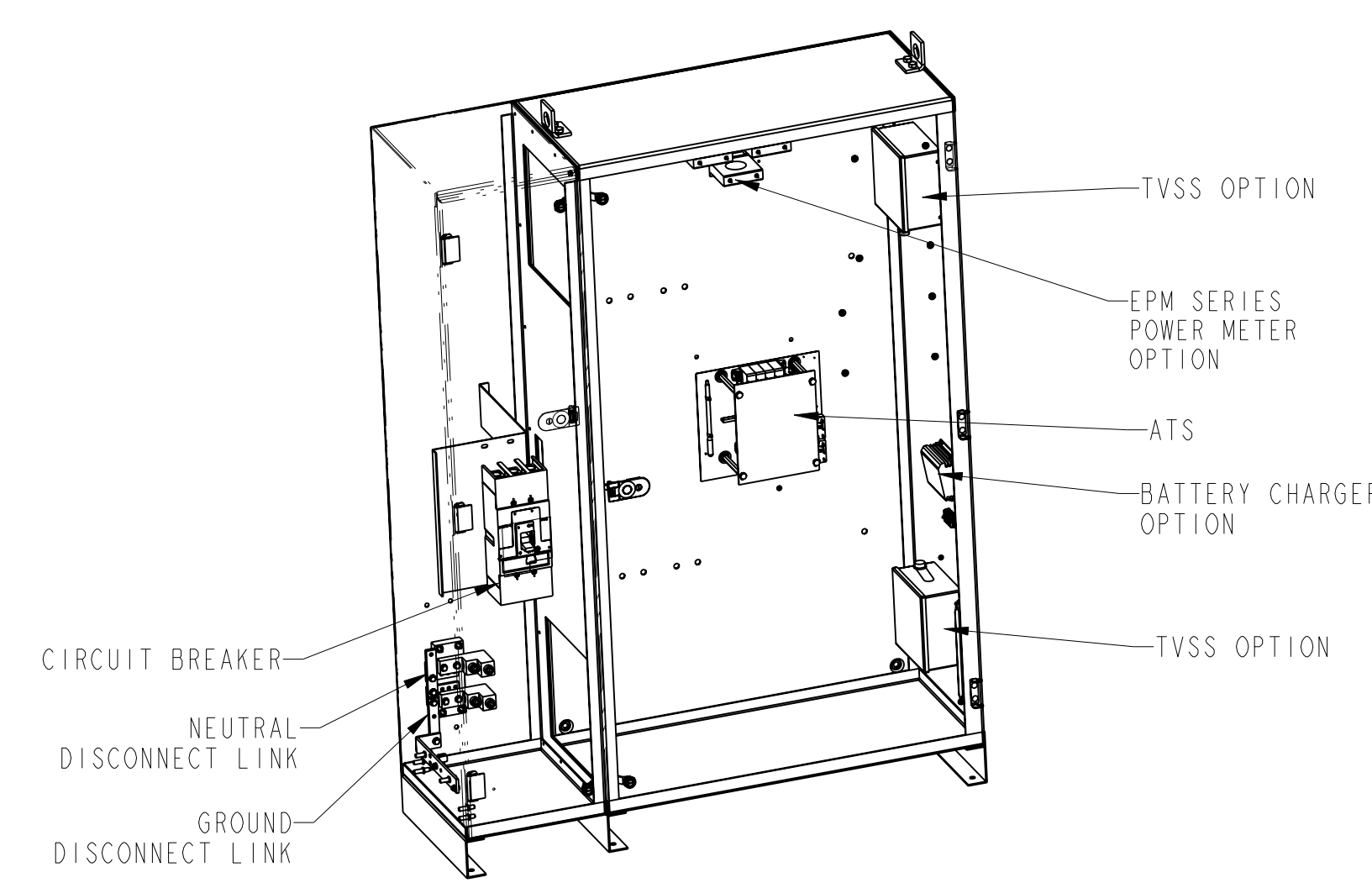
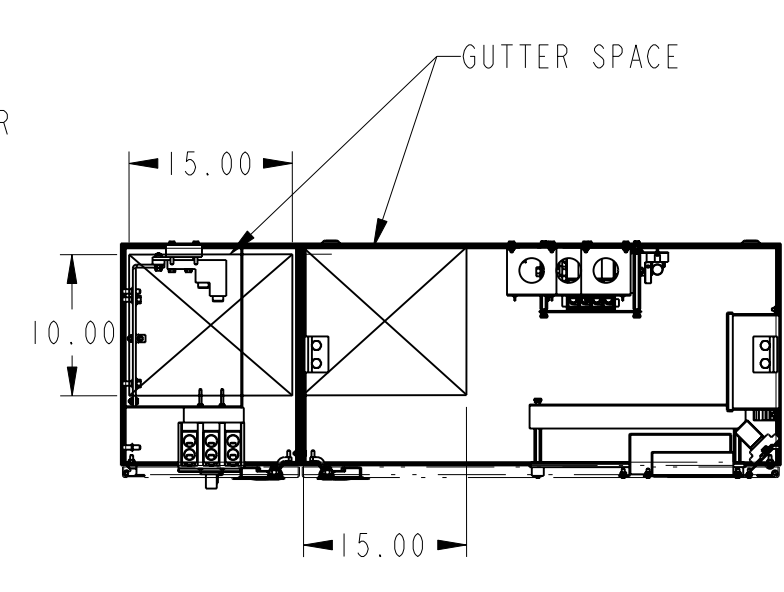


GE PROPRIETARY AND CONFIDENTIAL INFORMATION
 This document is the property of General Electric Company ("GE") and contains proprietary information of GE. This document is loaned on the express condition that neither it nor the information contained therein shall be disclosed to others without the express written consent of GE Industrial Systems, and that the information shall be used by the recipient only as approved expressly by GE Industrial Systems. This document shall be returned to GE upon its request. This document may be subject to certain restrictions under U.S. export control laws and regulations.

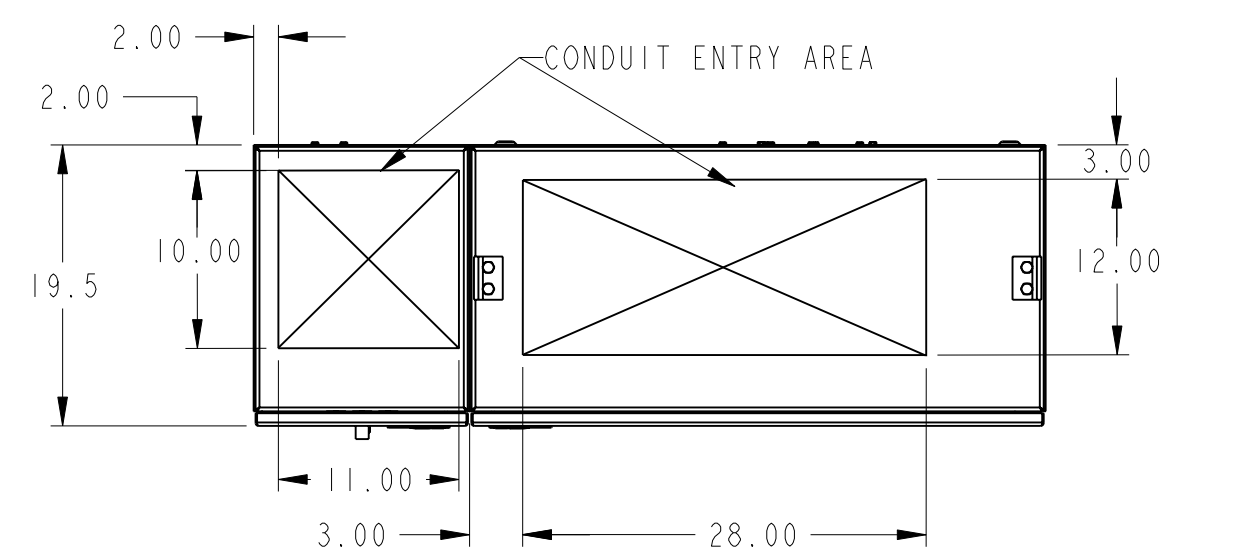
DRAWING NO. 50C-3016 A		REVISIONS	
REV.	DESCRIPTION	DATE	APPROVED
A	S-8687 DRAWING ESTABLISHED	08/08/07	YP



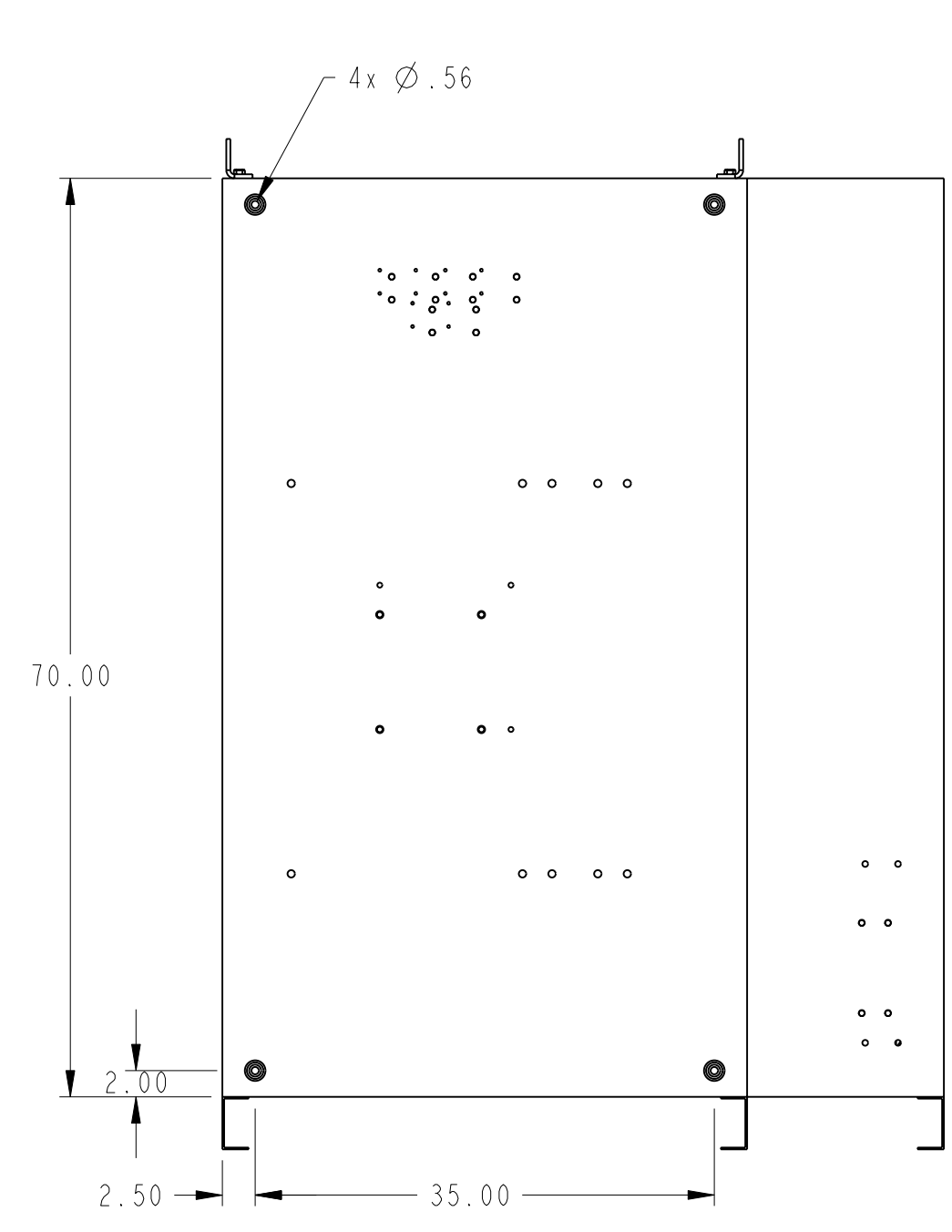
ISOMETRIC VIEW
WITHOUT ENCLOSURE DOOR



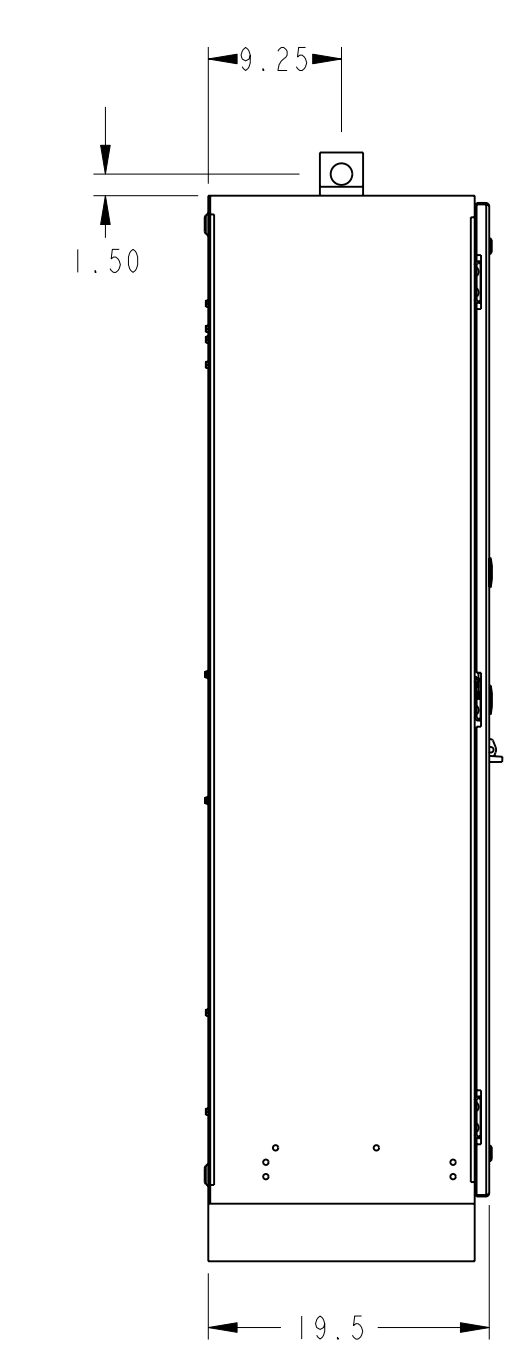
TOP VIEW



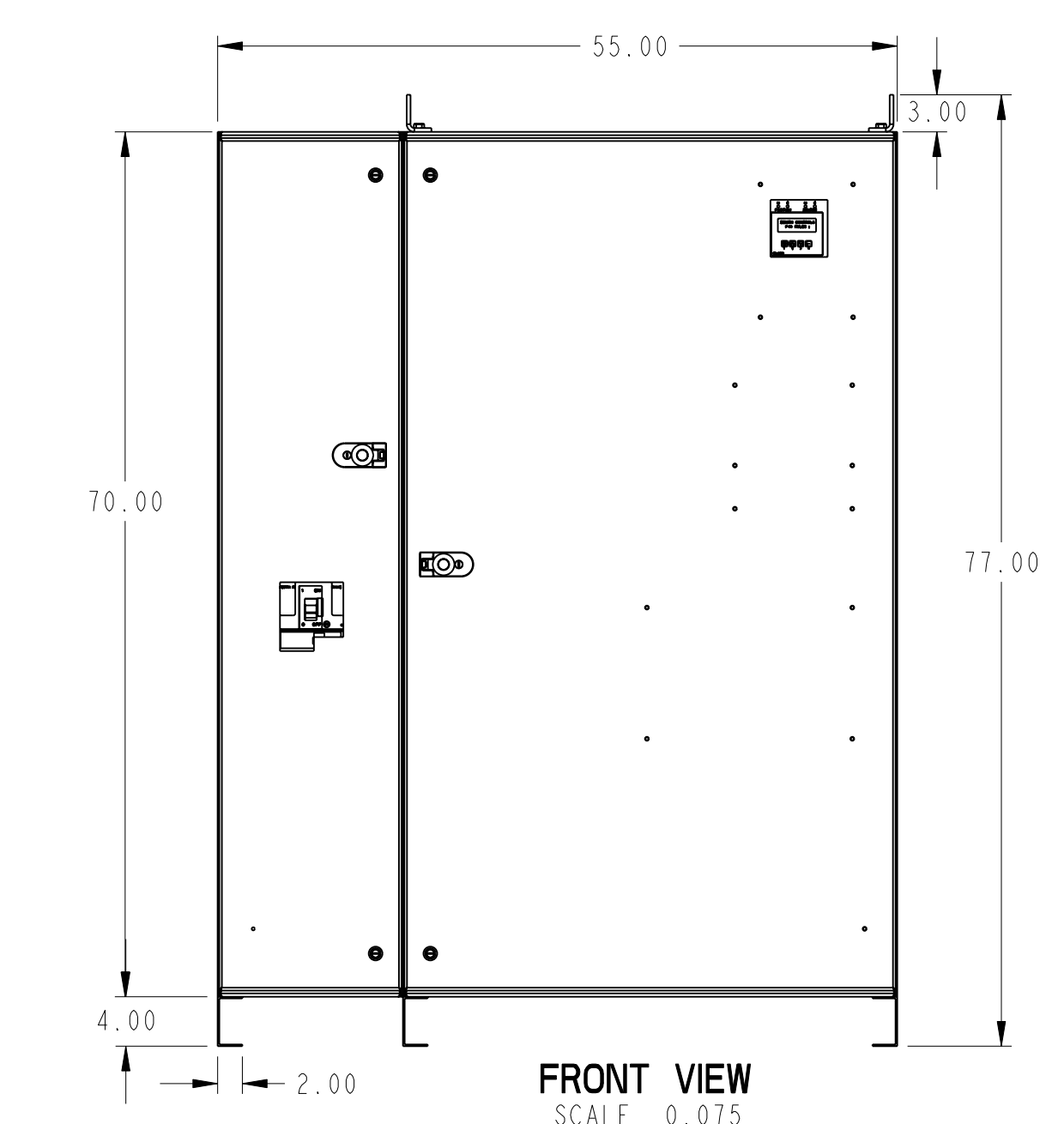
TOP VIEW



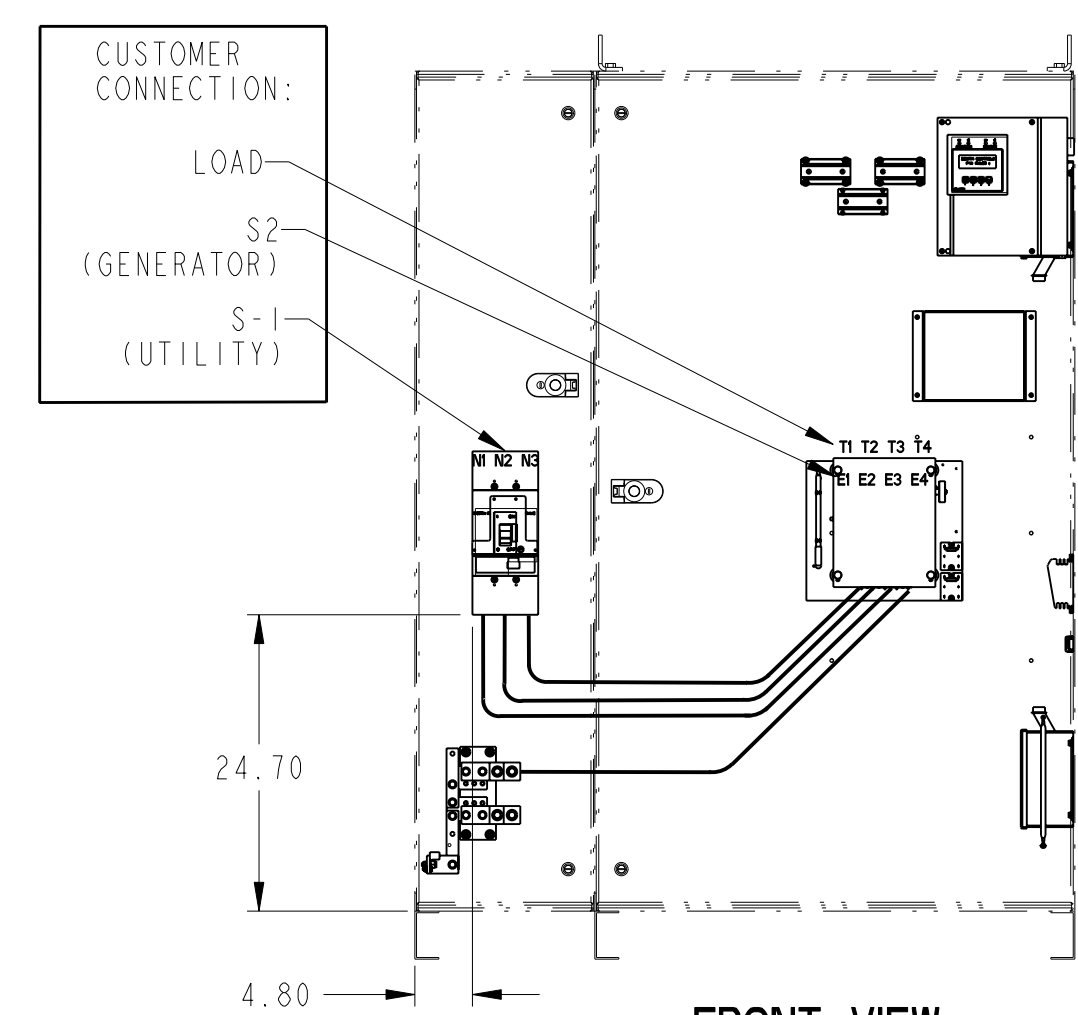
REAR VIEW
MOUNTING DETAILS



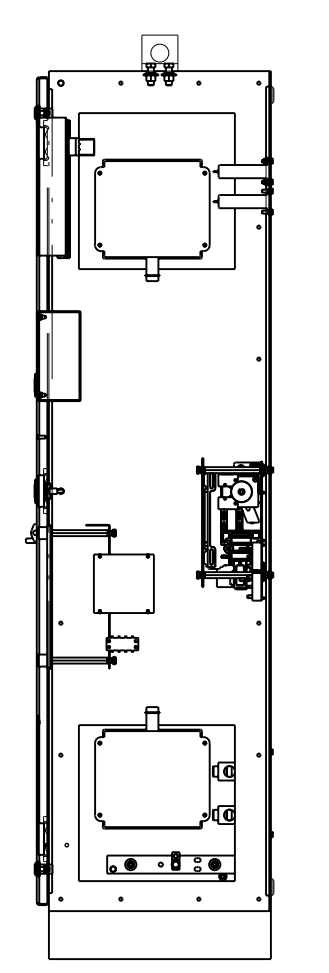
LH SIDE VIEW



FRONT VIEW
SCALE 0.075



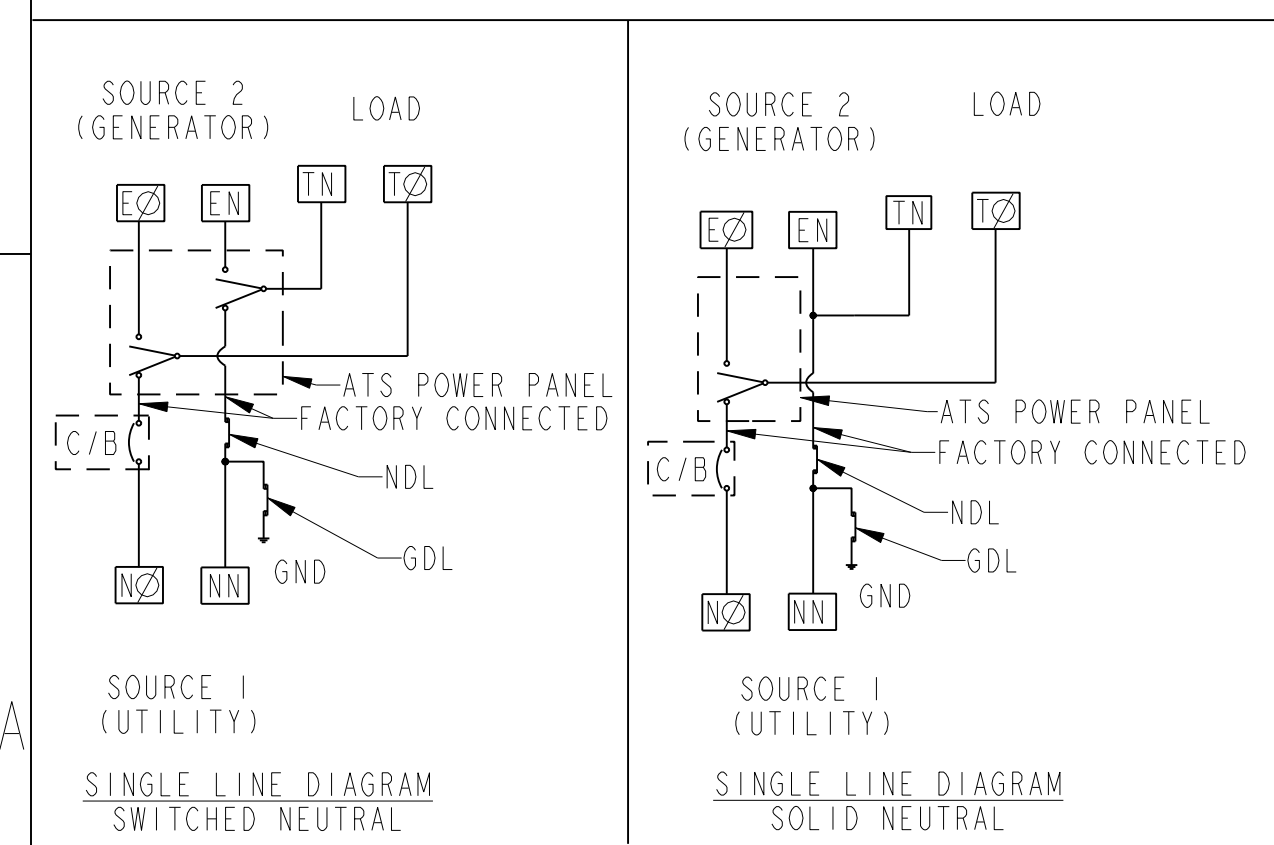
FRONT VIEW



RH SIDE VIEW

OPTIONS			
NAME	DESCRIPTION	NOTES	
BC	BATTERY CHARGER	12V/6AMP OR 24V/3AMP OUTPUT	
TVSS	GE TRANQUELL ME	100KA PER MODE, MEDIUM EXPOSURE AVAILABLE FOR SOURCE 1, 2 AND LOAD	
EPM	POWER METER	SERIES OF METERING OPTIONS	
STS	SHUNT TRIP SELECTOR	DOOR MOUNTED SHUNT TRIP SELECTOR SWITCH WITH SIGNAL INDICATING THE TRIP POSITION	
BB	C/B AUX CONTACTS	1 CONTACT WITH STS AND 2 WITHOUT STS OPTION	

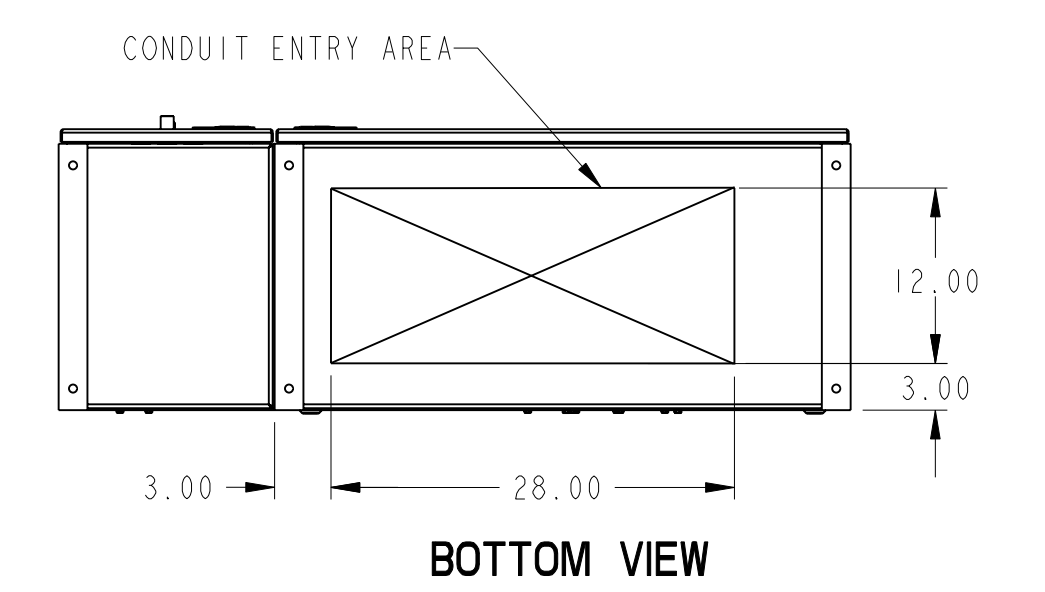
CONTACT GE ZENITH CONTROLS FOR ADDITIONAL OPTIONS
 OPTIONAL ACCESSORIES SHOWN IN PHANTOM DISPLAY



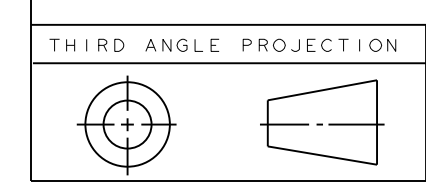
LEGEND:
 ATS - AUTOMATIC TRANSFER SWITCH
 C/B - MOLDED CASE CIRCUIT BREAKER
 NDL - NEUTRAL DISCONNECT LINK
 GDL - GROUND DISCONNECT LINK

AMP	MCCB FRAME	80% RATED	WIRE RANGE			ATS WCR RATING (UL) @ 480V	BREAKER IC RATING (UL) @ 480V
			S-1 (UTILITY)	S-2 (GENERATOR)	LOAD		
40	SE	60AF / 40AT	(1) 12 AWG-3/0	(1) 8 AWG-3/0	(1) 8 AWG-3/0	30KA	65KA
80	SE	100AF / 80AT	(1) 12 AWG-3/0	(1) 8 AWG-3/0	(1) 8 AWG-3/0	30KA	65KA
100	SF	250AF / 100AT	(1) 8 AWG-350MCM	(1) 8 AWG-3/0	(1) 8 AWG-3/0	30KA	65KA
150	SF	250AF / 150AT	(1) 8 AWG-350MCM	(1) 8 AWG-3/0	(1) 8 AWG-3/0	30KA	65KA
200	SF	250AF / 200AT	(1) 8 AWG-350MCM	(1) 6 AWG-250MCM	(1) 6 AWG-250MCM	30KA	65KA
225	SG	400AF / 225AT	(1) 8 AWG-500MCM OR (1) 2/0-600MCM	(1) 6 AWG-250MCM	(1) 6 AWG-250MCM	30KA	65KA
260	SG	400AF / 250AT	(1) 8 AWG-500MCM OR (1) 2/0-600MCM	(1) 6 AWG-350MCM	(1) 6 AWG-350MCM	35KA	65KA
400	SG	600AF / 400AT	(1) 8 AWG-500MCM OR (1) 2/0-600MCM	(1) 4 AWG-600MCM OR (2) 1/0-250MCM	(1) 4 AWG-600MCM OR (2) 1/0-250MCM	50KA	65KA
600	SK	800AF / 600AT	(3) 3/0 500MCM	(2) 2 AWG-600MCM	(2) 2 AWG-600MCM	50KA	65KA
800	SK	1200AF / 800AT	(4) 250-500 MCM	(4) 2 AWG-600MCM	(4) 2 AWG-600MCM	65KA	65KA

NOTES:
 ENCLOSURE: NEMA 1 TYPE
 FLOOR AND OR WALL MOUNTED
 FINISH: ANSI 61 GRAY
 ACCES: FRONT ONLY
 MCCB ACCESSORY: PADLOCKING (PROVISION ONLY)
 GUTTER SPACE: SEE THE TOP VIEW, ENCLOSURE IN PHANTOM DISPLAY VIEW
 CONDUIT ENTRY: SEE THE TOP AND THE BOTTOM VIEWS
 SYSTEM RATING AND SPECIFICATIONS:
 SERVICE ENTRANCE: 40-800A, 4POLE UNIT, FULLY RATED
 NEUTRAL DISCONNECT LINK: 100% RATED
 GROUND DISCONNECT LINK: 100% RATED



BOTTOM VIEW



Part must conform to S1 900000 Sect. 4, Toxicity Procedure

FOR ADDITIONAL INFO REFER TO: APPLIED PRACTICES	SIGNATURES	DATE	GE Zenith Controls OUTLINE DRAWING 40-800 AMP, 4-POLE, NEMA-1 SERVICE ENTRANCE
DIMENSIONS ARE IN INCHES	MODEL	YP 08/08/07	
UNLESS OTHERWISE SPECIFIED IN DRAWING	CHECKED	YP 08/08/07	
TOLERANCE ON: 1 PL DECIMALS ± 0.0 2 PL DECIMALS ± 0.02 3 PL DECIMALS ± 0.005 ANGLES ± 1.0 FRACTIONS ± FINISH	ENGRG	YP 08/08/07	
CRITICAL TO QUALITY CHARACTERISTIC	ISSUED		SIZE D DRAWING
			SCALE: 0.063
			REF. No.:
			SHEET 1 OF 1