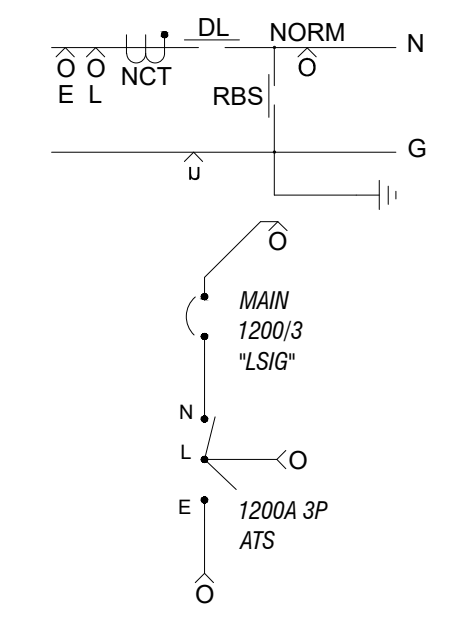
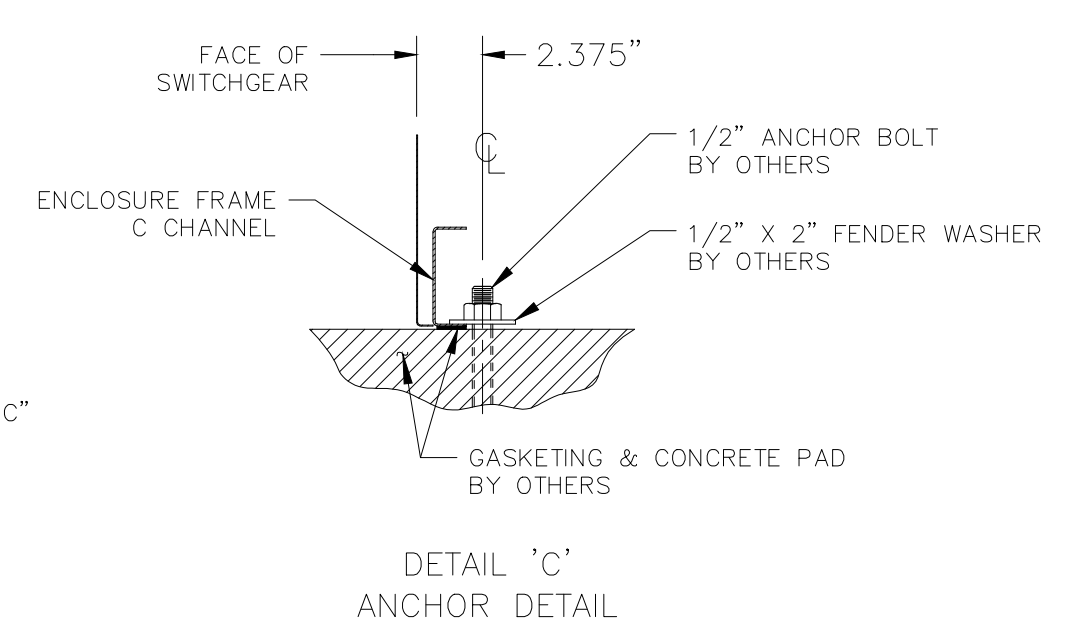
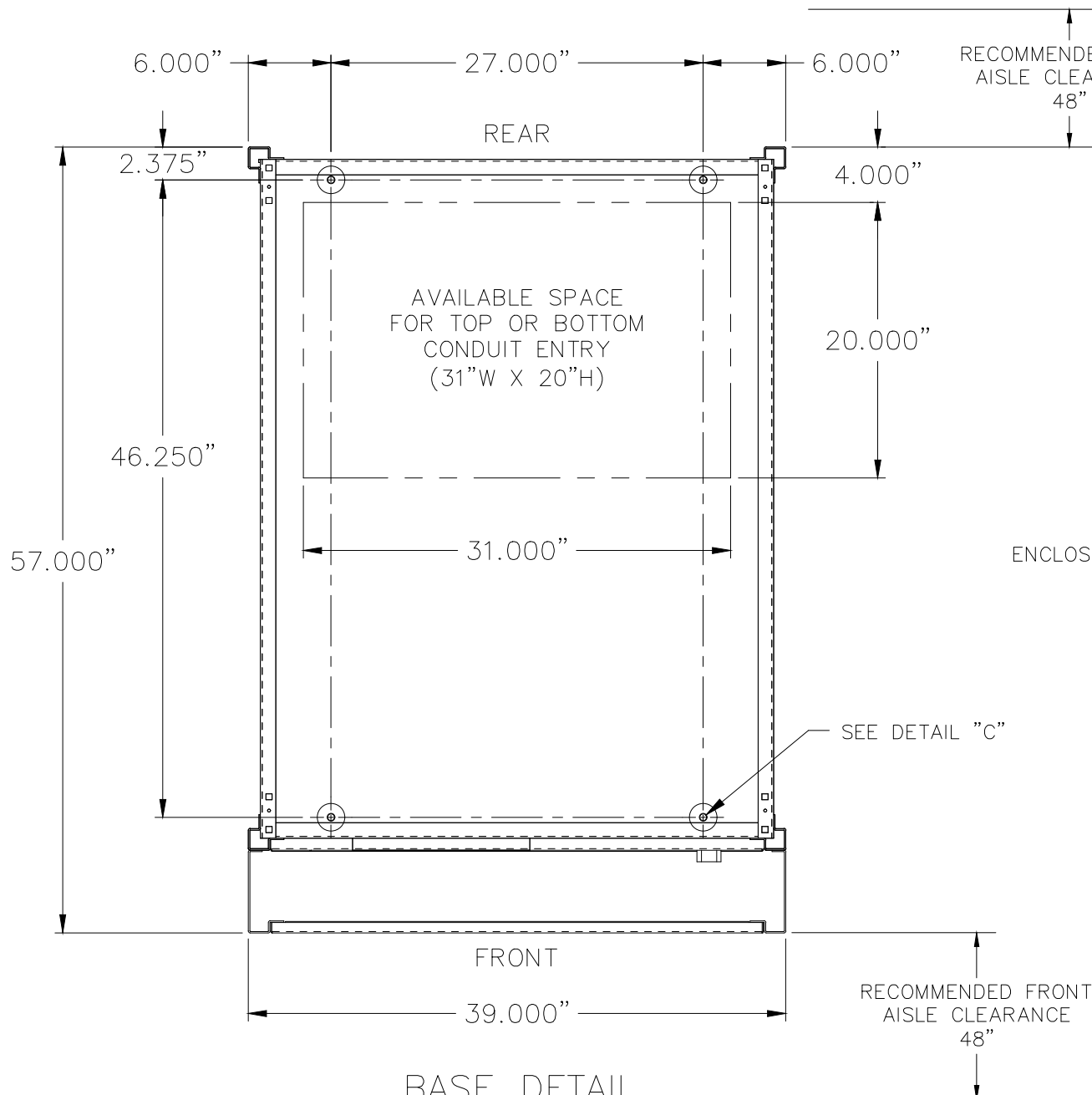


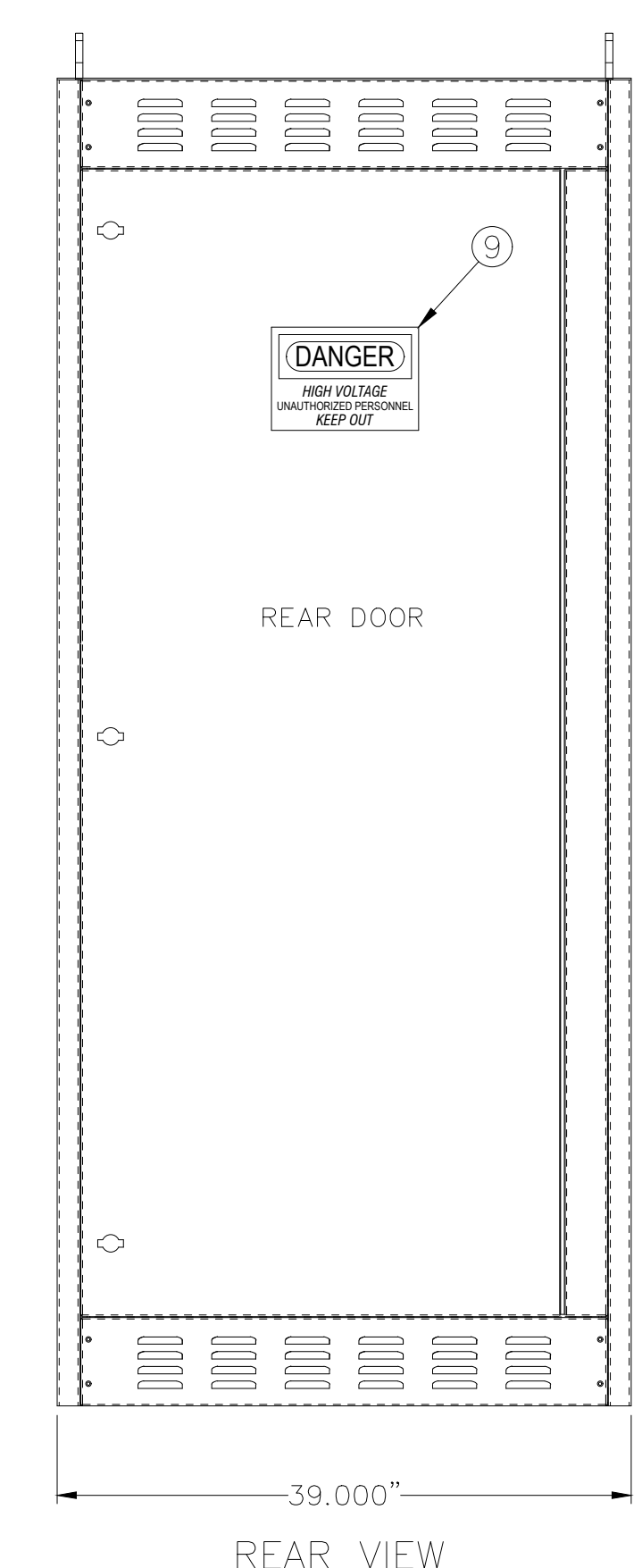
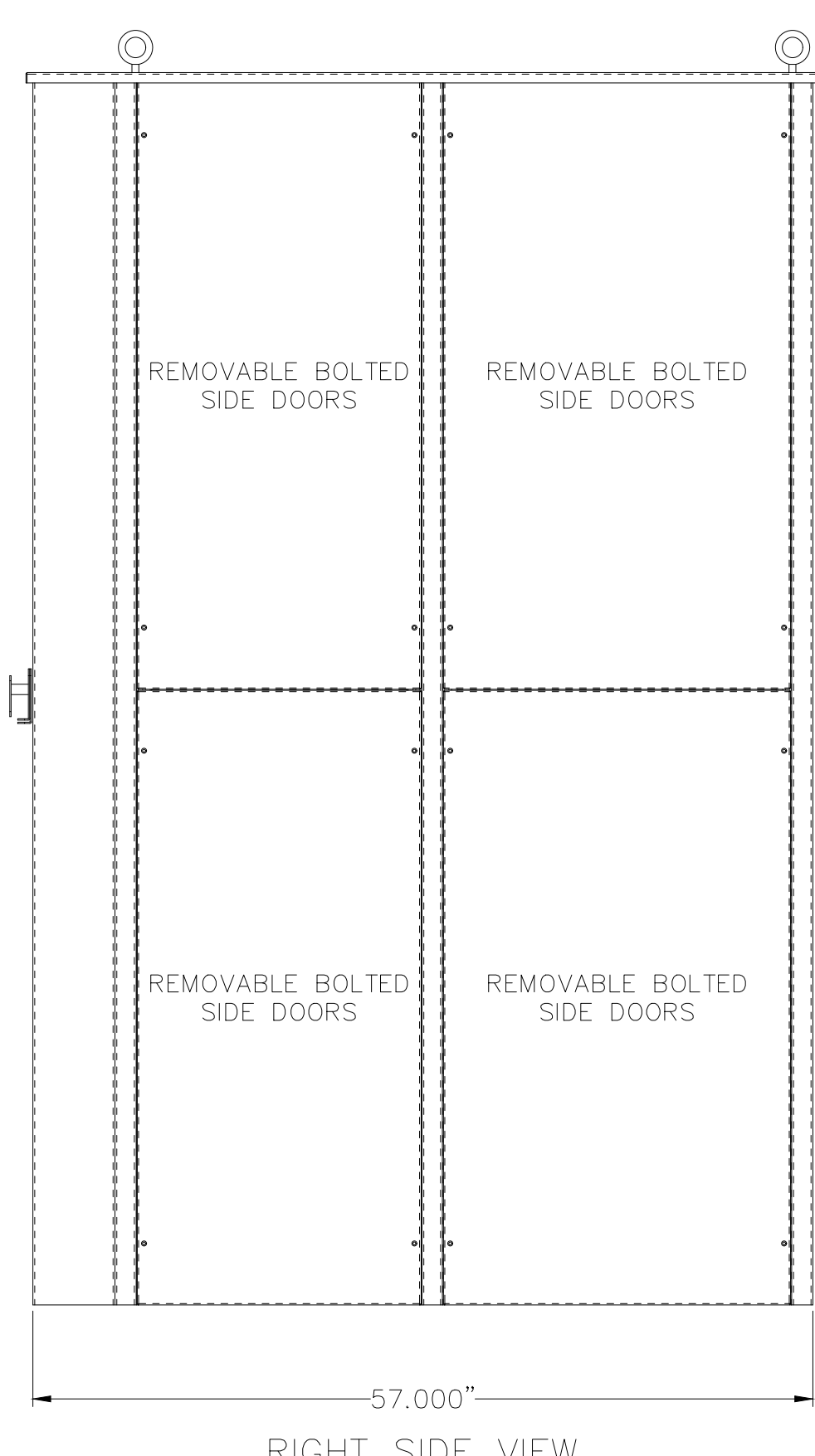
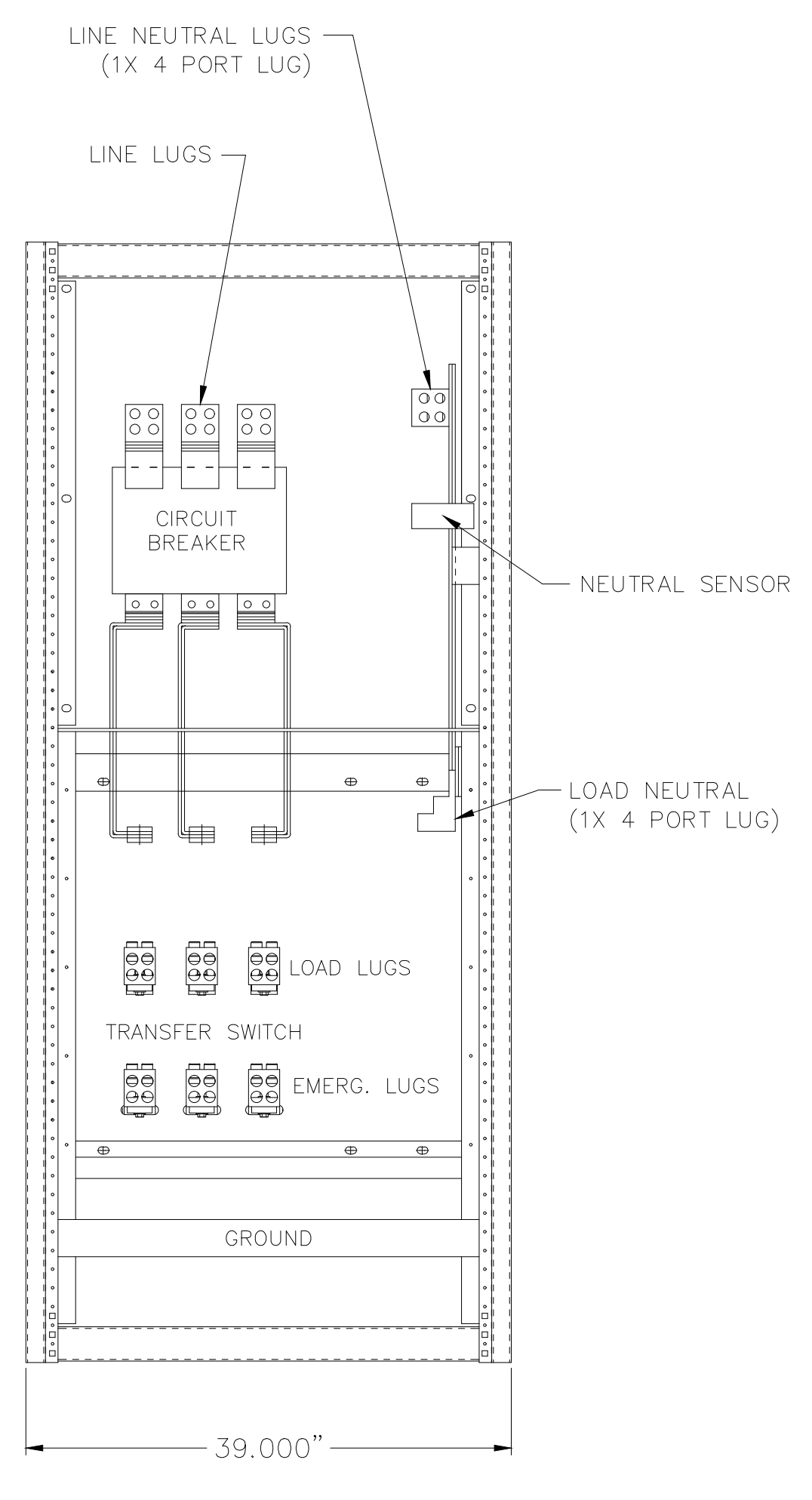
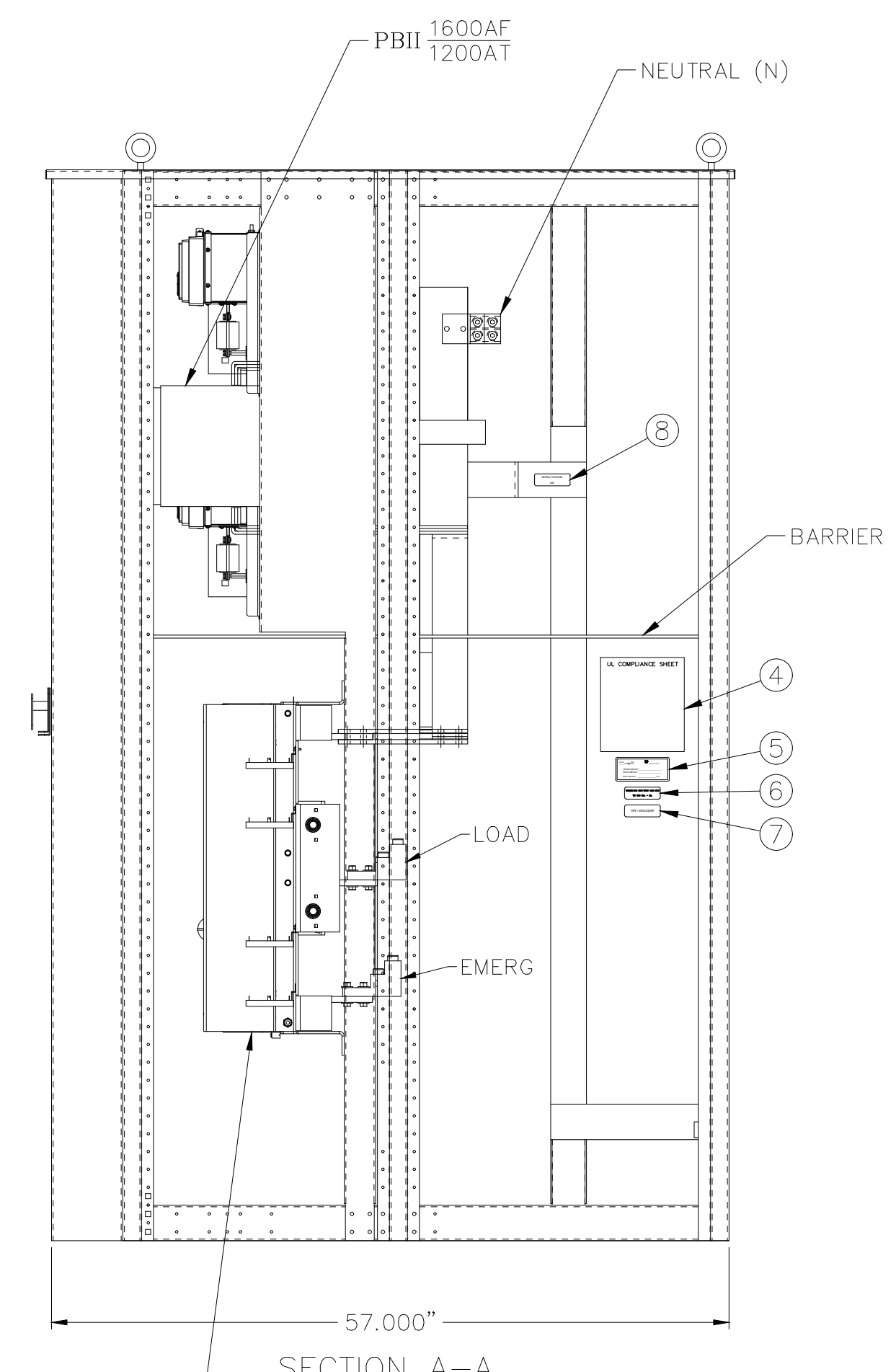
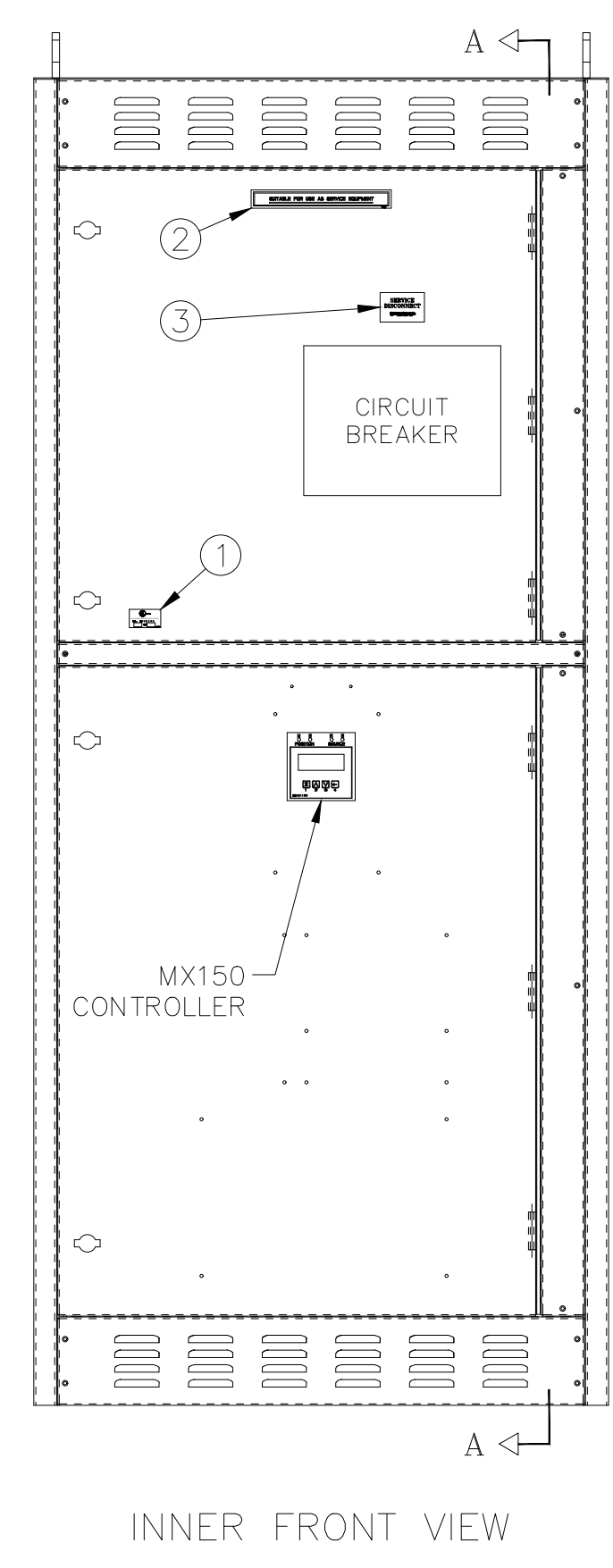
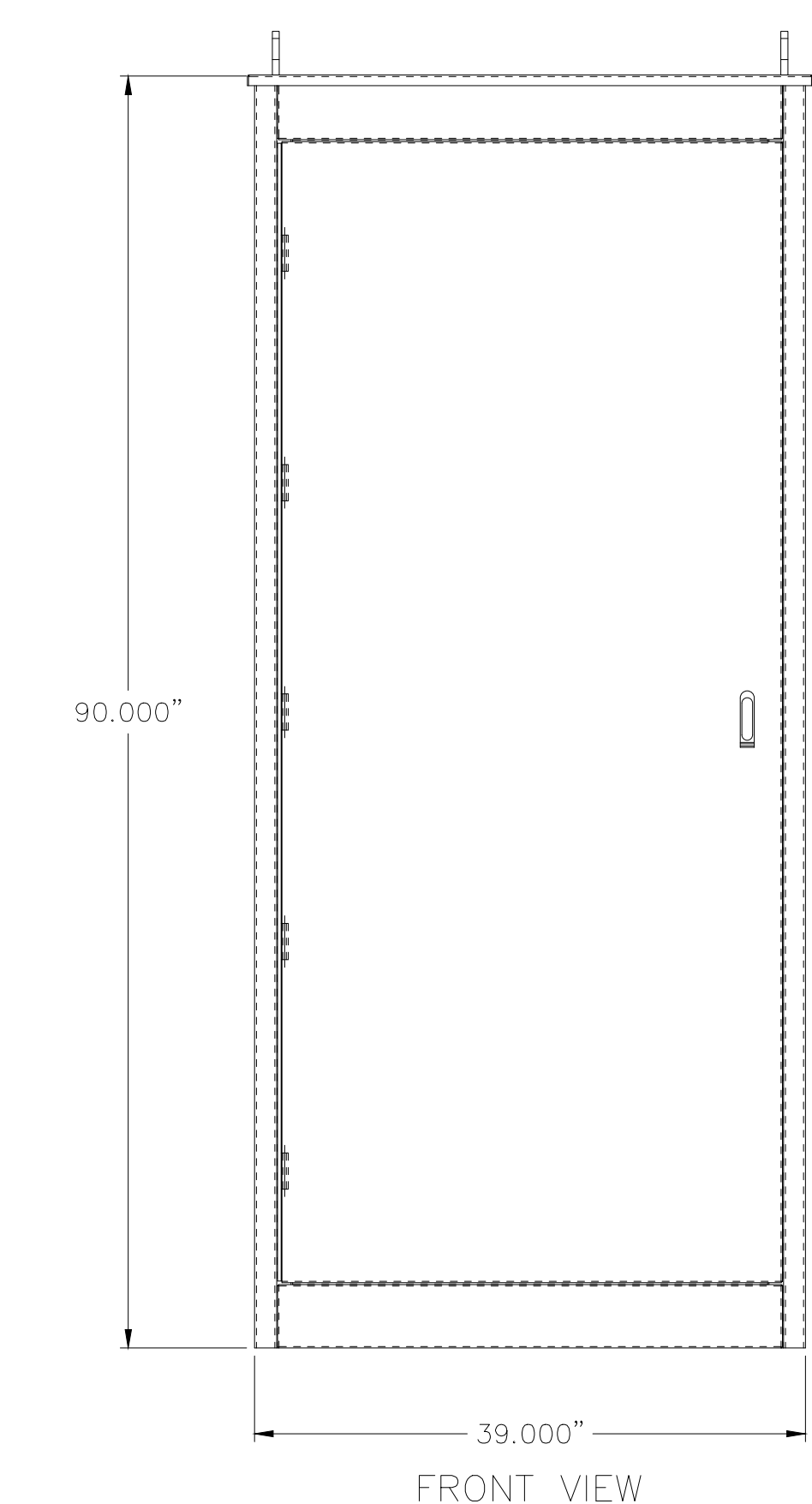
REVISIONS			
REV.	DESCRIPTION	DATE	APPROVED
1	C075076 UPDATED REBRANDING	09/09/19	AR MAS



SYMBOL LEGEND
 O & u = MECH. LUGS (SEE TABLE FOR DETAILS)
 NCT = NEUTRAL CURRENT SENSOR
 RBS = REMOVABLE GROUND STRAP
 DL = NEUTRAL DISCONNECT LINK
 N = NORMAL
 E = EMERGENCY
 L = LOAD

ONE LINE DIAGRAM (1000A / 1200A)

NOTES:		
SYSTEM RATING: 50KA		
ENCLOSURE:	NEMA 3R TYPE	LABELS
INSTALLATION:	FLOOR MOUNTED	1. UL891 (ON INNER SIDE OF DOOR)
FINISH:	ANSI 61 GRAY	2. SUITABLE FOR AS SERVICE ENTRANCE
ACCESS:	REAR & SIDES	3. SERVICE DISCONNECT
COMPONENTS RATING AND SPECIFICATIONS (ATS):		4. UL COMPLIANCE SHEET
SERVICE ENTRANCE:	1000-1200A, 3 POLE UNIT, FULLY RATED	5. SECTION AMPACITY
SHORT CIRCUIT WITHSTAND AND CLOSING RATING (UL)	50KA @ 480V	6. 500-1000 MCM TORQUE
CIRCUIT BREAKER:		7. NEMA 3R ENCLOSURE
GE PBII-ICCB, MICRO-VERSA TRIP PLUS, LSIG TRIP UNIT		8. NEUTRAL TO GROUND LINK
MOUNT TYPE:	STATIONARY	9. HIGH VOLTAGE DANGER
SIZE:	1600AF/1200AT-1000AT	
SHORT CIRCUIT INTERRUPT RATING	65KAIC @ 480V	
U.L. LABEL	891	
"SUITABLE TO USE AS SERVICE ENTRANCE EQUIPMENT"		
BUS:		
MATERIAL:	COPPER 1000A/in (2-1/4" X 3" PHASE/NEUTRAL)	
	(1-1/4" X 2" GROUND BUS)	
CABLE:		
52-N	(4)-600Kcmil PER PHASE & NEUTRAL	
LOAD	(4)-600Kcmil PER PHASE & NEUTRAL	
EMERGENCY	(4)-600Kcmil PER PHASE & NEUTRAL	
GROUND	SPCAE FOR UP TO (12)-1/0-250Kcmil LUG	



FOR ADDITIONAL INFO REFER TO APPLIED PRACTICES UNLESS OTHERWISE SPECIFIED DIMENSIONS ARE IN INCHES.	SIGNATURES	DATE
TOLERANCES ON:	MODEL MRR	3/18/10
2 PL. DECIMALS ± .020	CHECKED	
3 PL. DECIMALS ± .005	ENGRG YP	3/18/10
ANGLES ± 1°	MFG	
FRACTIONS ± 1/64	QUALITY	
FINISH ✓	ISSUED	
AutoCad Generated	DRAWING FILE: 50c-4222.dwg	FIRST MADE FOR: ZTGSE12(3P-N3R)
	MODEL / ASSEMBLY FILE: # CTGS	SIZE CAGE CODE DWG NO
	CRITICAL TO QUALITY CHARACTERISTIC	DWG NO

TITLE	
1000A/1200A SERVICE ENTRANCE (3P-N3R) OUTLINE DRAWING	
SCALE: NONE	SHEET 1 of 1

ABB PROPRIETARY AND CONFIDENTIAL INFORMATION
 The information contained in the document has to be kept strictly confidential. Any unauthorized use, reproduction, distribution or disclosure to third parties is strictly forbidden. ABB reserves all rights regarding intellectual Property Rights. Copyright 2018 ABB. All rights reserved.

