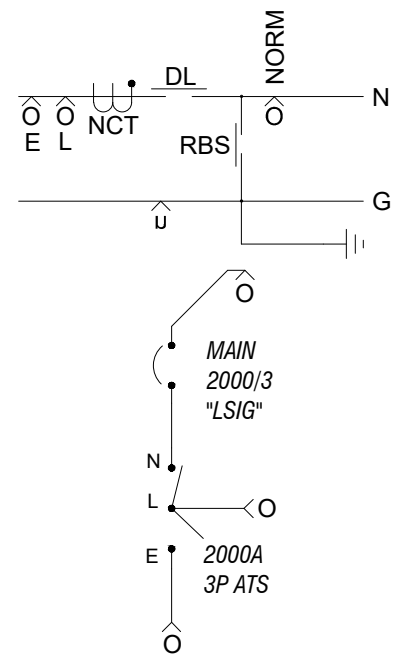
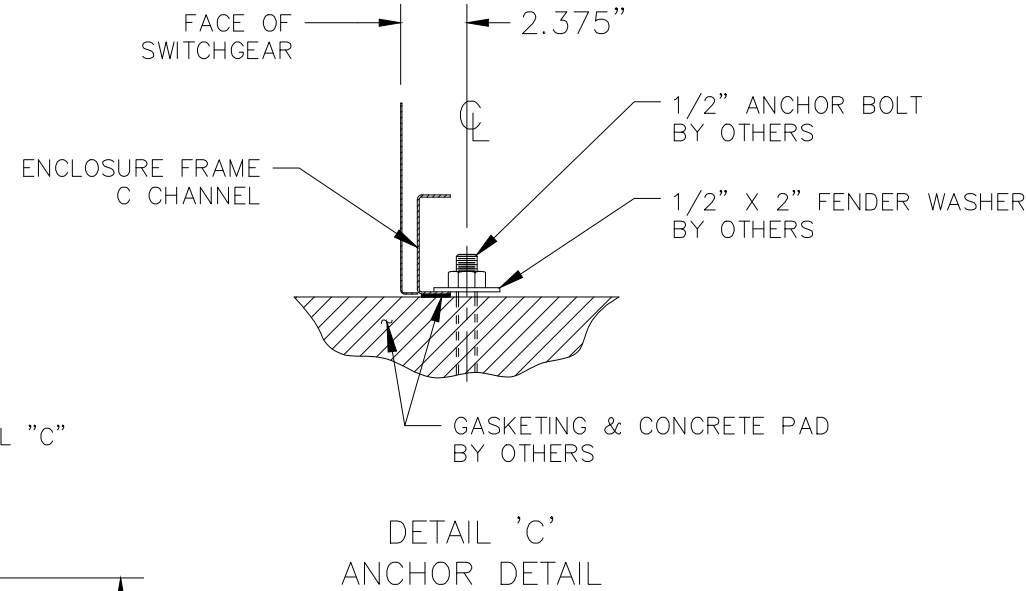
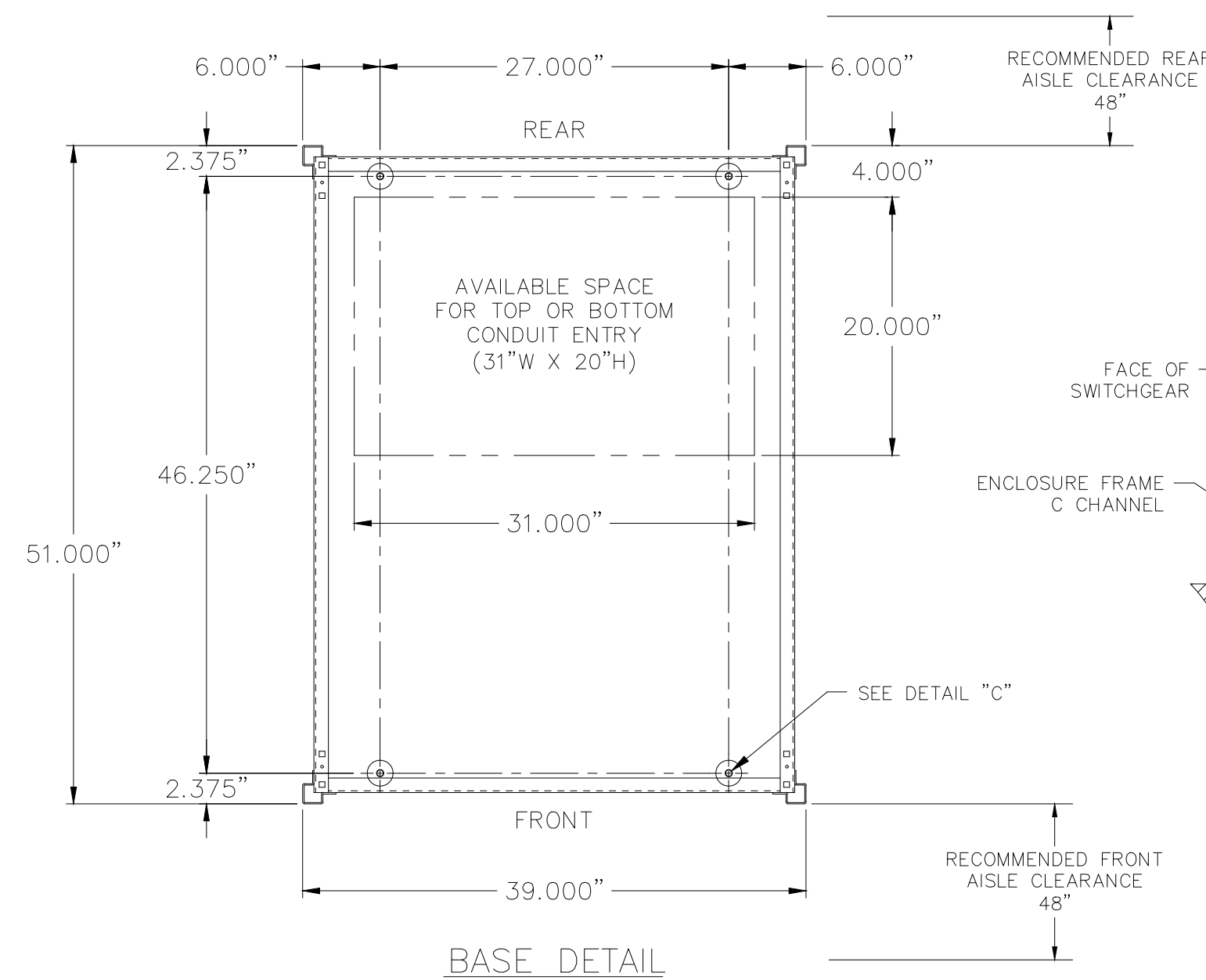


REVISIONS			
REV.	DESCRIPTION	DATE	APPROVED
1	C075076 UPDATED REBRANDING	09/09/19	AR MAS

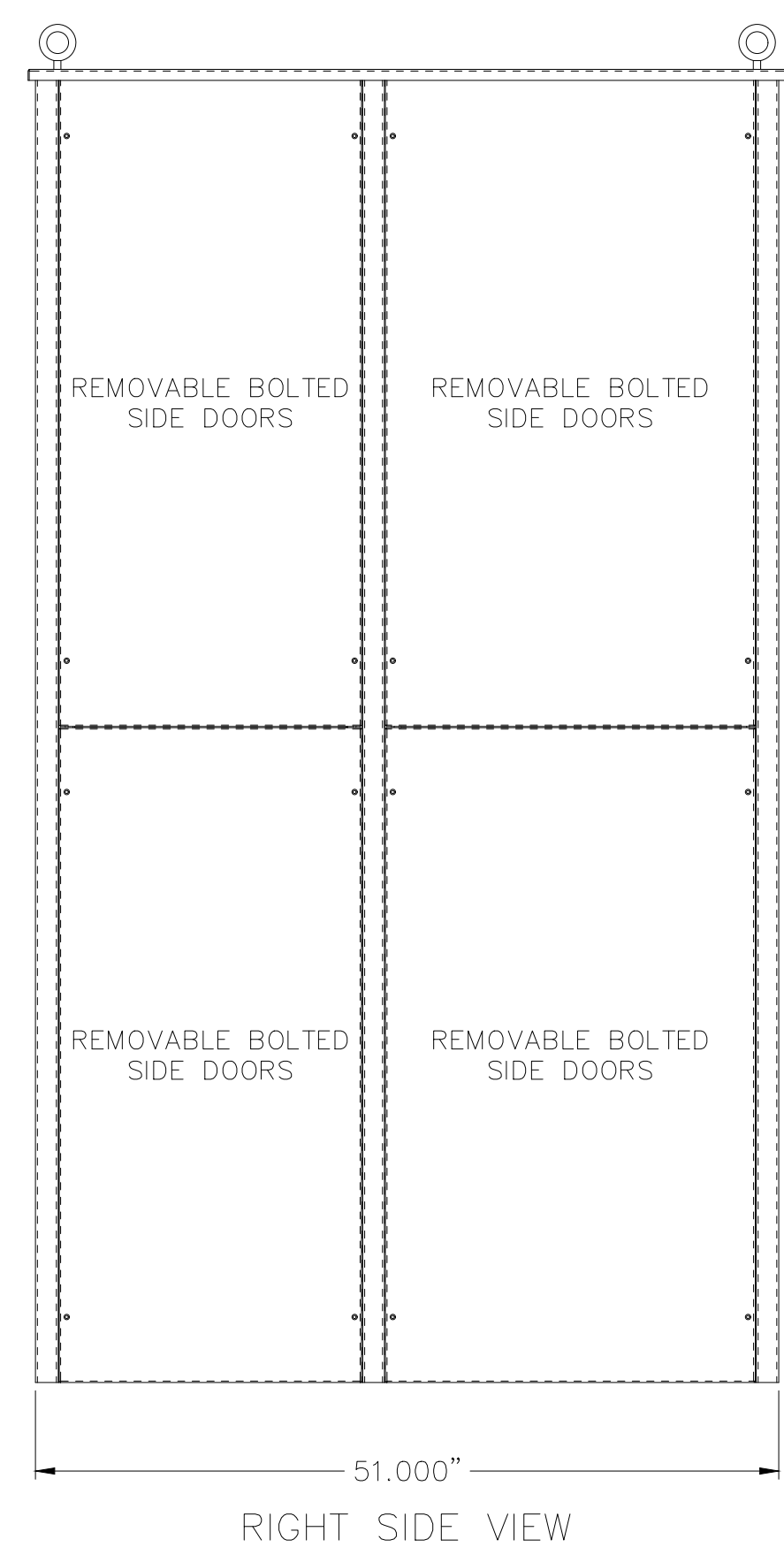
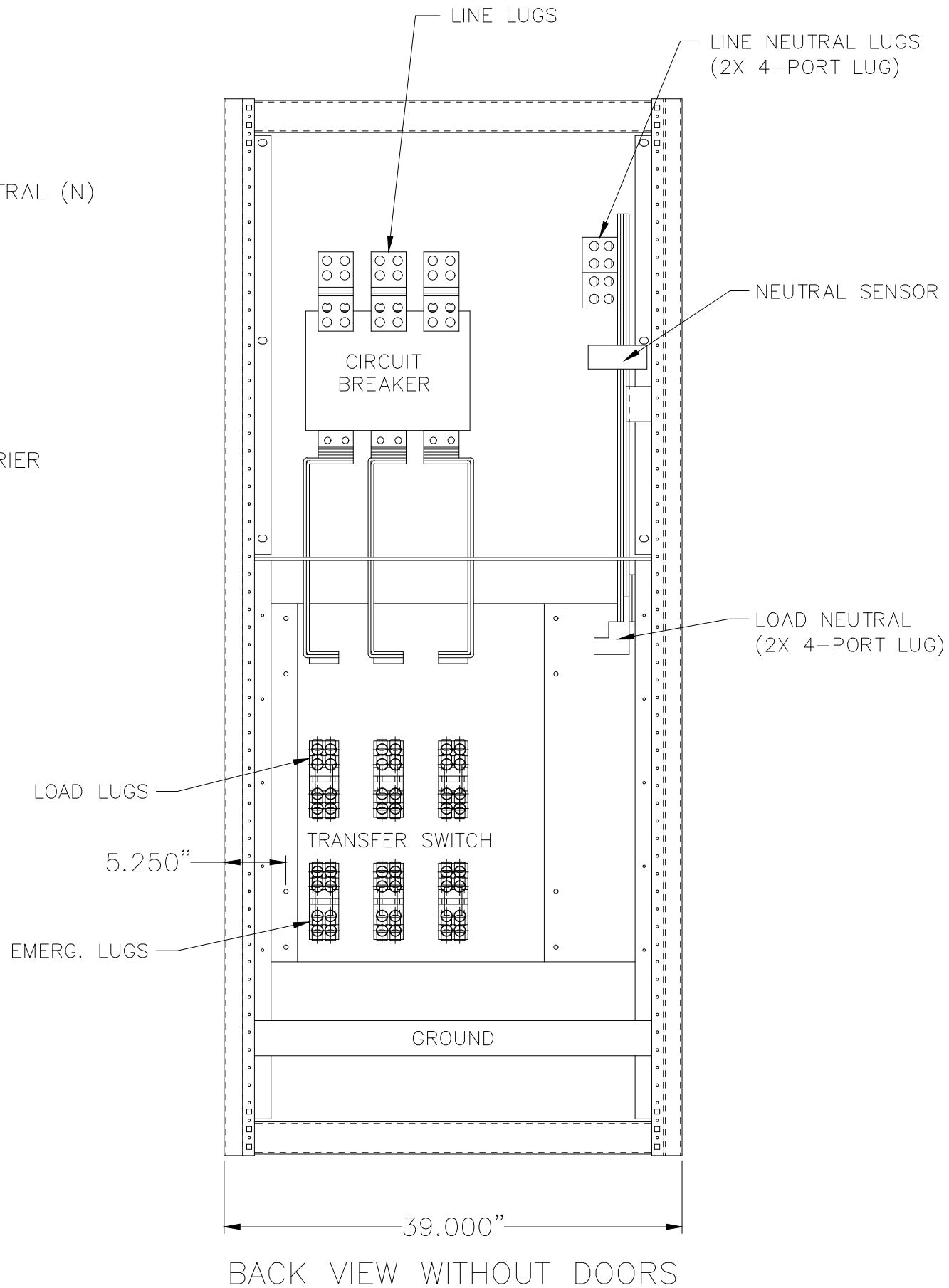
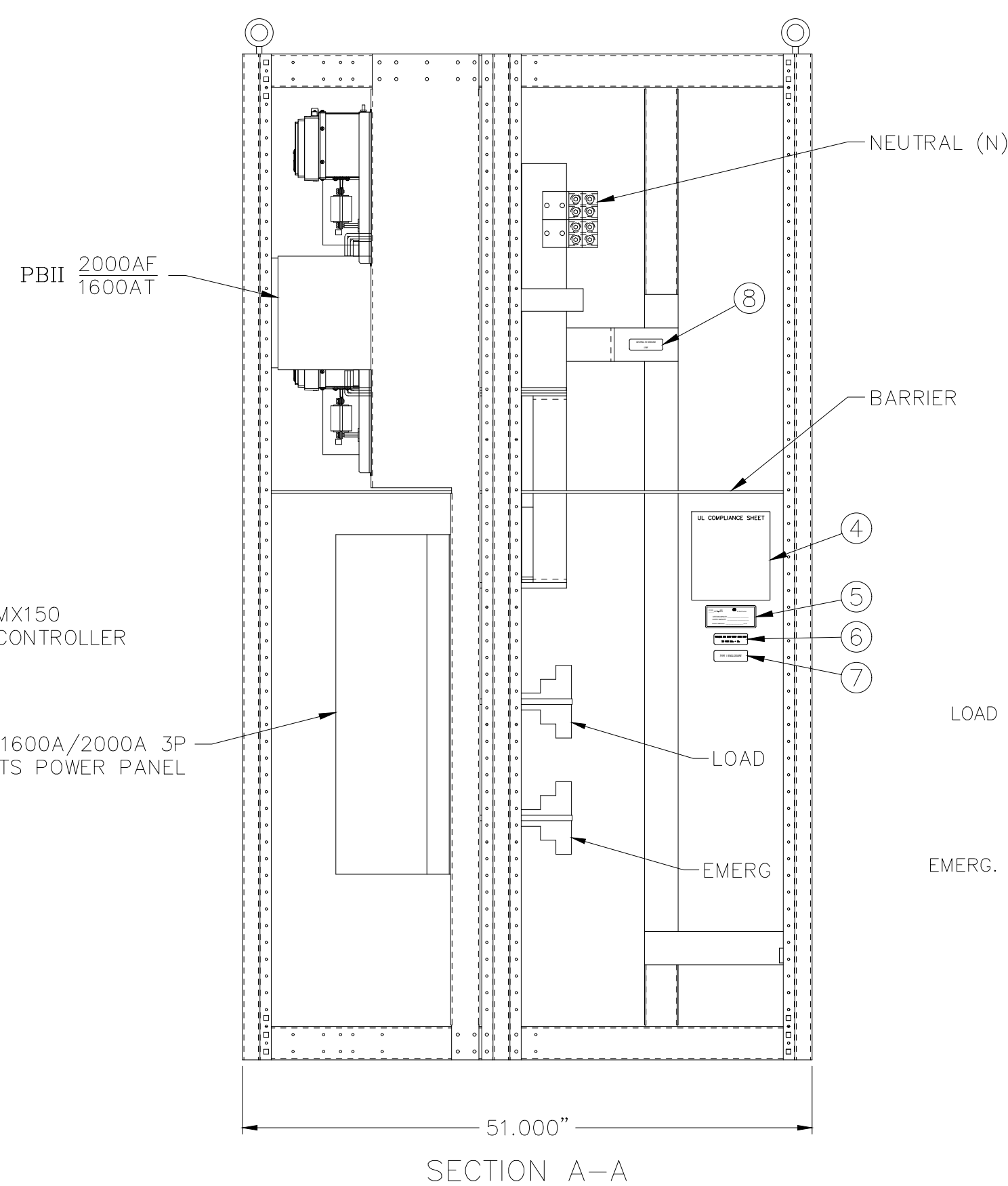
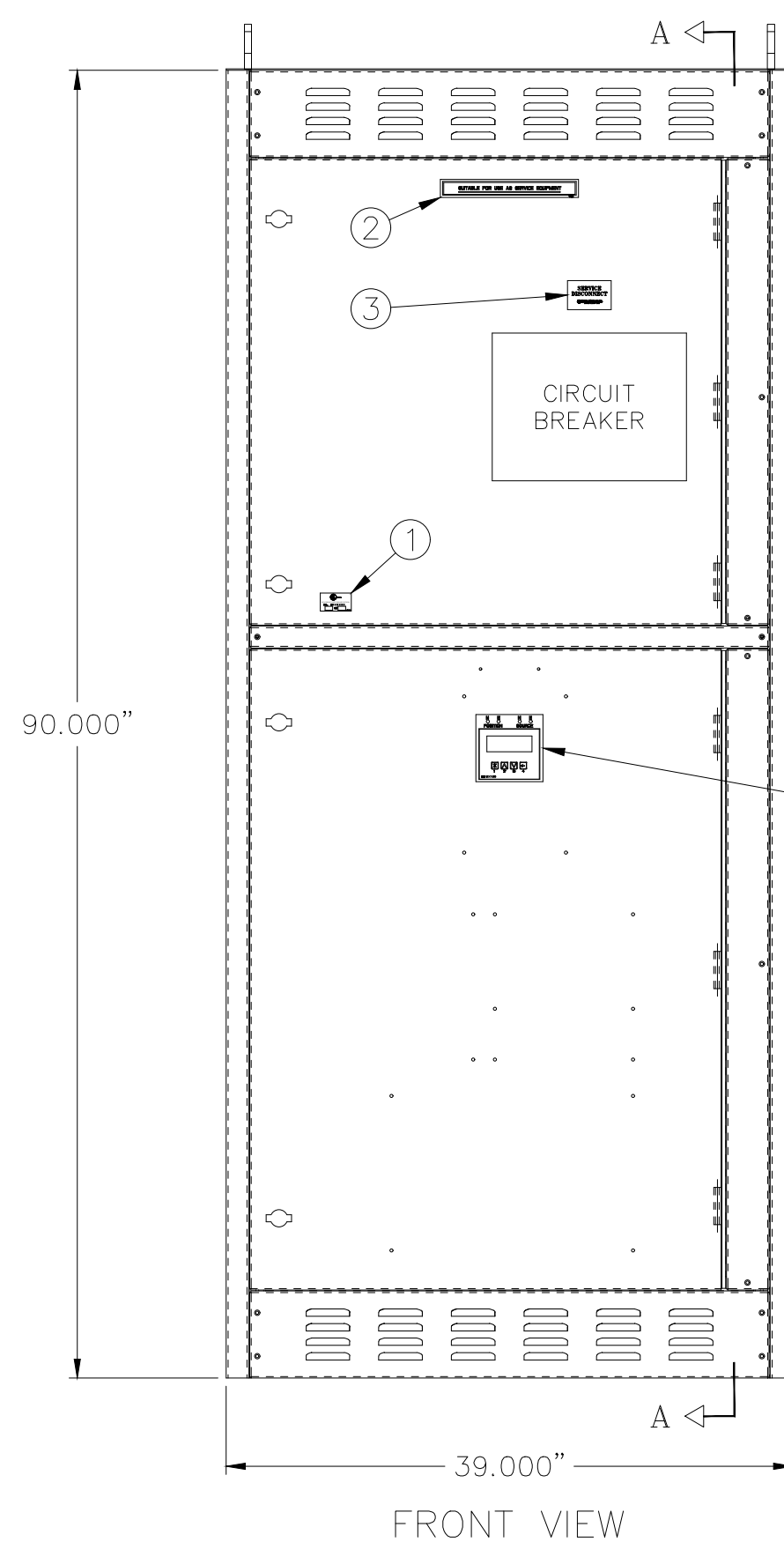
18 17 16 15 14 13 12 11



SYMBOL LEGEND
 O & u = MECH. LUGS (SEE TABLE FOR DETAILS)
 NCT = NEUTRAL CURRENT SENSOR
 RBS = REMOVABLE GROUND STRAP
 DL = NEUTRAL DISCONNECT LINK
 N = NORMAL
 E = EMERGENCY
 L = LOAD

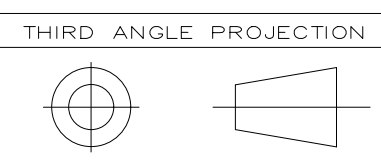
ONE LINE DIAGRAM (1600A / 2000A)

NOTES		
SYSTEM RATING: 100KA		
ENCLOSURE:	NEMA 1 TYPE	LABELS
INSTALLATION:	FLOOR MOUNTED	1. UL891 (ON INNER SIDE OF DOOR)
FINISH:	ANSI 61 GRAY	2. SUITABLE FOR AS SERVICE ENTRANCE
ACCESS:	REAR & SIDES	3. SERVICE DISCONNECT
COMPONENTS RATING AND SPECIFICATIONS (ATS):		4. UL COMPLIANCE SHEET
SERVICE ENTRANCE:	1600-2000A, 3 POLE UNIT, FULLY RATED	5. SECTION AMPACITY
SHORT CIRCUIT WITHSTAND AND CLOSING RATING (UL)	100kAIC @ 480V	6. 500-1000 MCM TORQUE
CIRCUIT BREAKER:		7. TYPE 1 ENCLOSURE
GE PBII-ICCB, MICRO-VERSA TRIP PLUS, LSIG TRIP UNIT		8. NEUTRAL TO GROUND LINK
		9. HIGH VOLTAGE DANGER
BUS:		
MATERIAL:	COPPER 1000A/in (2-1/4" X 4" PHASE/NEUTRAL)	
		(1-1/4" X 2" GROUND BUS)
CABLE:		
52-N	(8)-600Kcmil PER PHASE & NEUTRAL	
LOAD	(8)-600Kcmil PER PHASE & NEUTRAL	
EMERGENCY	(8)-600Kcmil PER PHASE & NEUTRAL	
GROUND	SPACE FOR UP TO (24)-1/0-250Kcmil LUG	



FOR ADDITIONAL INFO REFER TO	SIGNATURES	DATE	TITLE
APPLIED PRACTICES UNLESS OTHERWISE SPECIFIED DIMENSIONS ARE IN INCHES.	MODEL MRR	3/18/10	1600A/2000A SERVICE ENTRANCE (3P-N1) OUTLINE DRAWING
TOLERANCES ON: 2 PL. DECIMALS ± .020 3 PL. DECIMALS ± .005 ANGLES ± 1° FRACTIONS ± 1/64 FINISH ✓	CHECKED ENGRG YP	3/18/10	
AutoCad Generated	DRAWING FILE: 50c-4224.DWG	FIRST MADE FOR: ZTGSE20(3P-N1)	SCALE: NONE
	MODEL / ASSEMBLY FILE: # CTGS	SIZE: D	SHEET 1 of 1

ABB PROPRIETARY AND CONFIDENTIAL INFORMATION
 The information contained in the document has to be kept strictly confidential. Any unauthorized use, reproduction, distribution or disclosure to third parties is strictly forbidden. ABB reserves all rights regarding intellectual Property Rights. Copyright 2018 ABB. All rights reserved.



18 17 16 15 14 13 12 11