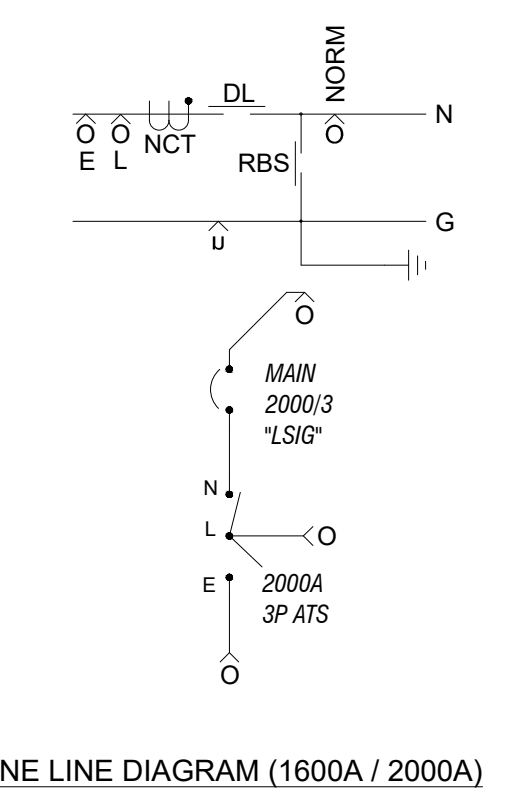
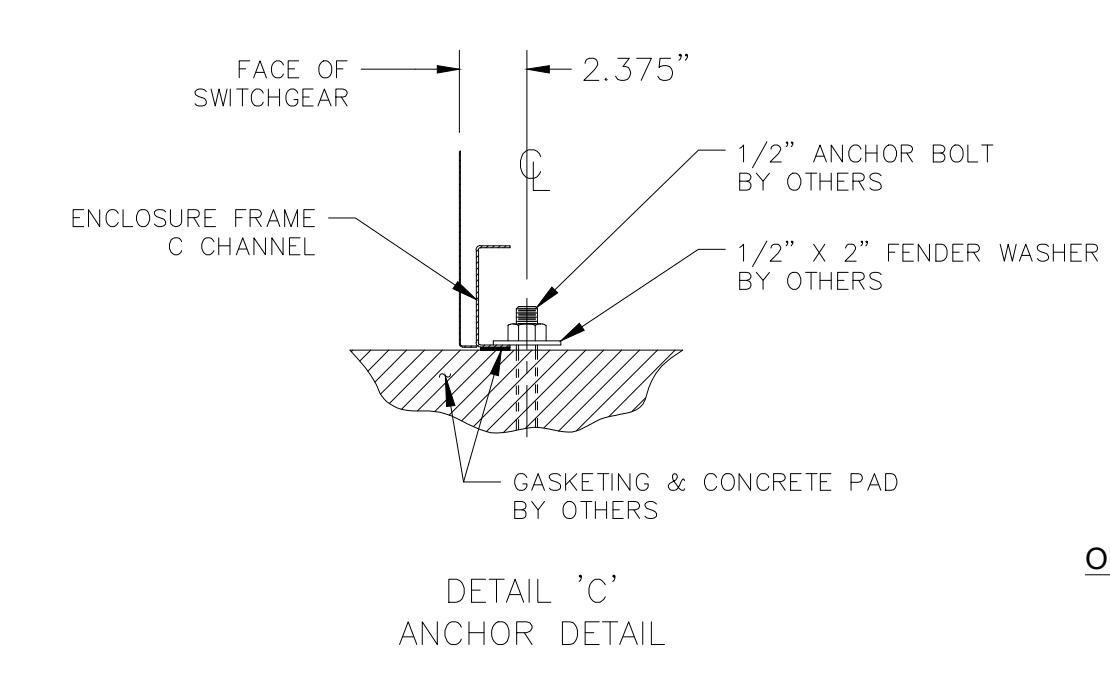
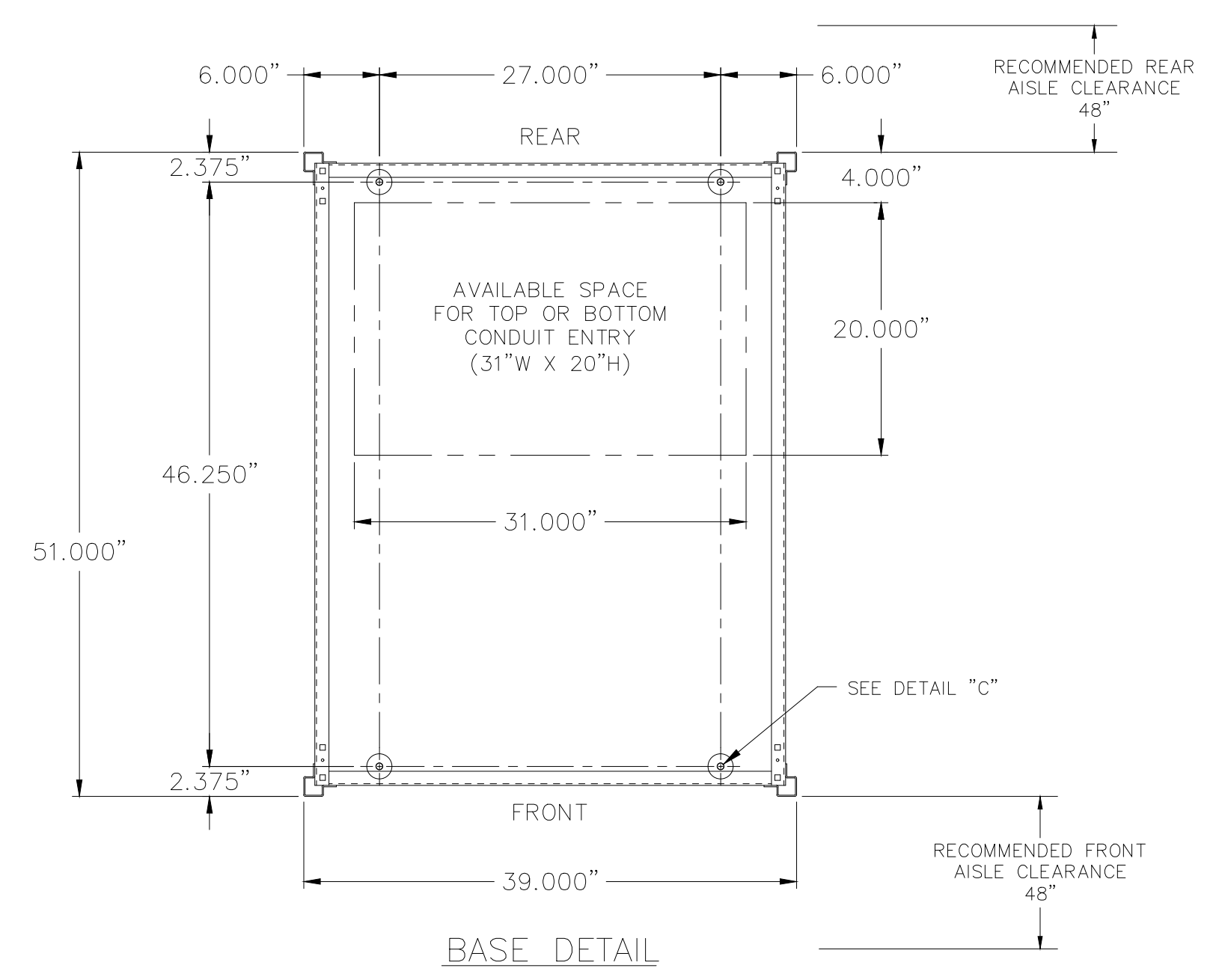


| REVISIONS |                           |        |          |
|-----------|---------------------------|--------|----------|
| REV.      | DESCRIPTION               | DATE   | APPROVED |
| 1         | C084849 ESTABLISH DRAWING | 1/7/20 | YP MAS   |



**SYMBOL LEGEND**

O & u = MECH. LUGS (SEE TABLE FOR DETAILS)

NCT = NEUTRAL CURRENT SENSOR

RBS = REMOVABLE GROUND STRAP

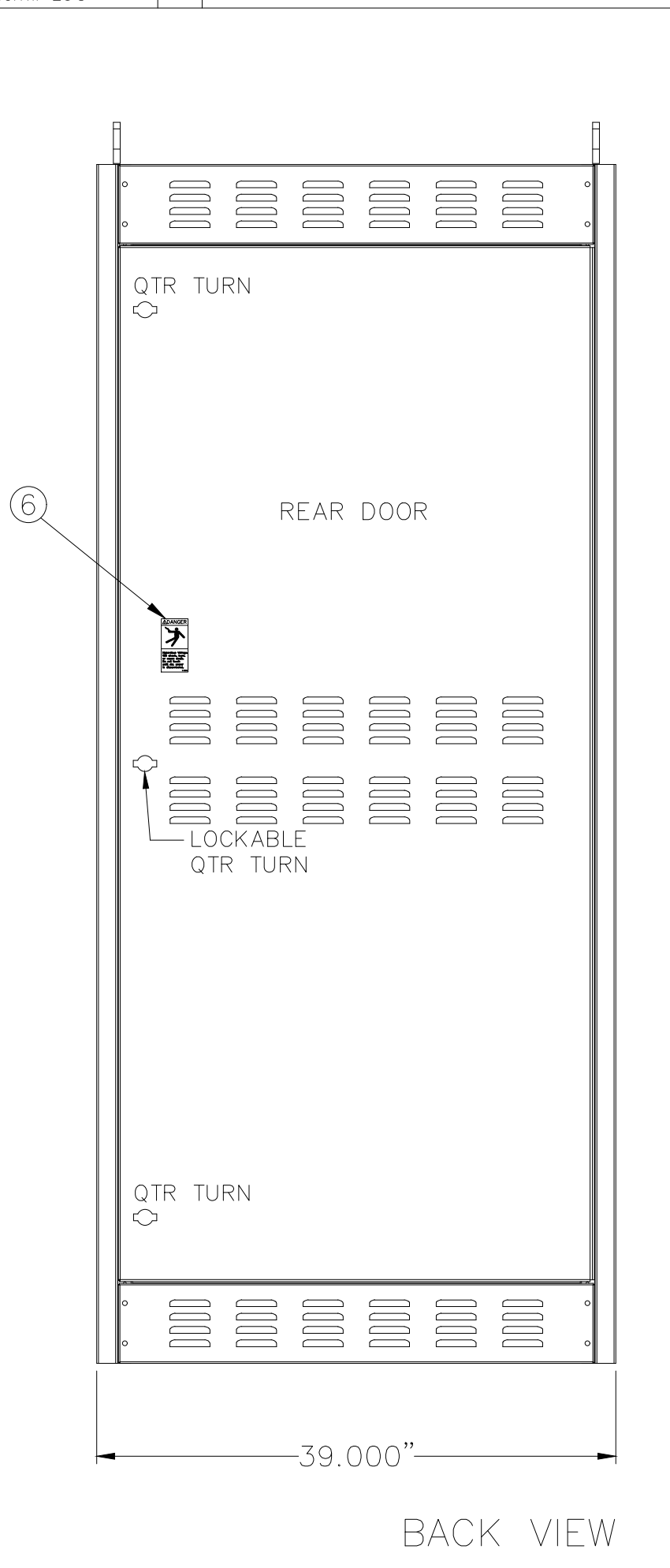
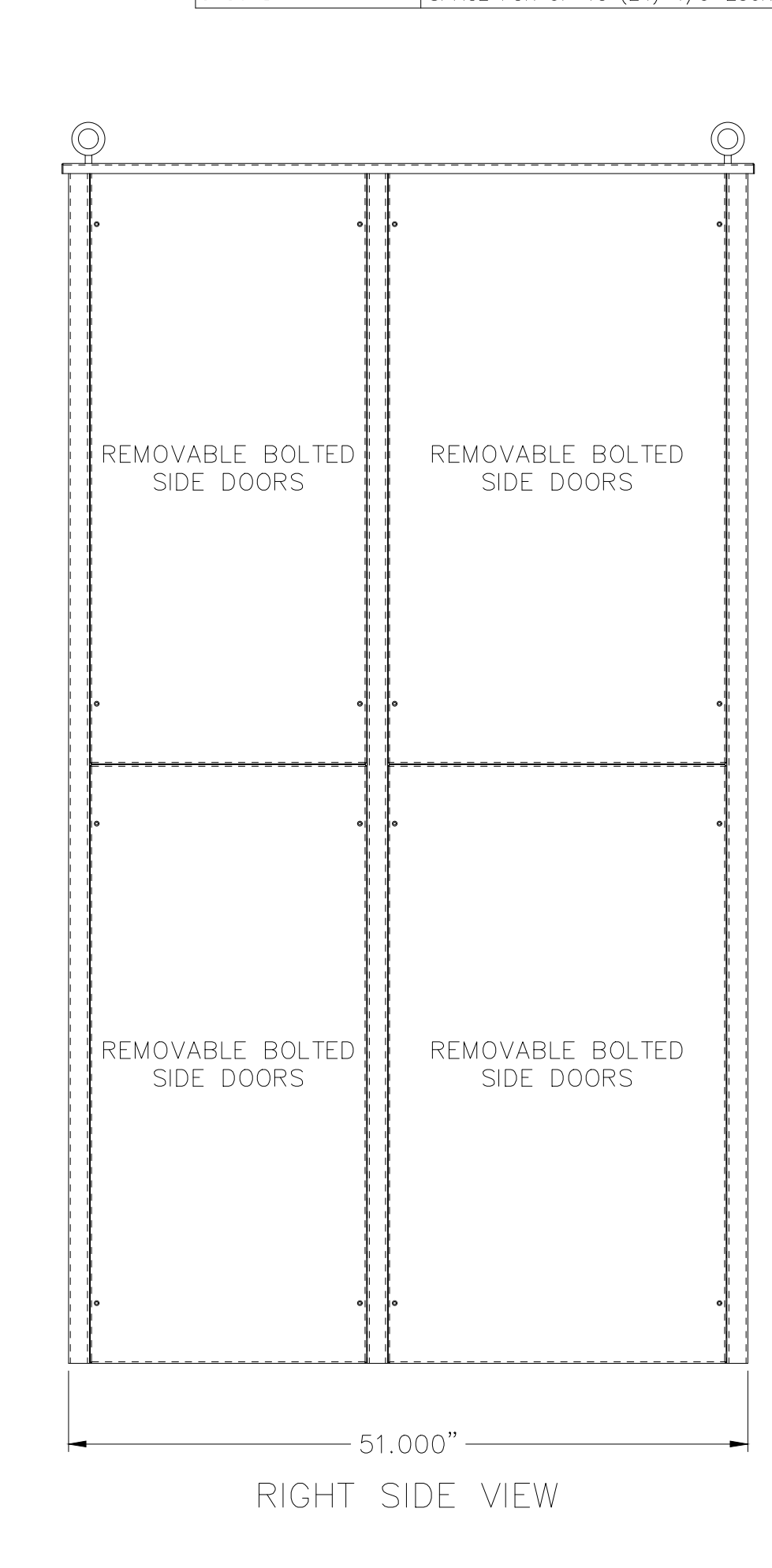
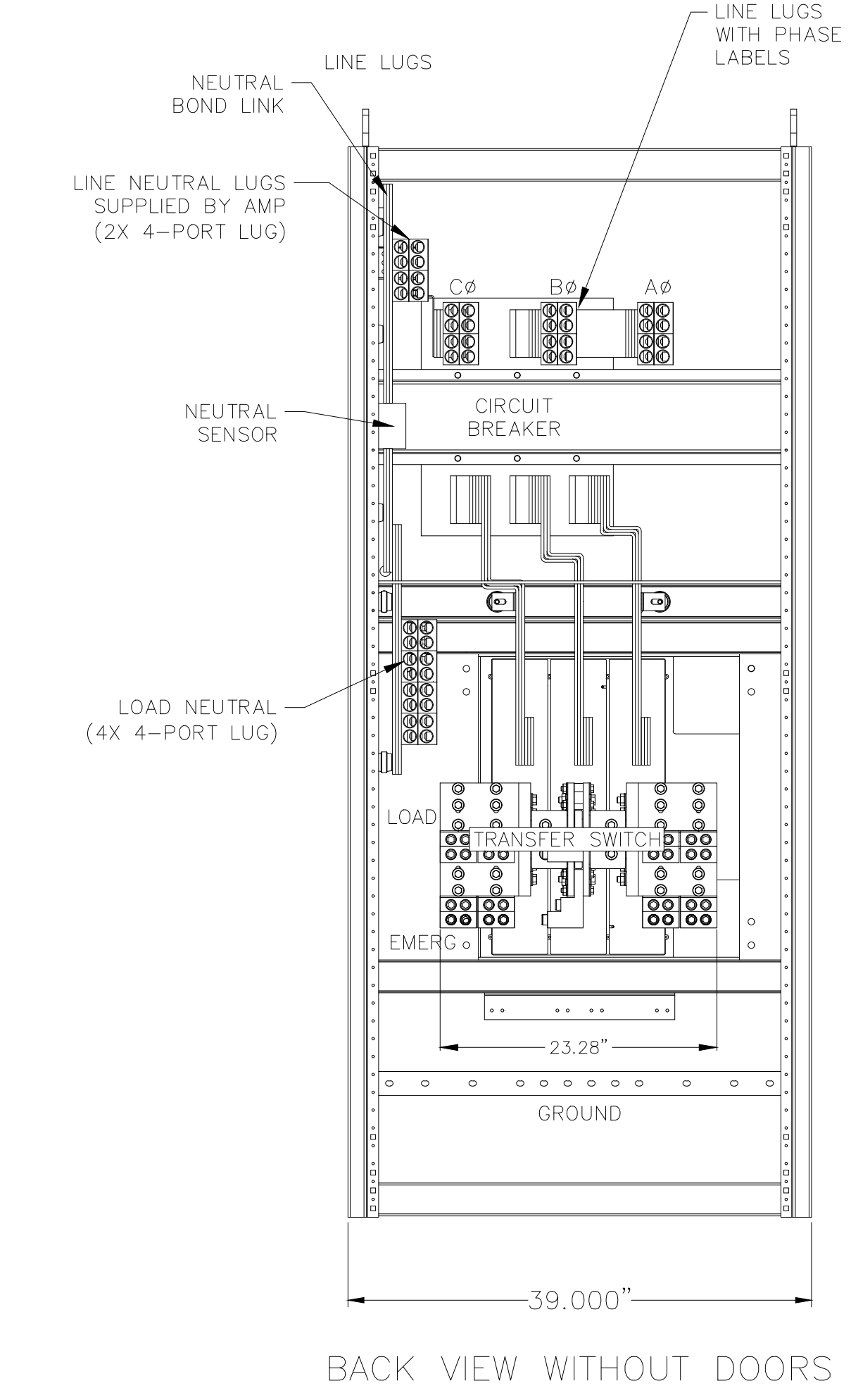
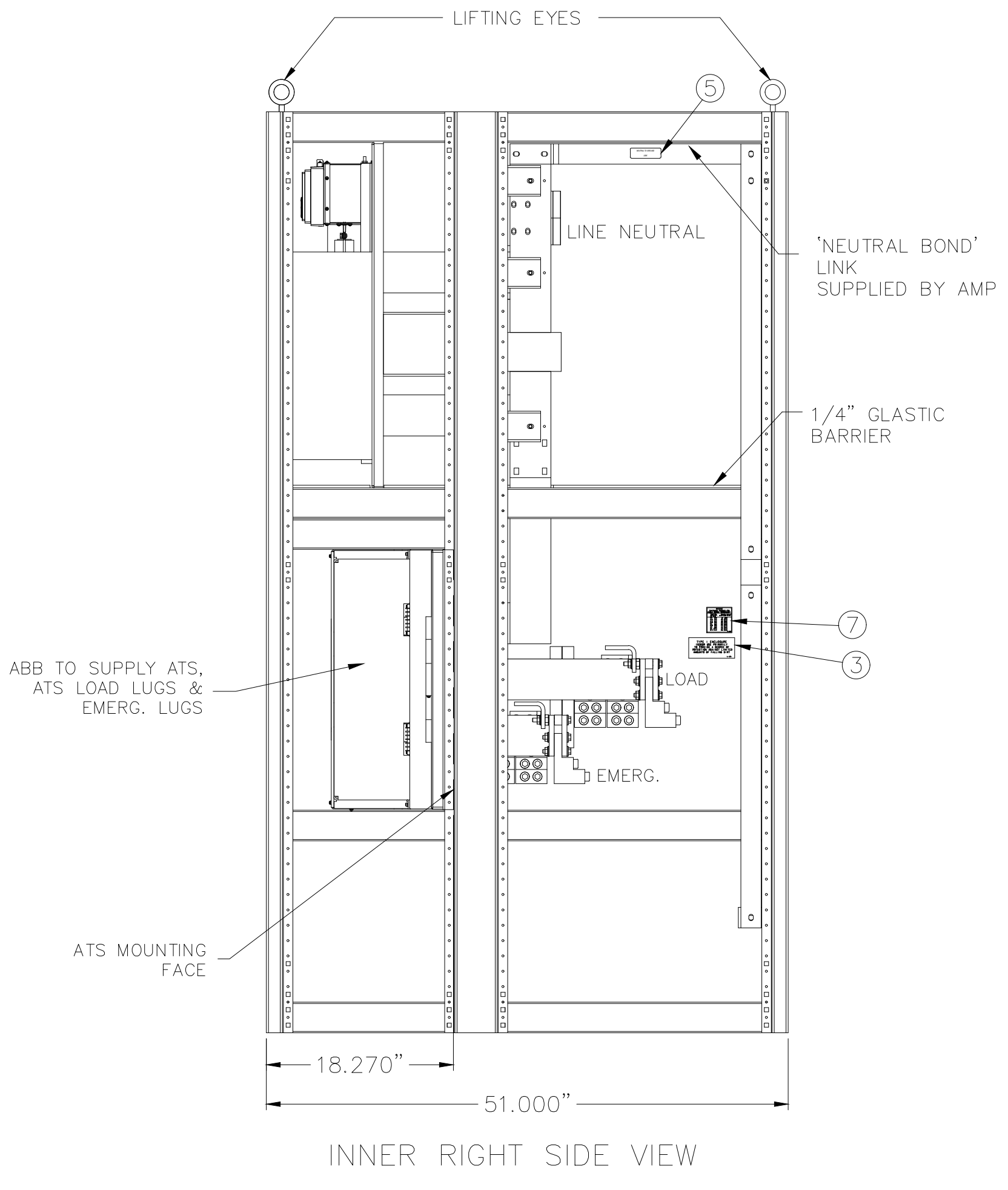
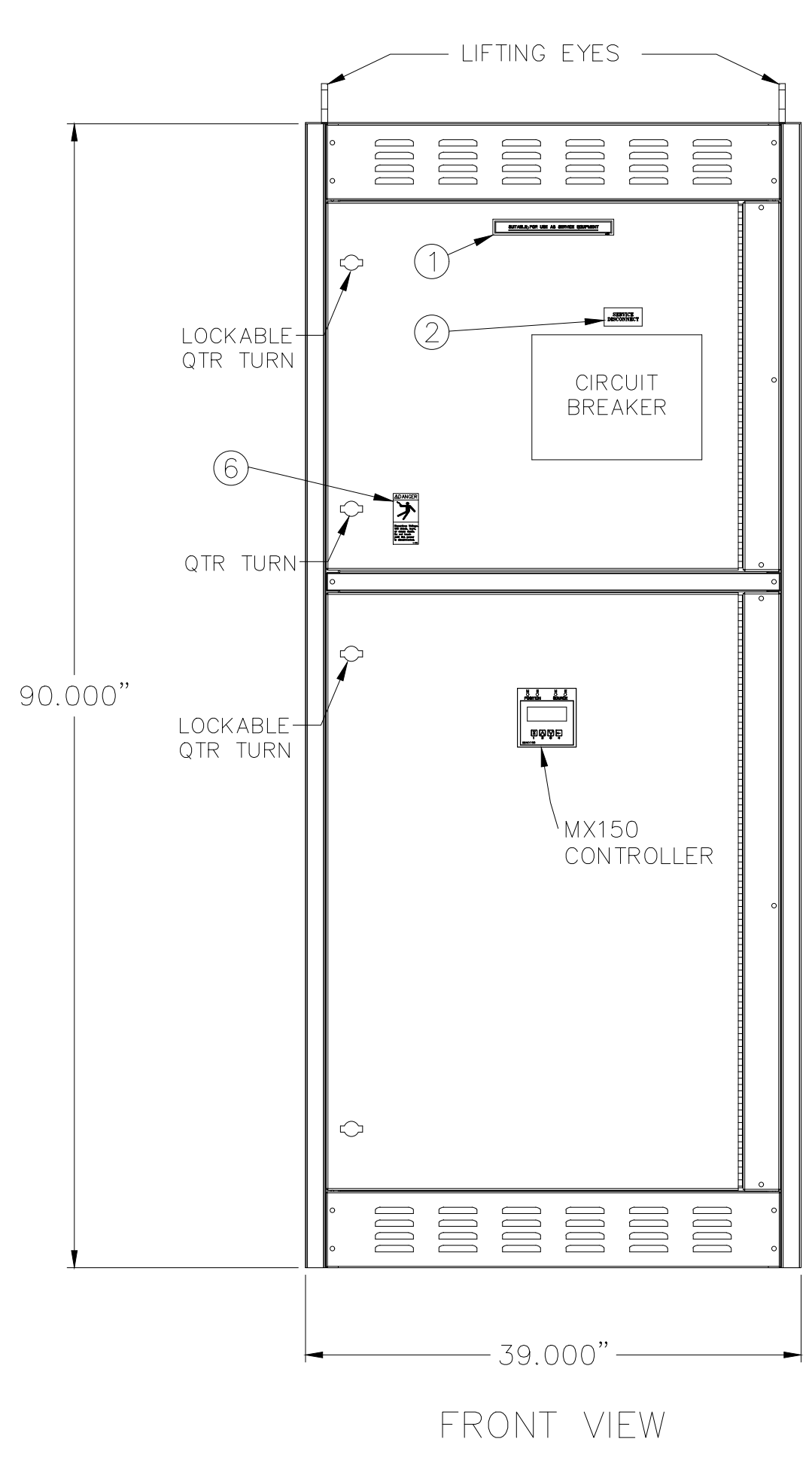
DL = NEUTRAL DISCONNECT LINK

N = NORMAL

E = EMERGENCY

L = LOAD

| NOTES   |                                       |                                     |
|---|---------------------------------------|-------------------------------------|
| SYSTEM RATING: 100KA                                    |                                       |                                     |
| ENCLOSURE:  | NEMA 1 TYPE                           | <b>LABELS</b>                       |
| INSTALLATION:   | FLOOR MOUNTED                         | 1. SUITABLE FOR AS SERVICE ENTRANCE |
| FINISH:   | ANSI 61 GRAY                          | 2. SERVICE DISCONNECT               |
| ACCESS:   | REAR & SIDES                          | 3. TYPE 1 ENCLOSURE                 |
| <b>COMPONENTS RATING AND SPECIFICATIONS (ATS):</b>      |                                       |                                     |
| SERVICE ENTRANCE:                                       | 1600-2000A, 3 POLE UNIT, FULLY RATED  | 4. UL891 (ON INNER SIDE OF DOOR)    |
| SHORT CIRCUIT WITHSTAND AND CLOSING RATING (UL)         | 100kAIC @ 480V                        | 5. NEUTRAL TO GROUND LINK           |
| <b>CIRCUIT BREAKER:</b>                                 |                                       |                                     |
| GE PBII-ICCB, EntelliGuard TU Trip unit, LSIG TRIP UNIT |                                       |                                     |
| MOUNT TYPE:   | STATIONARY                            |                                     |
| SIZE:   | 2000AF/2000AT-1600AT                  |                                     |
| SHORT CIRCUIT INTERRUPT RATING                          | 65kAIC @ 600V/100kAIC @ 480V          |                                     |
| U.L. LABEL  | 891                                   |                                     |
| <b>BUS:</b>   |                                       |                                     |
| MATERIAL: COPPER 1000A/in (2-1/4" X 4" PHASE/NEUTRAL)   |                                       |                                     |
| (1-1/4" X 2" GROUND BUS)                                |                                       |                                     |
| <b>CABLE:</b>   |                                       |                                     |
| 52-N  | (8)-600Kcmil PER PHASE & NEUTRAL      |                                     |
| LOAD  | (8)-600Kcmil PER PHASE & NEUTRAL      |                                     |
| EMERGENCY   | (8)-600Kcmil PER PHASE & NEUTRAL      |                                     |
| GROUND  | SPACE FOR UP TO (24)-1/0-250Kcmil LUG |                                     |



| FOR ADDITIONAL INFO REFER TO  |         | SIGNATURES                         |           | DATE   |
|---|---------|------------------------------------|-----------|--------|
| APPLIED PRACTICES UNLESS OTHERWISE SPECIFIED DIMENSIONS ARE IN INCHES | DETAIL  | MODEL                              | MRR       | 1/7/20 |
| TOLERANCES ON:  | CHECKED | ENGRG                              | YP        | 1/7/20 |
| 2 PL. DECIMALS ± .020   |         | MFG                                |           |        |
| 3 PL. DECIMALS ± .005   |         | QUALITY                            |           |        |
| ANGLES ± 1°   |         | ISSUED                             |           |        |
| FRACTIONS ± 1/64  |         | DRAWING FILE:                      | 50c-4224G |        |
| FINISH ✓  |         | MODEL / ASSEMBLY FILE:             | D         |        |
| AutoCad Generated   | # CTQs  | CRITICAL TO QUALITY CHARACTERISTIC |           |        |

**ABB**

TITLE: 1600A/2000A SERVICE ENTRANCE (3P-N1) OUTLINE DRAWING

FIRST MADE FOR: ZTGS20(3P-N1)

SIZE: D CAGE CODE: DWG NO: 50C-4224G

SCALE: NONE SHEET 1 of 1

**ABB PROPRIETARY AND CONFIDENTIAL INFORMATION**

The information contained in this document has to be kept strictly confidential. Any unauthorized use, reproduction, distribution or disclosure to third parties is strictly forbidden. ABB reserves all rights regarding intellectual property rights. Copyright 2018 ABB. All rights reserved.

