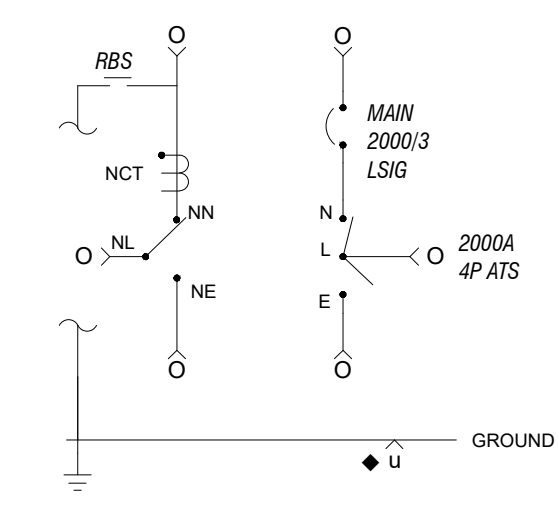
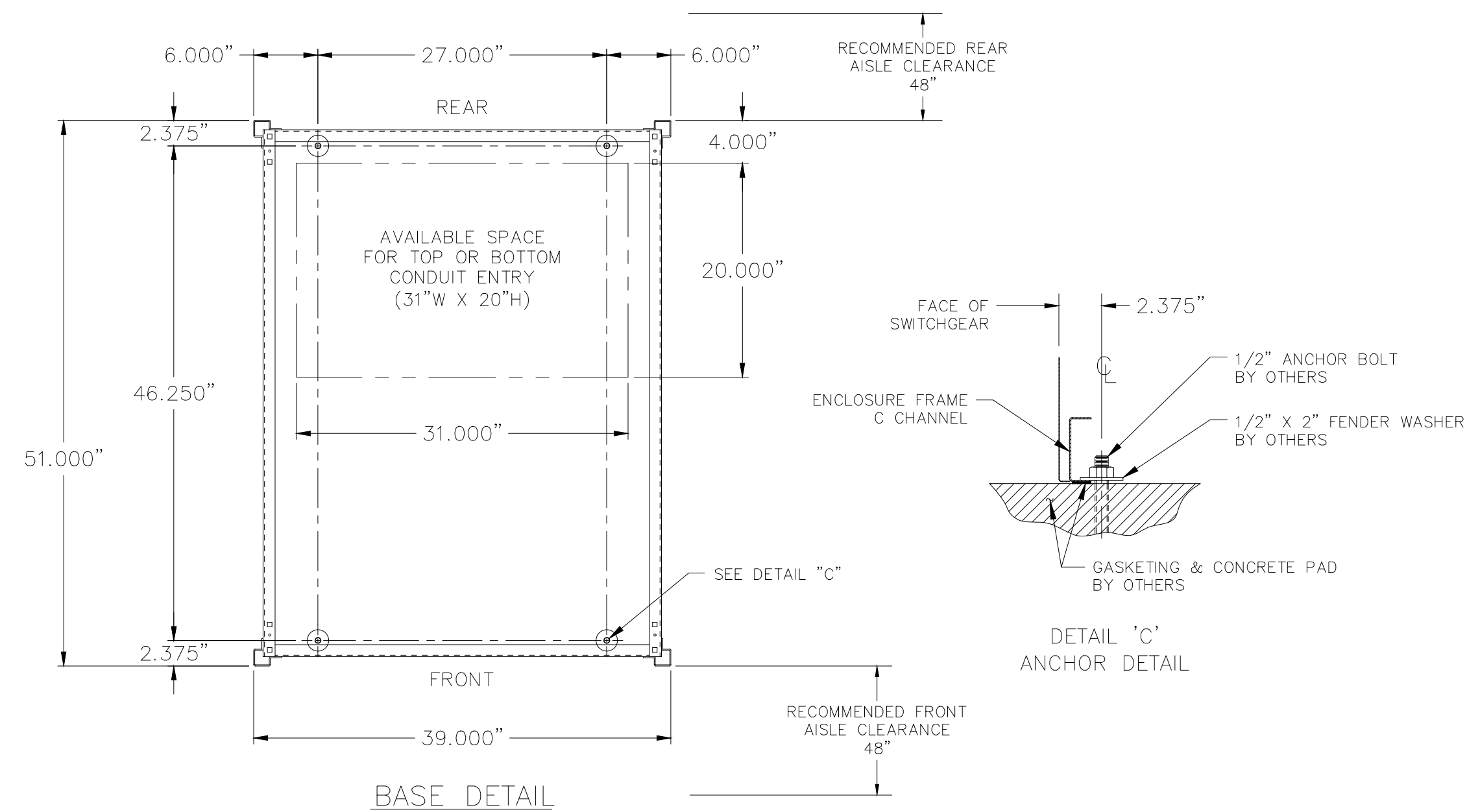


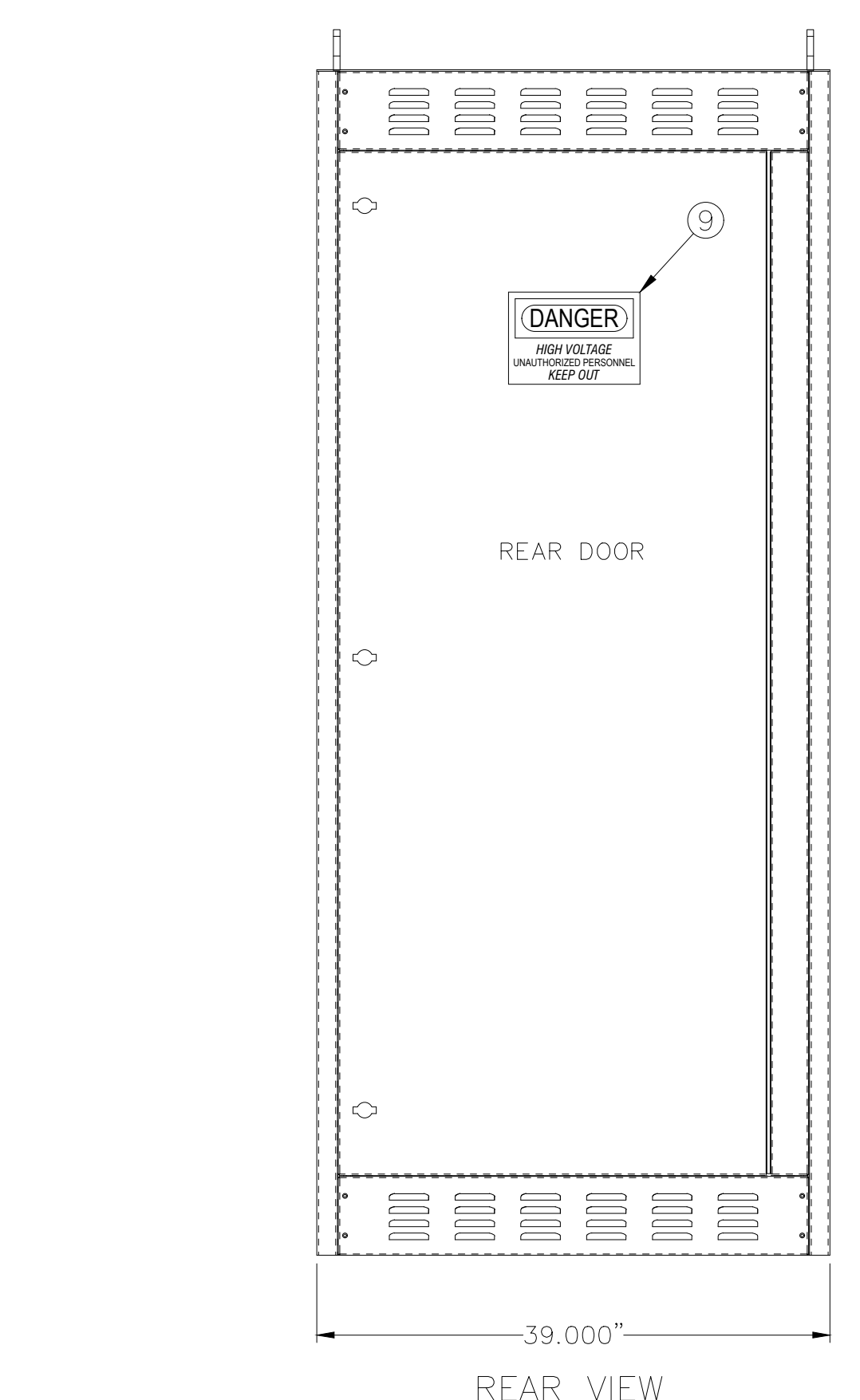
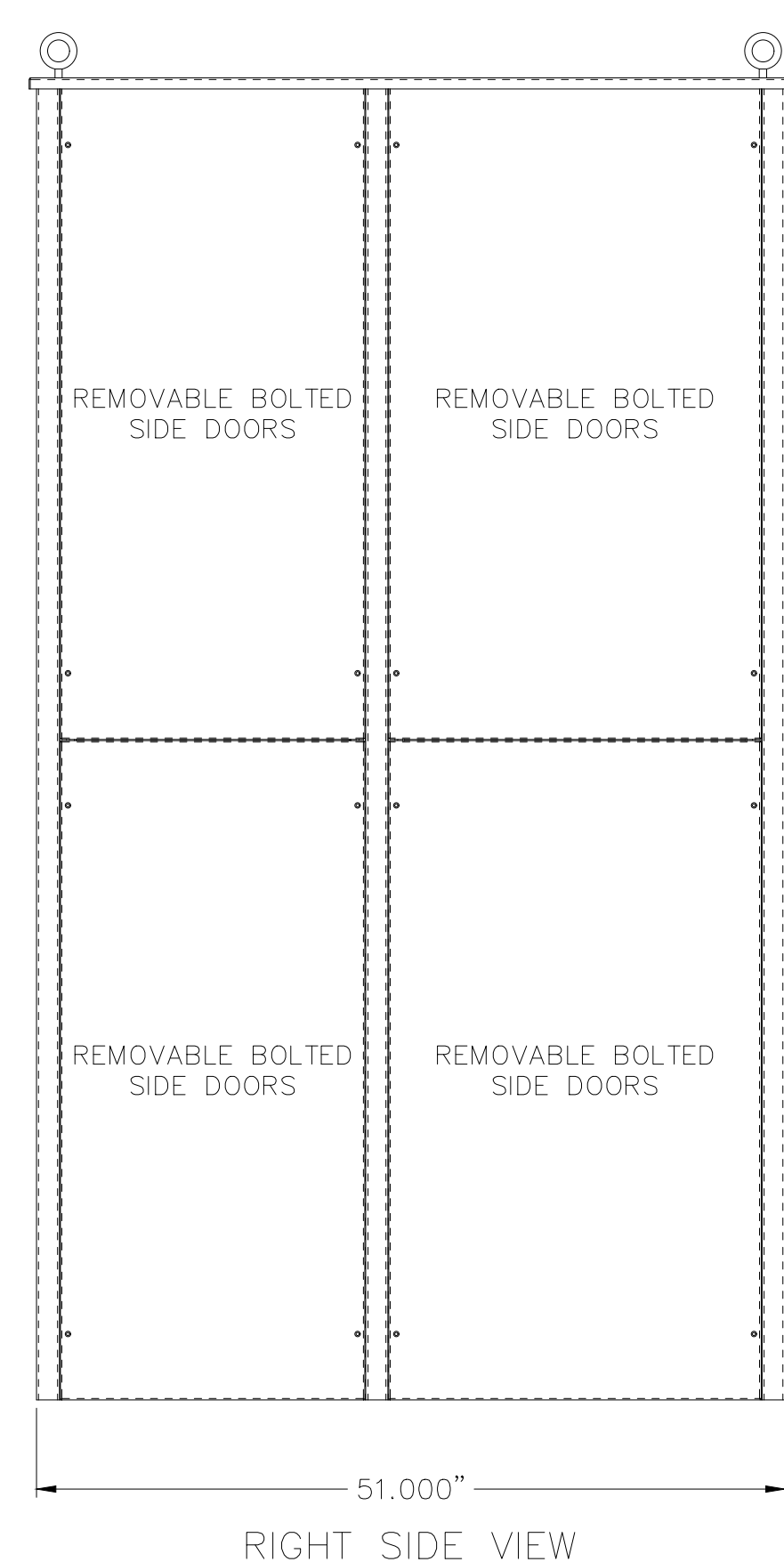
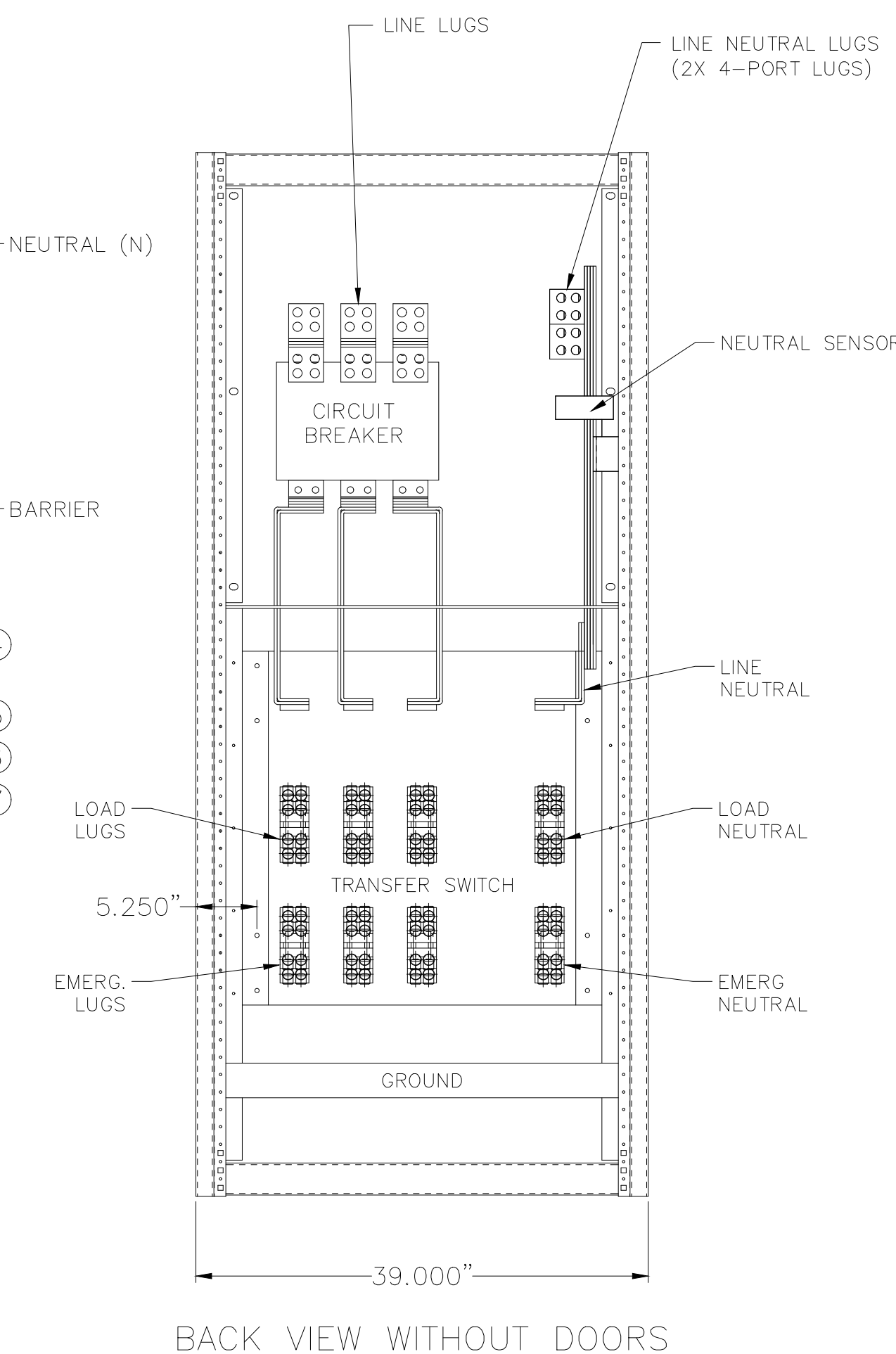
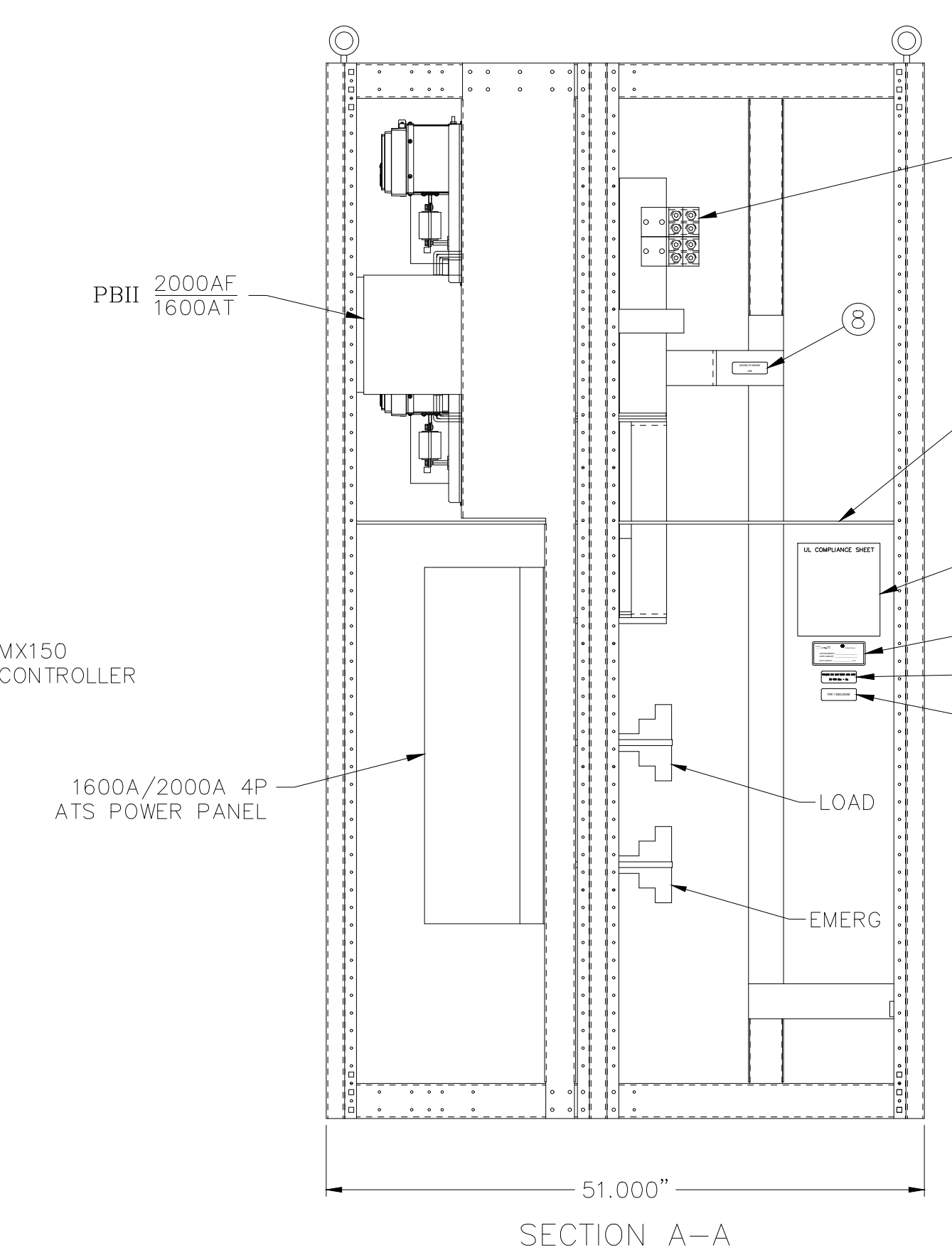
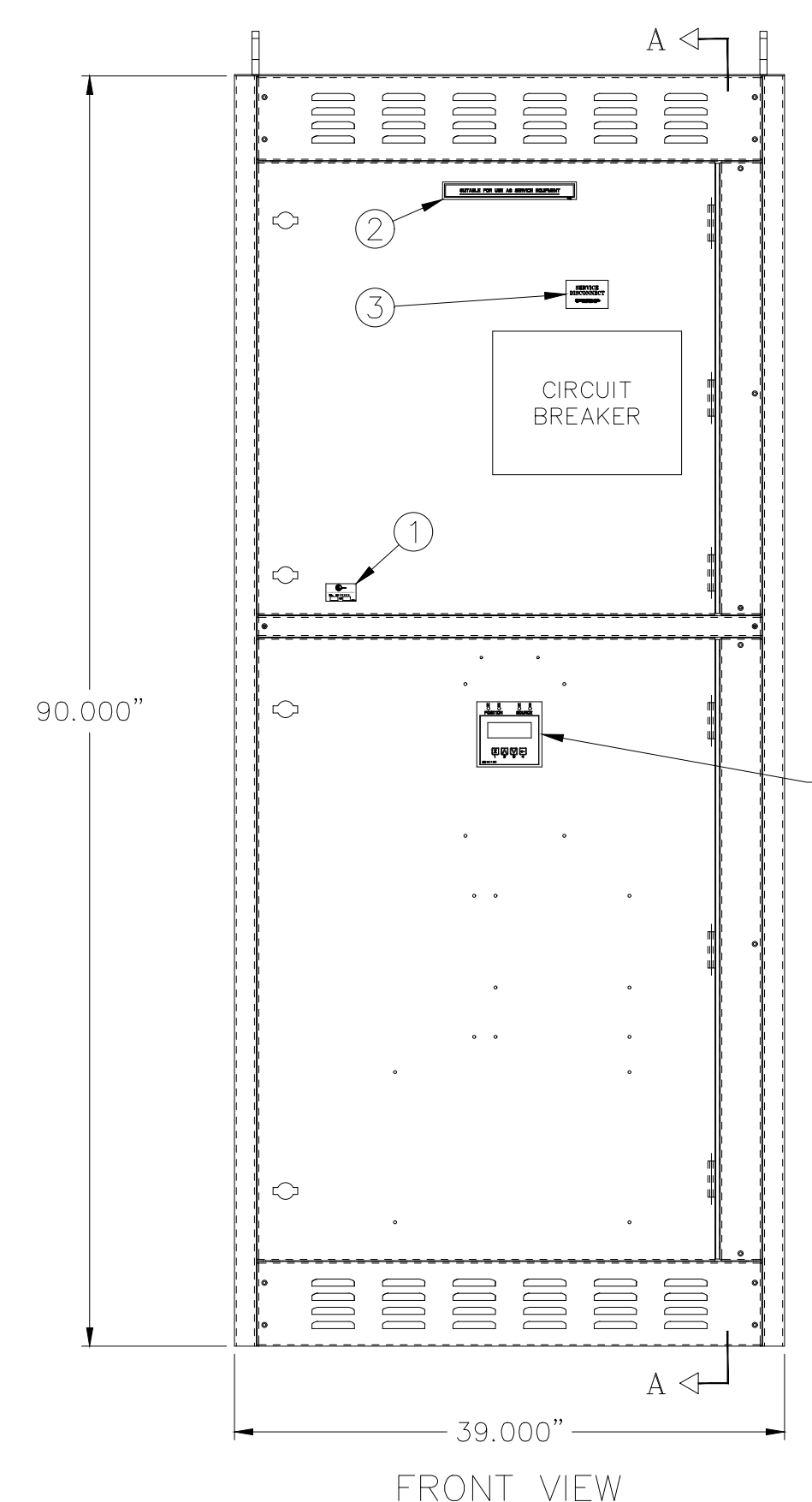
REVISIONS			
REV.	DESCRIPTION	DATE	APPROVED
1	C075076 UPDATED REBRANDING	09/09/19	AR MAS

NOTES		
SYSTEM RATING: 100KA		
ENCLOSURE:	NEMA 1 TYPE	LABELS
INSTALLATION:	FLOOR MOUNTED	1. UL891 (ON INNER SIDE OF DOOR)
FINISH:	ANSI 61 GRAY	2. SUITABLE FOR AS SERVICE ENTRANCE
ACCESS:	REAR & SIDES	3. SERVICE DISCONNECT
COMPONENTS RATING AND SPECIFICATIONS (ATS):		4. UL COMPLIANCE SHEET
SERVICE ENTRANCE:	1600-2000A, 4 POLE UNIT, FULLY RATED	5. SECTION AMPACITY
SHORT CIRCUIT WITHSTAND AND CLOSING RATING (UL)	100kAIC @ 480V	6. 500-1000 MCM TORQUE
CIRCUIT BREAKER:		7. TYPE 1 ENCLOSURE
GE PBII-ICCB, MICRO-VERSA TRIP PLUS, LSIG TRIP UNIT		8. NEUTRAL TO GROUND LINK
BUS:		9. HIGH VOLTAGE DANGER
MOUNT TYPE:	STATIONARY	
SIZE:	2000AF/2000AT-1600AT	
SHORT CIRCUIT INTERRUPT RATING	65kAIC @ 600V/100kAIC @ 480V	
U.L. LABEL	891	
SUITABLE TO USE AS SERVICE ENTRANCE EQUIPMENT		
MATERIAL:		
	COPPER 1000A/in (2-1/4" X 4" PHASE/NEUTRAL)	
	(1-1/4" X 2" GROUND BUS)	
FINISH:		
	SILVER PLATED	
CABLE:		
52-N	(8)-600Kcmil PER PHASE & NEUTRAL	
LOAD	(8)-600Kcmil PER PHASE & NEUTRAL	
EMERGENCY	(8)-600Kcmil PER PHASE & NEUTRAL	
GROUND	SPACE FOR UP TO (24)-1/0-250Kcmil LUG	



SYMBOL LEGEND
 O & u = MECH. LUGS (SEE TABLE FOR DETAILS)
 NCT = NEUTRAL CURRENT SENSOR
 RBS = REMOVABLE GROUND STRAP
 DL = NEUTRAL DISCONNECT LINK
 N = NORMAL
 E = EMERGENCY
 L = LOAD

ONE LINE DIAGRAM (1600A / 2000A)



FOR ADDITIONAL INFO REFER TO APPLIED PRACTICES UNLESS OTHERWISE SPECIFIED DIMENSIONS ARE IN INCHES.	SIGNATURES	DATE
TOLERANCES ON: 2 PL. DECIMALS ± .020 3 PL. DECIMALS ± .005 ANGLES ± 1° FRACTIONS ± 1/64 FINISH ✓	MODEL MRR CHECKED ENGRG YP MFG QUALITY ISSUED	3/19/10 3/19/10

TITLE	
1600A/2000A SERVICE ENTRANCE (4P-N1) OUTLINE DRAWING	
FIRST MADE FOR: ZTGSE20(4P-N1)	DWG NO: 50C-4225
SCALE: NONE	SHEET 1 of 1

ABB PROPRIETARY AND CONFIDENTIAL INFORMATION
 The information contained in the document has to be kept strictly confidential.
 Any unauthorized use, reproduction, distribution or disclosure to third parties is strictly forbidden.
 ABB reserves all rights regarding intellectual Property Rights.
 Copyright 2018 ABB. All rights reserved.

