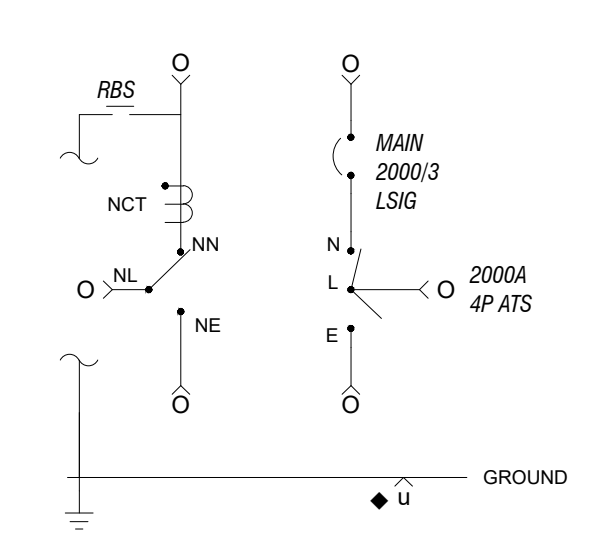
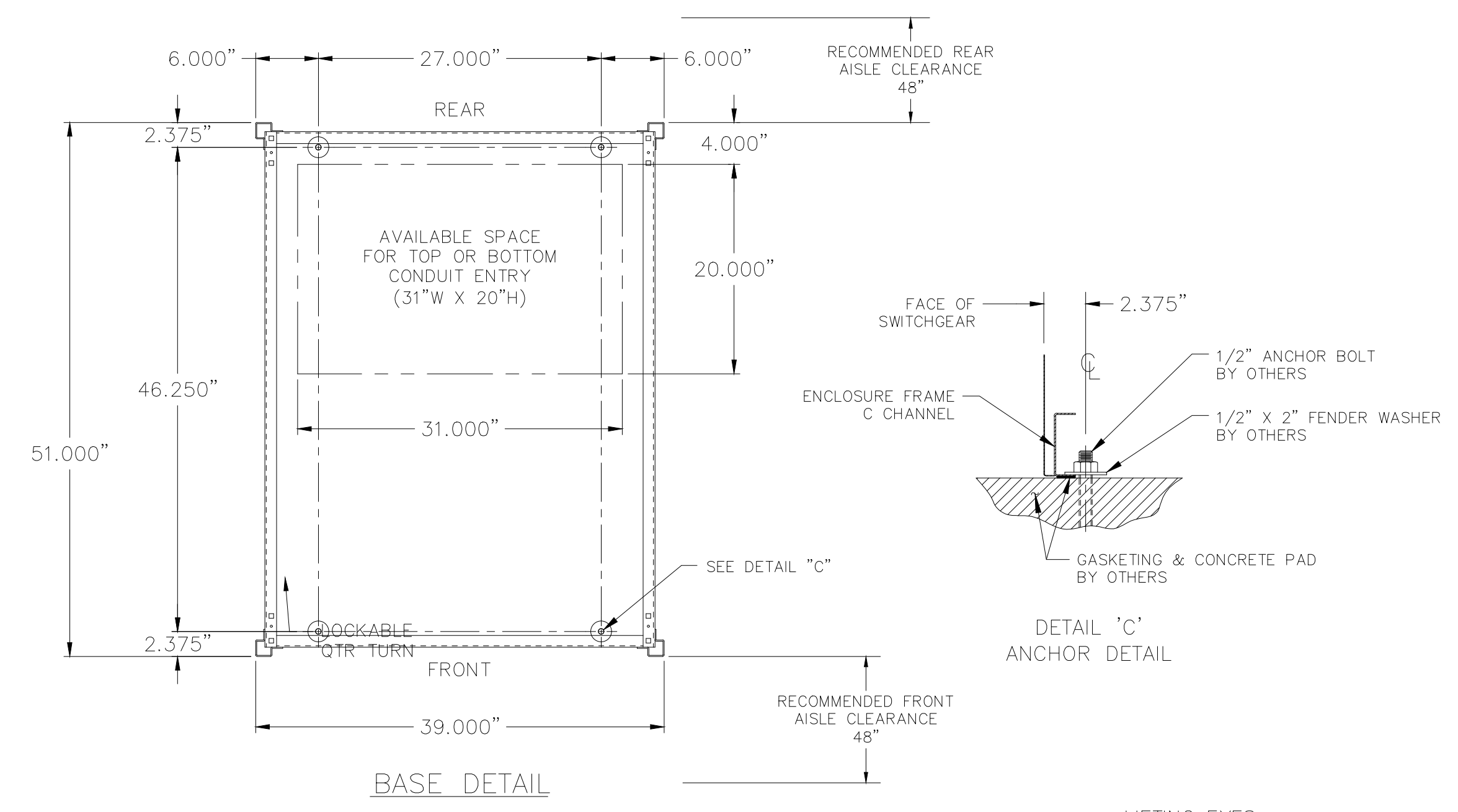
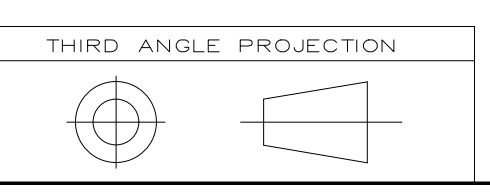
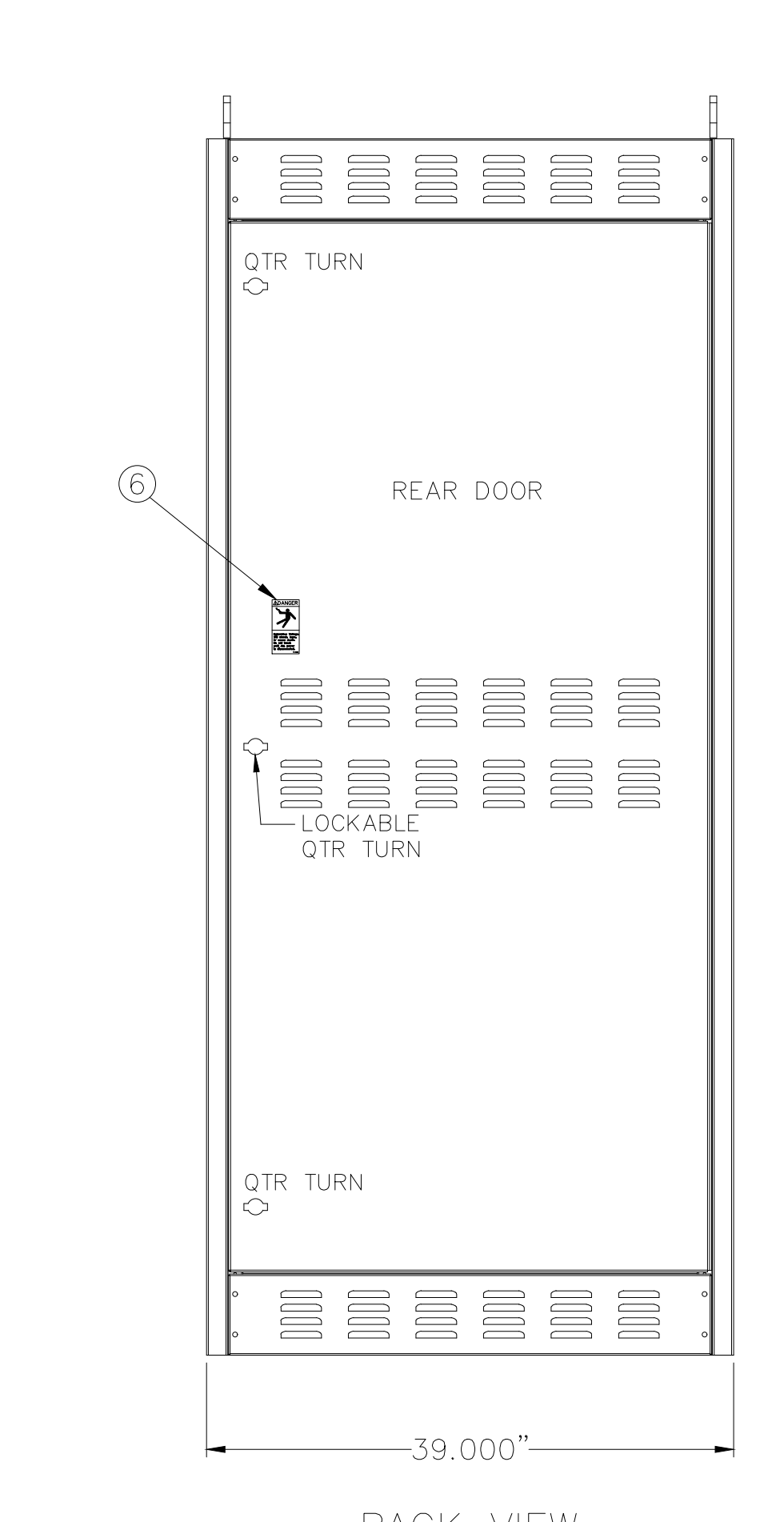
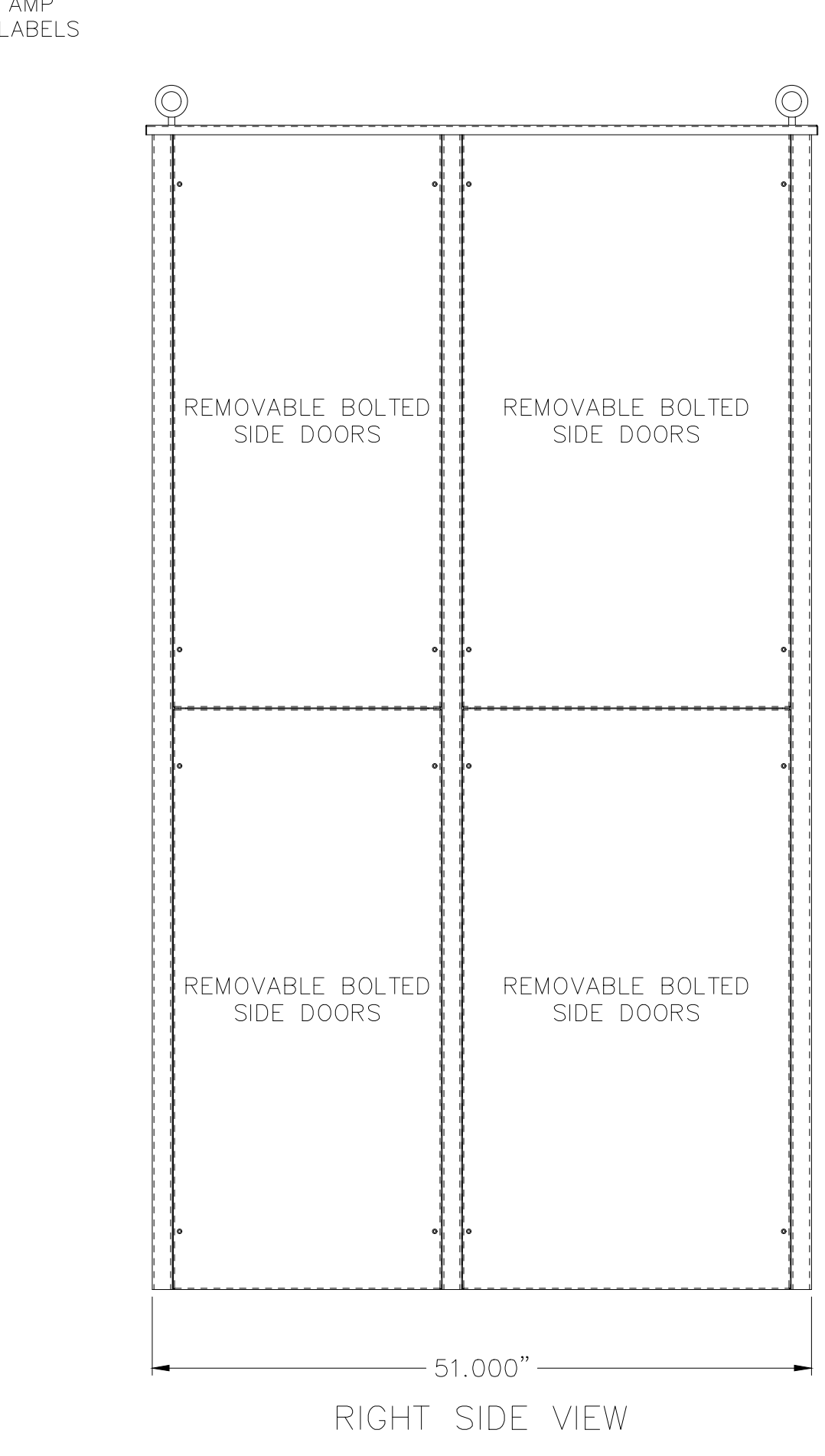
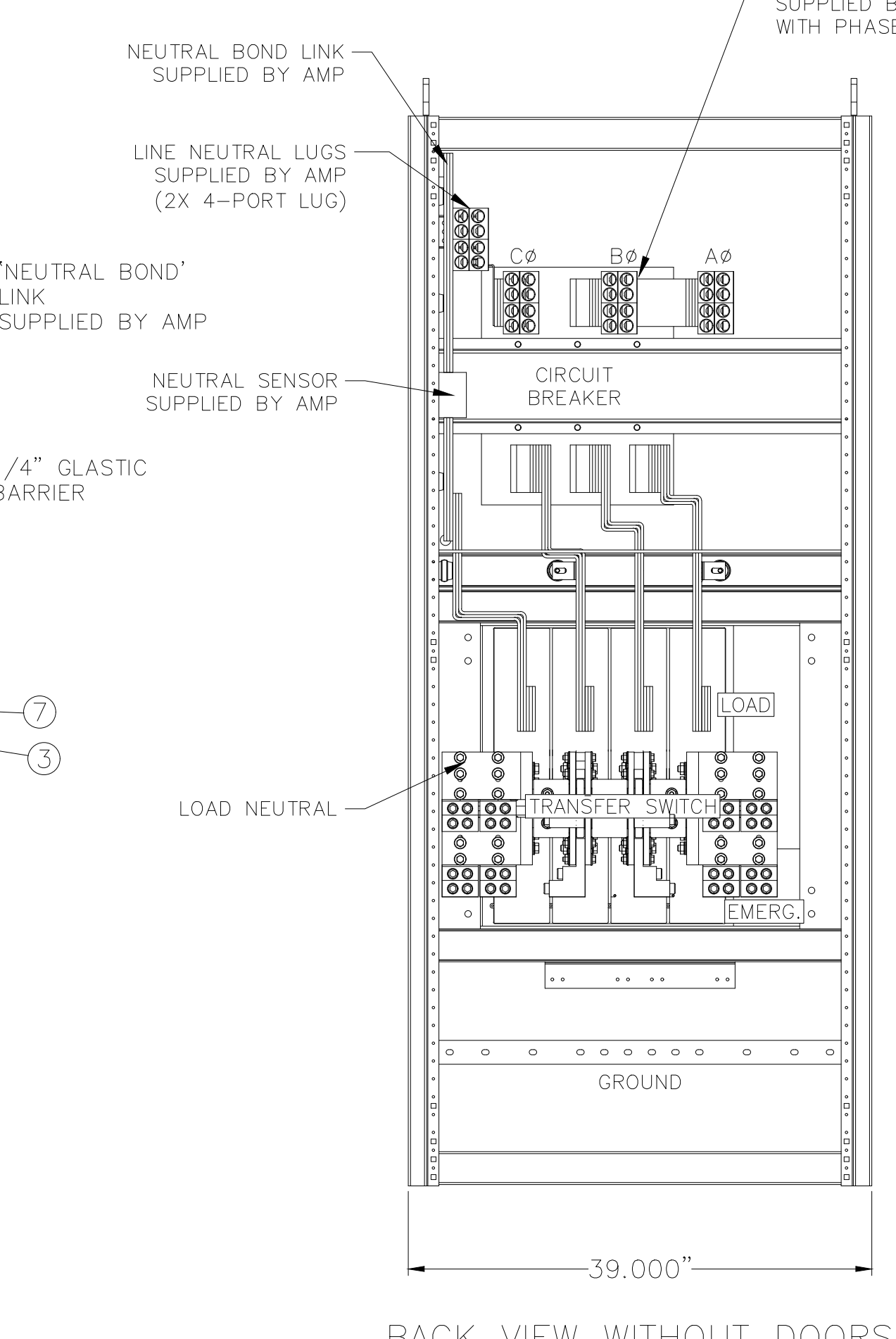
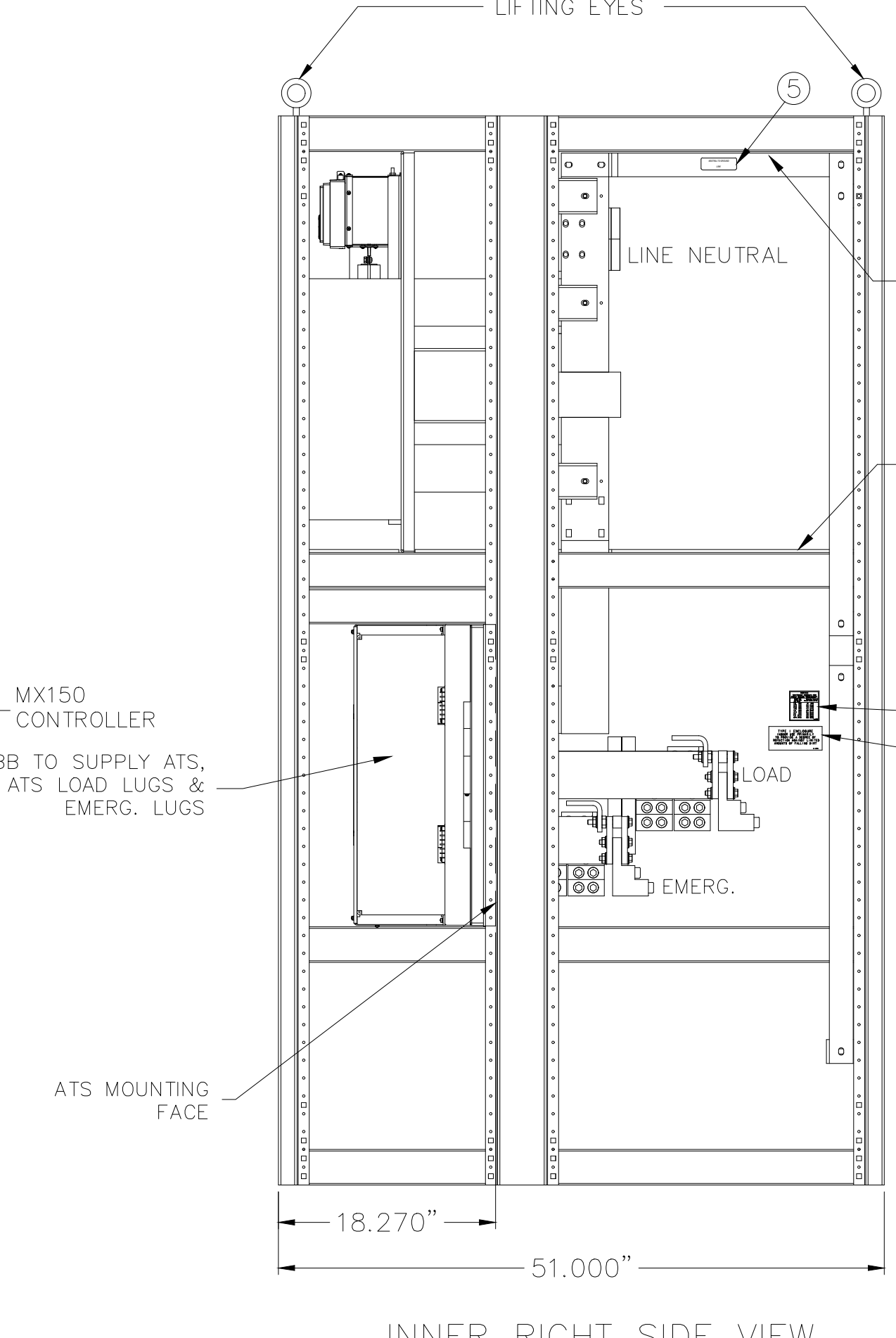
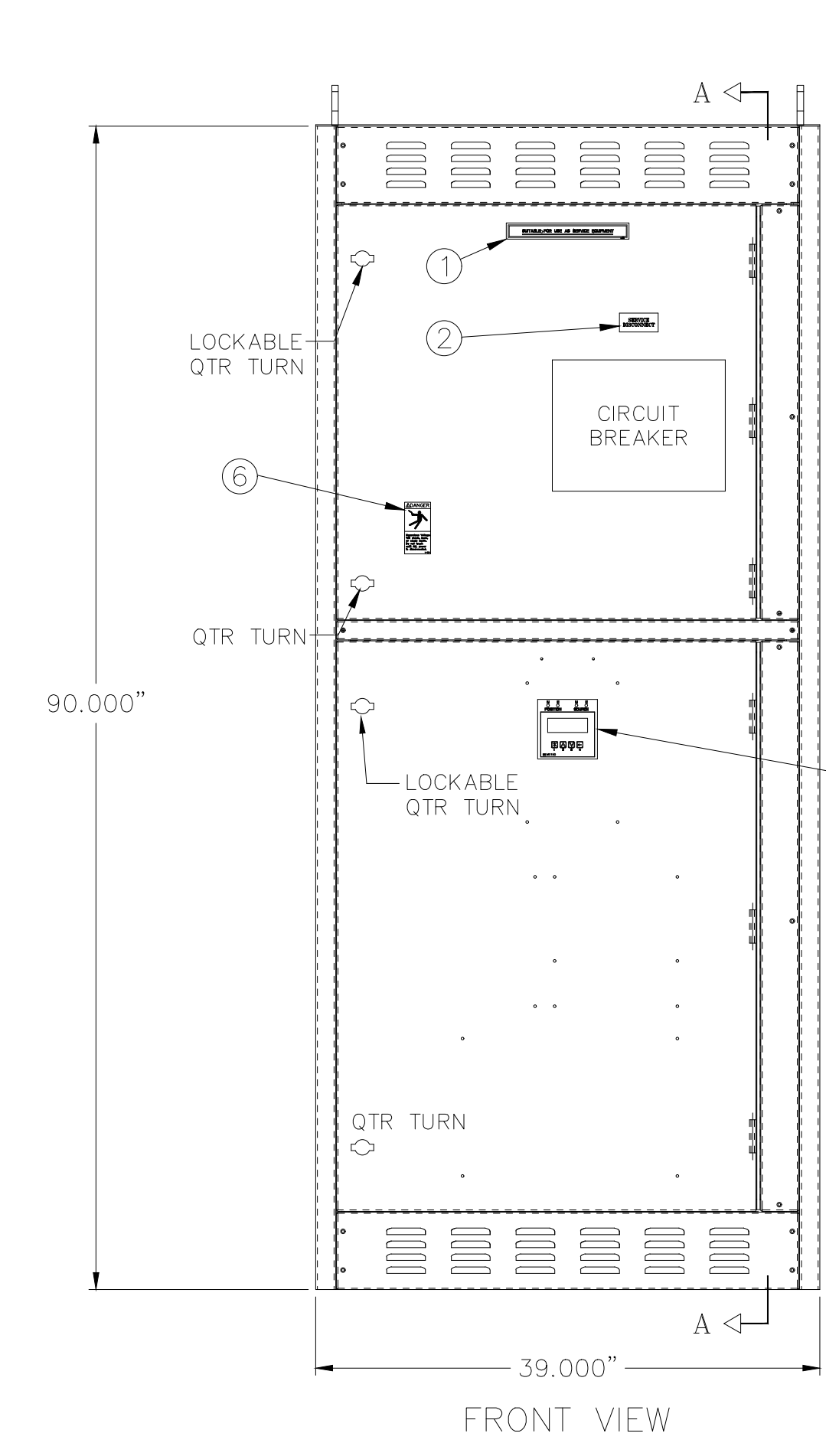


REVISIONS			
REV.	DESCRIPTION	DATE	APPROVED
1	C084849 ESTABLISH DRAWING	01/22/20	YP MAS



**SYMBOL LEGEND**  
 O & u = MECH. LUGS (SEE TABLE FOR DETAILS)  
 NCT = NEUTRAL CURRENT SENSOR  
 RBS = REMOVABLE GROUND STRAP  
 DL = NEUTRAL DISCONNECT LINK  
 N = NORMAL  
 E = EMERGENCY  
 L = LOAD

NOTES		
SYSTEM RATING: 100KA		
ENCLOSURE:	NEMA 1 TYPE	<b>LABELS</b>
INSTALLATION:	FLOOR MOUNTED	1. SUITABLE FOR AS SERVICE ENTRANCE
FINISH:	ANSI 61 GRAY	2. SERVICE DISCONNECT
ACCESS:	REAR & SIDES	3. TYPE 1 ENCLOSURE
<b>COMPONENTS RATING AND SPECIFICATIONS (ATS):</b>		4. UL891 (ON INNER SIDE OF DOOR)
SERVICE ENTRANCE:	1600-2000A, 4 POLE UNIT, FULLY RATED	5. NEUTRAL TO GROUND LINK
SHORT CIRCUIT WITHSTAND AND CLOSING RATING (UL)	100KAIC @ 480V	6. HIGH VOLTAGE DANGER (ON DOOR)
<b>CIRCUIT BREAKER:</b>		7. TORQUE LABEL - FIELD WIRING TERMINALS
GE PBII-ICCB, EntelliGuard TU Trip unit, LSIG TRIP UNIT		
MOUNT TYPE:	STATIONARY	
SIZE:	2000AF/2000AT-1600AT	
SHORT CIRCUIT INTERRUPT RATING	65KAIC @ 600V/100KAIC @ 480V	
U.L. LABEL	891	
"SUITABLE TO USE AS SERVICE ENTRANCE EQUIPMENT"		
<b>BUS:</b>		
MATERIAL:	COPPER 1000A/in (2-1/4" X 4" PHASE/NEUTRAL) (1-1/4" X 2" GROUND BUS)	
FINISH:	SILVER PLATED	
<b>CABLE:</b>		
52-N	(8)-600Kcmil PER PHASE & NEUTRAL	
LOAD	(8)-600Kcmil PER PHASE & NEUTRAL	
EMERGENCY	(8)-600Kcmil PER PHASE & NEUTRAL	
GROUND	SPACE FOR UP TO (24)-1/0-250Kcmil LUG	



**ABB PROPRIETARY AND CONFIDENTIAL INFORMATION**  
 The information contained in the document has to be kept strictly confidential.  
 Any unauthorized use, reproduction, distribution or disclosure to third parties is strictly forbidden.  
 ABB reserves all rights regarding intellectual Property Rights.  
 Copyright 2018 ABB. All rights reserved.

FOR ADDITIONAL INFO REFER TO	SIGNATURES	DATE
APPLIED PRACTICES UNLESS OTHERWISE SPECIFIED DIMENSIONS ARE IN INCHES	MODEL MRR	3/19/10
TOLERANCES ON:	CHECKED	
2 PL. DECIMALS ± .020	ENGRG YP	3/19/10
3 PL. DECIMALS ± .005	MFG	
ANGLES ± 1'	QUALITY	
FRACTIONS ± 1/64	ISSUED	
FINISH ✓	DRAWING FILE: 50c-4225G.dwg	
AutoCad Generated	MODEL / ASSEMBLY FILE:	
# CTQS	CRITICAL TO QUALITY CHARACTERISTIC	

<b>ABB</b>	
TITLE	
1600A/2000A SERVICE ENTRANCE (4P-N1) OUTLINE DRAWING	
FIRST MADE FOR: ZTGS20(4P-N1)	SIZE / CAGE CODE
DWG NO	DWG NO
50C-4225G	50C-4225G
SCALE: NONE	SHEET 1 of 1