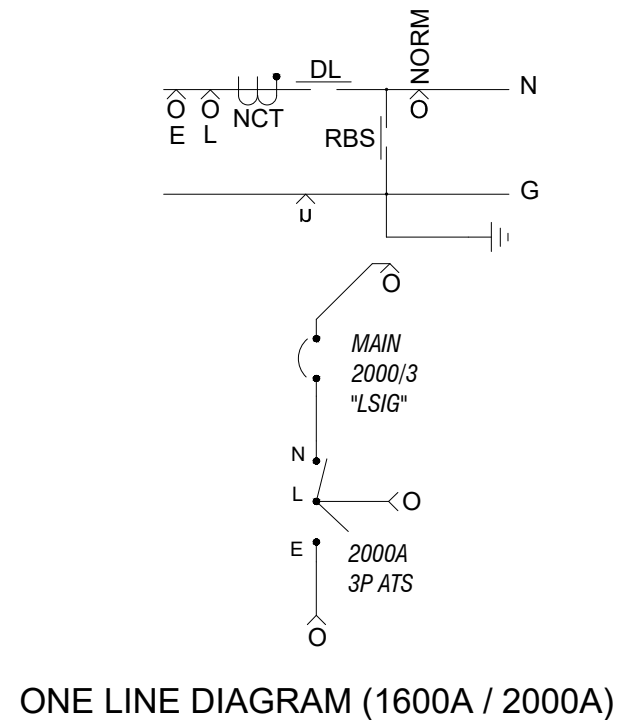
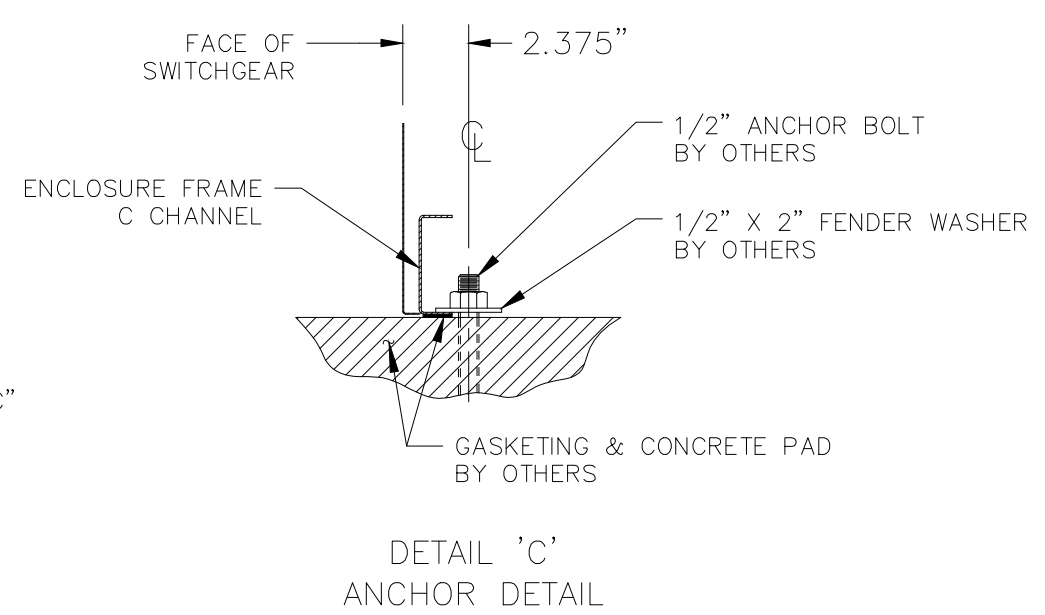
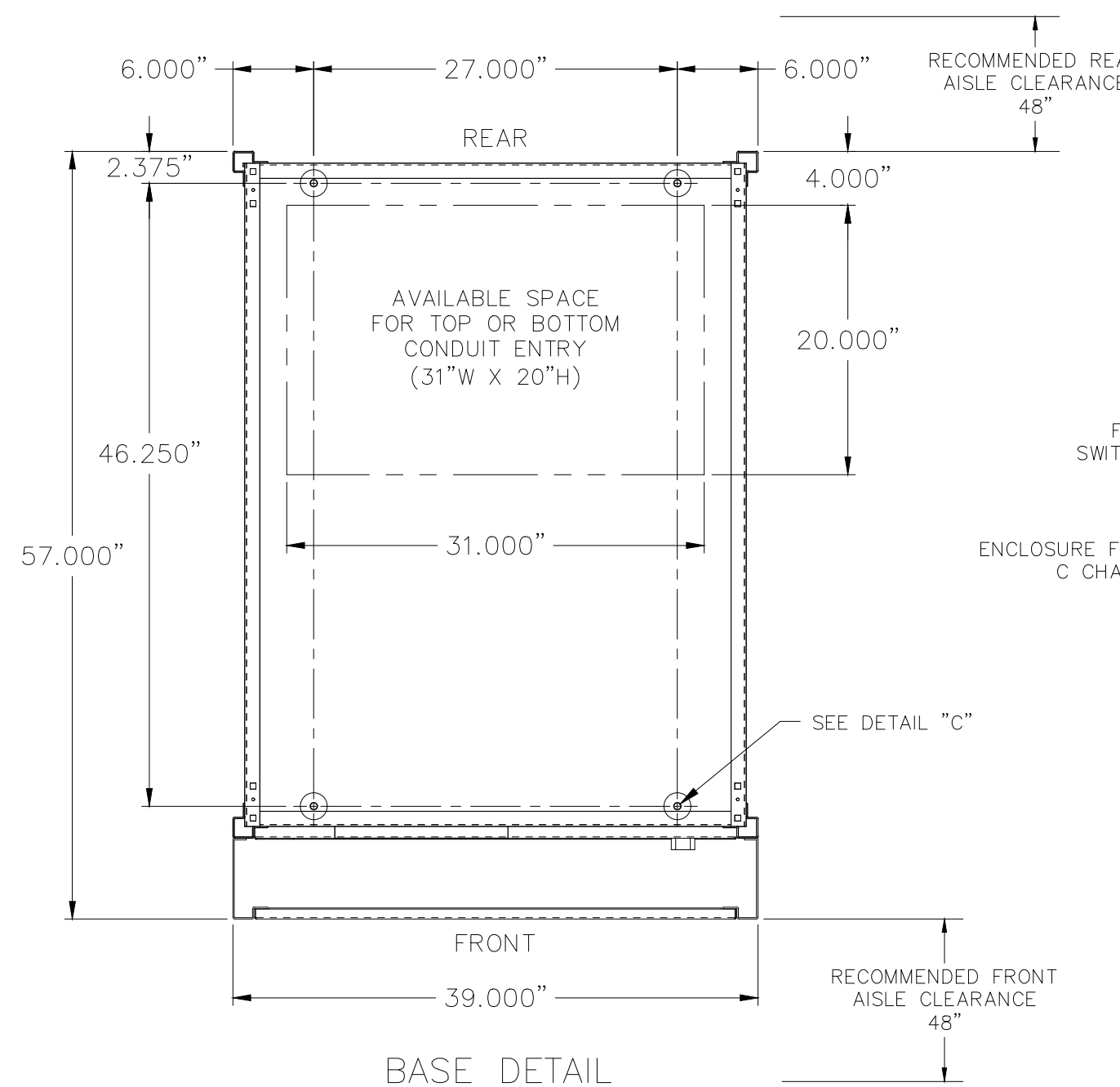
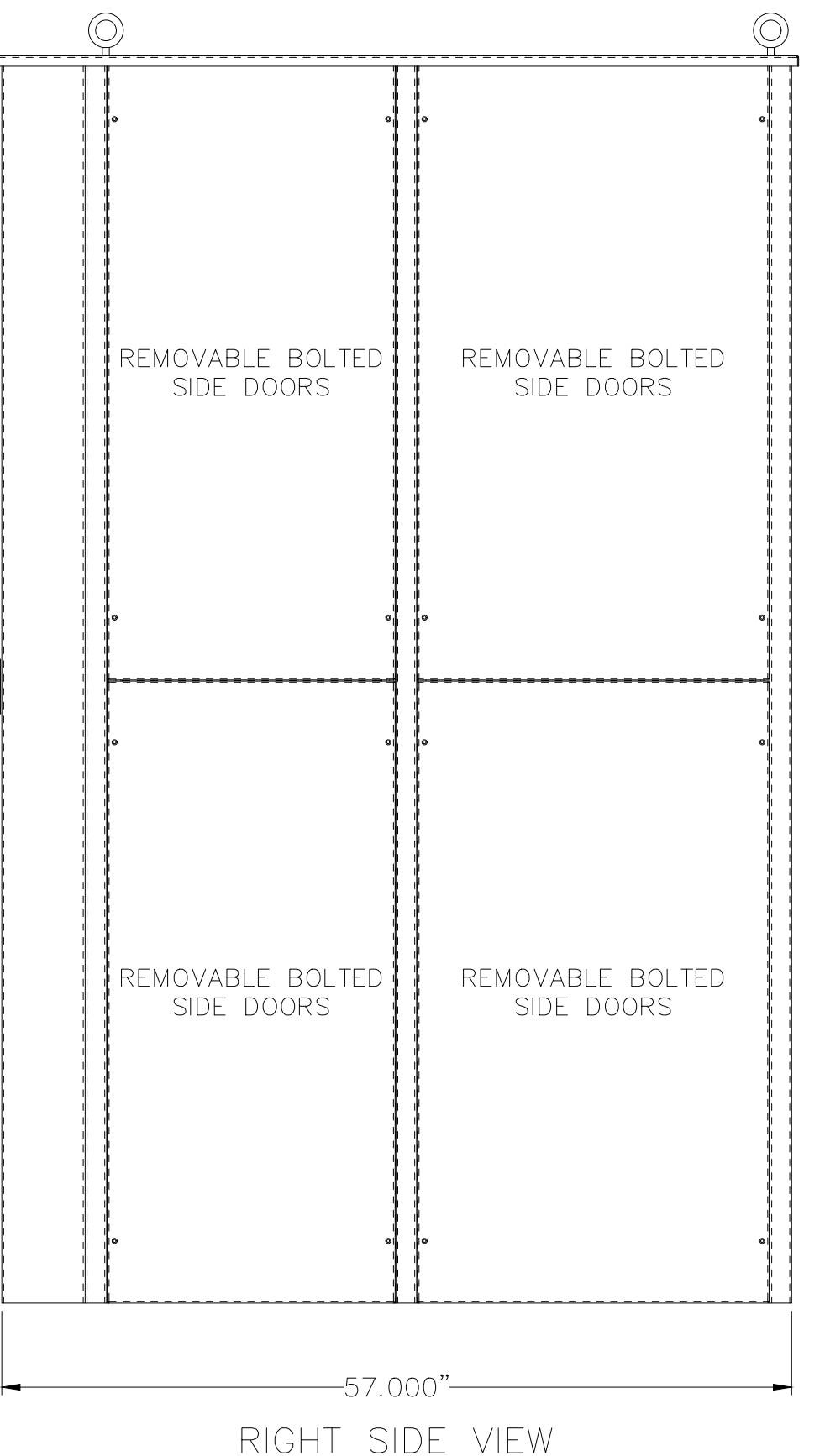
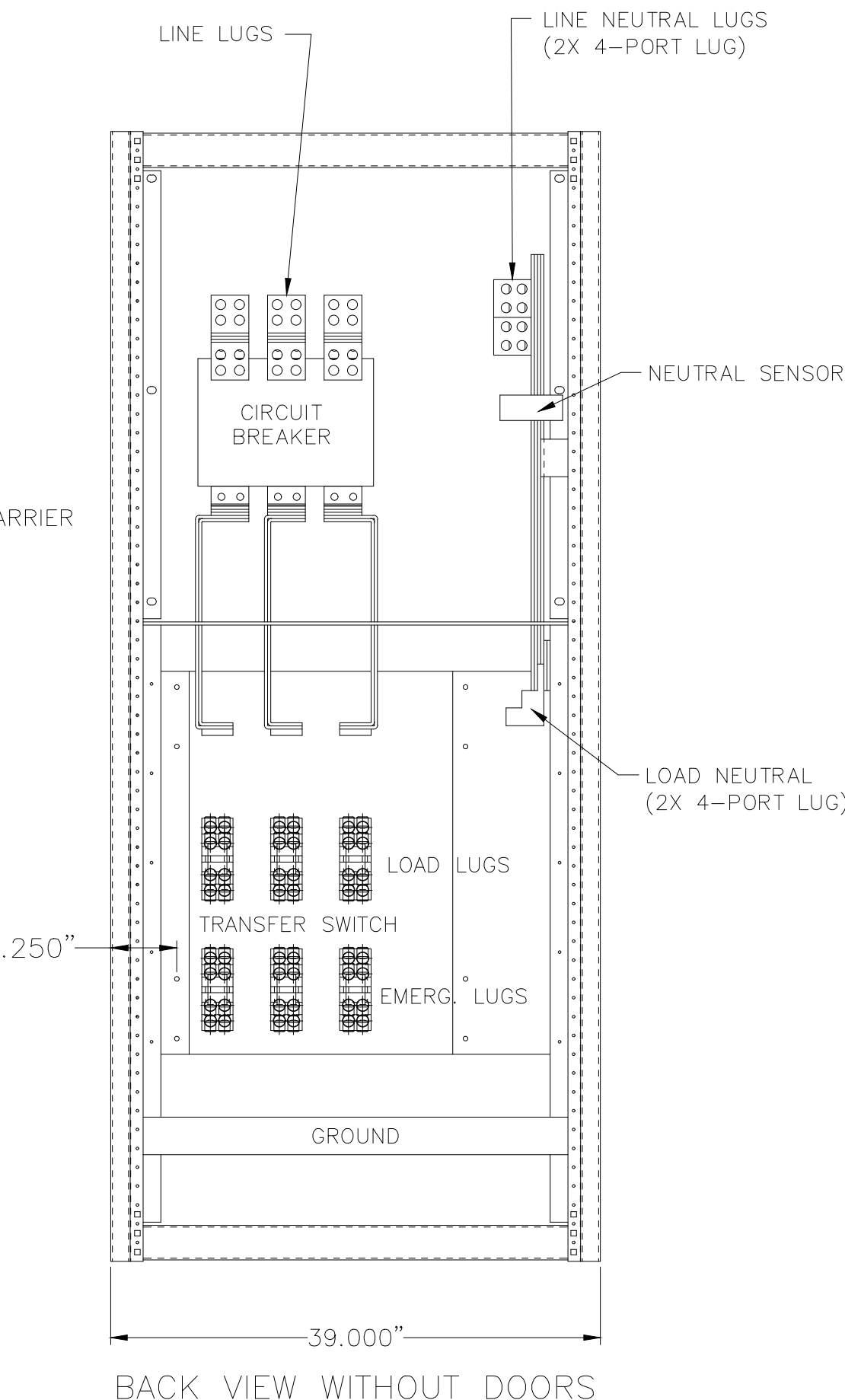
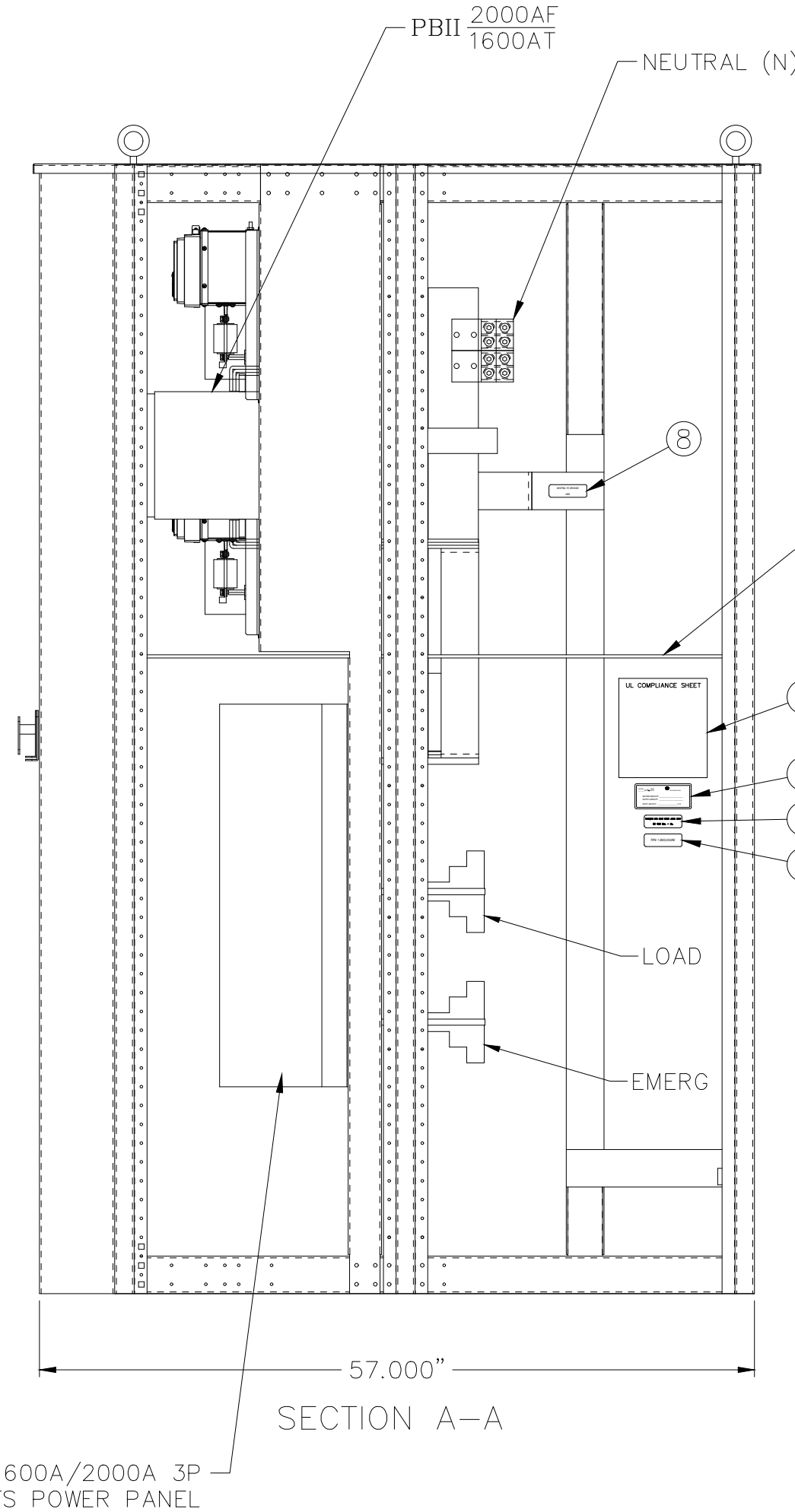
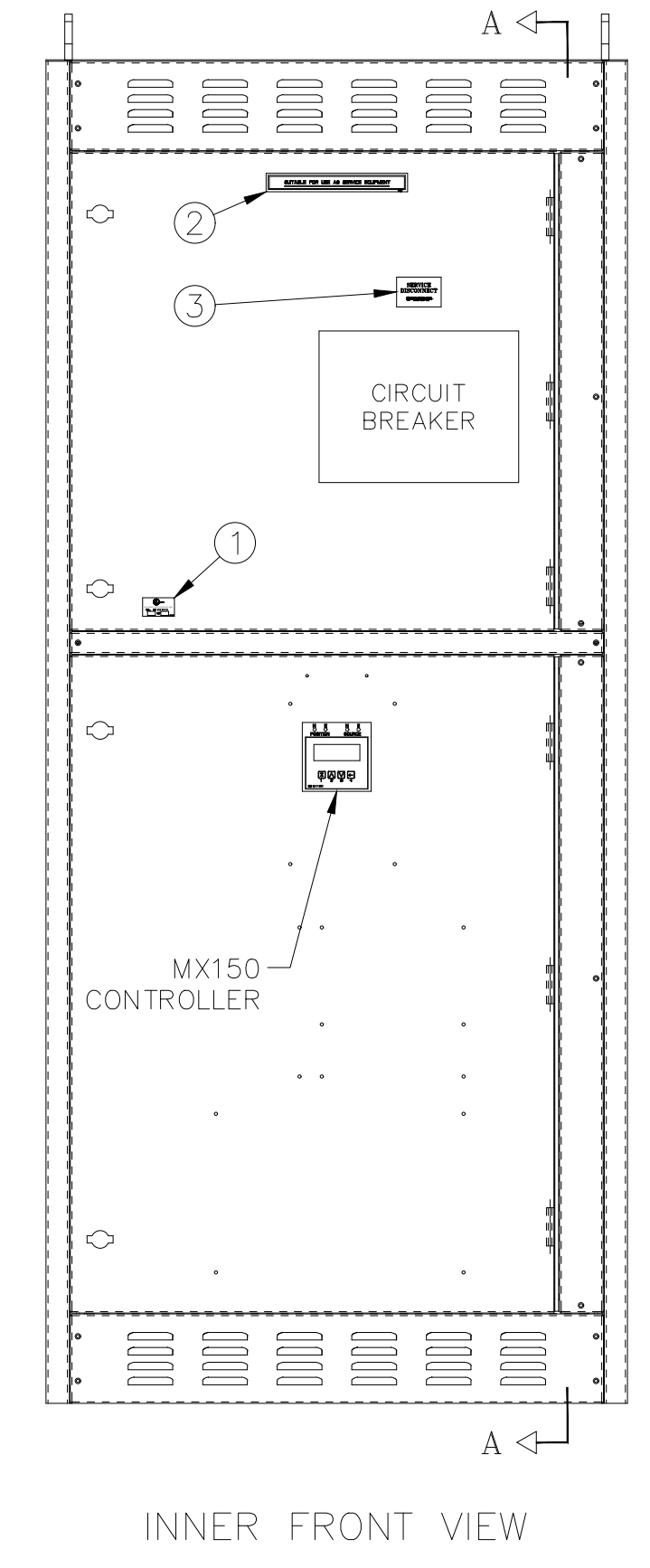
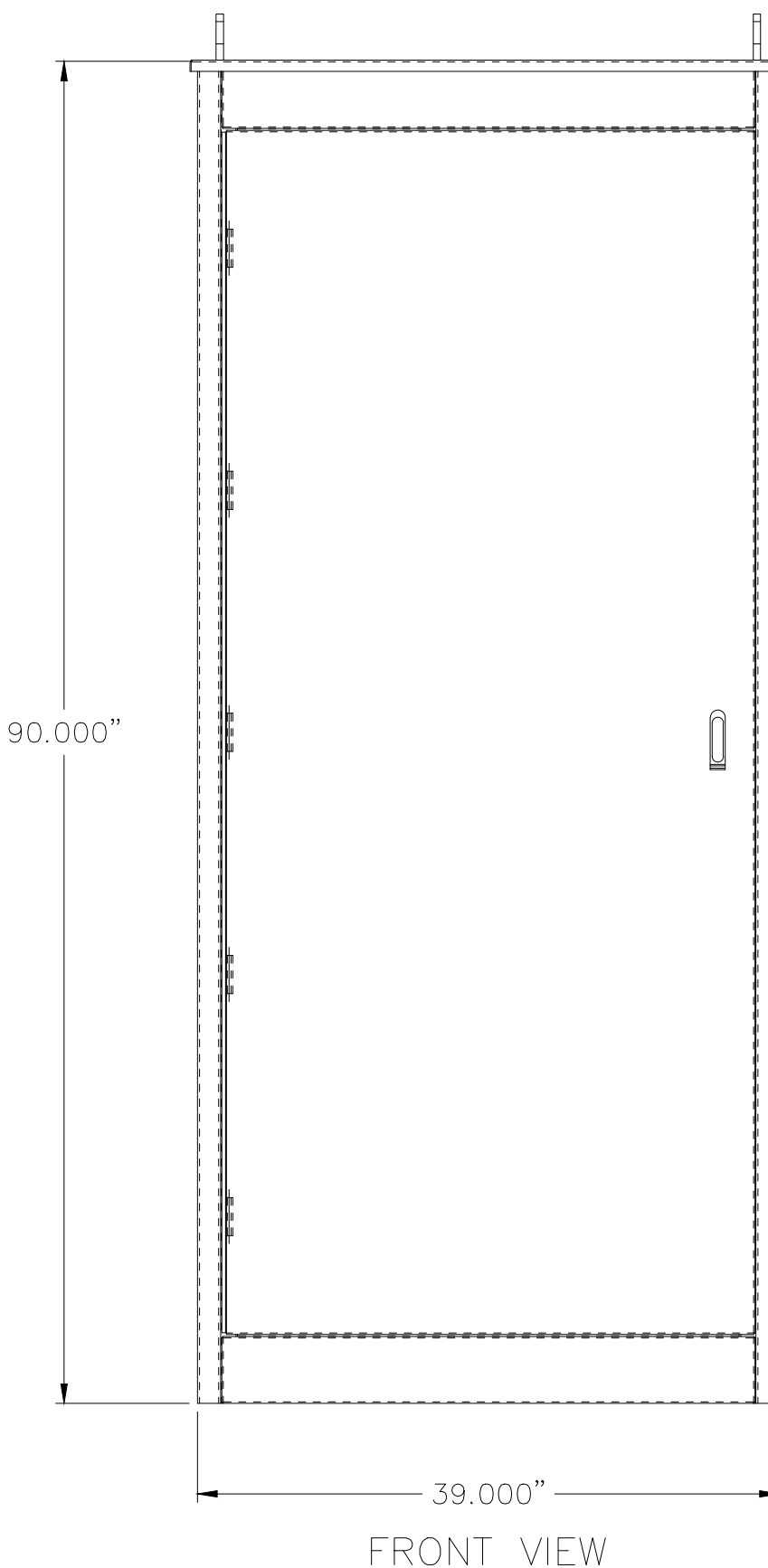


REVISIONS			
REV.	DESCRIPTION	DATE	APPROVED
1	C075076 UPDATED REBRANDING	09/09/19	AR MAS



SYMBOL LEGEND
 O & u = MECH. LUGS (SEE TABLE FOR DETAILS)
 NCT = NEUTRAL CURRENT SENSOR
 RBS = REMOVABLE GROUND STRAP
 DL = NEUTRAL DISCONNECT LINK
 N = NORMAL
 E = EMERGENCY
 L = LOAD

NOTES		
SYSTEM RATING: 100KA		
ENCLOSURE:	NEMA 3R TYPE	LABELS
INSTALLATION:	FLOOR MOUNTED	1. UL891 (ON INNER SIDE OF DOOR)
FINISH:	ANSI 61 GRAY	2. SUITABLE FOR AS SERVICE ENTRANCE
ACCESS:	REAR & SIDES	3. SERVICE DISCONNECT
COMPONENTS RATING AND SPECIFICATIONS (ATS):		4. UL COMPLIANCE SHEET
SERVICE ENTRANCE:	1600-2000A, 3 POLE UNIT, FULLY RATED	5. SECTION AMPACITY
SHORT CIRCUIT WITHSTAND AND CLOSING RATING (UL):	100KAIC @ 480V	6. 500-1000 MCM TORQUE
CIRCUIT BREAKER:		7. TYPE 1 ENCLOSURE
GE PBI-ICCB, MICRO-VERSA TRIP PLUS, LSIG TRIP UNIT		8. NEUTRAL TO GROUND LINK
MOUNT TYPE:	STATIONARY	9. HIGH VOLTAGE DANGER
SIZE:	2000AF/2000AT-1600AT	
SHORT CIRCUIT INTERRUPT RATING	65KAIC @ 600V/100KAIC @ 480V	
U.L. LABEL	891	
SUITABLE TO USE AS SERVICE ENTRANCE EQUIPMENT		
BUS:		
MATERIAL:	COPPER 1000A/in (2-1/4" X 4" PHASE/NEUTRAL)	
	(1-1/4" X 2" GROUND BUS)	
CABLE:		
52-N	(8)-600Kcmil PER PHASE & NEUTRAL	
LOAD	(8)-600Kcmil PER PHASE & NEUTRAL	
EMERGENCY	(8)-600Kcmil PER PHASE & NEUTRAL	
GROUND	SPACE FOR UP TO (24)-1/0-250Kcmil LUG	



FOR ADDITIONAL INFO REFER TO	SIGNATURES	DATE	TITLE
APPLIED PRACTICES UNLESS OTHERWISE SPECIFIED DIMENSIONS ARE IN INCHES	MODEL MRR	3/19/10	
TOLERANCES ON:	CHECKED		
2 PL. DECIMALS ± .020	ENGRG YP	3/19/10	FIRST MADE FOR: ZTGSE20(3P-N3R)
3 PL. DECIMALS ± .005	MFG		SIZE CAGE CODE DWG NO
ANGLES ± 1°	QUALITY		D 50C-4226
FRACTIONS ± 1/64	ISSUED		SCALE: NONE SHEET 1 of 1
FINISH ✓	ISSUED		
AutoCad Generated	DRAWING FILE: 50c-4226.dwg		
	MODEL / ASSEMBLY FILE:		
	# CTGS	CRITICAL TO QUALITY CHARACTERISTIC	

ABB PROPRIETARY AND CONFIDENTIAL INFORMATION
 The information contained in the document has to be kept strictly confidential. Any unauthorized use, reproduction, distribution or disclosure to third parties is strictly forbidden. ABB reserves all rights regarding intellectual Property Rights. Copyright 2018 ABB. All rights reserved.

