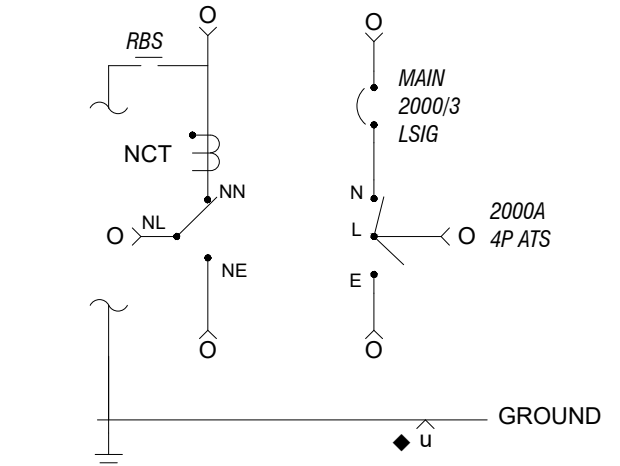
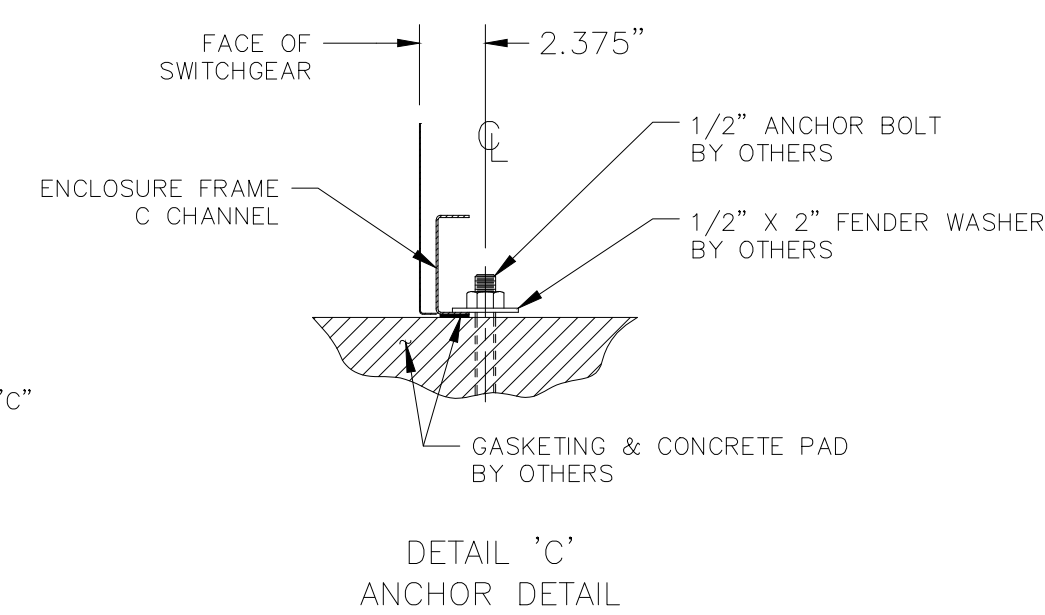
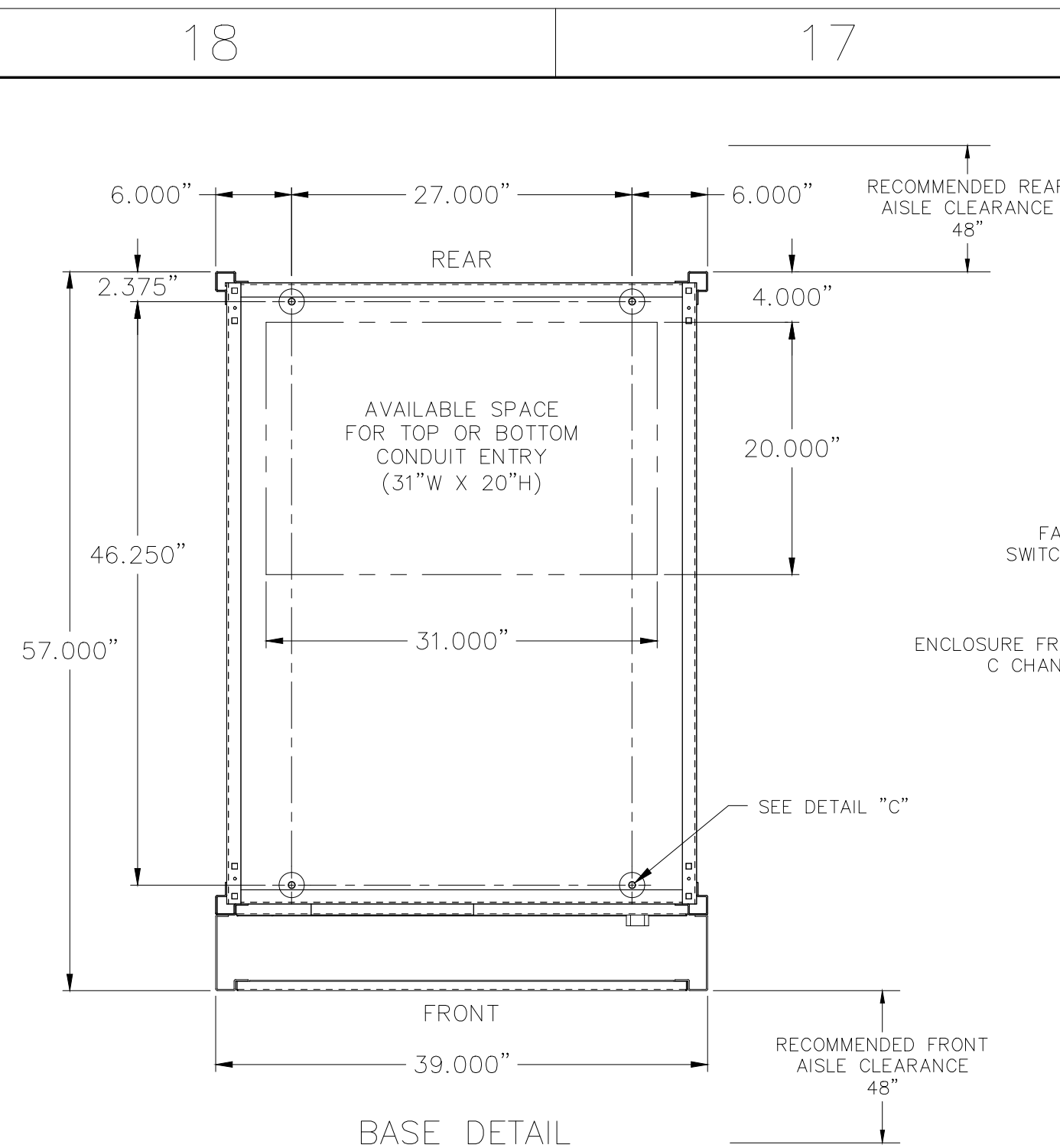


REVISIONS			
REV.	DESCRIPTION	DATE	APPROVED
1	C075076 UPDATED REBRANDING	09/09/19	AR MAS



SYMBOL LEGEND
 O & u = MECH. LUGS (SEE TABLE FOR DETAILS)
 NCT = NEUTRAL CURRENT SENSOR
 RBS = REMOVABLE GROUND STRAP
 DL = NEUTRAL DISCONNECT LINK
 N = NORMAL
 E = EMERGENCY
 L = LOAD

ONE LINE DIAGRAM (1600A / 2000A)

NOTES		
SYSTEM RATING: 100KA		
ENCLOSURE:	NEMA 3R TYPE	LABELS
INSTALLATION:	FLOOR MOUNTED	1. UL891 (ON INNER SIDE OF DOOR)
FINISH:	ANSI 61 GRAY	2. SUITABLE FOR AS SERVICE ENTRANCE
ACCESS:	REAR & SIDES	3. SERVICE DISCONNECT
COMPONENTS RATING AND SPECIFICATIONS (ATS):		4. UL COMPLIANCE SHEET
SERVICE ENTRANCE:	1600-2000A, 4 POLE UNIT, FULLY RATED	5. SECTION AMPACITY
SHORT CIRCUIT WITHSTAND AND CLOSING RATING (UL)	100KAIC @ 480V	6. 500-1000 MCM TORQUE
CIRCUIT BREAKER:		7. TYPE 1 ENCLOSURE
GE PBII-ICCB, MICRO-VERSA TRIP PLUS, LSIG TRIP UNIT		8. NEUTRAL TO GROUND LINK
MOUNT TYPE:		9. HIGH VOLTAGE DANGER
STATIONARY		
SIZE:		
2000AF/2000AT-1600AT		
SHORT CIRCUIT INTERRUPT RATING		
65KAIC @ 600V/100KAIC @ 480V		
U.L. LABEL		
891		
SUITABLE TO USE AS SERVICE ENTRANCE EQUIPMENT		
BUS:		
COPPER 1000A/in (2-1/4" X 4" PHASE/NEUTRAL)		
(1-1/4" X 2" GROUND BUS)		
FINISH:		
SILVER PLATED		
CABLE:		
52-N	(8)-600Kcmil PER PHASE & NEUTRAL	
LOAD	(8)-600Kcmil PER PHASE & NEUTRAL	
EMERGENCY	(8)-600Kcmil PER PHASE & NEUTRAL	
GROUND	SPACE FOR UP TO (24)-1/0-250Kcmil LUG	

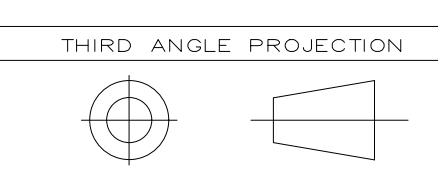
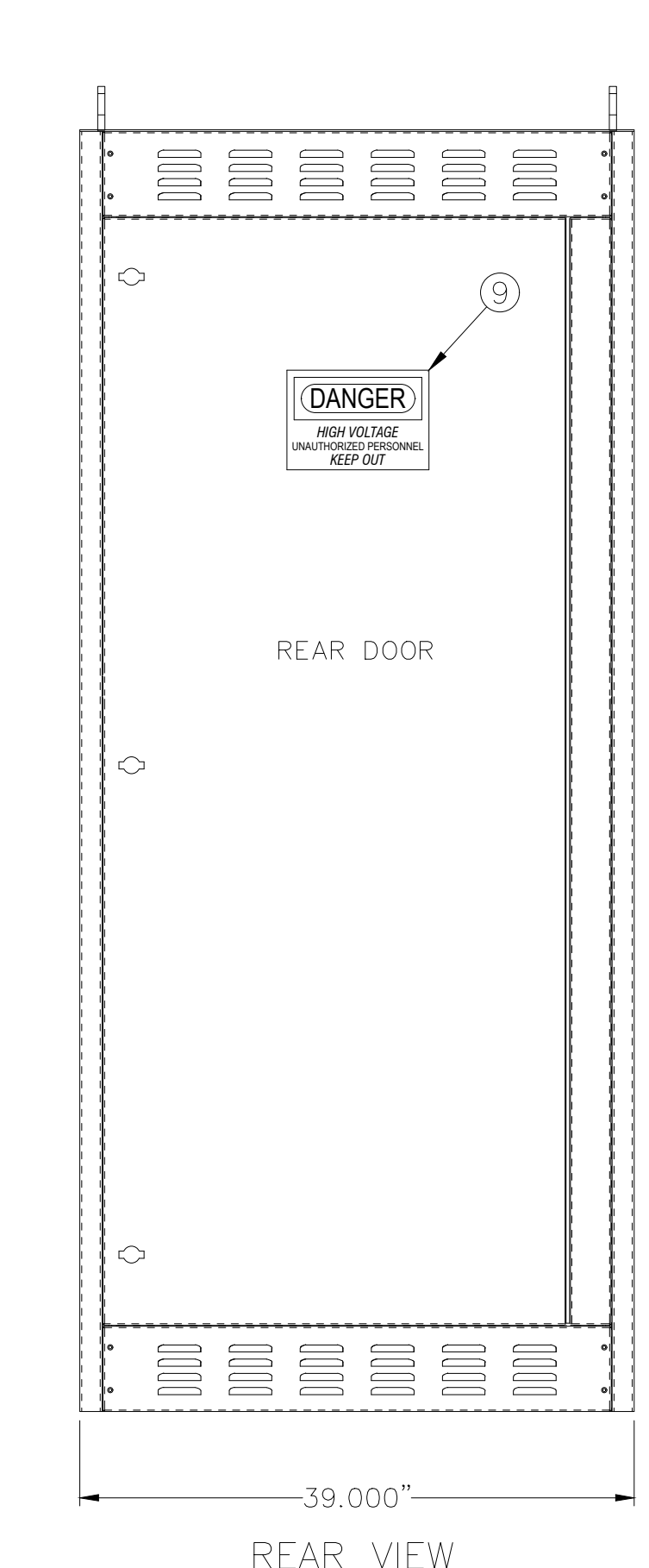
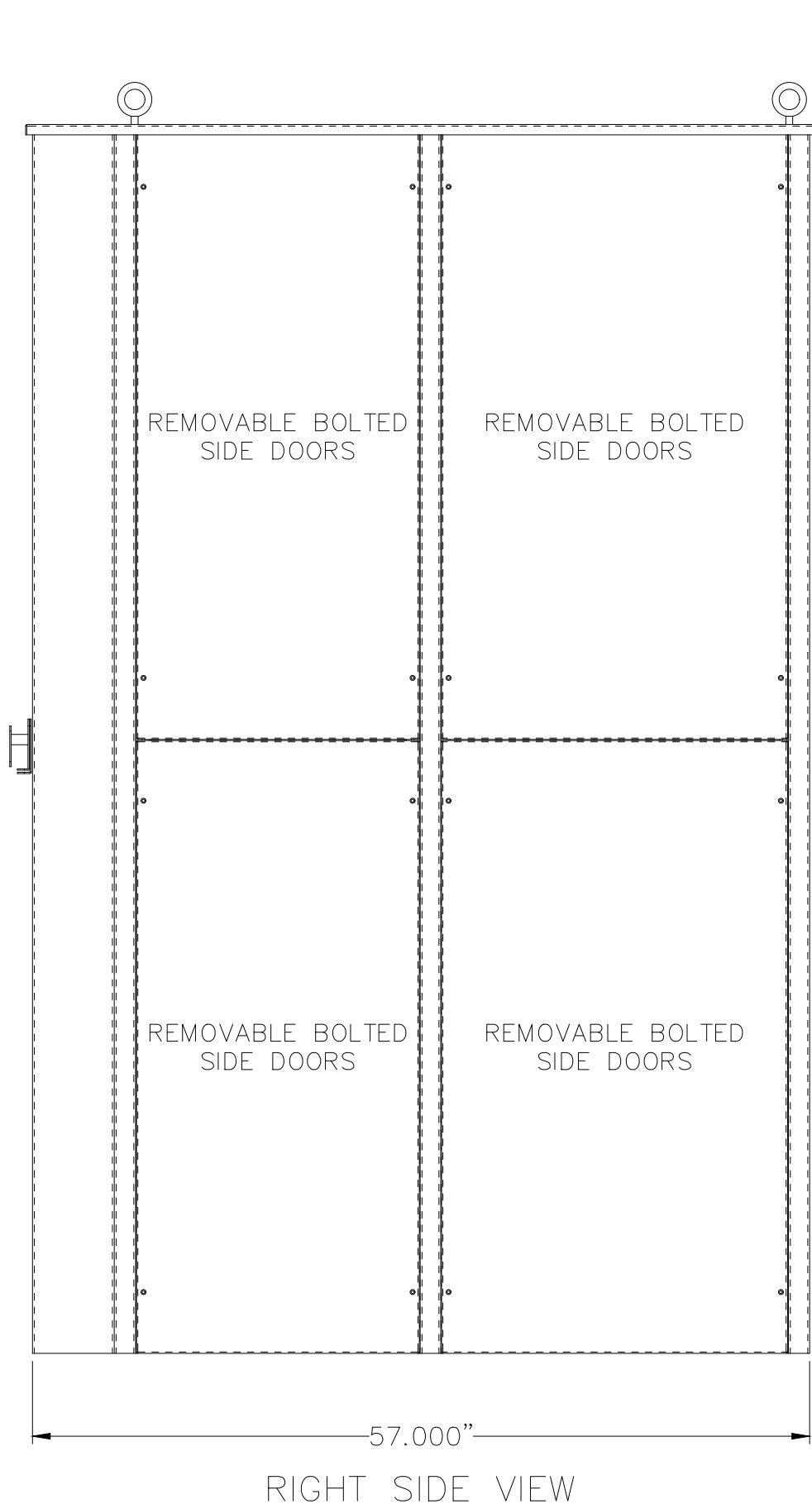
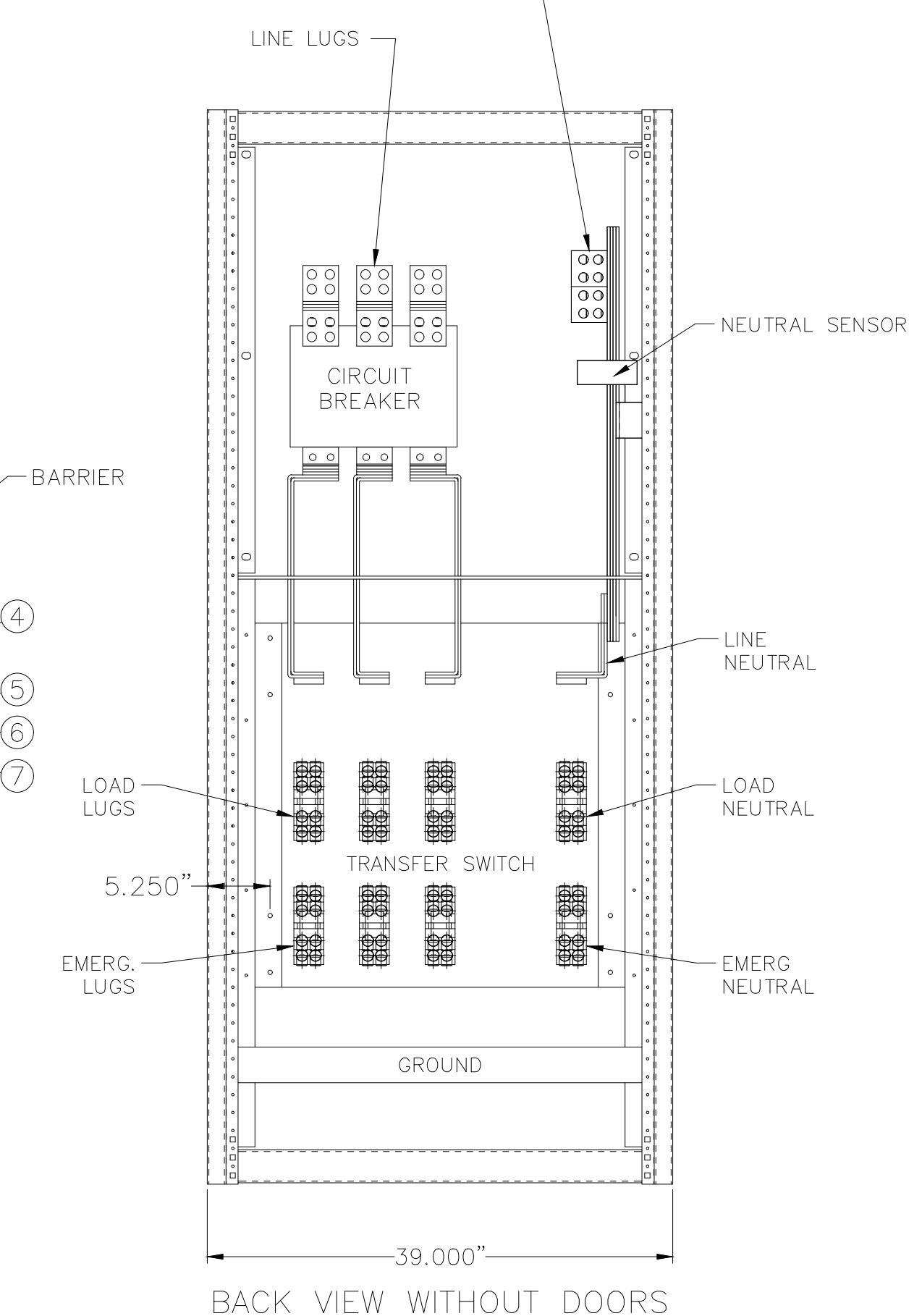
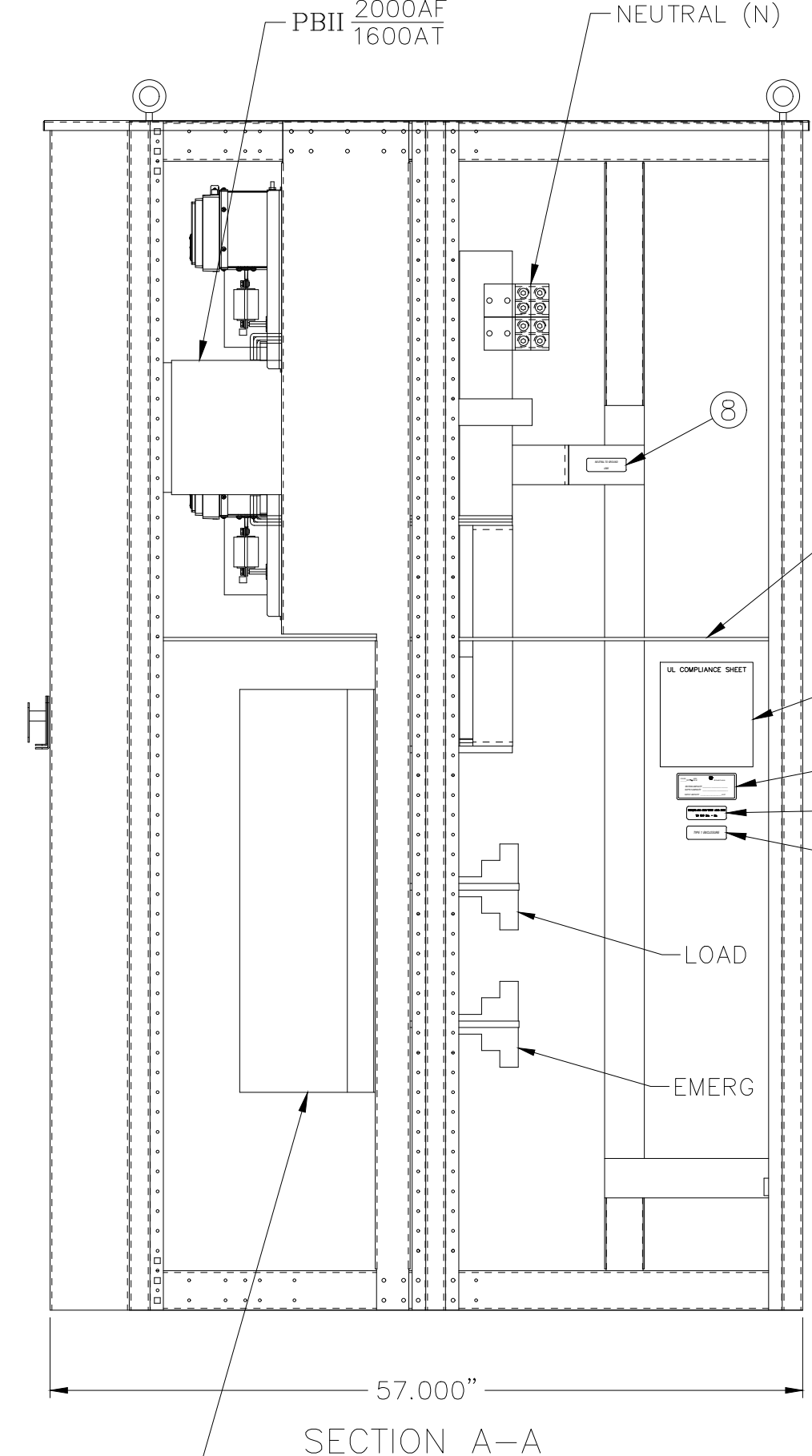
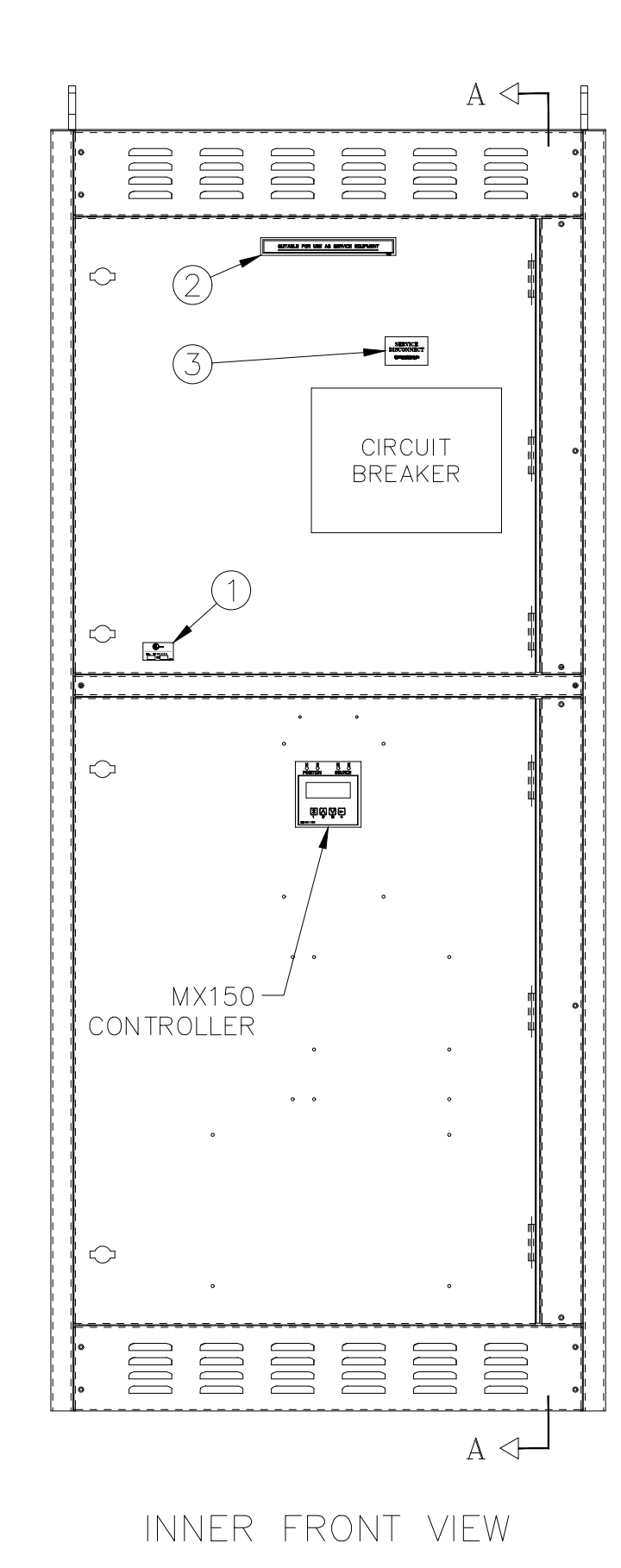
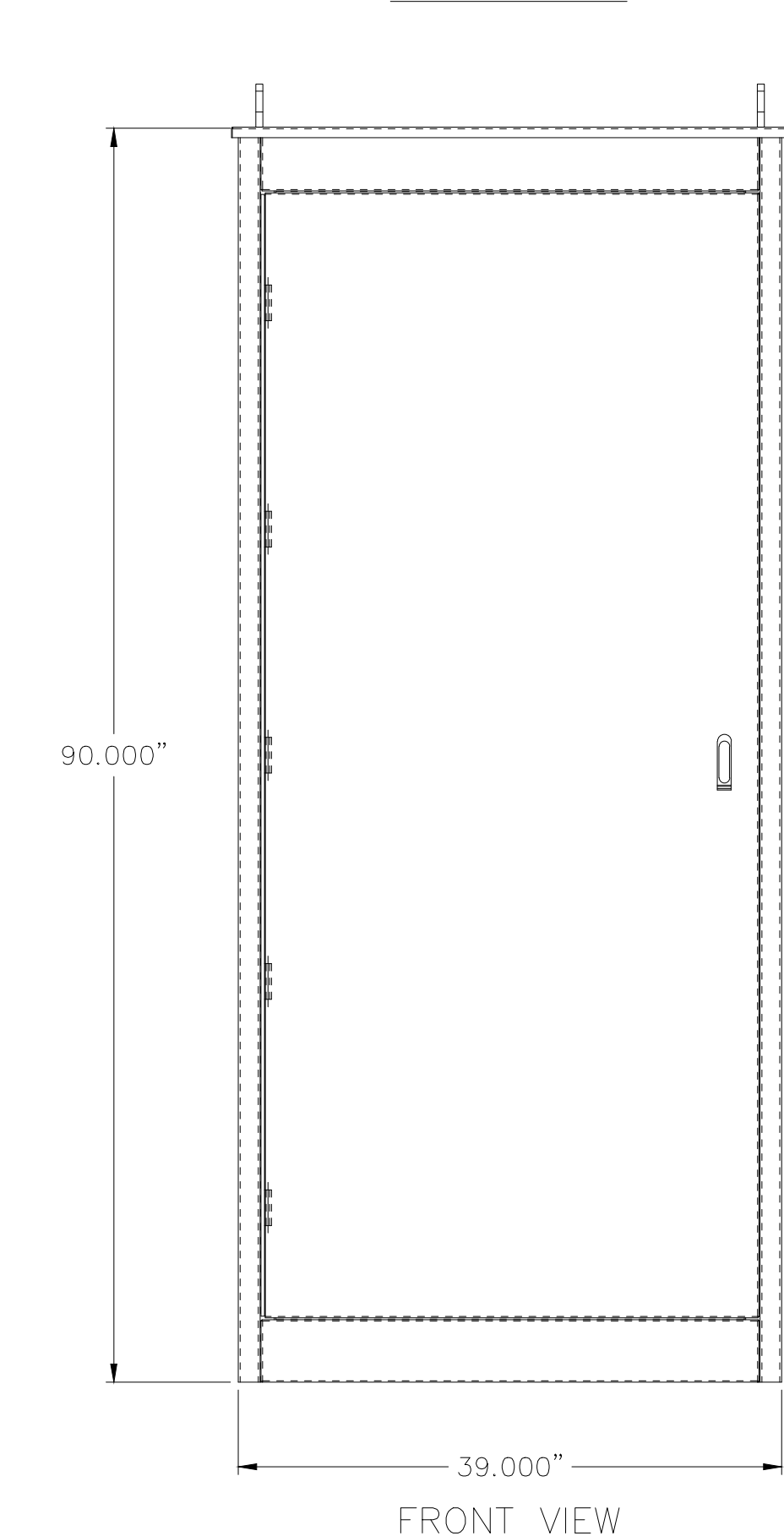


ABB PROPRIETARY AND CONFIDENTIAL INFORMATION
 The information contained in this document has to be kept strictly confidential.
 Any unauthorized use, reproduction, distribution or disclosure to third parties is strictly forbidden.
 ABB reserves all rights regarding Intellectual Property Rights.
 Copyright 2018 ABB. All rights reserved.

FOR ADDITIONAL INFO REFER TO APPLIED PRACTICES UNLESS OTHERWISE SPECIFIED DIMENSIONS ARE IN INCHES.	SIGNATURES	DATE
TOLERANCES ON: 2 PL. DECIMALS ± .020 3 PL. DECIMALS ± .005 ANGLES ± 1° FRACTIONS ± 1/64 FINISH ✓	MODEL MRR CHECKED ENGRG YP MFG QUALITY ISSUED DRAWING FILE: 50c-4227.dwg MODEL / ASSEMBLY FILE: # CTGS	3/19/10 3/19/10

TITLE		
1600A/2000A SERVICE ENTRANCE (4P-N3R) OUTLINE DRAWING		
FIRST MADE FOR: ZTGSE20(4P-N3R)	SIZE D	DWG NO 50C-4227
SCALE: NONE	SHEET 1 of 1	



AutoCad Generated

CRITICAL TO QUALITY CHARACTERISTIC