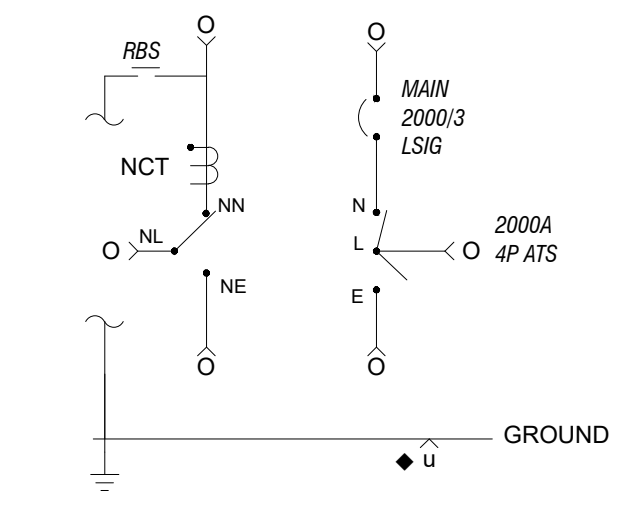
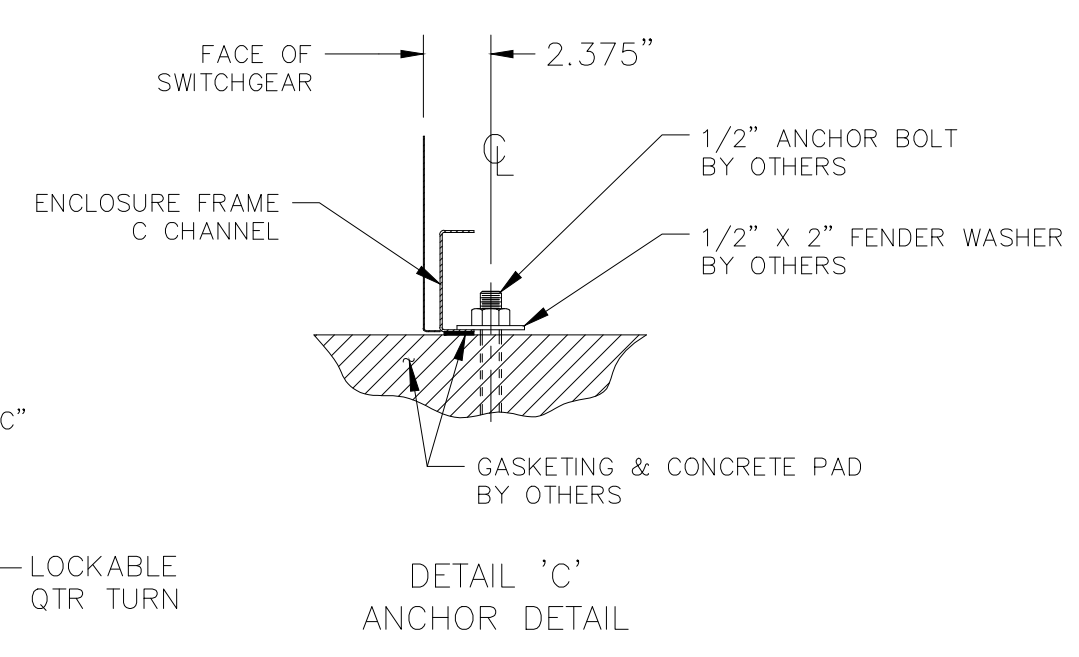
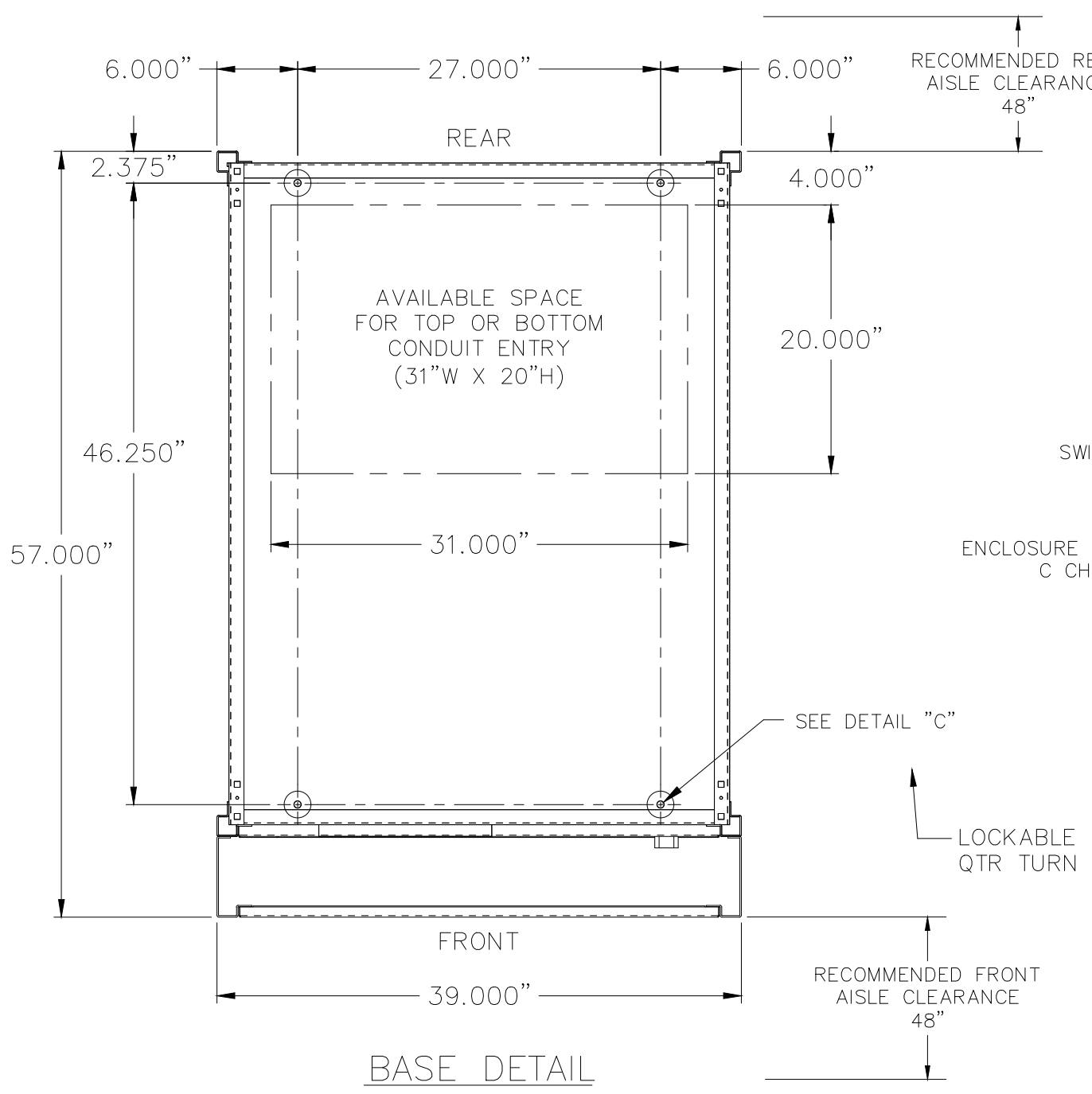
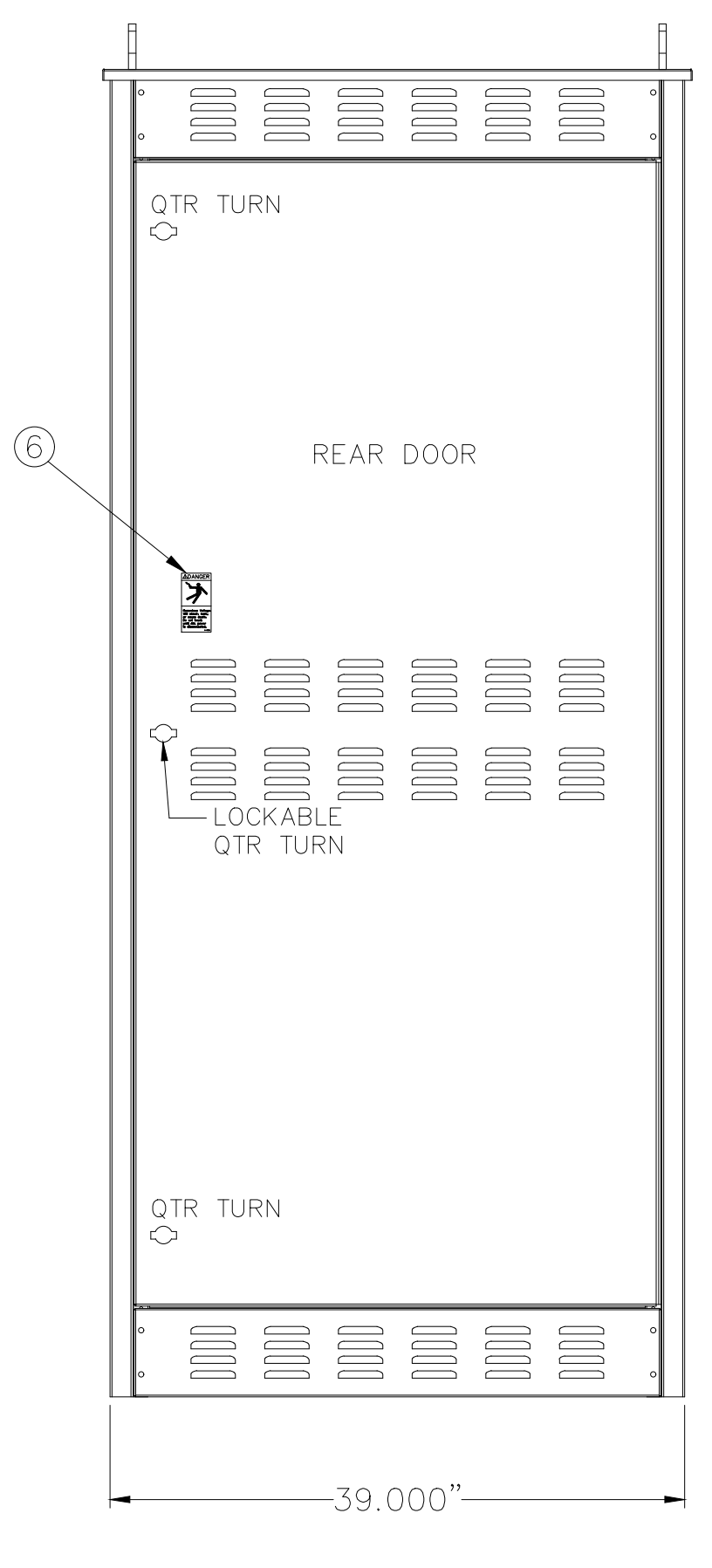
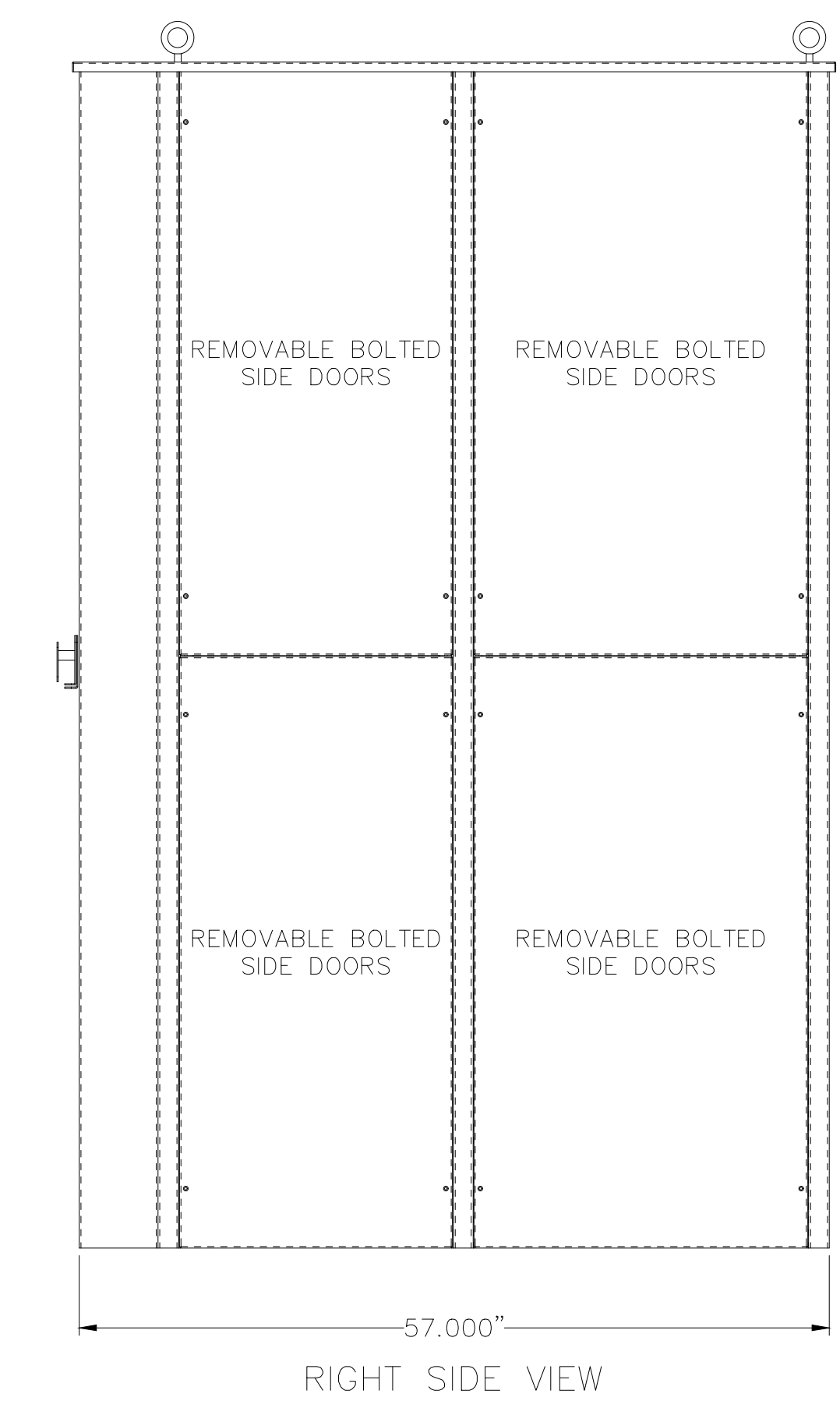
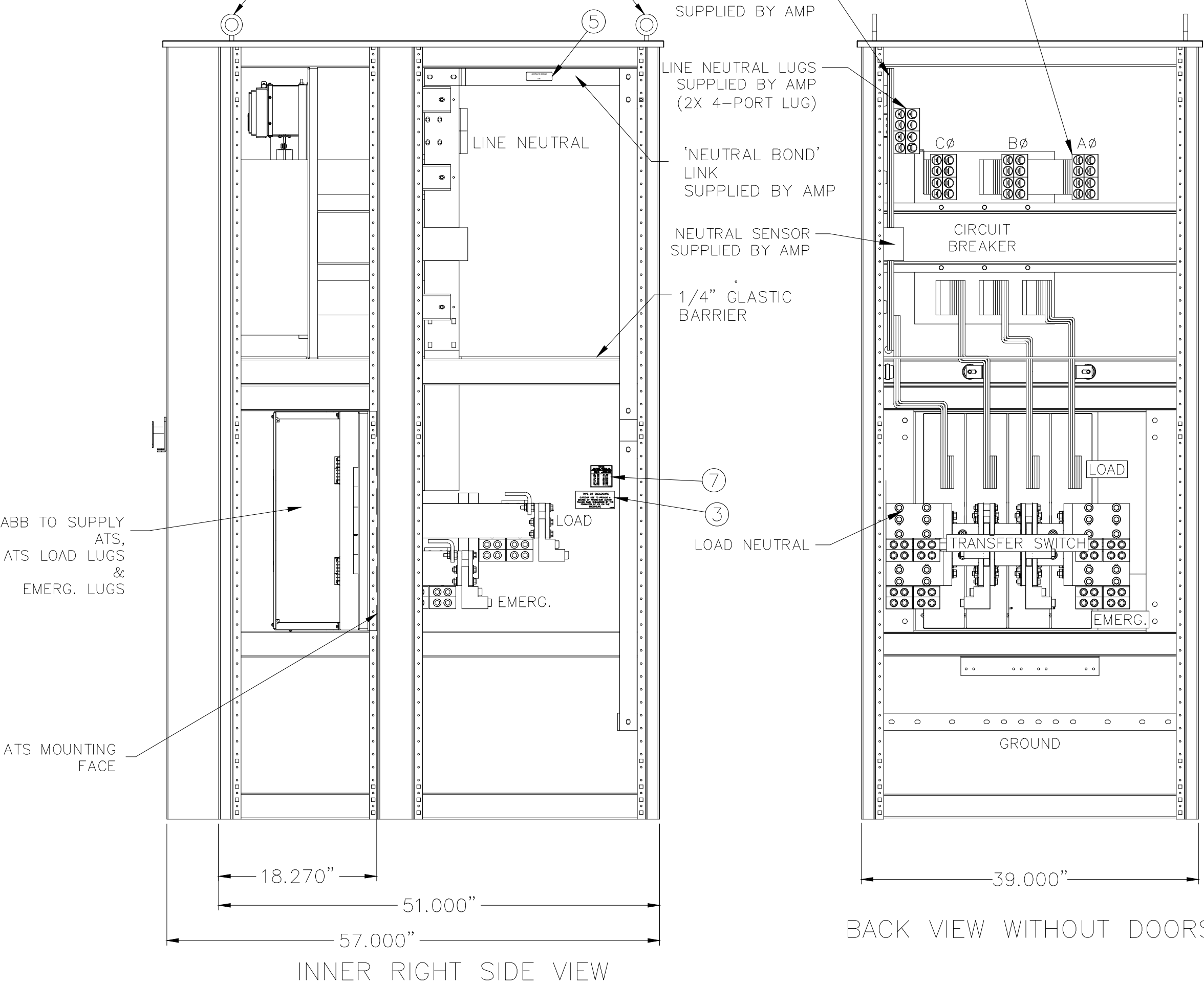
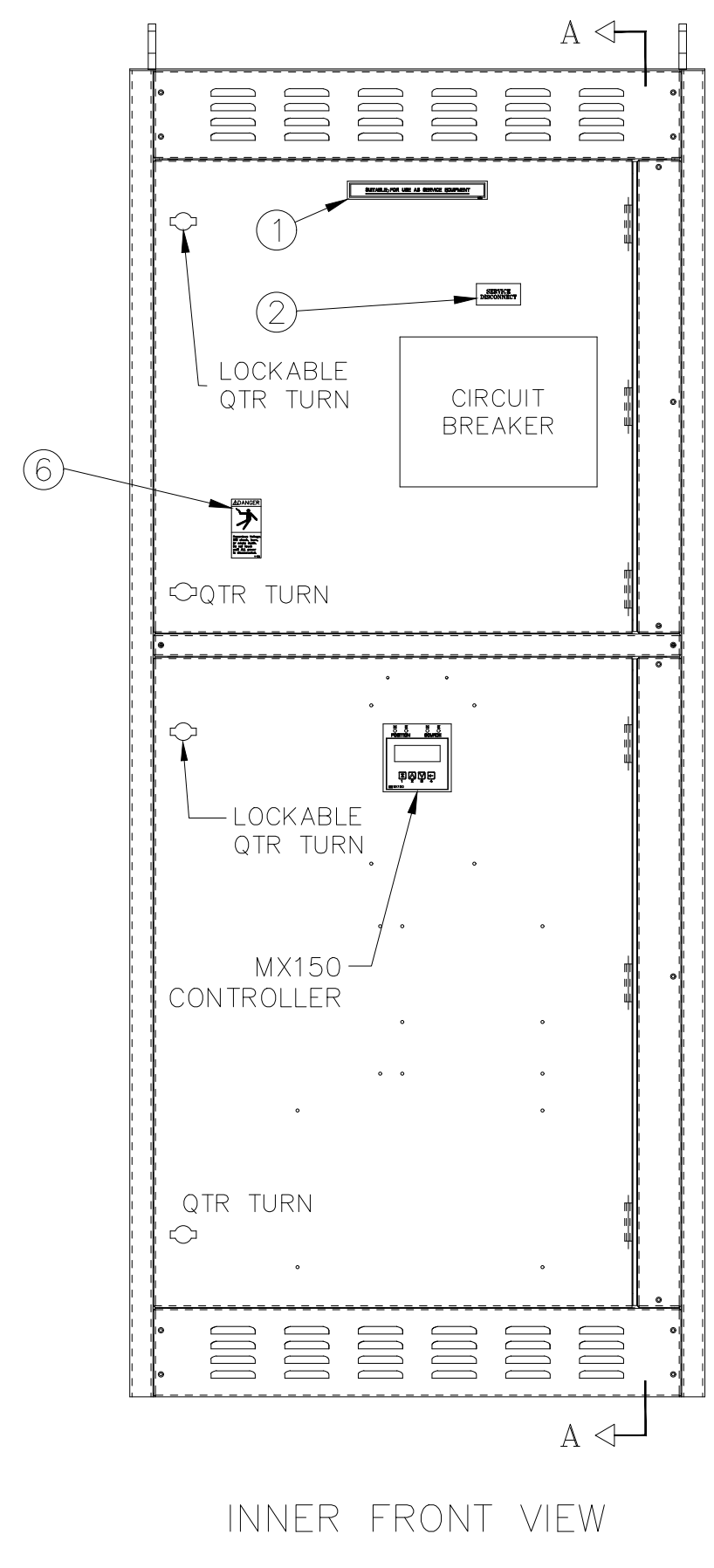
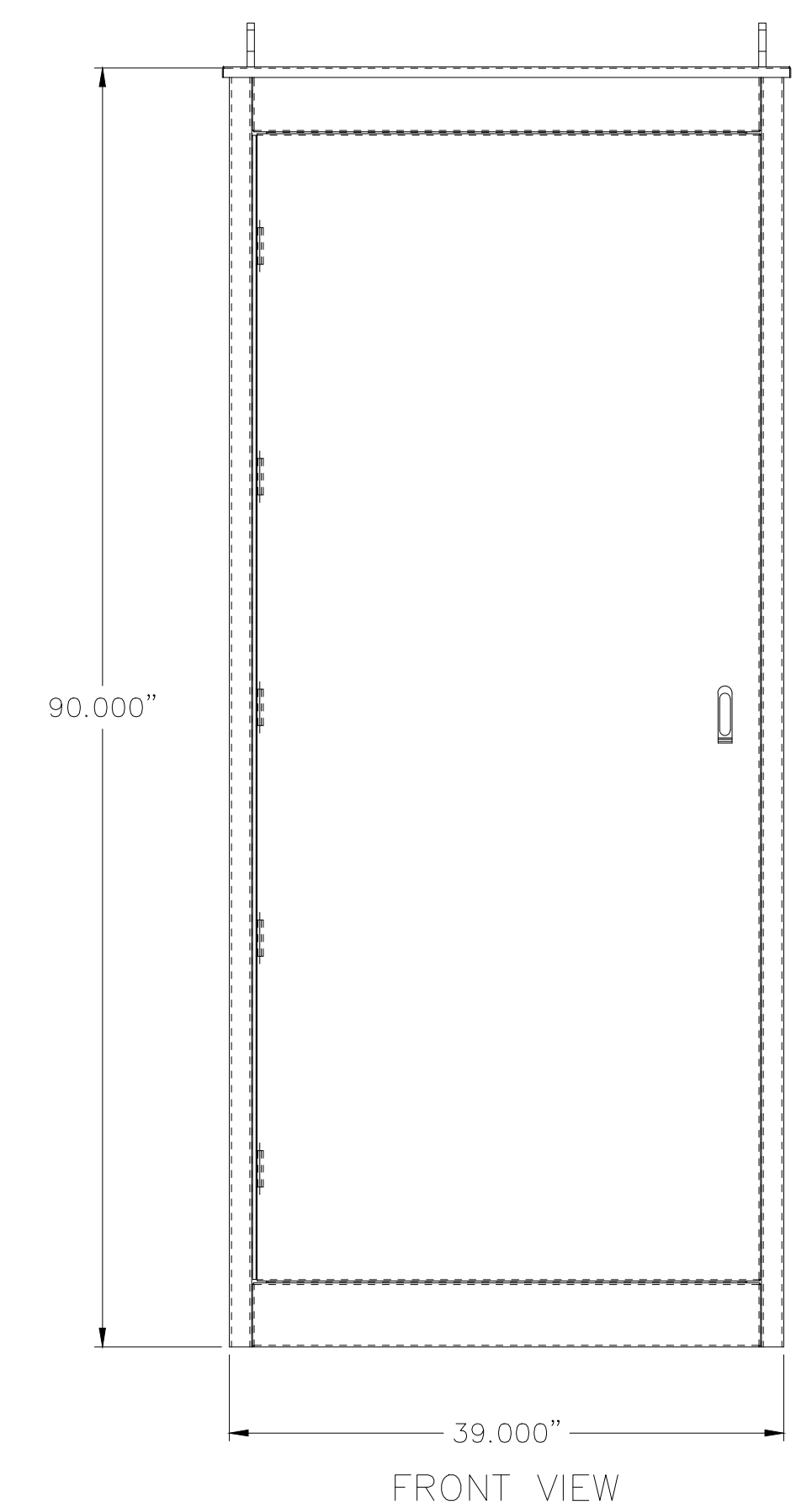


REVISIONS			
REV.	DESCRIPTION	DATE	APPROVED
1	C084849 ESTABLISH DRAWING	1/7/10	YP MAS

NOTES		
SYSTEM RATING: 100KA		
ENCLOSURE:	NEMA 3R TYPE	<b>LABELS</b>
INSTALLATION:	FLOOR MOUNTED	1. SUITABLE FOR AS SERVICE ENTRANCE
FINISH:	ANSI 61 GRAY	2. SERVICE DISCONNECT
ACCESS:	REAR & SIDES	3. TYPE 1 ENCLOSURE
<b>COMPONENTS RATING AND SPECIFICATIONS (ATS):</b>		
SERVICE ENTRANCE:	1600-2000A, 4 POLE UNIT, FULLY RATED	4. UL891 (ON INNER SIDE OF DOOR)
SHORT CIRCUIT WITHSTAND AND CLOSING RATING (UL)	100kAIC @ 480V	5. NEUTRAL TO GROUND LINK
<b>CIRCUIT BREAKER:</b>		
GE PBI-ICCB, EntelliGuard TU Trip unit, LSIG TRIP UNIT		
MOUNT TYPE:	STATIONARY	
SIZE:	2000AF/2000AT-1600AT	
SHORT CIRCUIT INTERRUPT RATING	65kAIC @ 600V/100kAIC @ 480V	
U.L. LABEL	891	
"SUITABLE TO USE AS SERVICE ENTRANCE EQUIPMENT"		
<b>BUS:</b>		
MATERIAL:	COPPER 1000A/in (2-1/4" X 4" PHASE/NEUTRAL)	
	(1-1/4" X 2" GROUND BUS)	
FINISH:	SILVER PLATED	
<b>CABLE:</b>		
52-N	(8)-600Kcmil PER PHASE & NEUTRAL	
LOAD	(8)-600Kcmil PER PHASE & NEUTRAL	
EMERGENCY	(8)-600Kcmil PER PHASE & NEUTRAL	
GROUND	SPACE FOR UP TO (24)-1/0-250Kcmil LUG	



**SYMBOL LEGEND**  
 O & u = MECH. LUGS (SEE TABLE FOR DETAILS)  
 NCT = NEUTRAL CURRENT SENSOR  
 RBS = REMOVABLE GROUND STRAP  
 DL = NEUTRAL DISCONNECT LINK  
 N = NORMAL  
 E = EMERGENCY  
 L = LOAD



FOR ADDITIONAL INFO REFER TO	SIGNATURES	DATE	TITLE
APPLIED PRACTICES UNLESS OTHERWISE SPECIFIED DIMENSIONS ARE IN INCHES	MODEL MRR	3/19/10	
TOLERANCES ON: 2 PL. DECIMALS ± .020 3 PL. DECIMALS ± .005 ANGLES ± 1° FRACTIONS ± 1/64 FINISH ✓	CHECKED ENGRG YP	3/19/10	
AutoCad Generated	DRAWING FILE: 50c-4227g.dwg MODEL / ASSEMBLY FILE:	ISSUED	FIRST MADE FOR: 2TGS20(4P-N3R) SIZE CAGE CODE DWG NO D 50C-4227G
# CTOS	CRITICAL TO QUALITY CHARACTERISTIC	SCALE: NONE	SHEET 1 of 1

**ABB PROPRIETARY AND CONFIDENTIAL INFORMATION**  
 The information contained in the document has to be kept strictly confidential.  
 Any unauthorized use, reproduction, distribution or disclosure to third parties is strictly forbidden.  
 ABB reserves all rights regarding intellectual Property Rights.  
 Copyright 2018 ABB. All rights reserved

