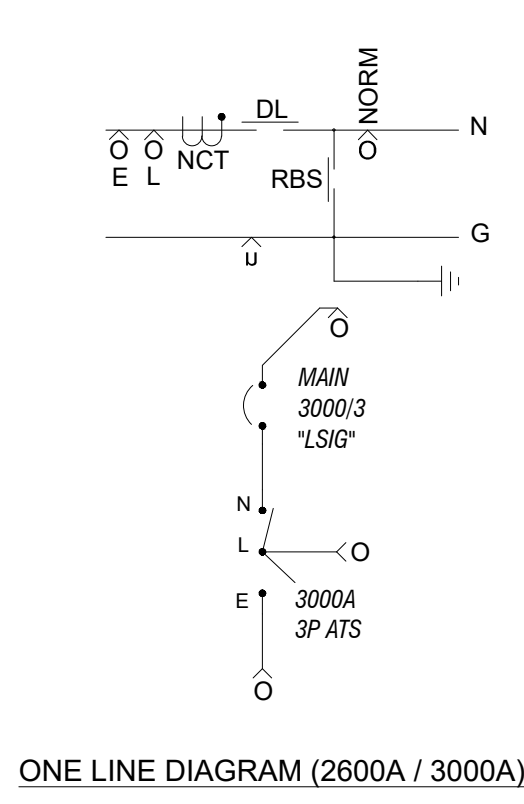
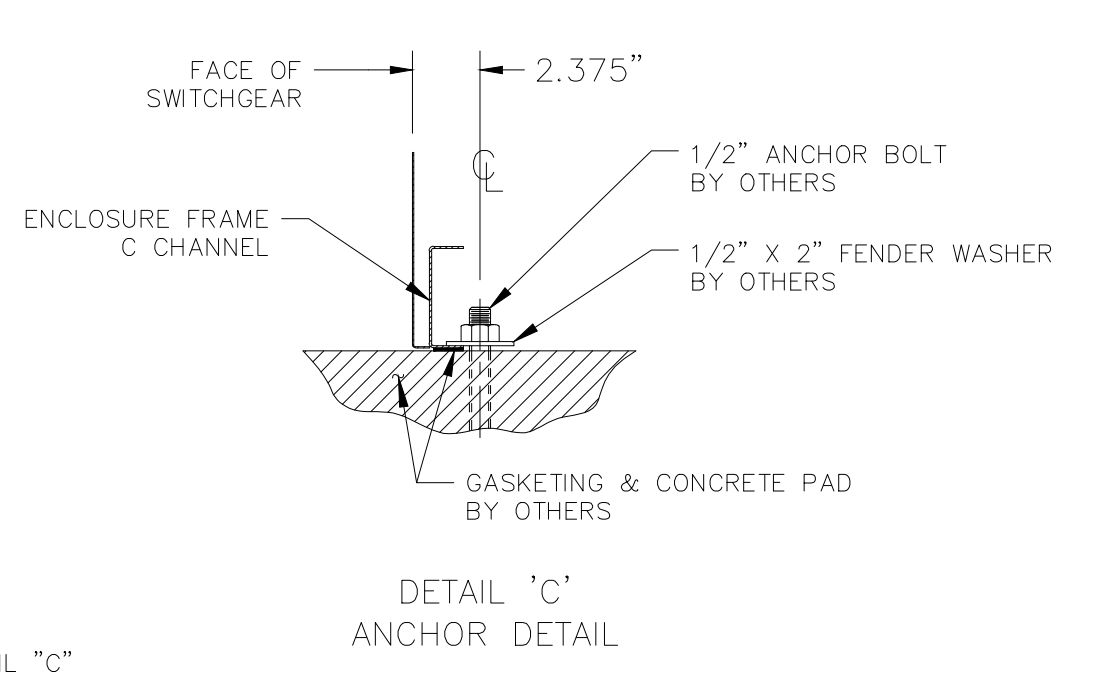
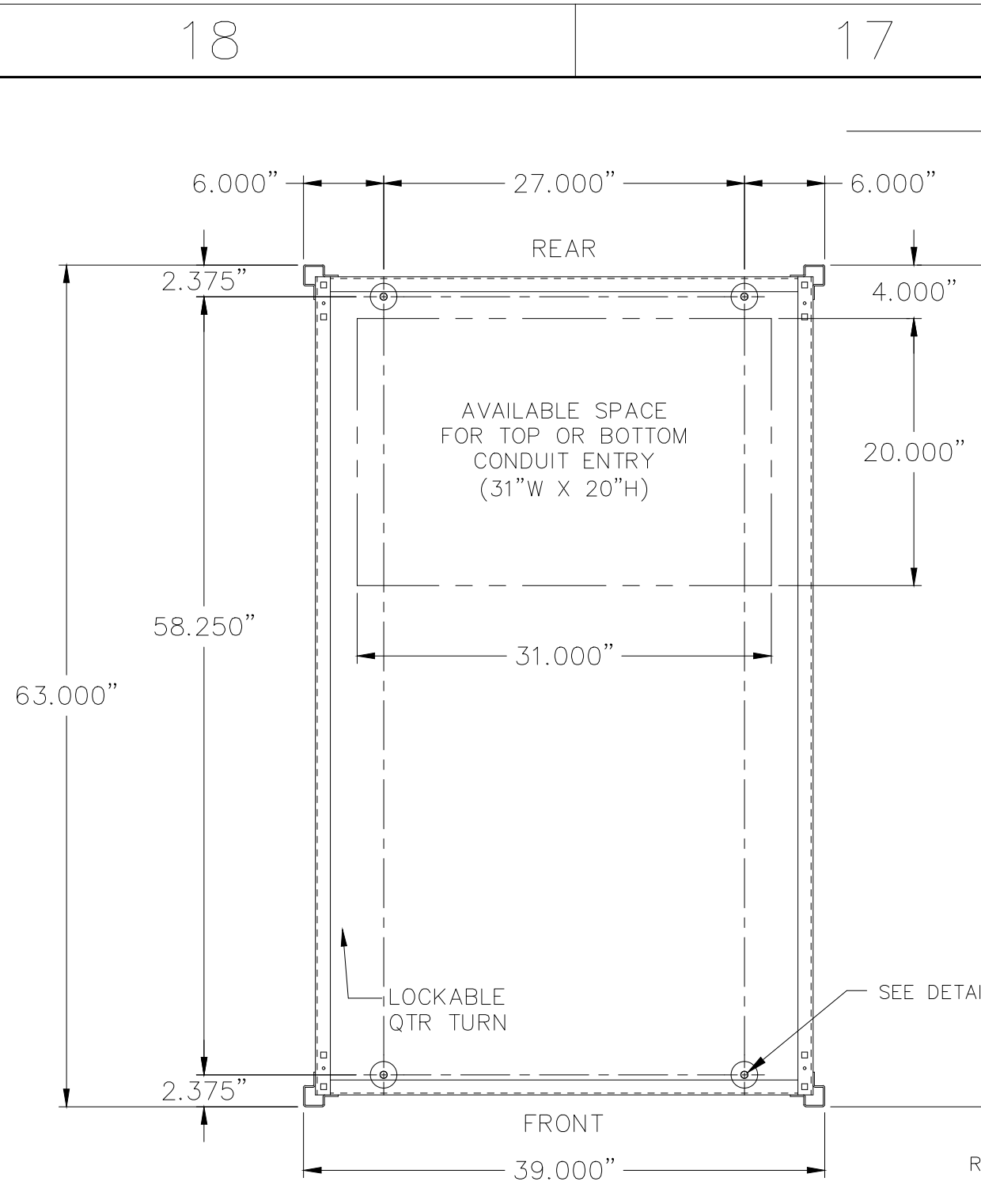
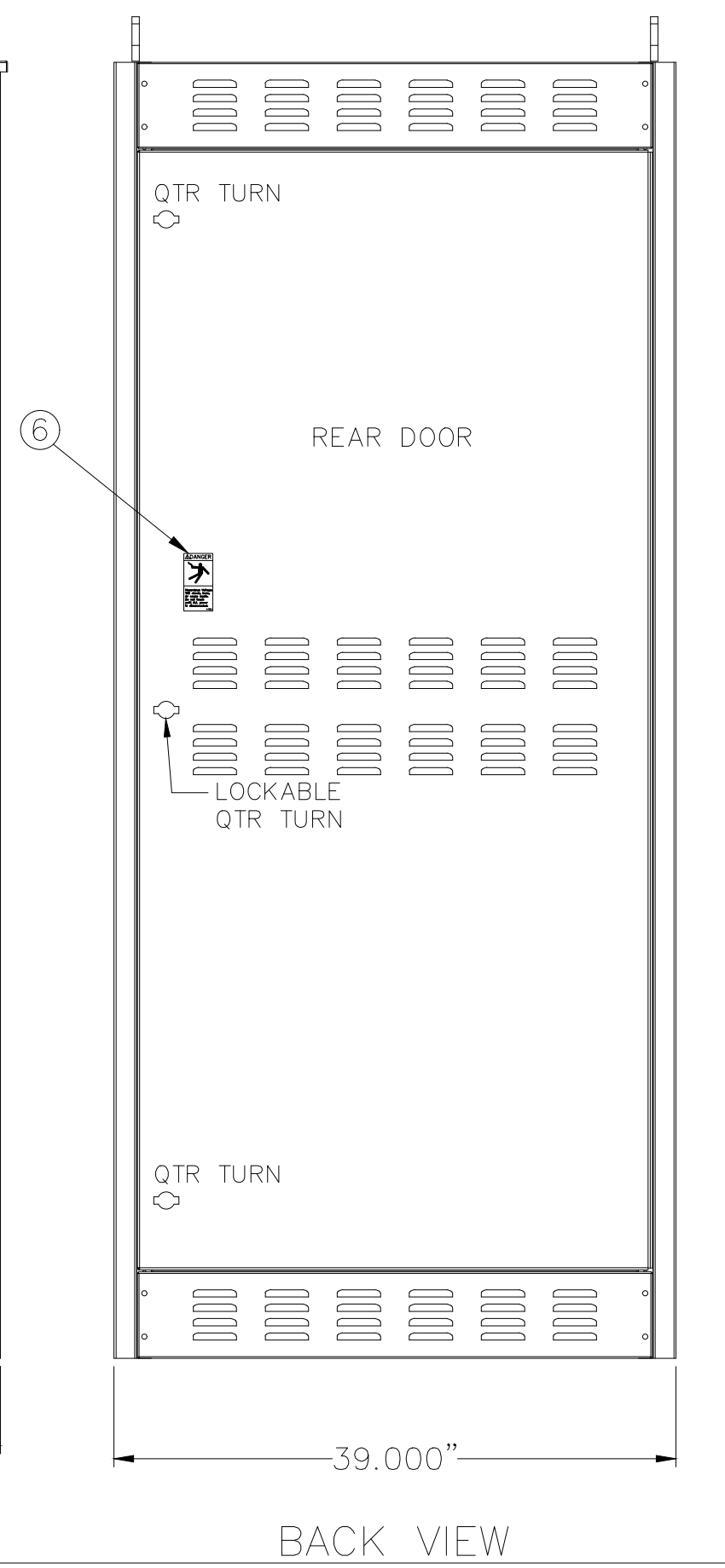
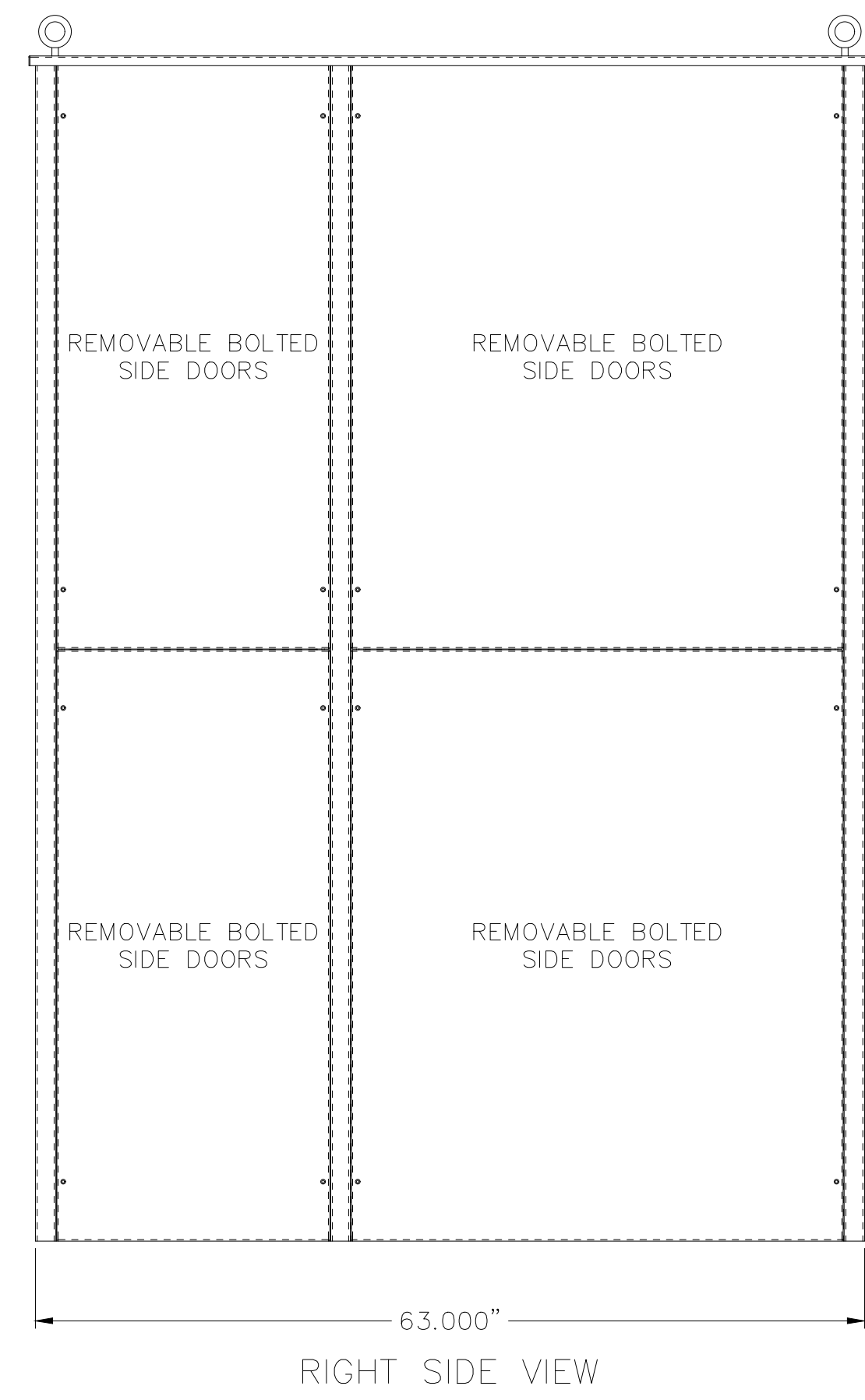
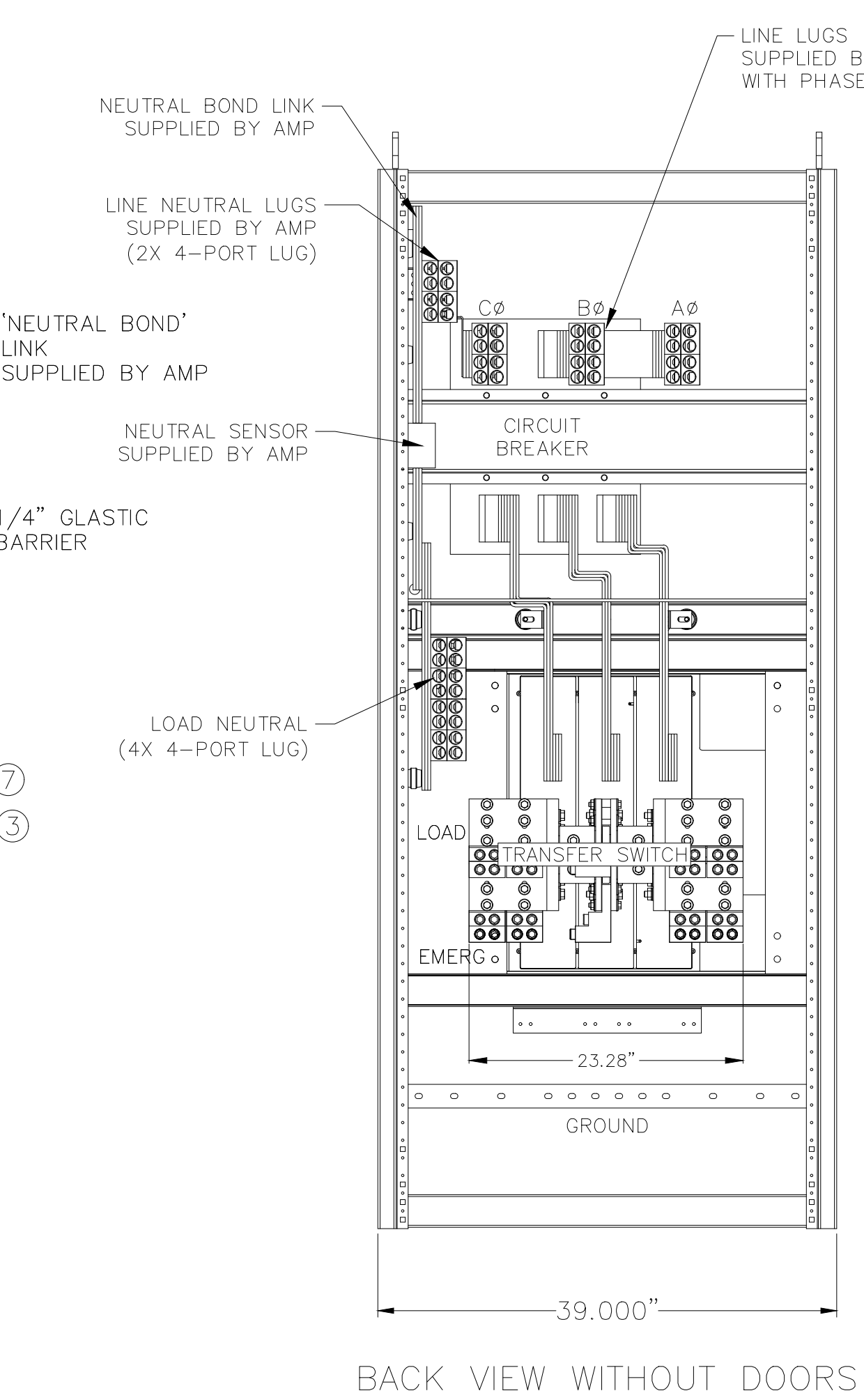
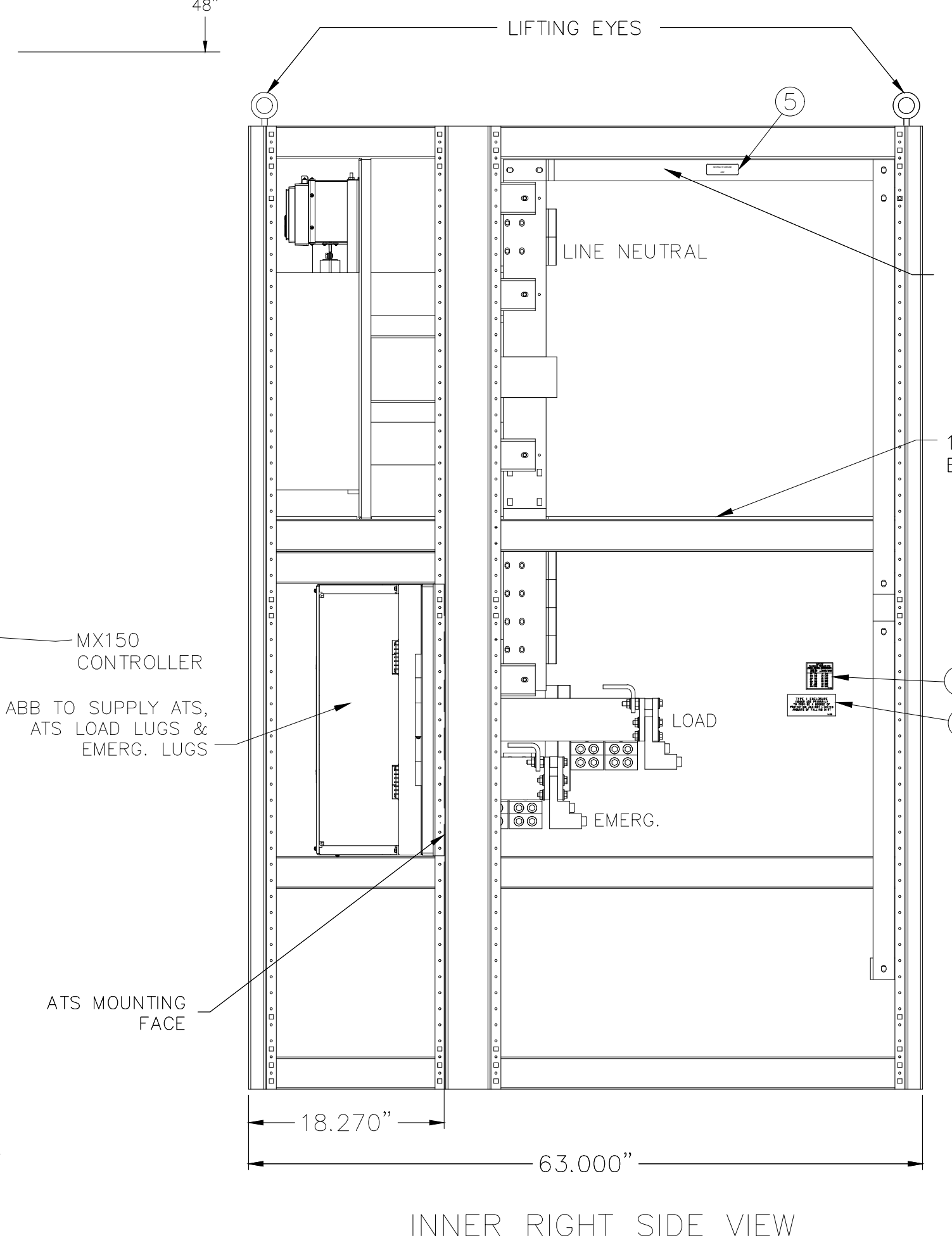
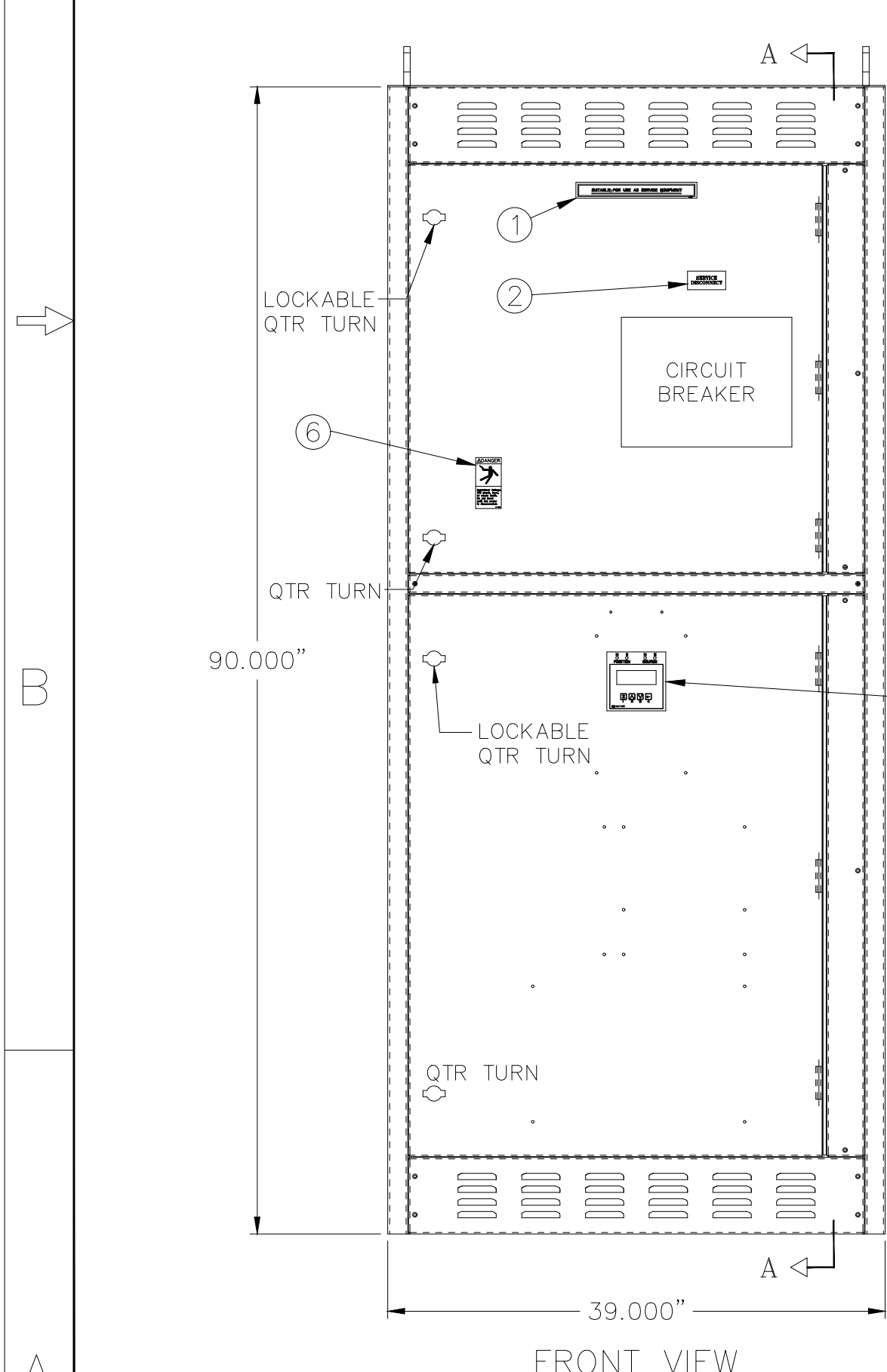


REVISIONS			
REV.	DESCRIPTION	DATE	APPROVED
1	C084849 ESTABLISH DRAWING	01/22/20	YP MAS

NOTES:		
SYSTEM RATING: 100KA		
ENCLOSURE:	NEMA 1 TYPE	<b>LABELS</b>
INSTALLATION:	FLOOR MOUNTED	1. SUITABLE FOR AS SERVICE ENTRANCE
FINISH:	ANSI 61 GRAY	2. SERVICE DISCONNECT
ACCESS:	REAR & SIDES	3. TYPE 1 ENCLOSURE
<b>COMPONENTS RATING AND SPECIFICATIONS (ATS):</b>		
SERVICE ENTRANCE:	2600-3000A, 3 POLE UNIT, FULLY RATED	4. UL891 (ON INNER SIDE OF DOOR)
SHORT CIRCUIT WITHSTAND AND CLOSING RATING (UL)	100kA @ 480V	5. NEUTRAL TO GROUND LINK
<b>CIRCUIT BREAKER:</b>		
GE PBH-ICCB, EntelliGuard TU Trip unit, LSIG TRIP UNIT		
MOUNT TYPE:	STATIONARY	
SIZE:	3000AF/3000AT-2500AT	
SHORT CIRCUIT INTERRUPT RATING	100kAIC @ 480V	
U.L. LABEL	891	
<b>BUS:</b>		
MATERIAL:	COPPER 1000A/in (3-1/4" X 4" PHASE/NEUTRAL)	
	(1-1/4" X 2" GROUND BUS)	
FINISH:	SILVER PLATED	
<b>CABLE:</b>		
52-N	(8)-600Kcmil PER PHASE & NEUTRAL	
LOAD	(8)-600Kcmil PER PHASE & NEUTRAL	
EMERGENCY	(8)-600Kcmil PER PHASE & NEUTRAL	
GROUND	SPACE FOR UP TO (24)-1/0-250Kcmil LUG	



**SYMBOL LEGEND**  
 O & u = MECH. LUGS (SEE TABLE FOR DETAILS)  
 NCT = NEUTRAL CURRENT SENSOR  
 RBS = REMOVABLE GROUND STRAP  
 DL = NEUTRAL DISCONNECT LINK  
 N = NORMAL  
 E = EMERGENCY  
 L = LOAD



FOR ADDITIONAL INFO REFER TO	SIGNATURES	DATE
APPLIED PRACTICES UNLESS OTHERWISE SPECIFIED DIMENSIONS ARE IN INCHES	MODEL MRR	3/19/10
TOLERANCES ON:	CHECKED	
2 PL. DECIMALS ± .020	ENGRG YP	3/19/10
3 PL. DECIMALS ± .005	MFG	
ANGLES ± 1°	QUALITY	
FRACTIONS ± 1/64	ISSUED	
FINISH ✓	DRAWING FILE: 50c-4228G.dwg	
AutoCad Generated	MODEL / ASSEMBLY FILE:	
# CTQS	CRITICAL TO QUALITY CHARACTERISTIC	

TITLE		
<b>ABB</b>		
2600A/3000A SERVICE ENTRANCE (3P-N1)		
OUTLINE DRAWING		
FIRST MADE FOR: 2TGS30(3P-N1)	SIZE: D	DWG NO: 50C-4228G
CAGE CODE		
SCALE: NONE	SHEET	1 of 1

**ABB PROPRIETARY AND CONFIDENTIAL INFORMATION**  
 The information contained in this document has to be kept strictly confidential. Any unauthorized use, reproduction, distribution or disclosure to third parties is strictly forbidden. ABB reserves all rights regarding intellectual property rights. Copyright 2018 ABB. All rights reserved.

