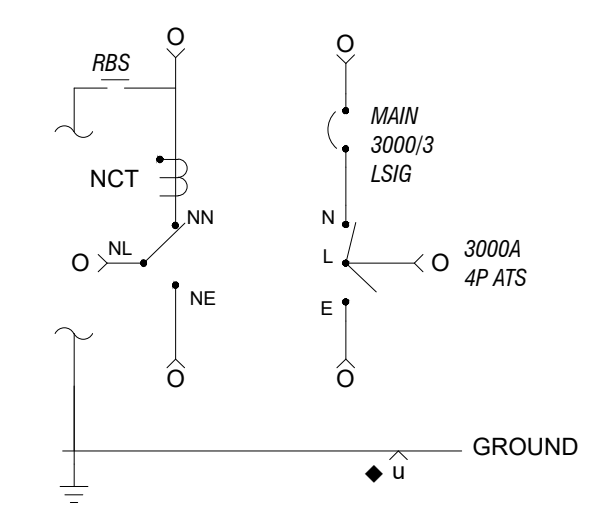
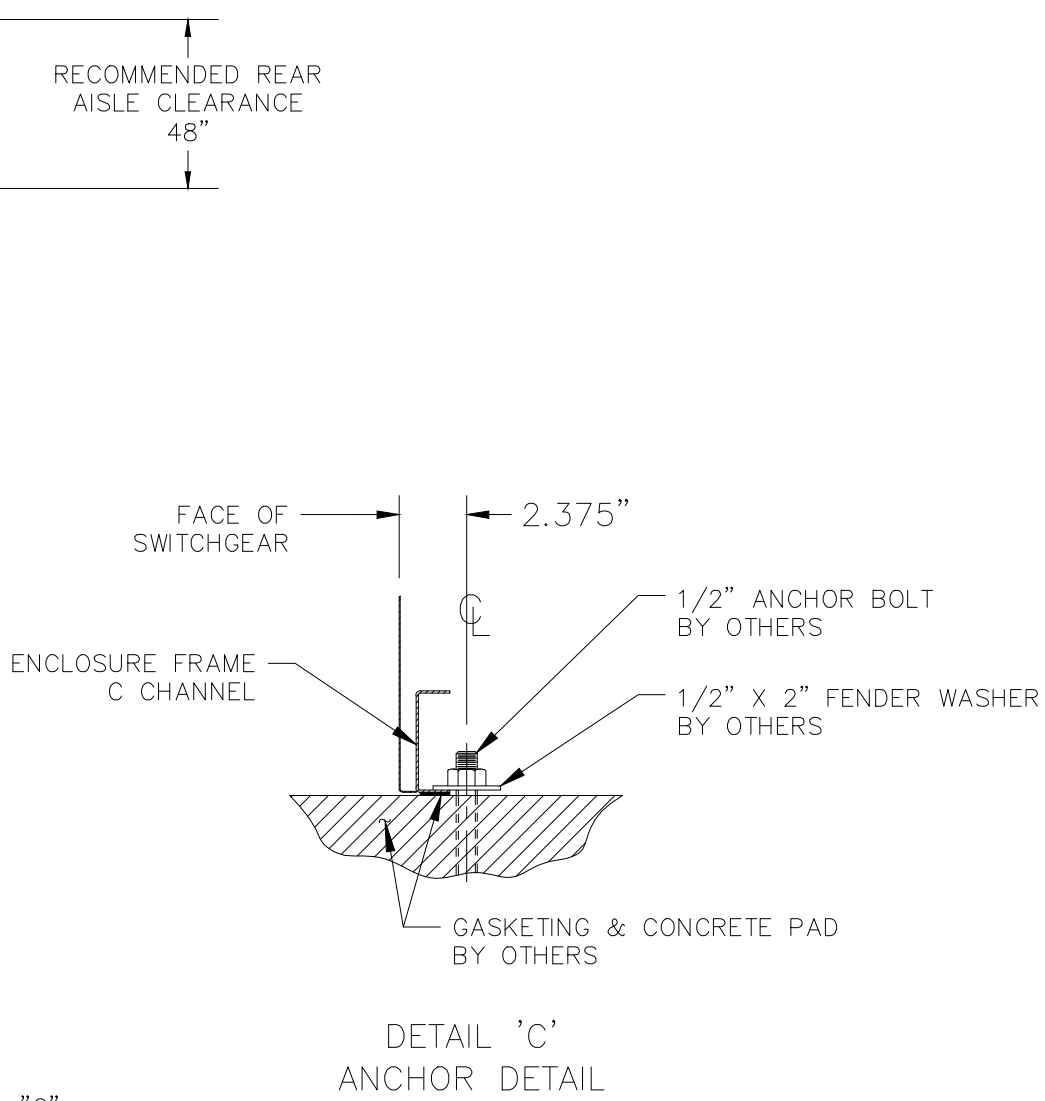
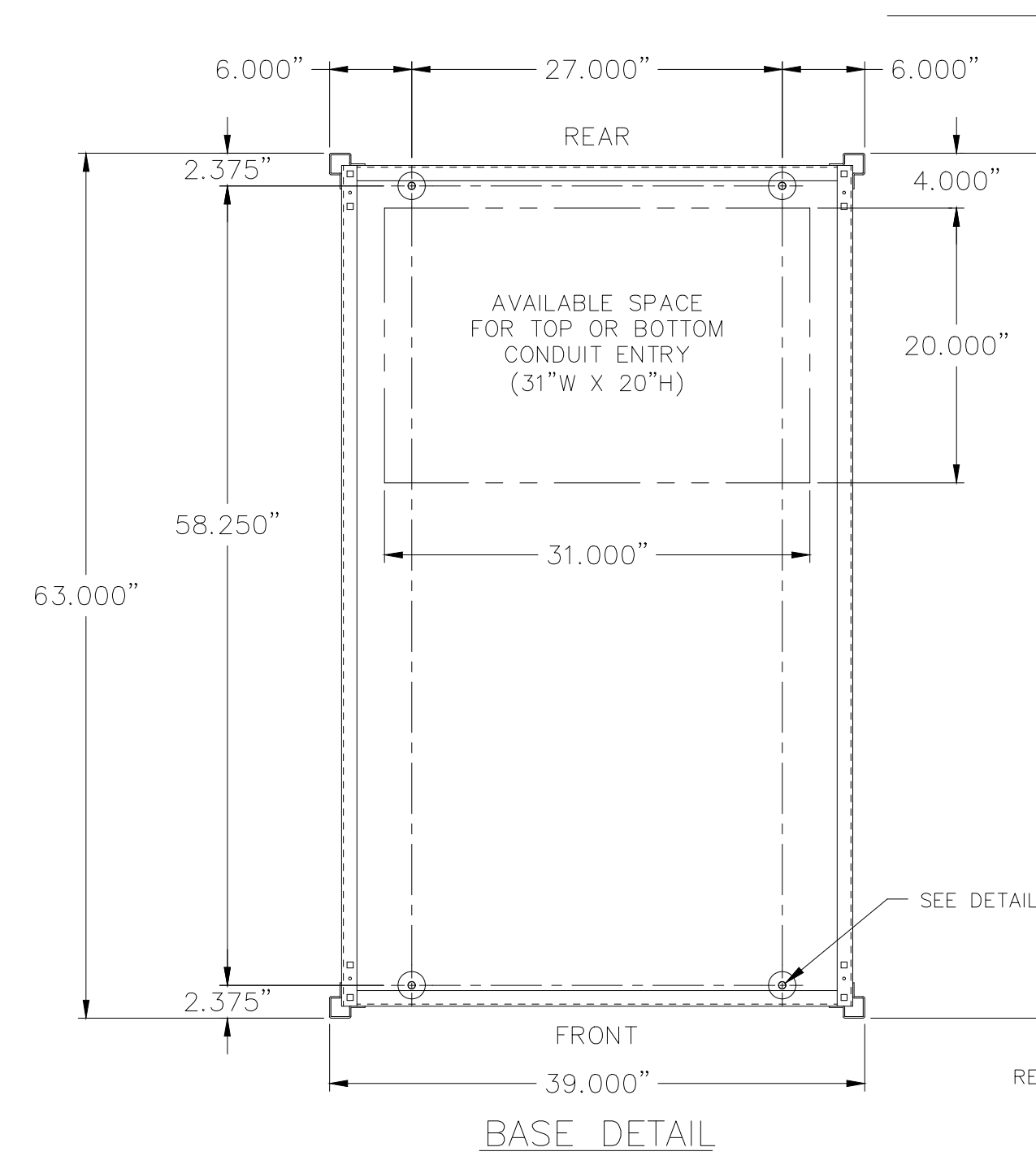


REVISIONS			
REV.	DESCRIPTION	DATE	APPROVED
1	C084849 ESTABLISH DRAWING	01/22/20	YP MAS

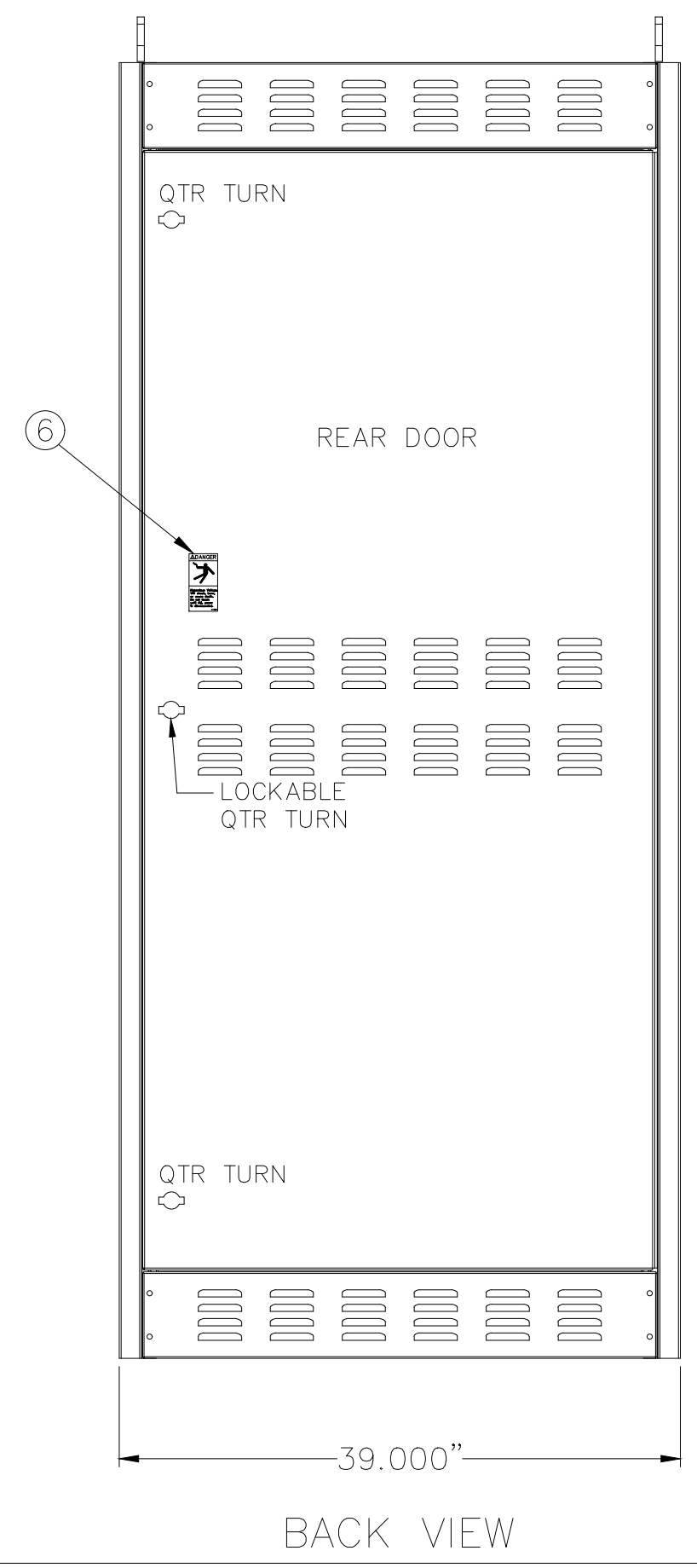
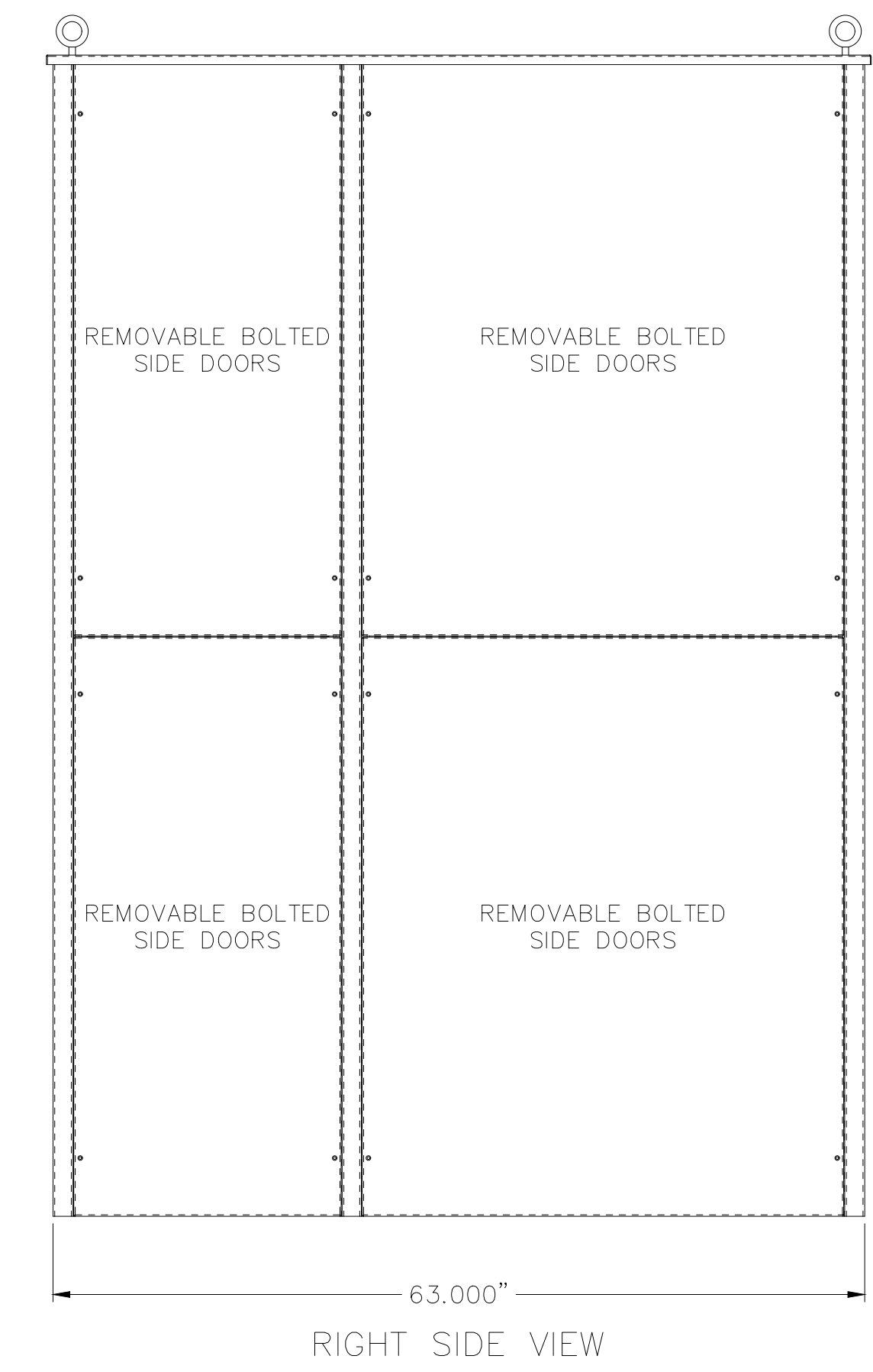
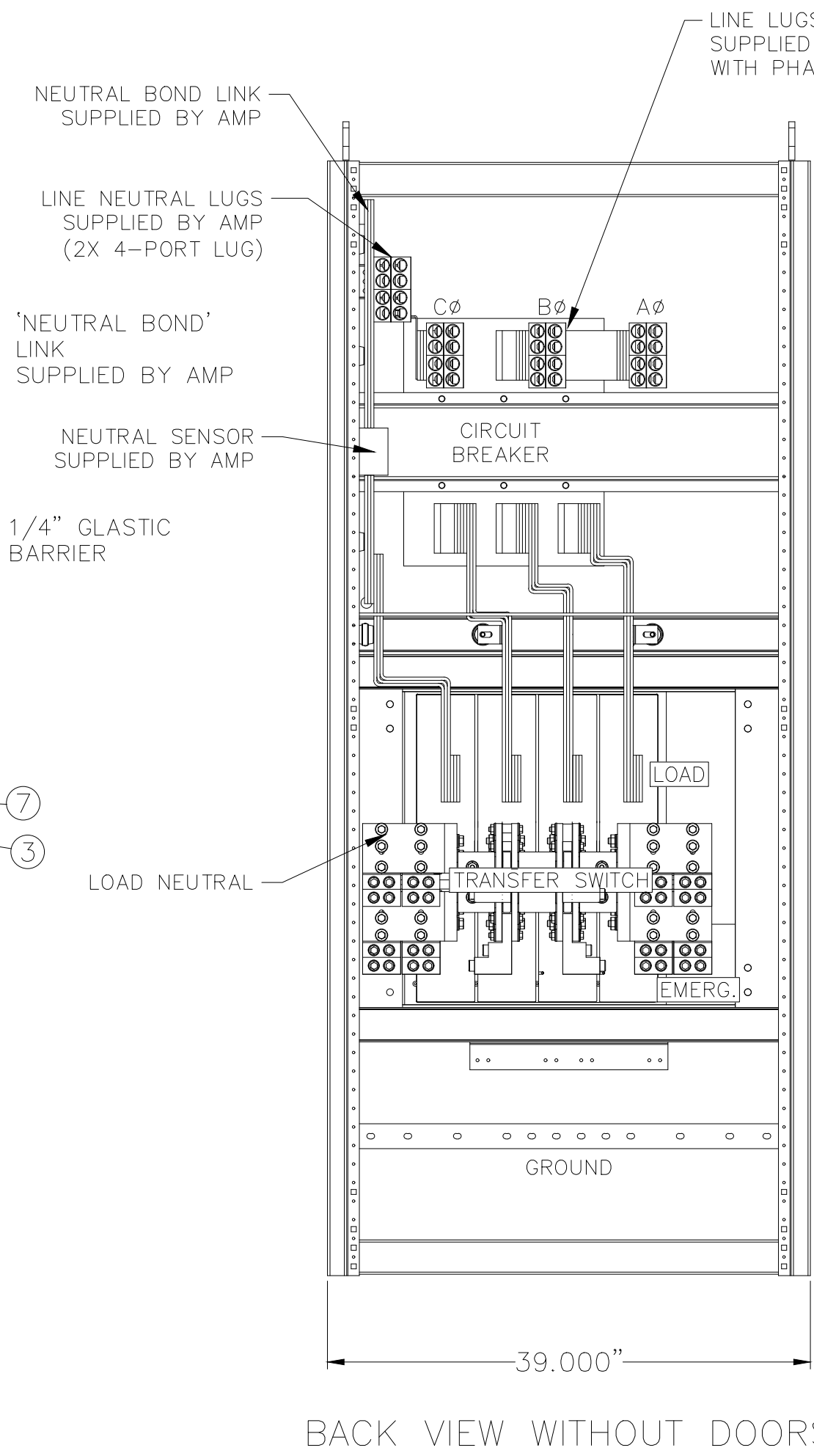
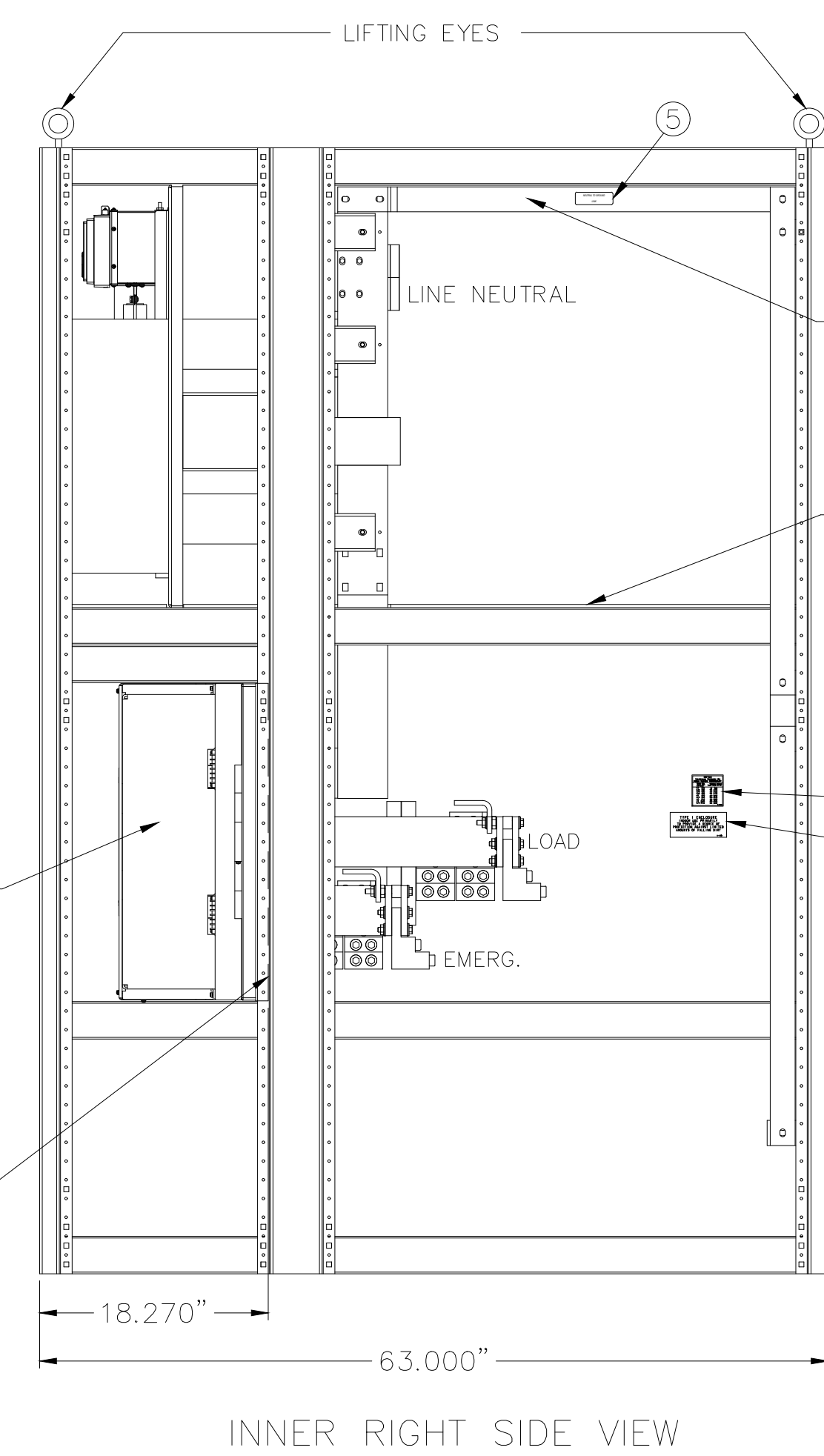
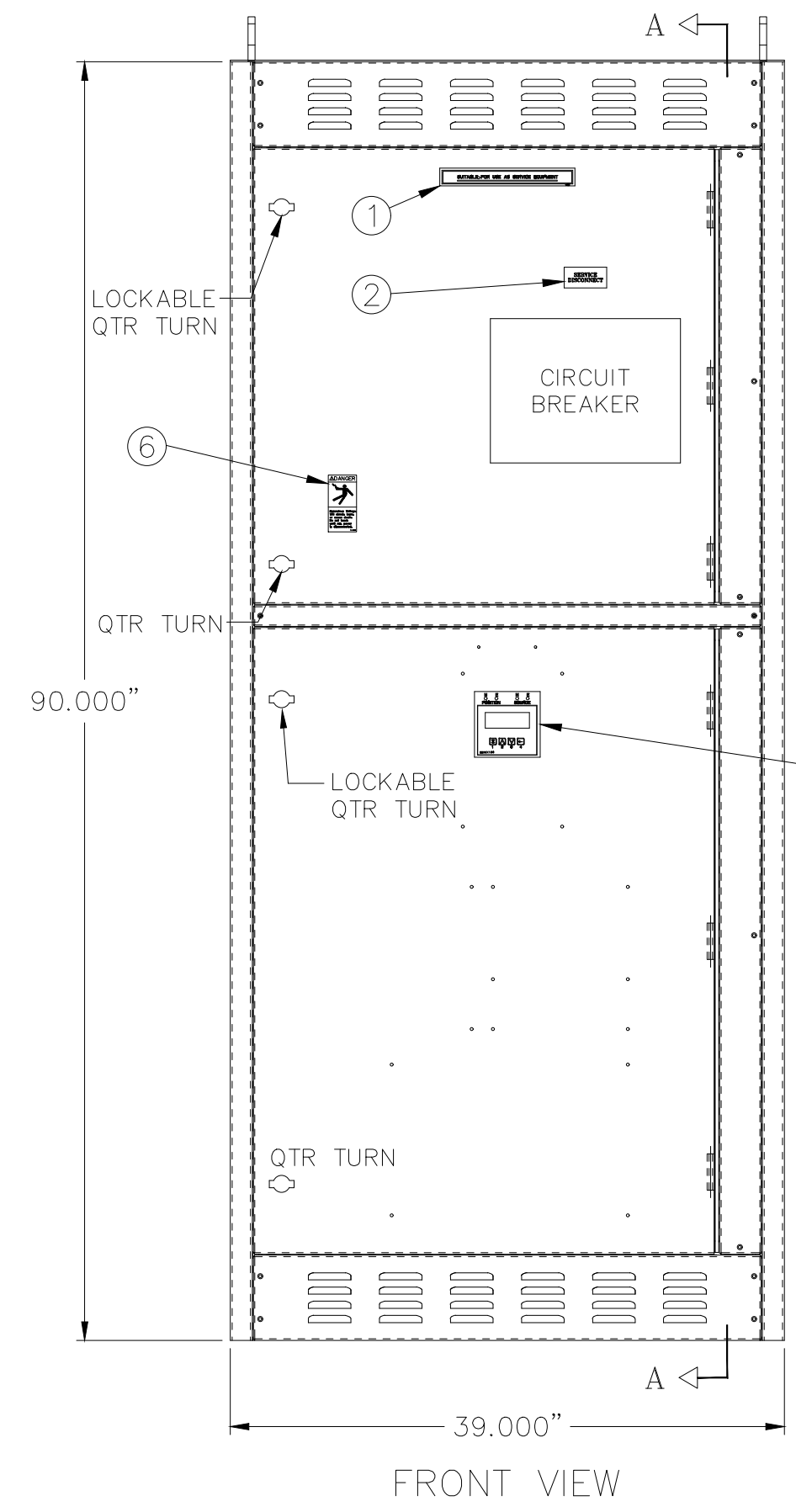


SYMBOL LEGEND
 O & u = MECH. LUGS (SEE TABLE FOR DETAILS)
 NCT = NEUTRAL CURRENT SENSOR
 RBS = REMOVABLE GROUND STRAP
 DL = NEUTRAL DISCONNECT LINK
 N = NORMAL
 E = EMERGENCY
 L = LOAD

NOTES:

SYSTEM RATING: 100KA

ENCLOSURE:	NEMA 1 TYPE	LABELS
INSTALLATION:	FLOOR MOUNTED	1. SUITABLE FOR AS SERVICE ENTRANCE
FINISH:	ANSI 61 GRAY	2. SERVICE DISCONNECT
ACCESS:	REAR & SIDES	3. TYPE 1 ENCLOSURE
COMPONENTS RATING AND SPECIFICATIONS (ATS):		
SERVICE ENTRANCE:	2600-3000A, 4 POLE UNIT, FULLY RATED	4. UL891 (ON INNER SIDE OF DOOR)
SHORT CIRCUIT WITHSTAND AND CLOSING RATING (UL)	100kA @ 480V	5. NEUTRAL TO GROUND LINK
CIRCUIT BREAKER:		
GE PBII-ICCB, EntelliGuard TU Trip unit, LSIG TRIP UNIT		
MOUNT TYPE:	STATIONARY	
SIZE:	3000AF/3000AT-2500AT	
SHORT CIRCUIT INTERRUPT RATING	100kAIC @ 480V	
U.L. LABEL	891	
"SUITABLE TO USE AS SERVICE ENTRANCE EQUIPMENT"		
BUS:		
MATERIAL:	COPPER 1000A/in (3-1/4" X 4" PHASE/NEUTRAL)	
(1-1/4" X 2" GROUND BUS)		
FINISH:	SILVER PLATED	
CABLE:		
52-N	(8)-600Kcmil PER PHASE & NEUTRAL	
LOAD	(8)-600Kcmil PER PHASE & NEUTRAL	
EMERGENCY	(8)-600Kcmil PER PHASE & NEUTRAL	
GROUND	SPACE FOR UP TO (24)-1/0-250Kcmil LUG	



FOR ADDITIONAL INFO REFER TO	SIGNATURES	DATE	TITLE
APPLIED PRACTICES UNLESS OTHERWISE SPECIFIED DIMENSIONS ARE IN INCHES	MODEL MRR	3/19/10	2600A/3000A SERVICE ENTRANCE (4P-N1) OUTLINE DRAWING
TOLERANCES ON:	CHECKED		
2 PL. DECIMALS ± .020	ENGRG YP	3/19/10	
3 PL. DECIMALS ± .005	MFG		
ANGLES ± 1°	QUALITY		
FRACTIONS ± 1/64	ISSUED		FIRST MADE FOR: 2TGS30(4P-N1)
FINISH ✓	DRAWING FILE: 50c-4229G.dwg		SIZE CAGE CODE DWG NO
AutoCad Generated	MODEL / ASSEMBLY FILE:		D 50C-4229G
# CTQs	CRITICAL TO QUALITY CHARACTERISTIC		SCALE: NONE SHEET 1 of 1

ABB PROPRIETARY AND CONFIDENTIAL INFORMATION
 The information contained in this document has to be kept strictly confidential. Any unauthorized use, reproduction, distribution or disclosure to third parties is strictly forbidden. ABB reserves all rights regarding intellectual property rights. Copyright 2018 ABB. All rights reserved.

