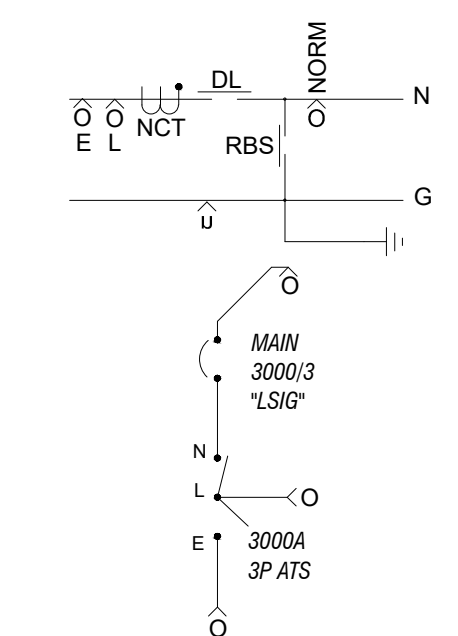
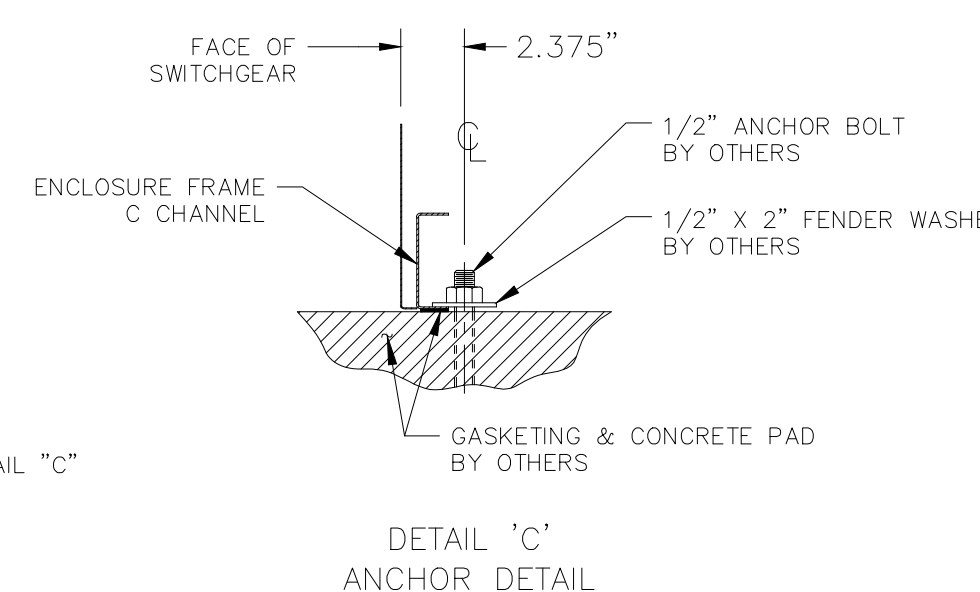
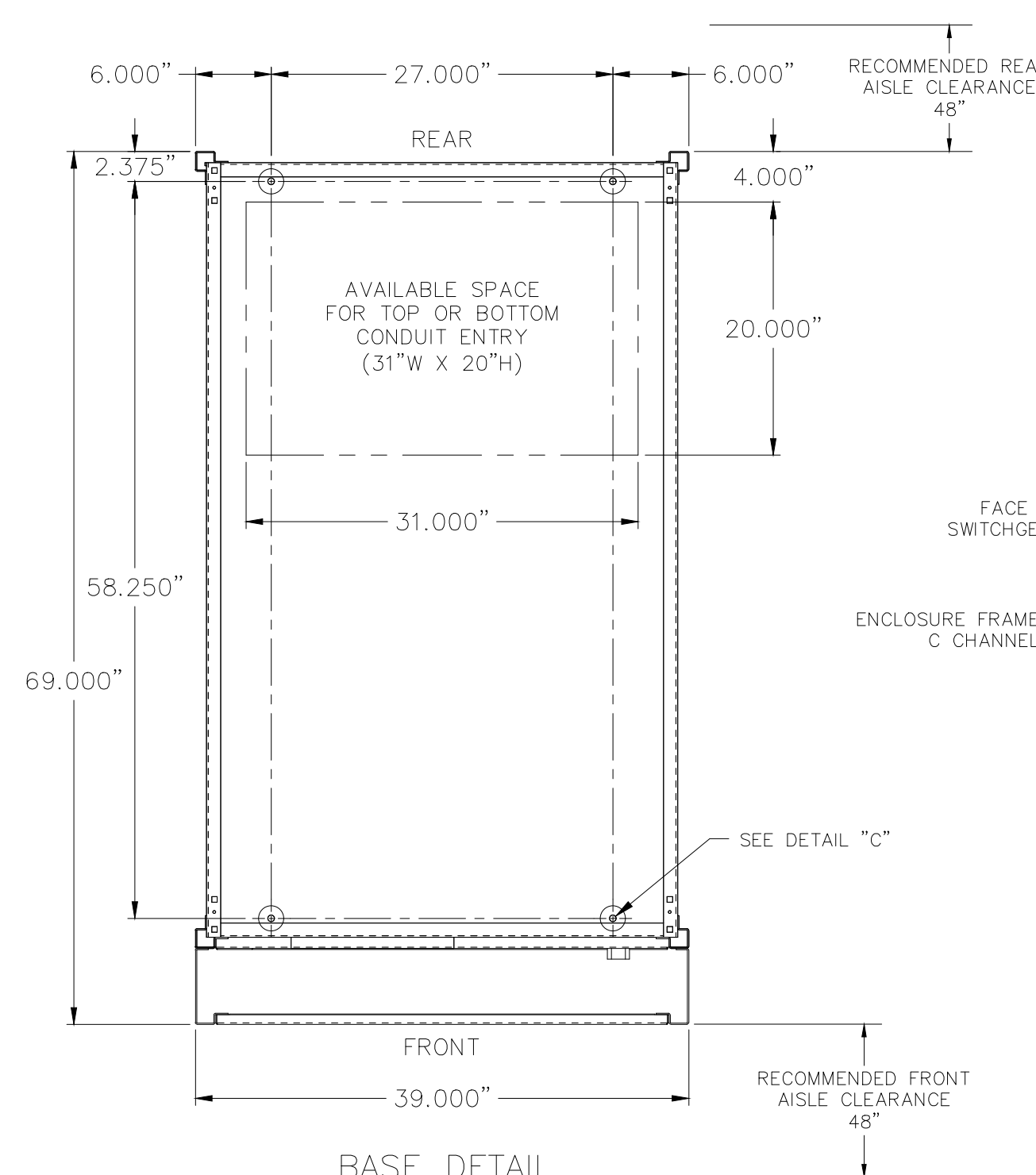


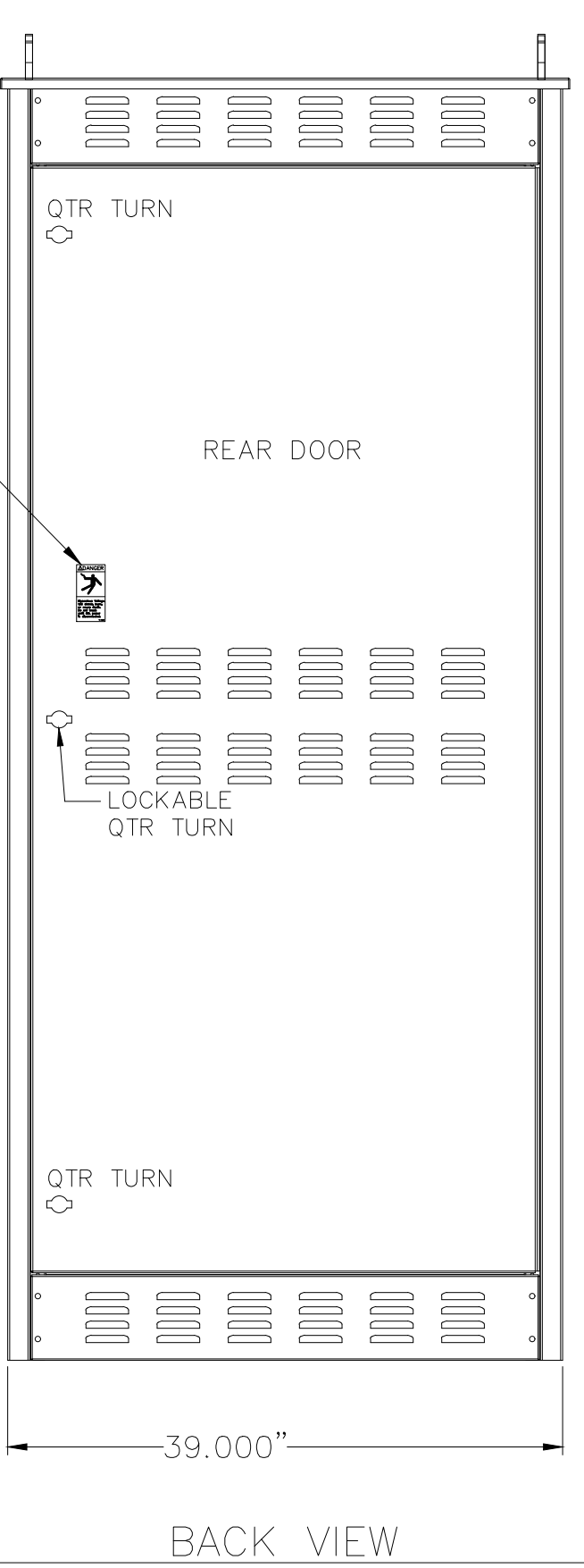
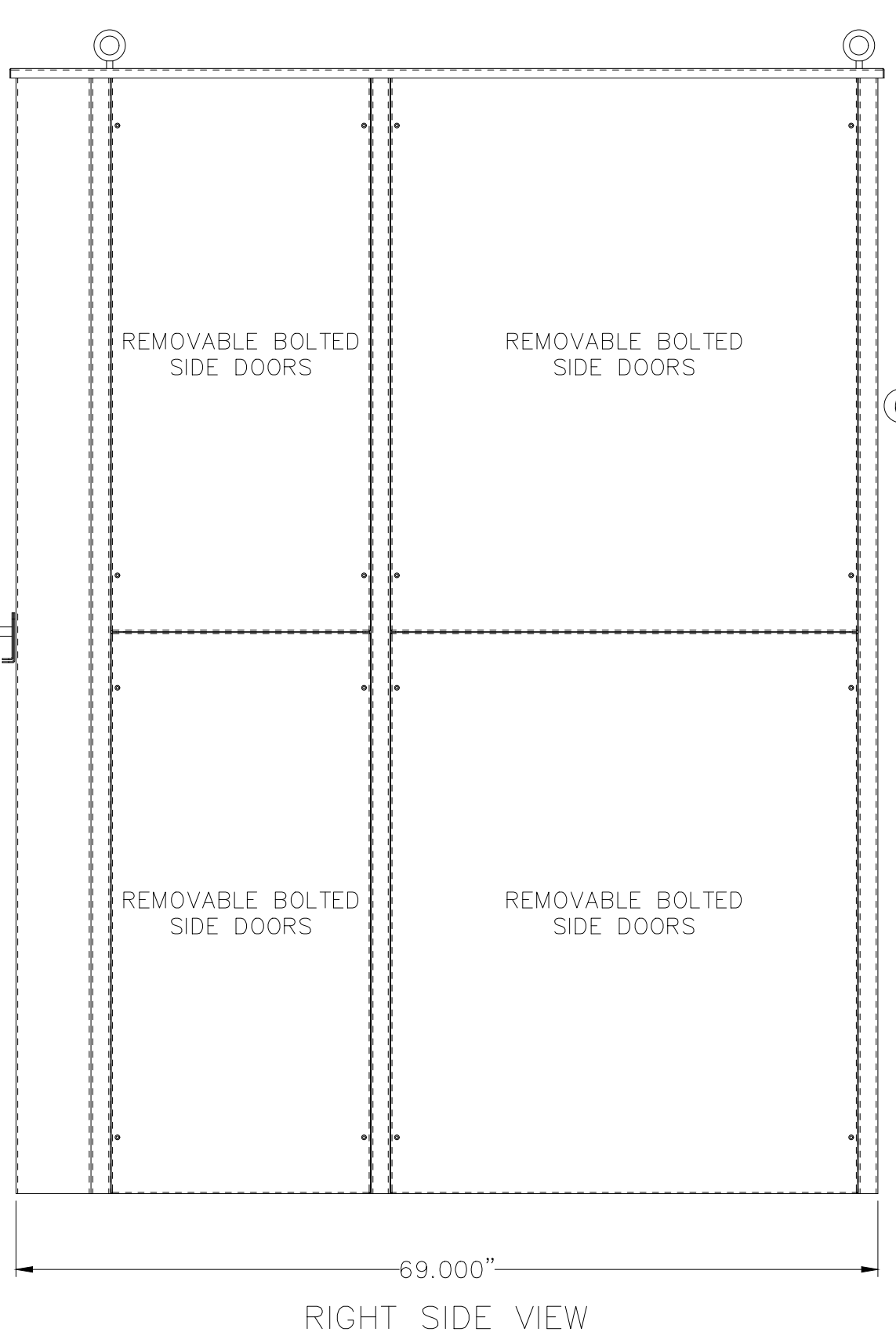
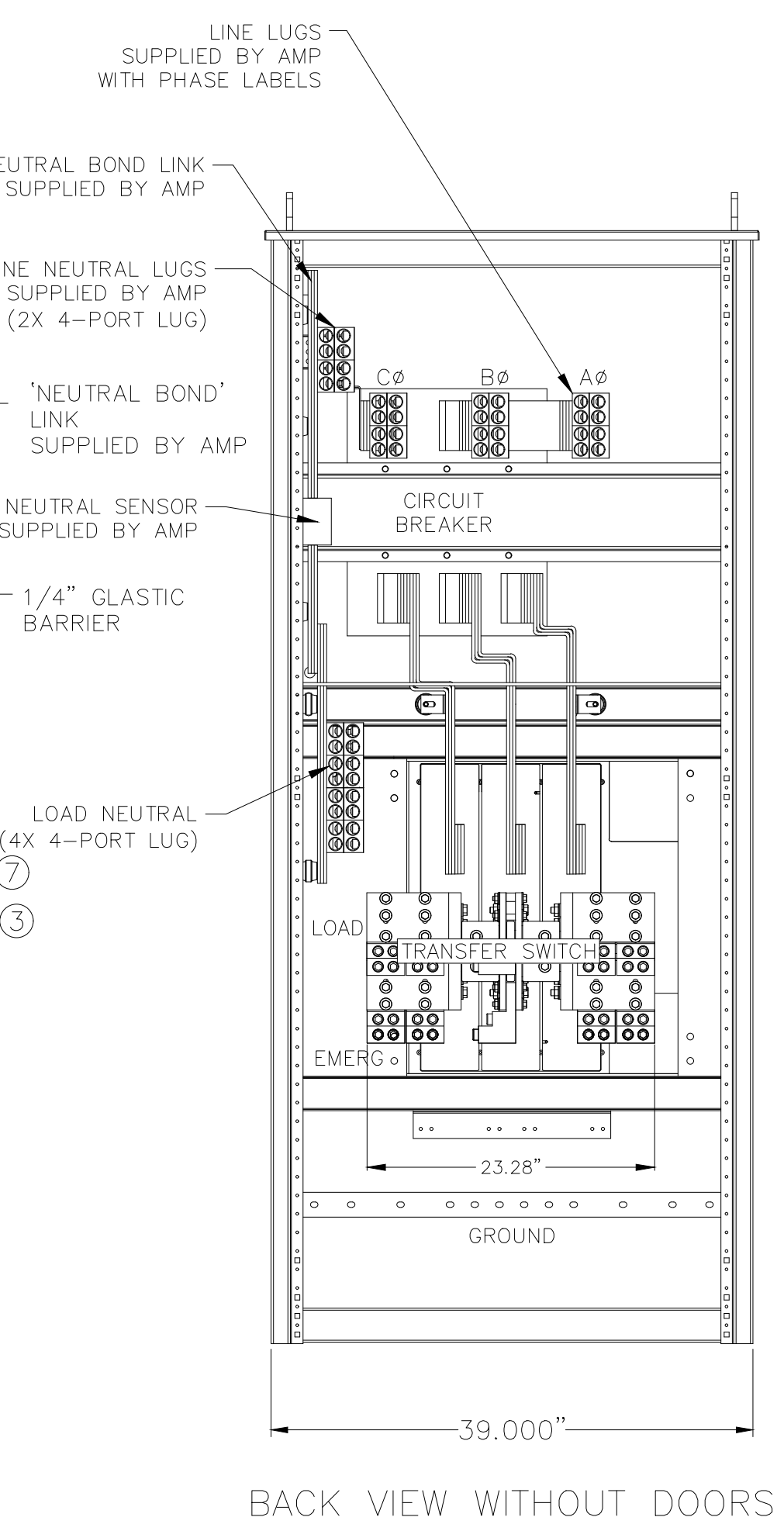
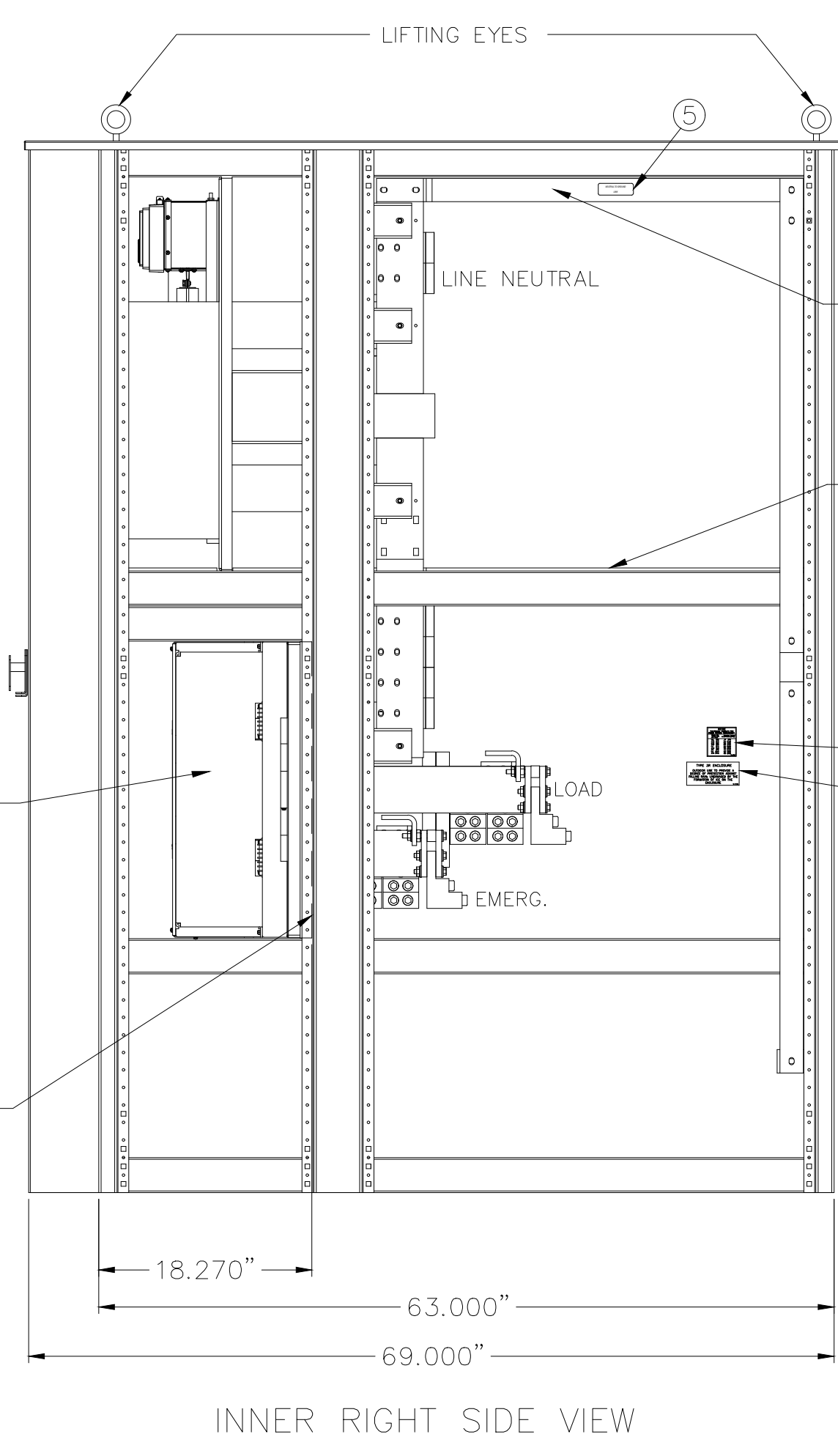
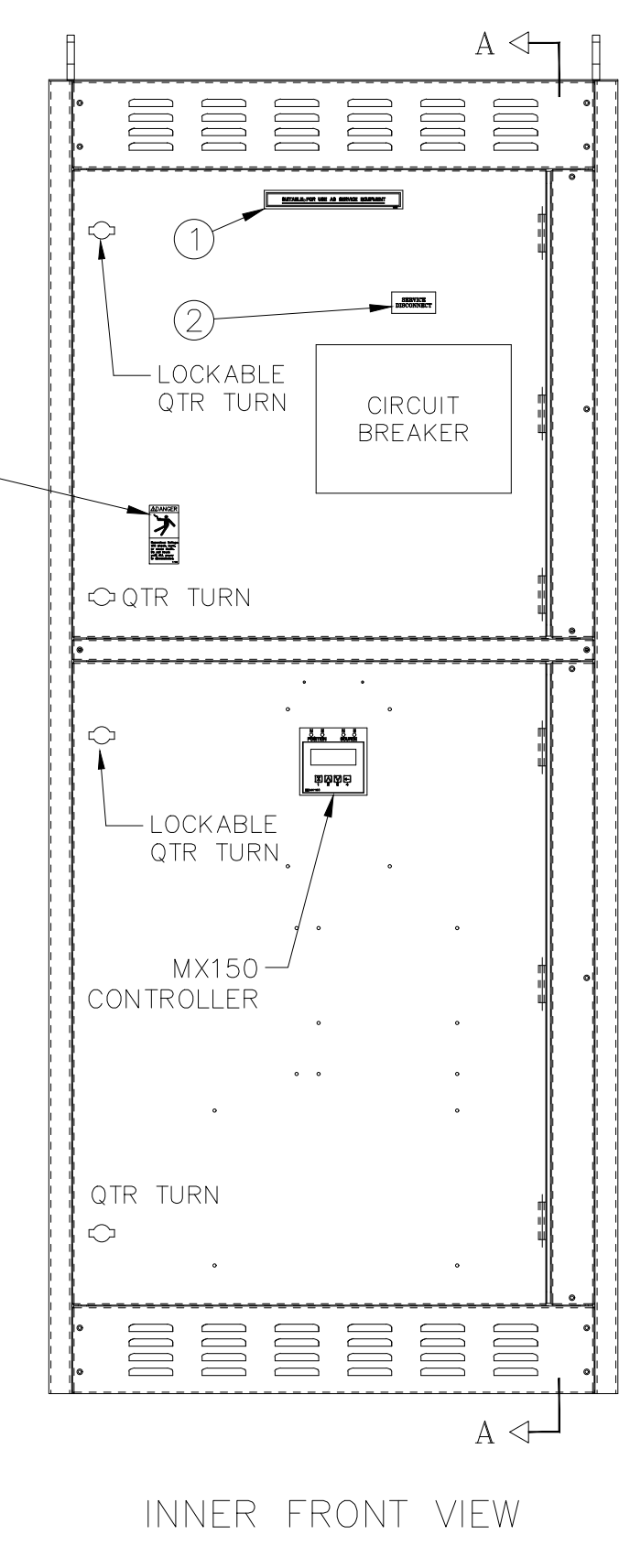
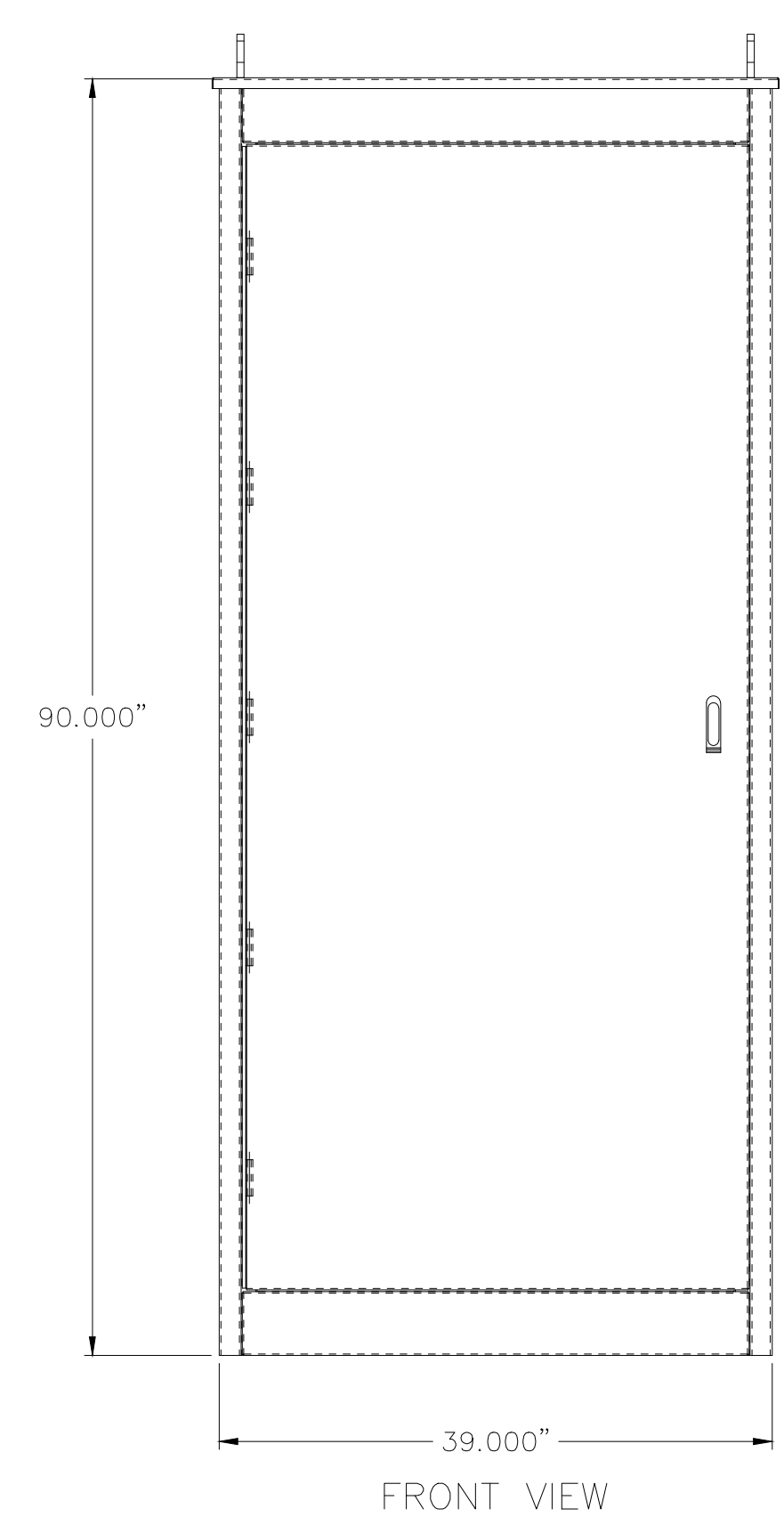
REVISIONS			
REV.	DESCRIPTION	DATE	APPROVED
1	C084849 ESTABLISH DRAWING	01/22/20	YP MAS



SYMBOL LEGEND
 O & u = MECH. LUGS (SEE TABLE FOR DETAILS)
 NCT = NEUTRAL CURRENT SENSOR
 RBS = REMOVABLE GROUND STRAP
 DL = NEUTRAL DISCONNECT LINK
 N = NORMAL
 E = EMERGENCY
 L = LOAD

ONE LINE DIAGRAM (2600A / 3000A)

NOTES:		
SYSTEM RATING: 100KA		
ENCLOSURE:	NEMA 3R TYPE	LABELS
INSTALLATION:	FLOOR MOUNTED	1. SUITABLE FOR AS SERVICE ENTRANCE
FINISH:	ANSI 61 GRAY	2. SERVICE DISCONNECT
ACCESS:	REAR & SIDES	3. TYPE 1 ENCLOSURE
COMPONENTS RATING AND SPECIFICATIONS (ATS):		4. UL891 (ON INNER SIDE OF DOOR)
SERVICE ENTRANCE:	2600-3000A, 3 POLE UNIT, FULLY RATED	5. NEUTRAL TO GROUND LINK
SHORT CIRCUIT WITHSTAND AND CLOSING RATING (UL)	100KA @ 480V	6. HIGH VOLTAGE DANGER (ON DOOR)
CIRCUIT BREAKER:		7. TORQUE LABEL - FIELD WIRING TERMINALS
GE PBII-ICCB, IntelliGuard TU Trip unit, LSIG TRIP UNIT		
MOUNT TYPE:	STATIONARY	
SIZE:	3000AF/3000AT-2500AT	
SHORT CIRCUIT INTERRUPT RATING	100KAIC @ 480V	
U.L. LABEL	891	
BUS:		
MATERIAL:	COPPER 1000A/in (3-1/4" X 4" PHASE/NEUTRAL)	
(1-1/4" X 2" GROUND BUS)		
FINISH:	SILVER PLATED	
CABLE:		
52-N	(8)-600Kcmil PER PHASE & NEUTRAL	
LOAD	(8)-600Kcmil PER PHASE & NEUTRAL	
EMERGENCY	(8)-600Kcmil PER PHASE & NEUTRAL	
GROUND	SPACE FOR UP TO (24)-1/0-250Kcmil LUG	



FOR ADDITIONAL INFO REFER TO	SIGNATURES	DATE
APPLIED PRACTICES UNLESS OTHERWISE SPECIFIED DIMENSIONS ARE IN INCHES	MODEL MRR	3/19/10
TOLERANCES ON:	CHECKED	
2 PL. DECIMALS ± .020	ENGRG YP	3/19/10
3 PL. DECIMALS ± .005	MFG	
ANGLES ± 1°	QUALITY	
FRACTIONS ± 1/64	ISSUED	
FINISH ✓	DRAWING FILE: 50c-4230G.dwg	
AutoCad Generated	MODEL / ASSEMBLY FILE:	
# CTQS	CRITICAL TO QUALITY CHARACTERISTIC	

TITLE		
2600A/3000A SERVICE ENTRANCE (3P-N3R) OUTLINE DRAWING		
FIRST MADE FOR: 27GSE30(3P-N3R)	SIZE / CAGE CODE	DWG NO
	D	50C-4230G
SCALE: NONE	SHEET 1 of 1	

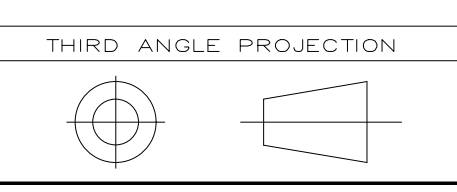


ABB PROPRIETARY AND CONFIDENTIAL INFORMATION
 The information contained in the document has to be kept strictly confidential. Any unauthorized use, reproduction, distribution or disclosure to third parties is strictly forbidden. ABB reserves all rights regarding Intellectual Property Rights. Copyright 2018 ABB. All rights reserved.