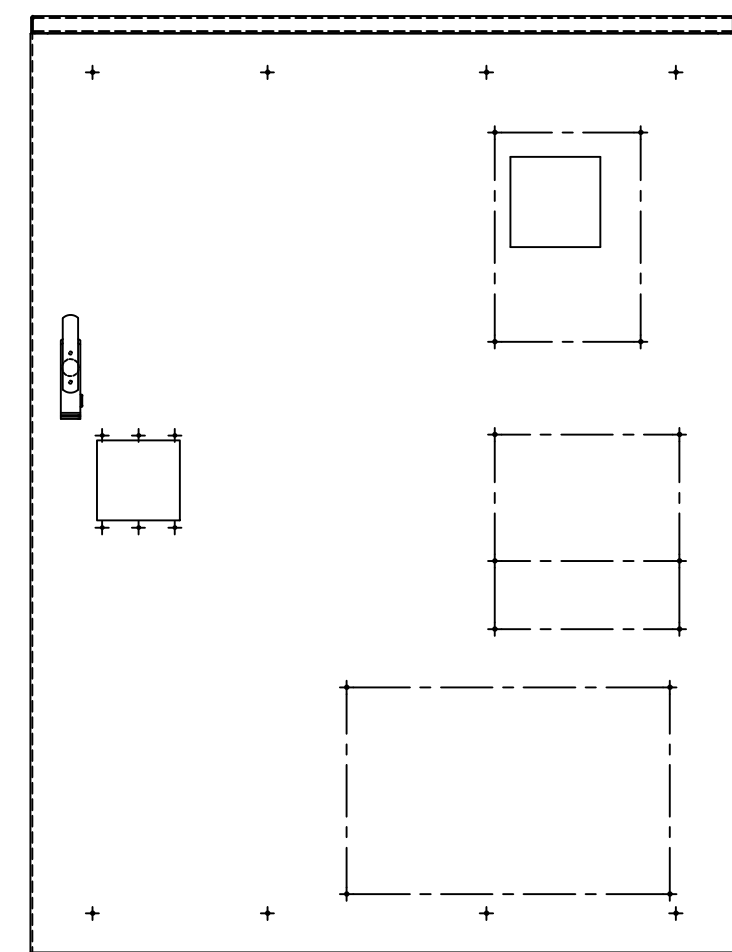
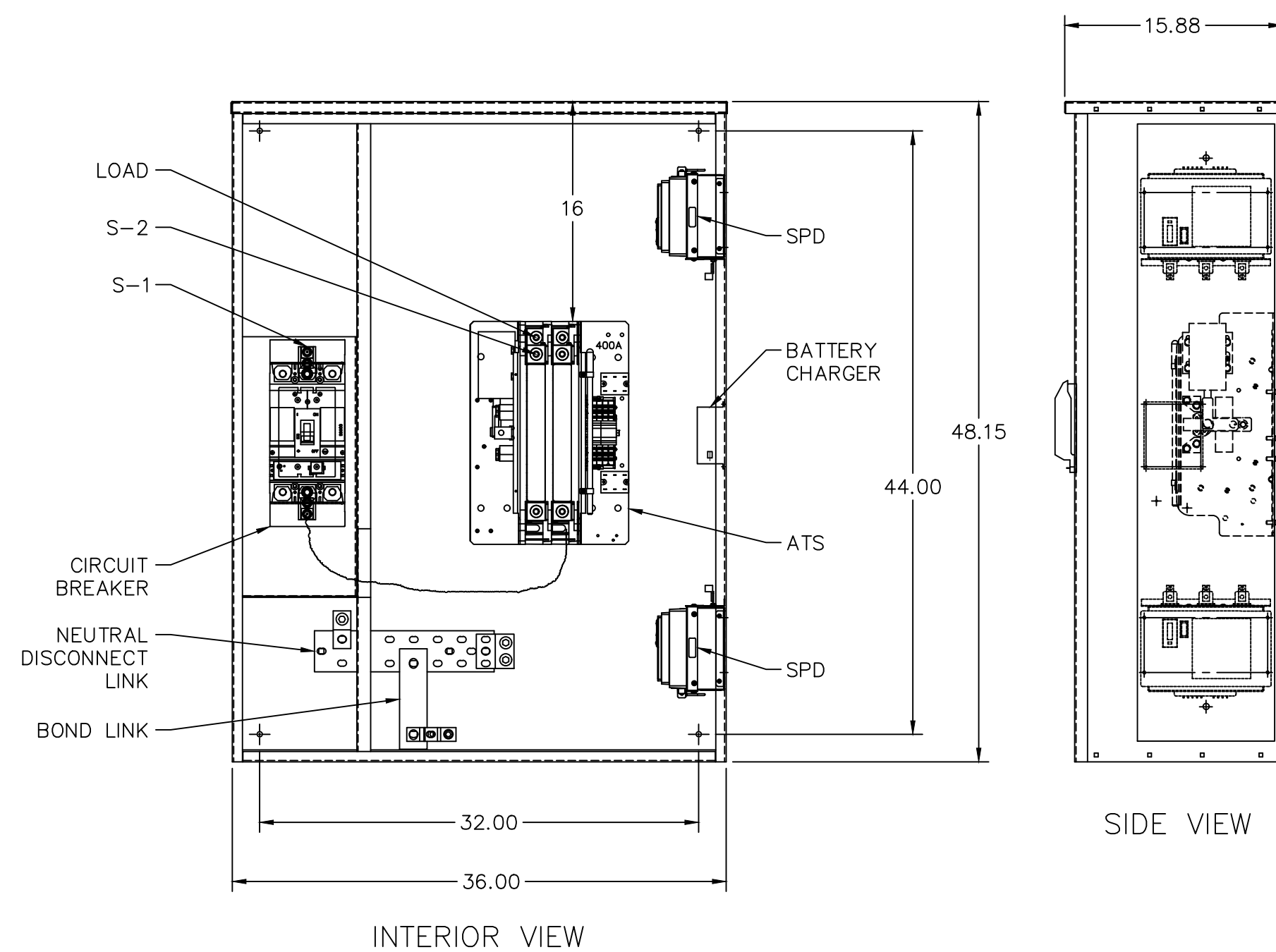


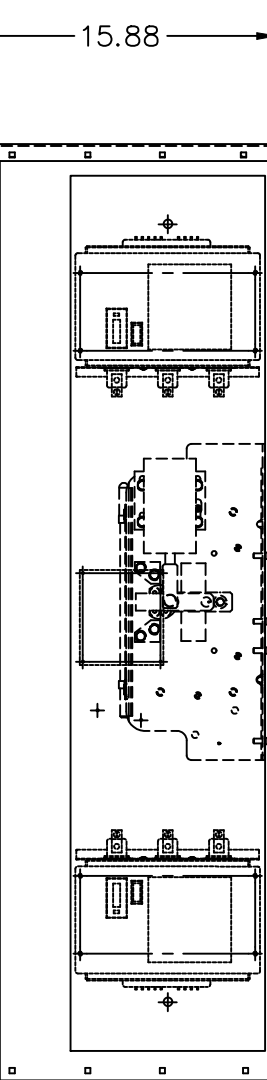
REVISIONS			
REV.	DESCRIPTION	DATE	APPROVED
1	C075076 UPDATED REBRANDING	09/09/19	AR MAS



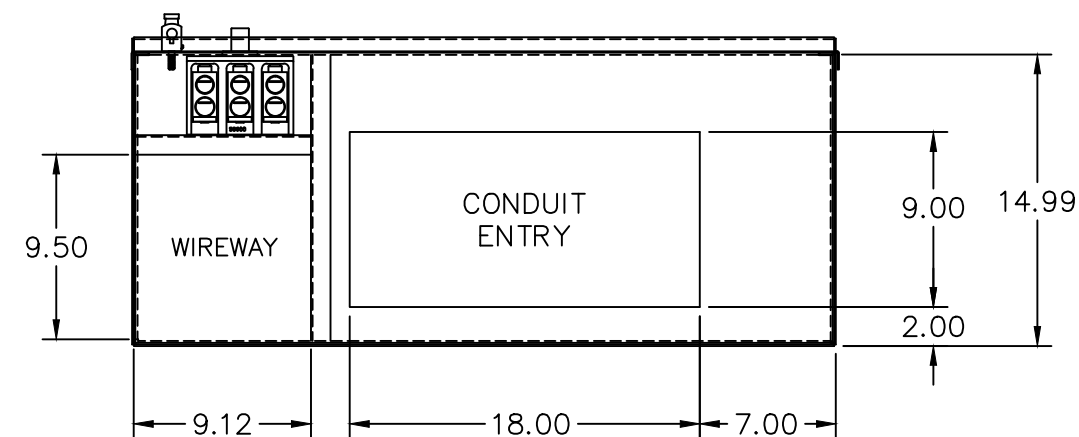
FRONT VIEW



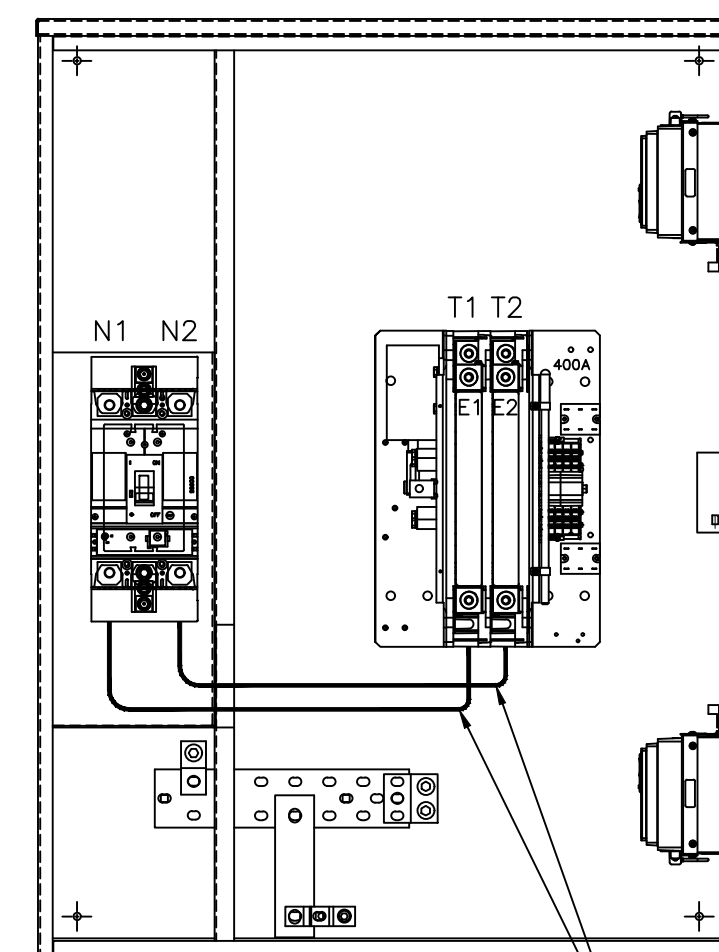
INTERIOR VIEW



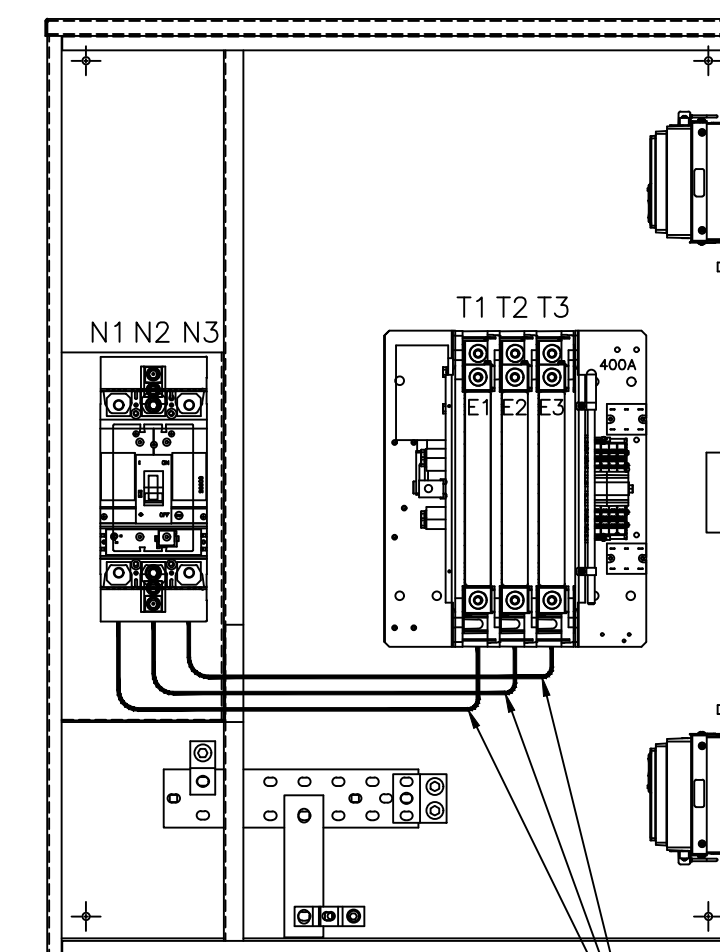
SIDE VIEW



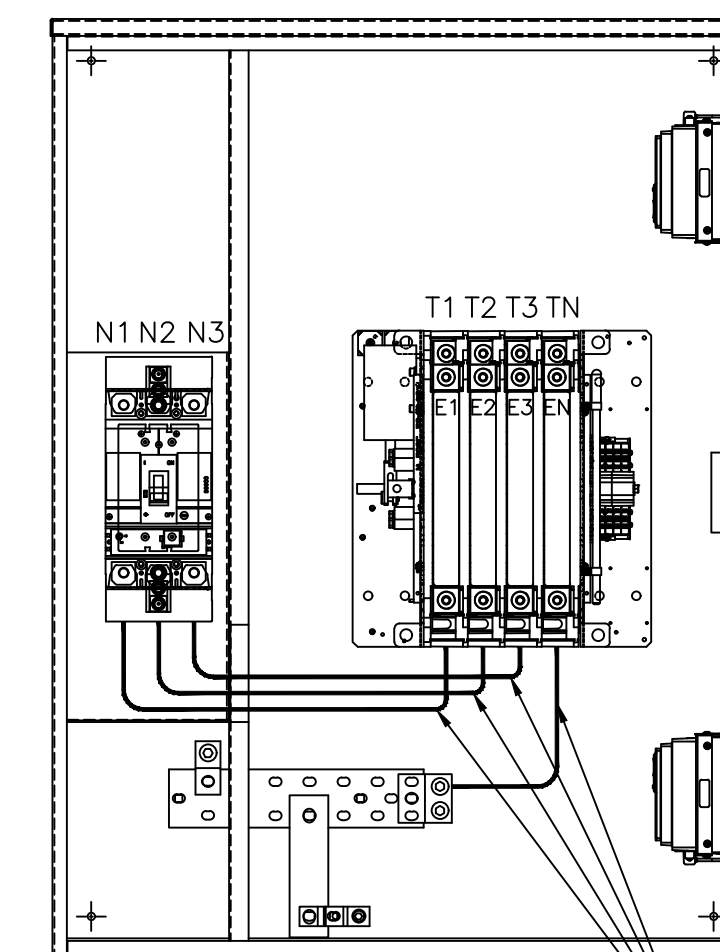
BOTTOM VIEW



2 POLE WIRING

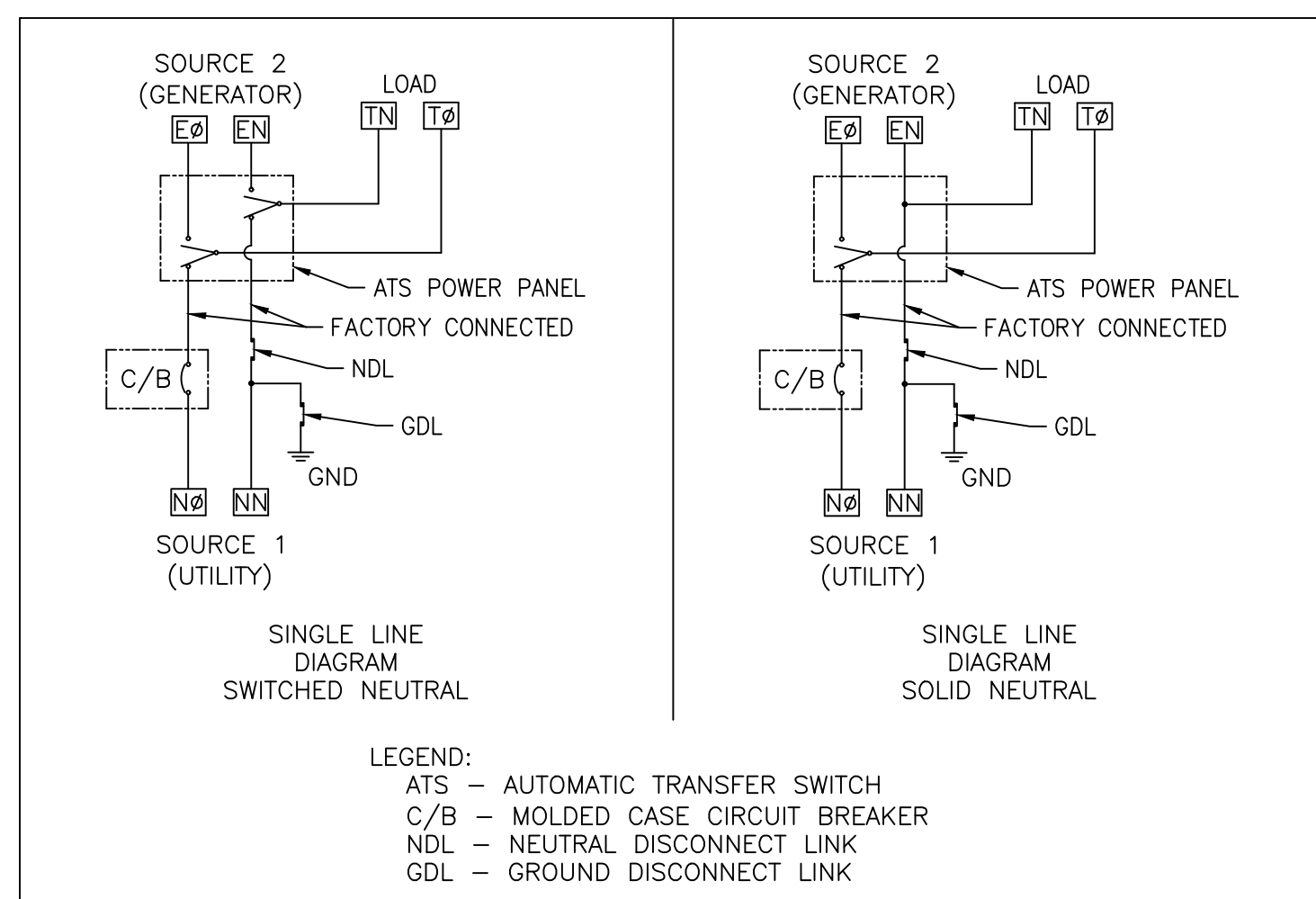


3 POLE WIRING



4 POLE WIRING

CONTACT GE ZENITH CONTROLS FOR ADDITIONAL OPTIONS
OPTIONAL ACCESSORIES SHOWN IN PHANTOM DISPLAY



LEGEND:
ATS - AUTOMATIC TRANSFER SWITCH
C/B - MOLDED CASE CIRCUIT BREAKER
NDL - NEUTRAL DISCONNECT LINK
GDL - GROUND DISCONNECT LINK

OPTIONS		
NAME	DESCRIPTION	NOTES
BC	BATTERY CHARGER	12V/6AMP OR 24V/3AMP OUTPUT
SPD	GE TRANQUELL ME	100KA PER MODE, MEDIUM EXPOSURE AVAILABLE FOR SOURCE 1, 2 AND LOAD
EPM	POWER METER	SERIES OF METERING OPTIONS
STS	SHUNT TRIP SELECTOR	DOOR MOUNTED SHUNT TRIP SELECTOR SWITCH WITH SIGNAL INDICATING THE TRIP POSITION
BB	C/B AUX CONTACTS	1 CONTACT WITH STS AND 2 WITHOUT STS OPTION

NOTES:

ENCLOSURE: NEMA 1 TYPE (FLOOR AND/OR WALL MOUNTED)
FINISH: ANSI 61 GRAY
ACCESS: FRONT ONLY
MCCB ACCESSORY: PADLOCKING (PROVISION ONLY)

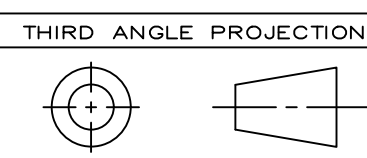
SYSTEM RATING AND SPECIFICATIONS:

SERVICE ENTRANCE: 40-400A, 2, 3 & 4 POLE UNIT, FULLY RATED
NEUTRAL DISCONNECT LINK: 100% RATED
GROUND DISCONNECT LINK: 100% RATED
* REFER TABLE FOR MORE DETAILS *

AMP	MCCB FRAME	80% RATED	WIRE RANGE			ATS WCR RATING (UL) @ 480V	BREAKER IC RATING (UL) @ 480V
			S-1 (UTILITY)	S-2 (GENERATOR)	LOAD		
40	SE	60AF / 40AT	(1) 12 AWG-3/0	(1) 8 AWG-3/0	(1) 8 AWG-3/0	30KA	65KA
80	SE	100AF / 80AT	(1) 12 AWG-3/0	(1) 8 AWG-3/0	(1) 8 AWG-3/0	30KA	65KA
100	SF	250AF / 100AT	(1) 8 AWG-350MCM	(1) 8 AWG-3/0	(1) 8 AWG-3/0	30KA	65KA
150	SF	250AF / 150AT	(1) 8 AWG-350MCM	(1) 8 AWG-3/0	(1) 8 AWG-3/0	30KA	65KA
200	SF	250AF / 200AT	(1) 8 AWG-350MCM	(1) 6 AWG-250MCM	(1) 6 AWG-250MCM	30KA	65KA
225	SG	400AF / 225AT	(1) 6 AWG-600MCM OR (2) 2/0-500MCM	(1) 6 AWG-250MCM	(1) 6 AWG-250MCM	30KA	65KA
260	SG	400AF / 250AT	(1) 6 AWG-600MCM OR (2) 2/0-500MCM	(1) 6 AWG-350MCM	(1) 6 AWG-350MCM	35KA	65KA
400	SG	600AF / 400AT	(1) 6 AWG-600MCM OR (2) 2/0-500MCM	(1) 4 AWG-600MCM OR (2) 1/0-250MCM	(1) 4 AWG-600MCM OR (2) 1/0-250MCM	50KA	65KA

FOR ADDITIONAL INFO REFER TO APPLIED PRACTICES UNLESS OTHERWISE SPECIFIED DIMENSIONS ARE IN INCHES.	SIGNATURES	DATE	TITLE
TOLERANCES ON: 2 PL. DECIMALS ± .020 3 PL. DECIMALS ± .005 ANGLES ± 1° FRACTIONS ± 1/64 FINISH ✓	MODEL MRR ENGRG YP MFG QUALITY ISSUED	3/24/10 3/24/10	
DRAWING FILE: 50c-4232.dwg MODEL / ASSEMBLY FILE: # CTGS	CRITICAL TO QUALITY CHARACTERISTIC	SCALE: NONE	DWG NO: 50C-4232 SHEET 1 of 1

ABB PROPRIETARY AND CONFIDENTIAL INFORMATION
The information contained in the document has to be kept strictly confidential.
Any unauthorized use, reproduction, distribution or disclosure to third parties is strictly forbidden.
ABB reserves all rights regarding Intellectual Property Rights.
Copyright 2016 ABB. All rights reserved.



THIRD ANGLE PROJECTION