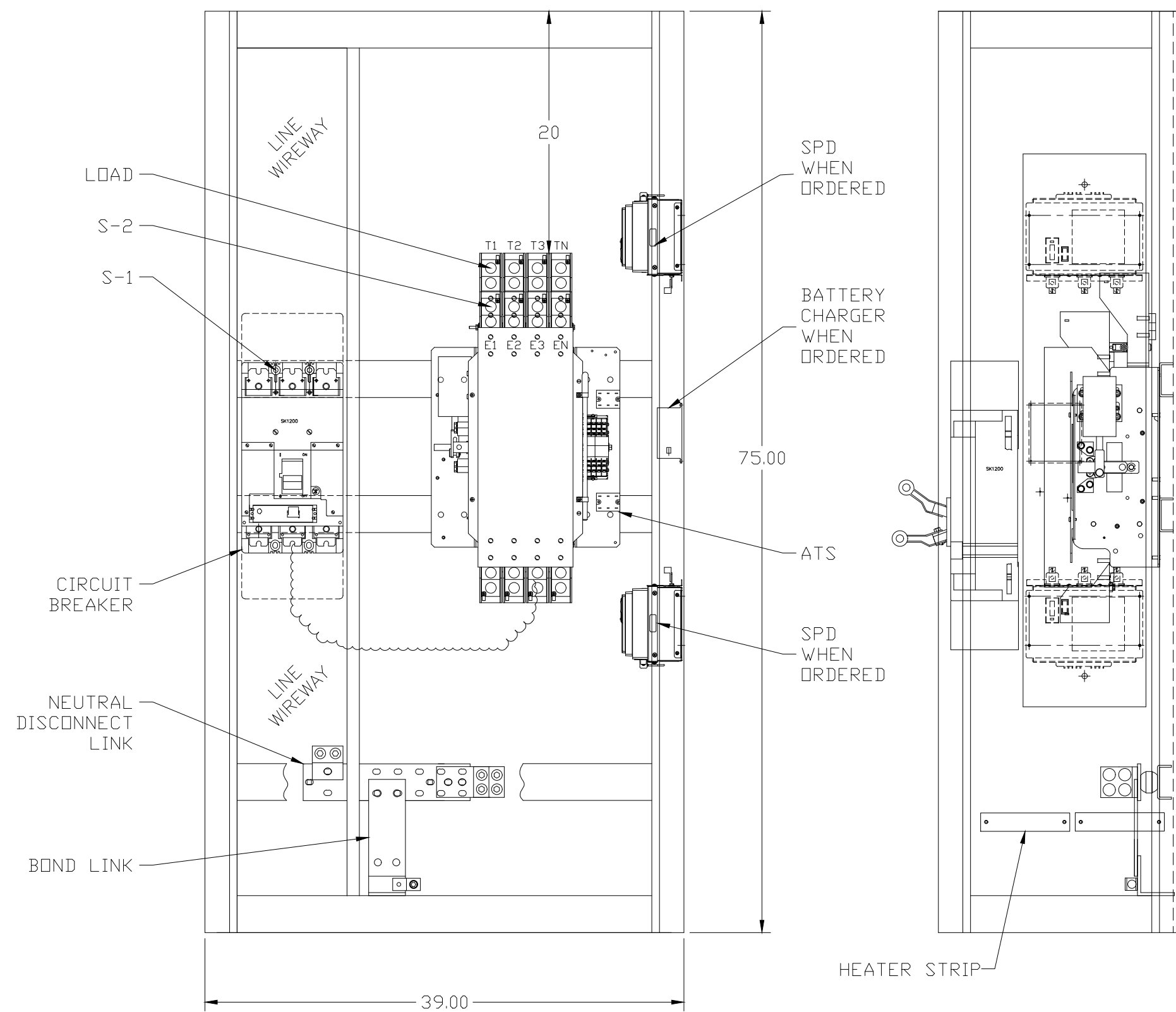
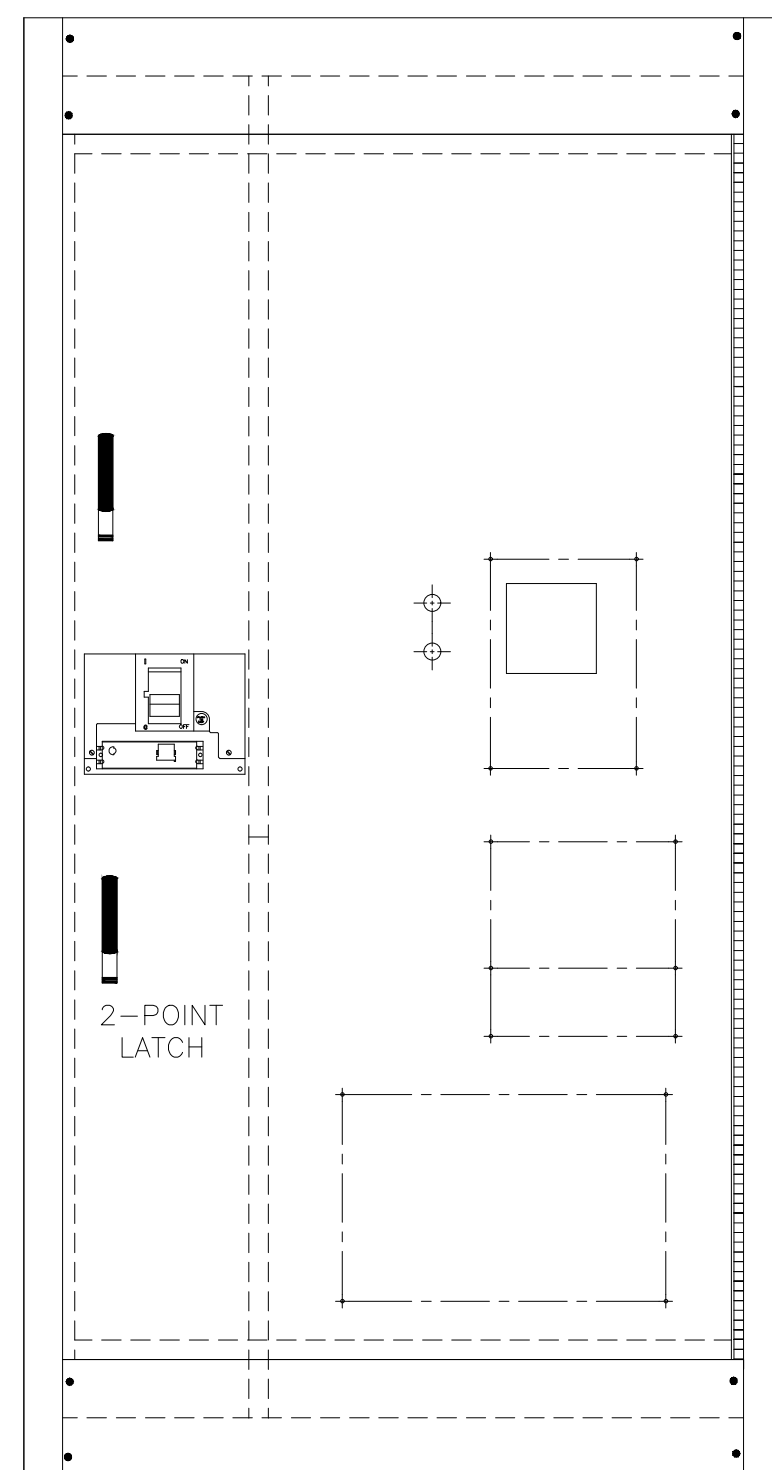
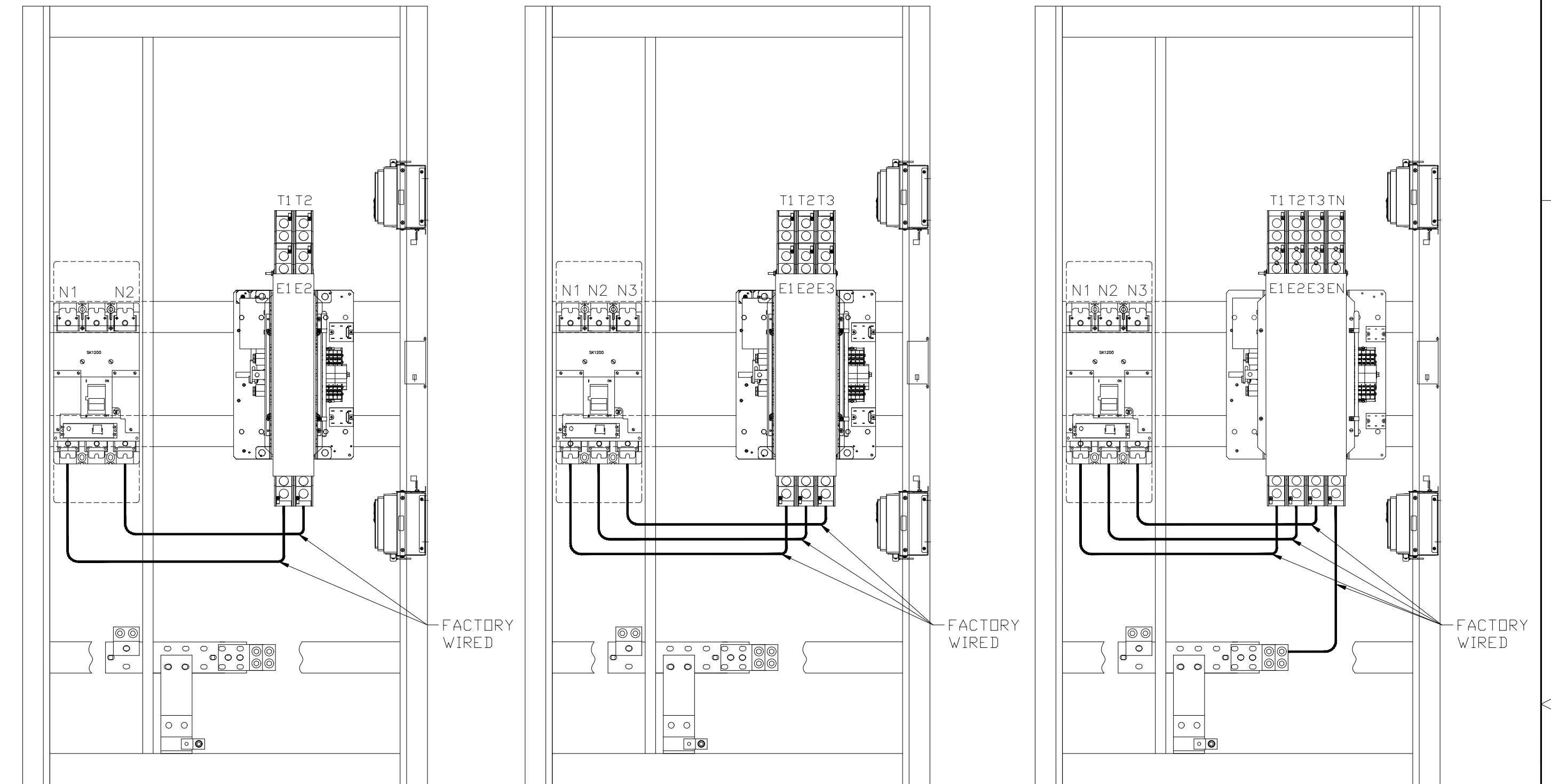
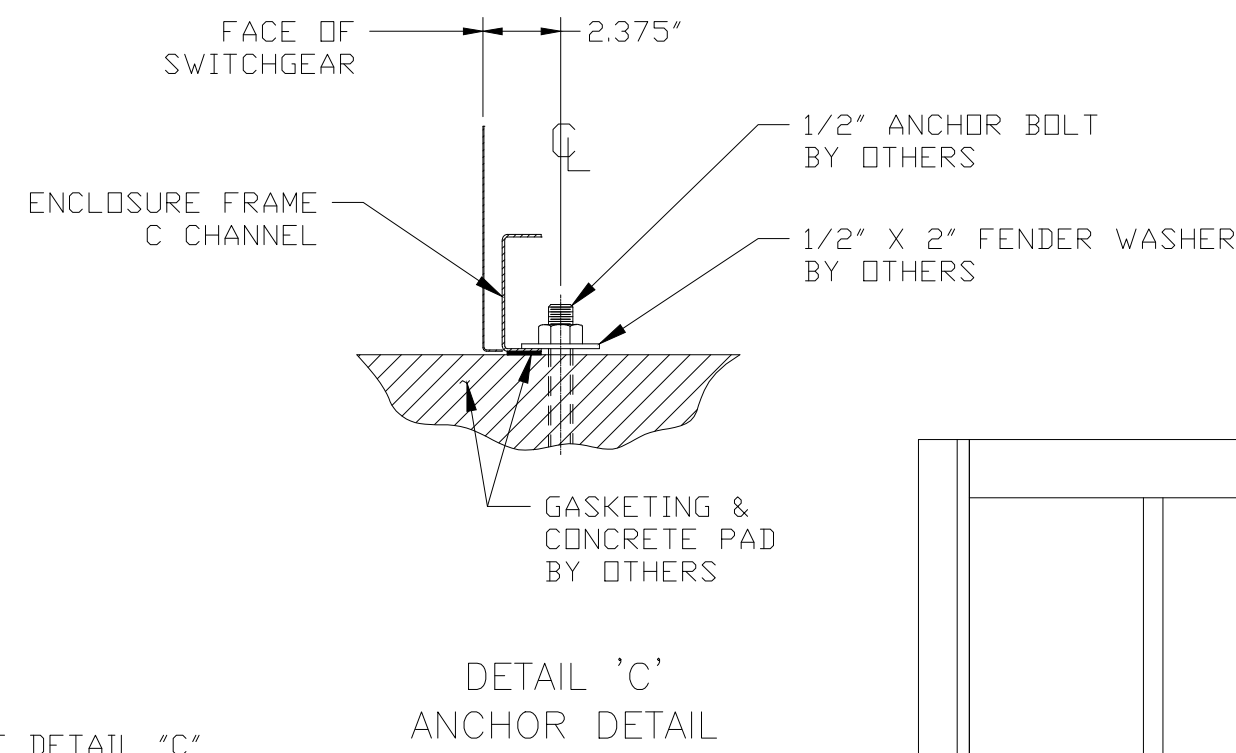
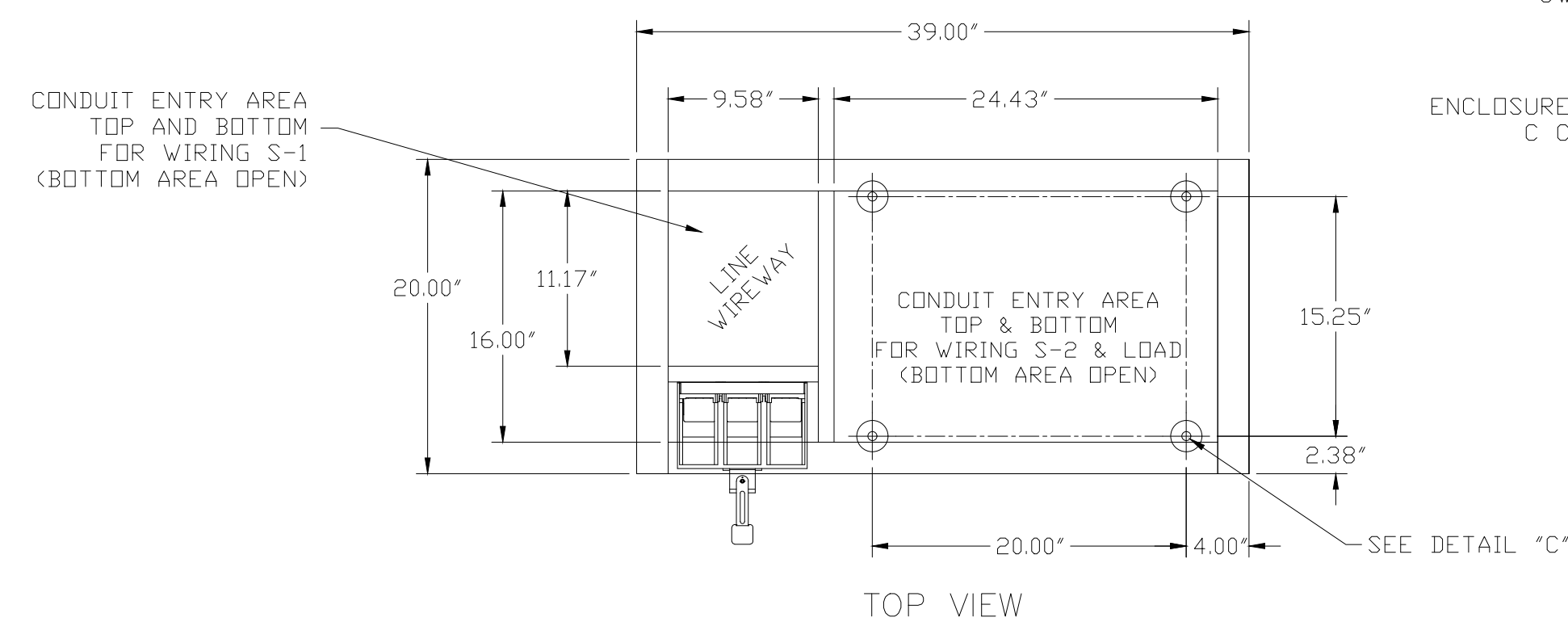
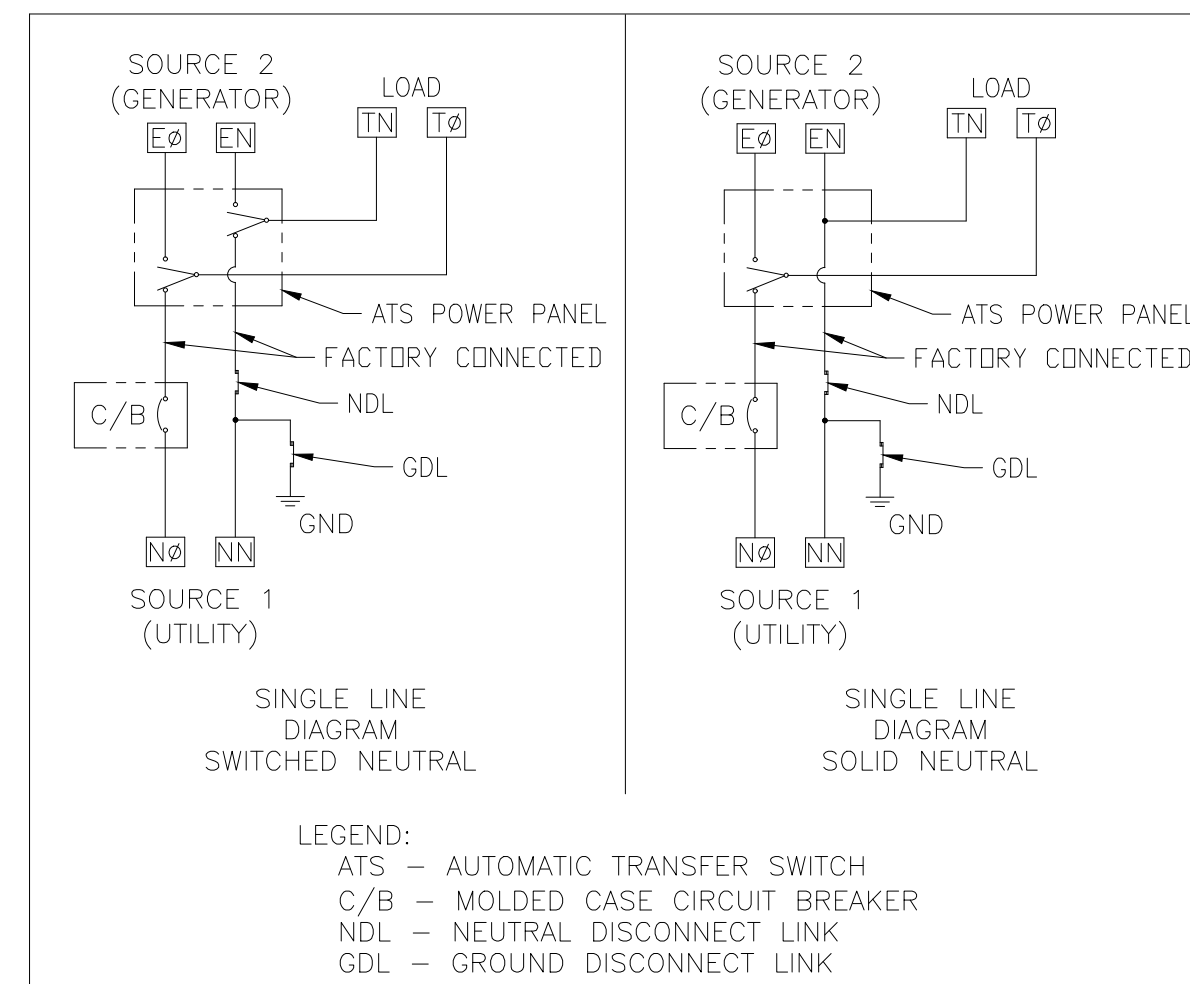


| REVISIONS | | | |
|-----------|----------------------------|----------|----------|
| REV. | DESCRIPTION | DATE | APPROVED |
| 2 | C075076 UPDATED REBRANDING | 09/09/19 | AR MAS |



CONTACT GE ZENITH CONTROLS FOR ADDITIONAL OPTIONS
OPTIONAL ACCESSORIES SHOWN IN PHANTOM DISPLAY



LEGEND:
ATS - AUTOMATIC TRANSFER SWITCH
C/B - MOLDED CASE CIRCUIT BREAKER
NDL - NEUTRAL DISCONNECT LINK
GDL - GROUND DISCONNECT LINK

| OPTIONS | | |
|---------|---------------------|--|
| NAME | DESCRIPTION | NOTES |
| BC | BATTERY CHARGER | 12V/6AMP OR 24V/3AMP OUTPUT |
| SPD | GE TRANQUELL ME | 100KA PER MODE, MEDIUM EXPOSURE AVAILABLE FOR SOURCE 1, 2 AND LOAD |
| EPM | POWER METER | SERIES OF METERING OPTIONS |
| STS | SHUNT TRIP SELECTOR | DOOR MOUNTED SHUNT TRIP SELECTOR SWITCH WITH SIGNAL INDICATING THE TRIP POSITION |
| BB | C/B AUX CONTACTS | 1 CONTACT WITH STS AND 2 WITHOUT STS OPTION |
| HT | HEATER STRIP | FACTORY SET THERMOSTAT |

| MCCB: GE, DIGITAL SLID STATE SPECTRA RMS BREAKER | | | | | |
|--|------------|---------------|----------------|------------------|----------------------------|
| AMP | MCCB FRAME | 80% RATED | WIRE RANGE | | ATS WCR RATING (UL) @ 480V |
| 600 | SK | 800AF / 600AT | S-1 (UTILITY) | S-2 (GENERATOR) | 50KA |
| | | | (3) 3/0-500MCM | (2) 2 AWG-600MCM | 65KA |

SYSTEM WITHSTAND RATING = 50 KA

NOTES:
ENCLOSURE: NEMA 3R TYPE (FLOOR MOUNTED)
FINISH: ANSI 61 GRAY
ACCESS: FRONT ONLY
MCCB ACCESSORY: PADLOCKING (PROVISION ONLY)

SYSTEM RATING AND SPECIFICATIONS:

SERVICE ENTRANCE: 600A, 2, 3 & 4 POLE UNIT, FULLY RATED
NEUTRAL DISCONNECT LINK: 100% RATED
GROUND DISCONNECT LINK: 100% RATED
* REFER TABLE FOR MORE DETAILS *

| FOR ADDITIONAL INFO REFER TO | | SIGNATURES | DATE | |
|--|-----------------------|------------------------------------|---------|--|
| APPLIED PRACTICES | MODEL | MRR | 3/24/10 | |
| TOLERANCES UNLESS OTHERWISE SPECIFIED DIMENSIONS ARE IN INCHES | DETAIL | | | |
| 2 PL. DECIMALS ± .020 | CHECKED | | | |
| 3 PL. DECIMALS ± .005 | ENGRG | YP | 3/24/10 | |
| ANGLES ± 1° | MFG | | | |
| FRACTIONS ± 1/64 | QUALITY | | | |
| FINISH ✓ | ISSUED | | | |
| DRAWING FILE: 50c-4235.dwg | MODEL / ASSEMBLY FILE | | | |
| AutoCad Generated | # CTGS | CRITICAL TO QUALITY CHARACTERISTIC | | |

TITLE
600A OUTLINE DRAWING
2, 3 & 4 POLE - NEMA 3R
FIRST MADE FOR: ZTGSE-600A
SIZE: D CAGE CODE: DWG NO: 50C-4235
SCALE: NONE SHEET 1 of 1

ABB PROPRIETARY AND CONFIDENTIAL INFORMATION
The information contained in this document has to be kept strictly confidential.
Any unauthorized use, reproduction, distribution or disclosure to third parties is strictly forbidden.
ABB reserves all rights regarding Intellectual Property Rights.
Copyright 2018 ABB. All rights reserved.

