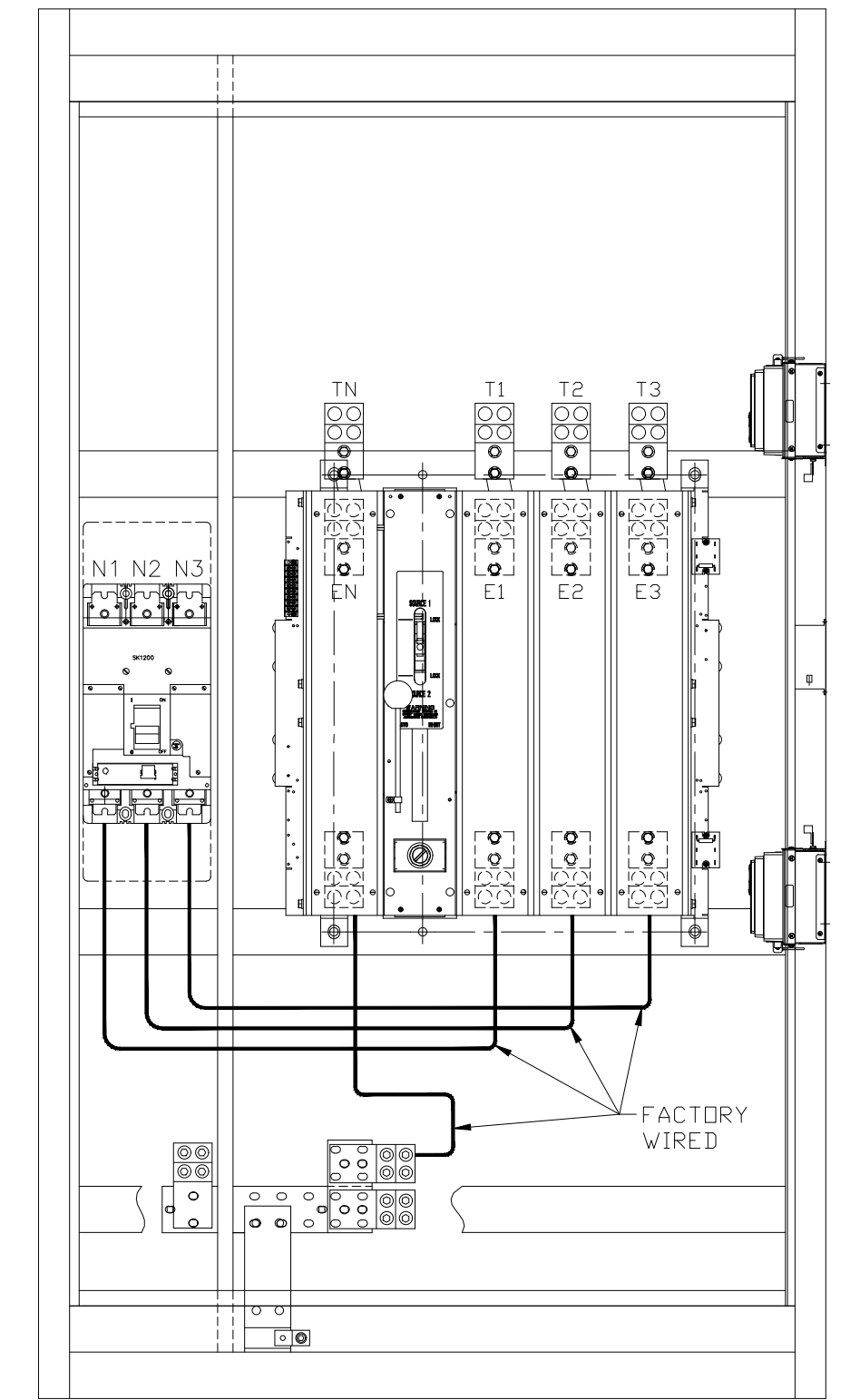
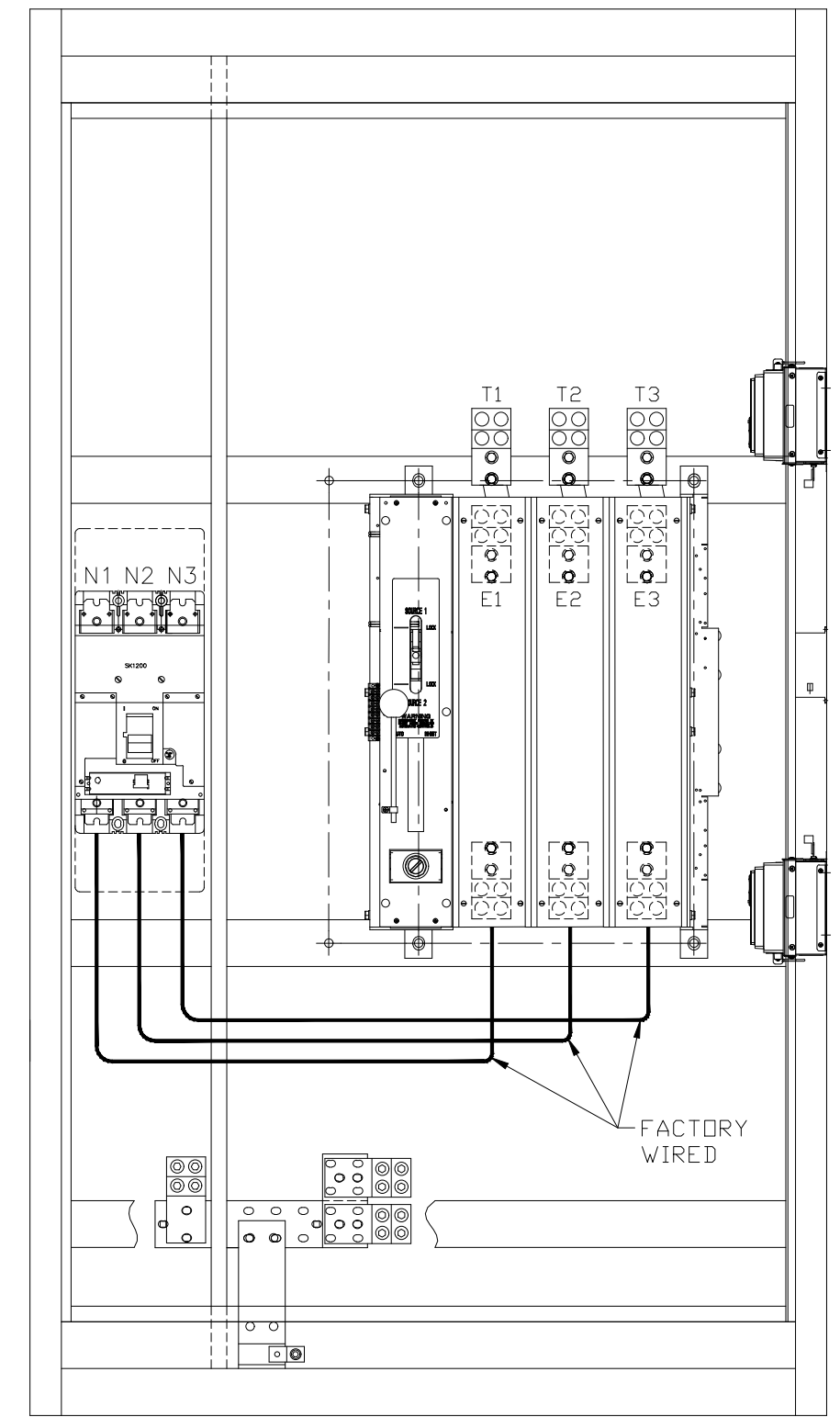
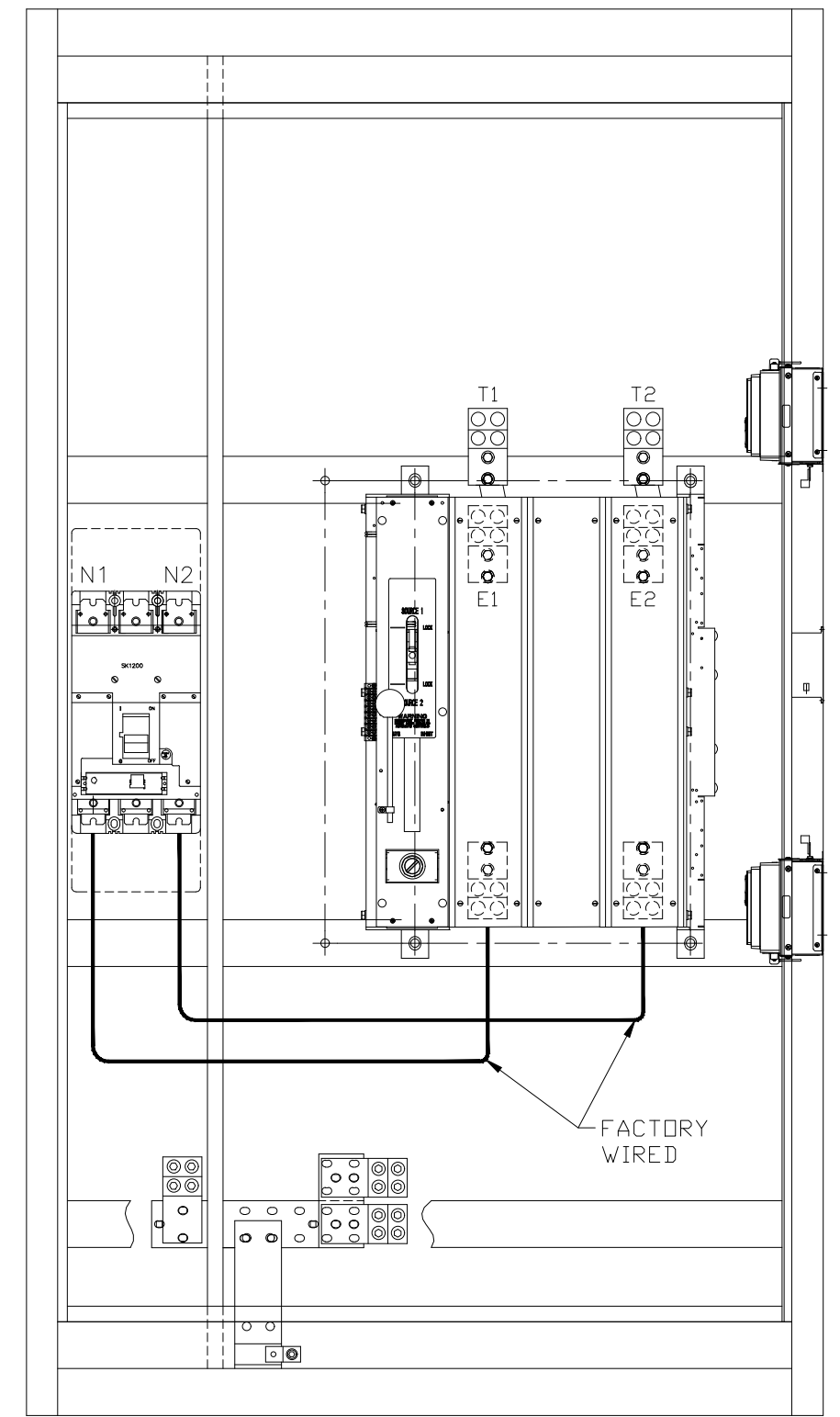
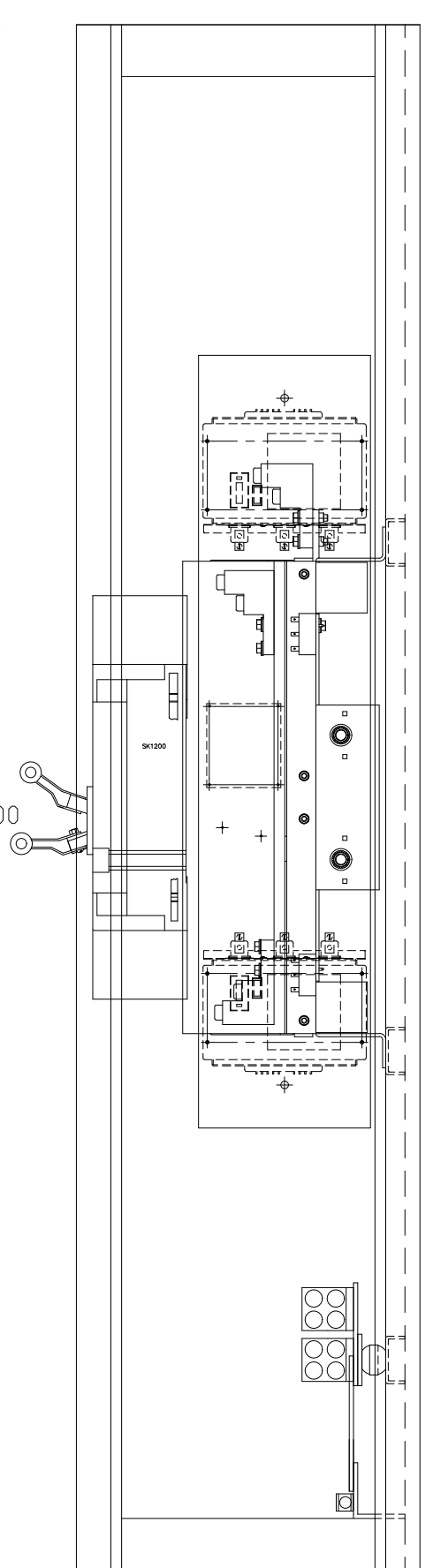
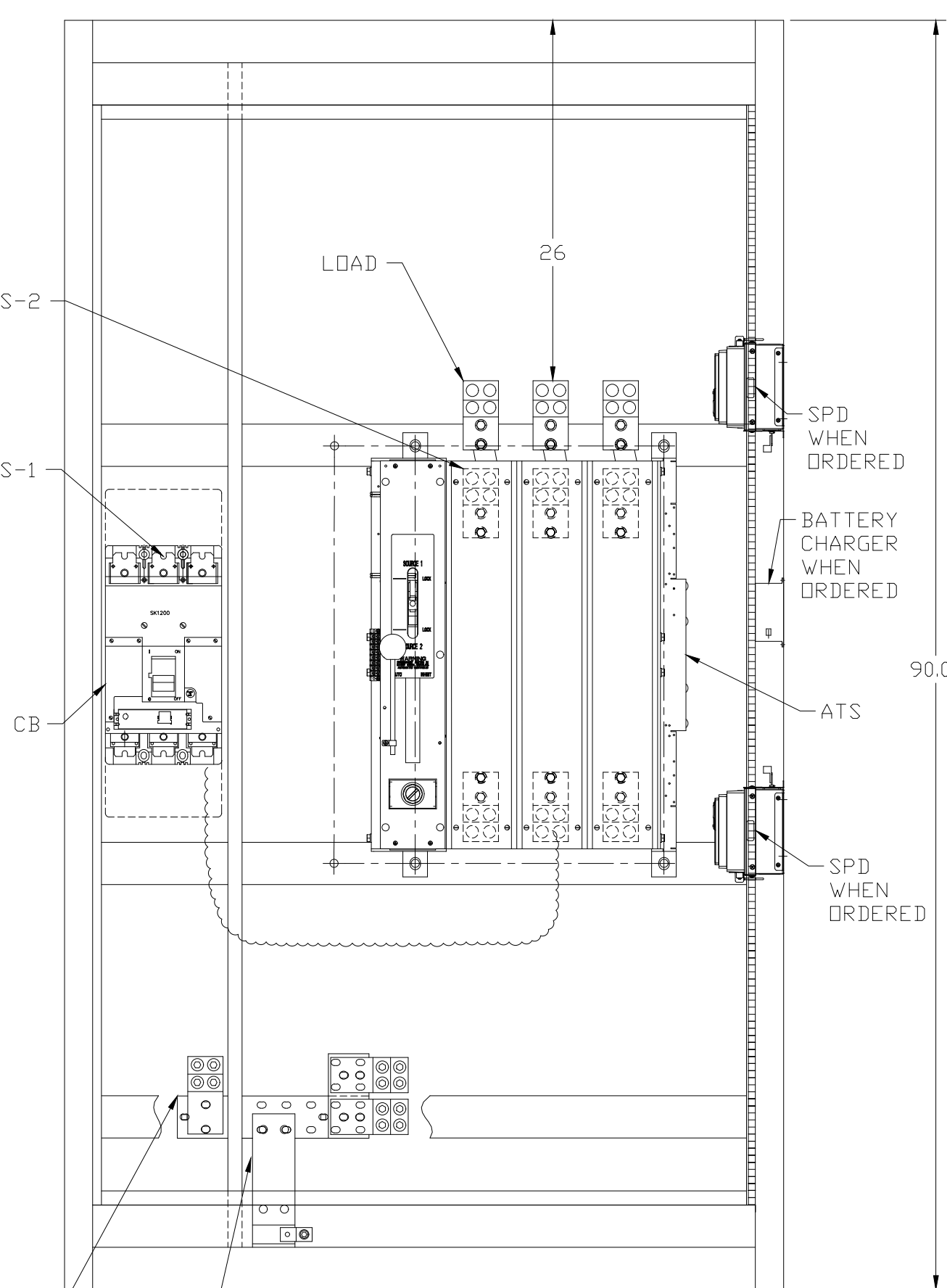
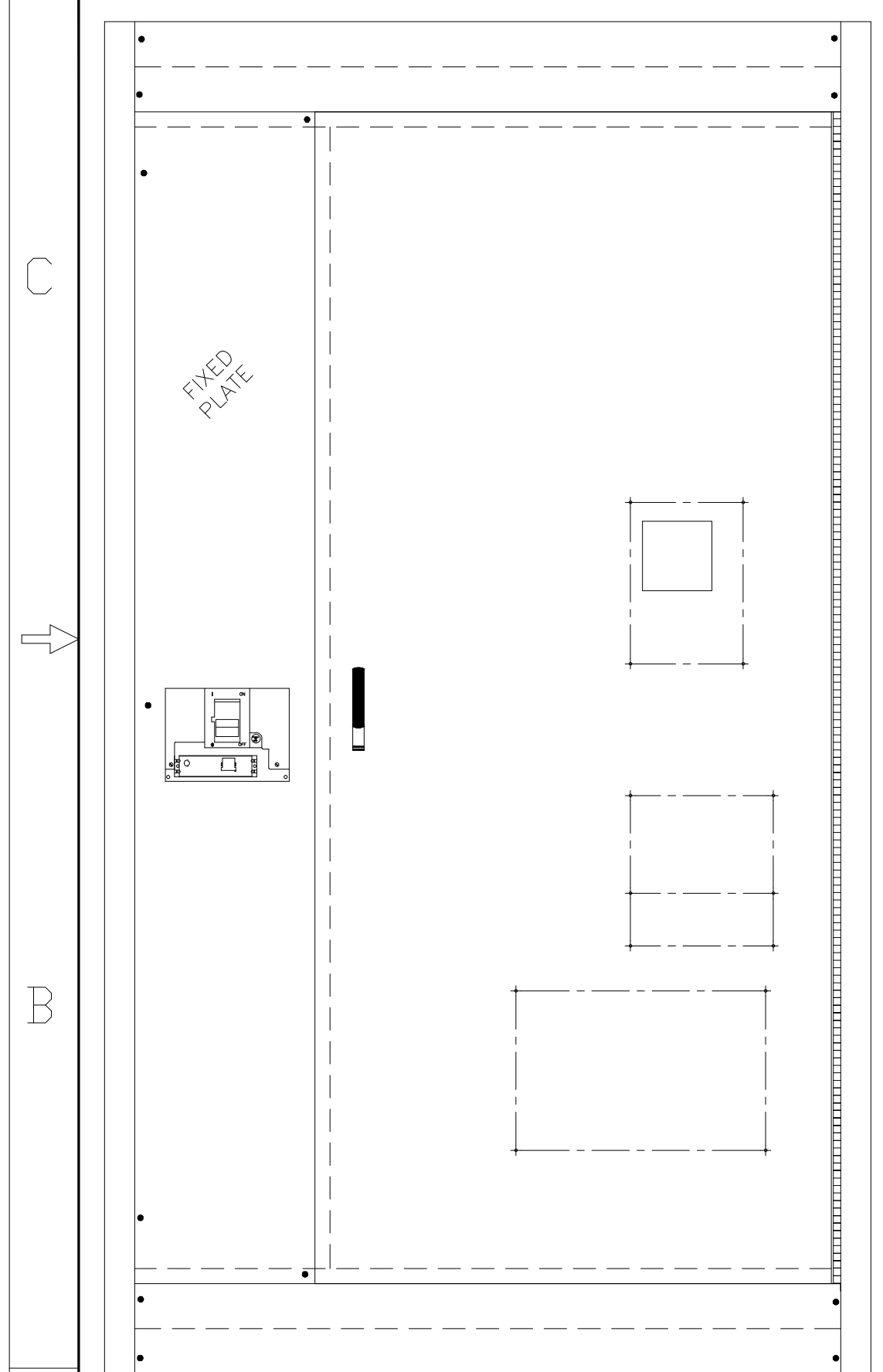
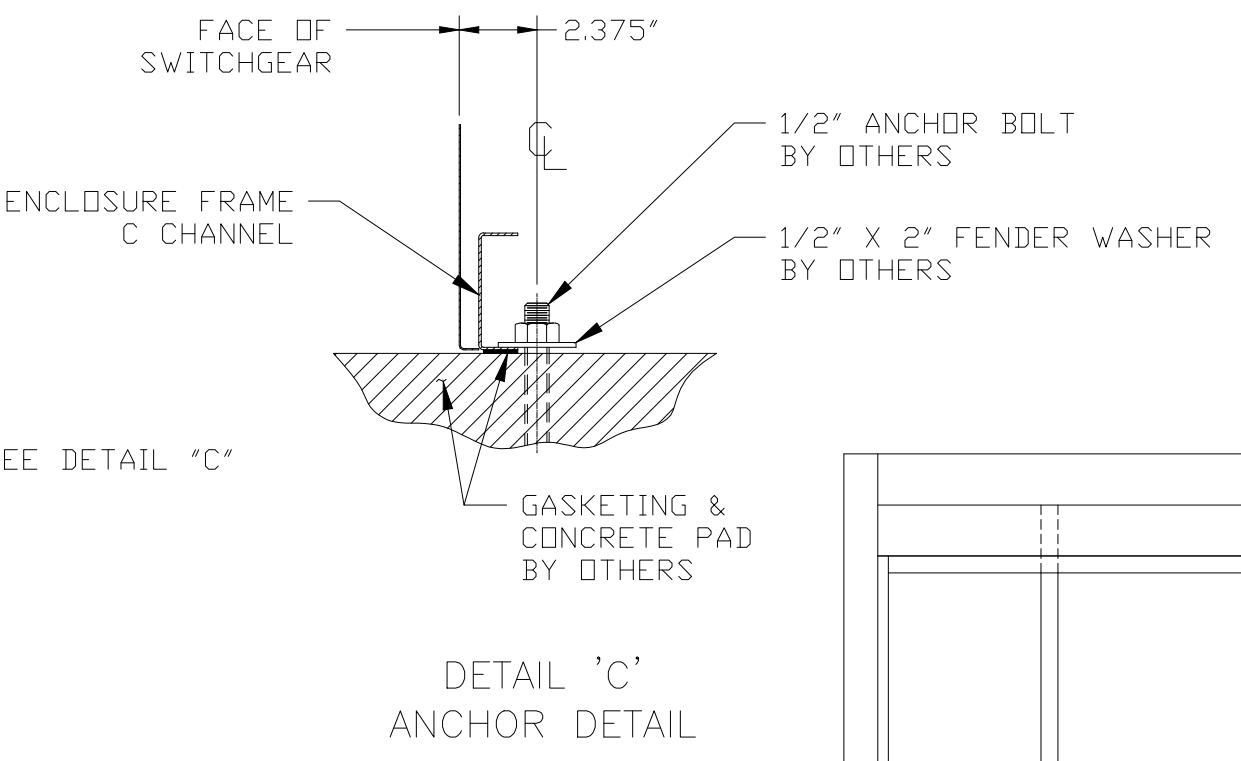
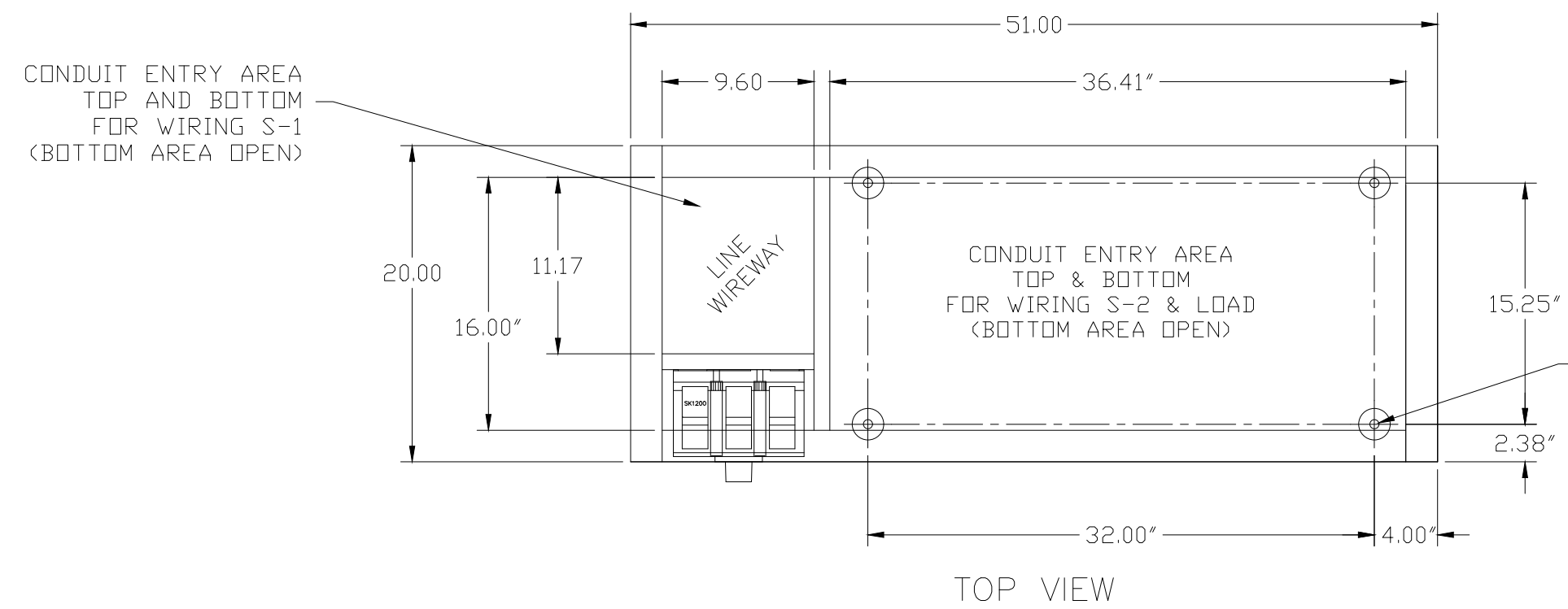
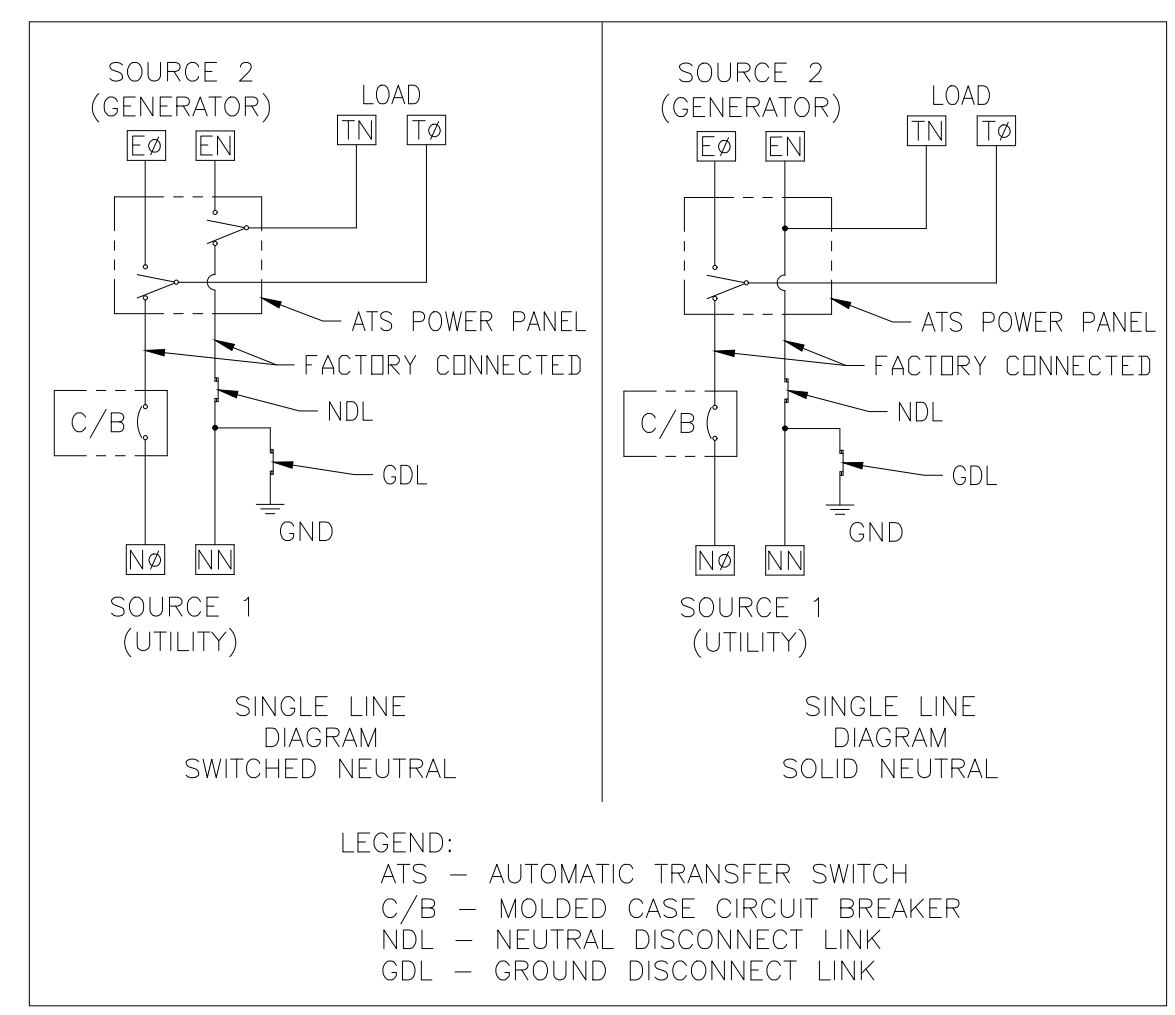


REVISIONS			
REV.	DESCRIPTION	DATE	APPROVED
2	C075076 UPDATED REBRANDING	09/06/19	AR MAS



CONTACT GE ZENITH CONTROLS FOR ADDITIONAL OPTIONS
OPTIONAL ACCESSORIES SHOWN IN PHANTOM DISPLAY



OPTIONS		
NAME	DESCRIPTION	NOTES
BC	BATTERY CHARGER	12V/6AMP OR 24V/3AMP OUTPUT
SPD	GE TRANQUILL ME	100KA PER MODE, MEDIUM EXPOSURE AVAILABLE FOR SOURCE 1, 2 AND LOAD
EPM	POWER METER	SERIES OF METERING OPTIONS
STS	SHUNT TRIP SELECTOR	DOOR MOUNTED SHUNT TRIP SELECTOR SWITCH WITH SIGNAL INDICATING THE TRIP POSITION
BB	C/B AUX CONTACTS	1 CONTACT WITH STS AND 2 WITHOUT STS OPTION

MCCB: GE, DIGITAL SLID STATE SPECTRA RMS BREAKER					
AMP	MCCB FRAME	80% RATED	WIRE RANGE		ATS WCR
800	SK	1200AF / 800AT	S-1 (UTILITY)	S-2 (GENERATOR)	RATING (UL) @ 480V
			(4) 250-500MCM	(4) 2 AWG-600MCM	(4) 2 AWG-600MCM
					BREAKER IC RATING (UL) @ 480V
					65KA
					65KA

SYSTEM WITHSTAND RATING = 65 KA

NOTES:
ENCLOSURE: NEMA 1 TYPE (FLOOR MOUNTED)
FINISH: ANSI 61 GRAY
ACCESS: FRONT ONLY
MCCB ACCESSORY: PADLOCKING (PROVISION ONLY)
SYSTEM RATING AND SPECIFICATIONS:
SERVICE ENTRANCE: 800A, 2, 3 & 4 POLE UNIT, FULLY RATED
NEUTRAL DISCONNECT LINK: 100% RATED
GROUND DISCONNECT LINK: 100% RATED
* REFER TABLE FOR MORE DETAILS *

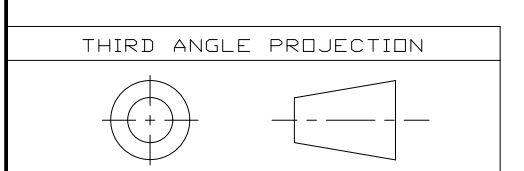


ABB PROPRIETARY AND CONFIDENTIAL INFORMATION
The information contained in the document has to be kept strictly confidential.
Any unauthorized use, reproduction, distribution or disclosure to third parties is strictly forbidden.
ABB reserves all rights regarding Intellectual Property Rights.
Copyright 2018 ABB. All rights reserved

FOR ADDITIONAL INFO REFER TO	SIGNATURES	DATE
APPLIED PRACTICES UNLESS OTHERWISE SPECIFIED DIMENSIONS ARE IN INCHES	MODEL MRR	3/24/10
TOLERANCES UNLESS OTHERWISE SPECIFIED	CHECKED ENGRG YP	3/24/10
2 PL. DECIMALS ± .020	QUALITY	
3 PL. DECIMALS ± .005	ISSUED	
ANGLES ± 1°	DRAWING FILE: 50c-4236.dwg	FIRST MADE FOR: ZTGSSE-800A
FRACTIONS ± 1/64	MODEL / ASSEMBLY FILE	SIZE CAGE CODE DWG NO
FINISH ✓	# CTGS	50C-4236

TITLE	
800A OUTLINE DRAWING	
2, 3 & 4 POLE - NEMA 1	
SCALE: NONE	SHEET 1 of 1



AutoCad Generated

CRITICAL TO QUALITY CHARACTERISTIC