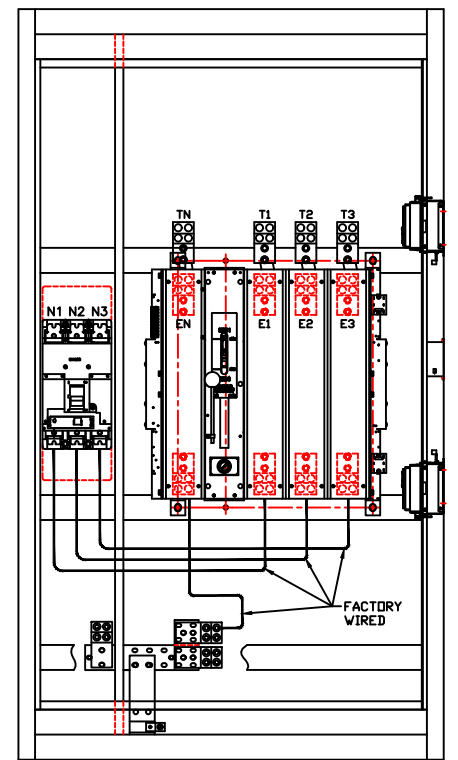
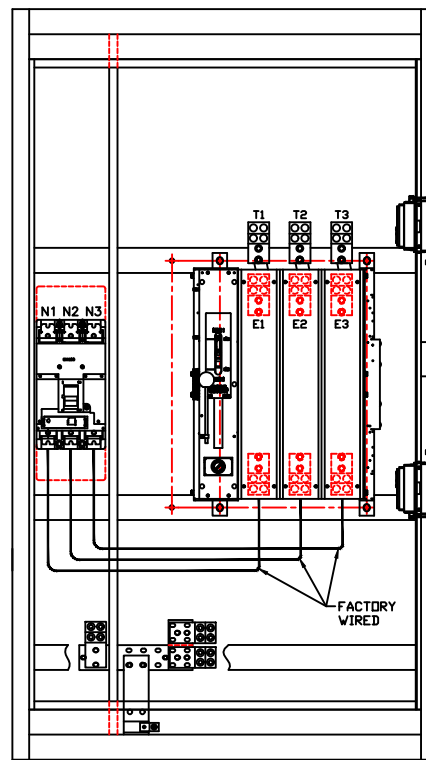
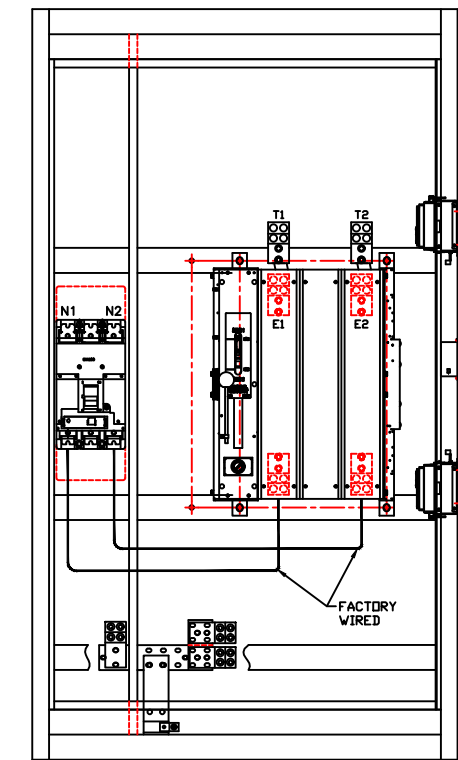
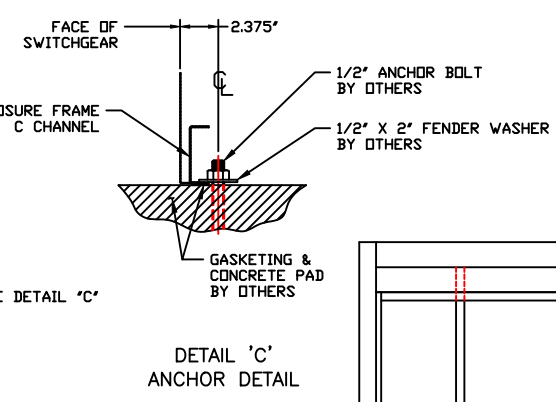
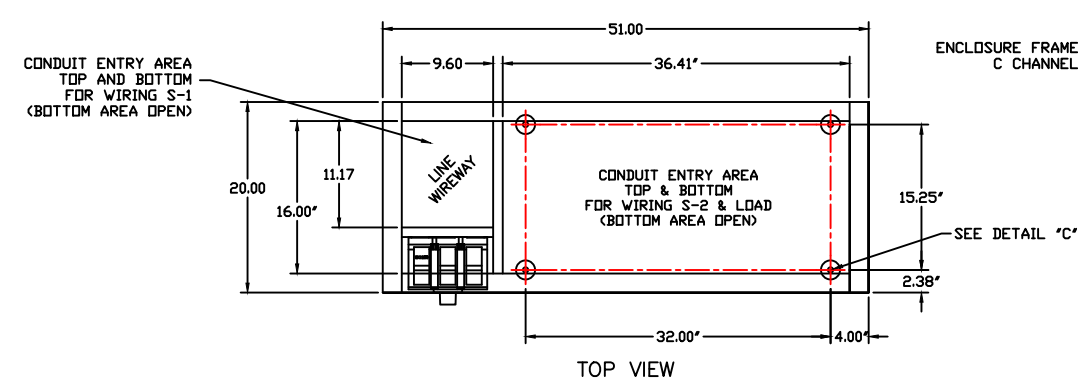


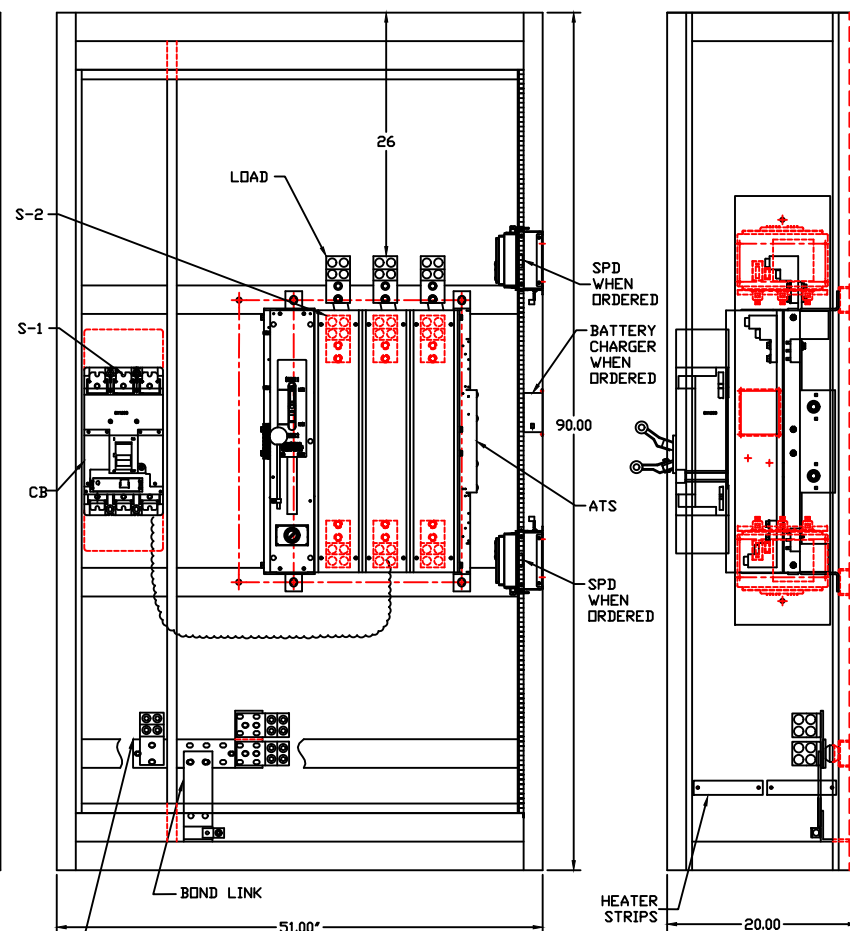
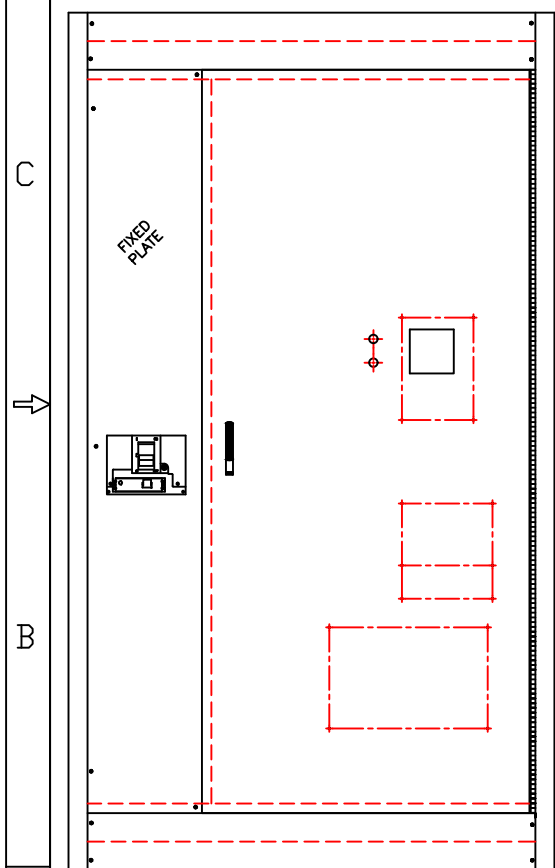
REVISIONS			
REV.	DESCRIPTION	DATE	APPROVED
2	C076273UPDATED REBRANDING	09/06/19	AR MAS



2 POLE WIRING

3 POLE WIRING

4 POLE WIRING

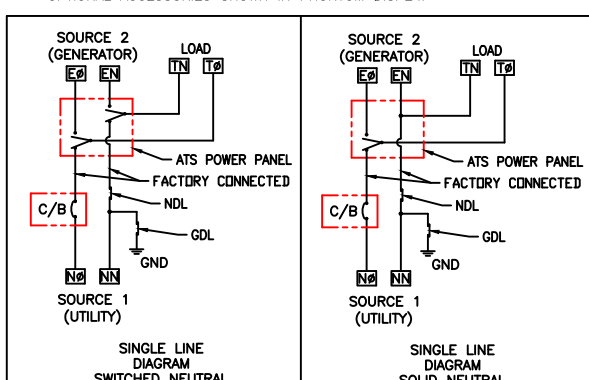


FRONT VIEW

INTERIOR VIEW

SIDE VIEW

CONTACT GE ZENITH CONTROLS FOR ADDITIONAL OPTIONS
OPTIONAL ACCESSORIES SHOWN IN PHANTOM DISPLAY



LEGEND:
ATS - AUTOMATIC TRANSFER SWITCH
C/B - MOLDED CASE CIRCUIT BREAKER
NDL - NEUTRAL DISCONNECT LINK
GDL - GROUND DISCONNECT LINK

OPTIONS		
NAME	DESCRIPTION	NOTES
BC	BATTERY CHARGER	12V/6AMP OR 24V/3AMP OUTPUT
SPD	GE TRANQUILL ME	100KA PER MODE, MEDIUM EXPOSURE AVAILABLE FOR SOURCE 1, 2 AND LOAD
EPM	POWER METER	SERIES OF METERING OPTIONS
STS	SHUNT TRIP SELECTOR	DOOR MOUNTED SHUNT TRIP SELECTOR SWITCH WITH SIGNAL INDICATING THE TRIP POSITION
BB	C/B AUX CONTACTS	1 CONTACT WITH STS AND 2 WITHOUT STS OPTION
HT	HEATER STRIP	FACTORY SET THERMOSTAT

MCCB: GE, DIGITAL SLID STATE SPECTRA RMS BREAKER						
AMP	MCCB FRAME	80% RATED	WIRE RANGE		ATS WCR	BREAKER IC RATING
800	SK	1200AF / 800AT	S-1 (UTILITY)	S-2 (GENERATOR)	RATING (UL) @ 480V	(UL) @ 480V
			(4) 250-500MCM	(4) 2 AWG-600MCM	65KA	65KA

SYSTEM WITHSTAND RATING = 65 KA

NOTES:
ENCLOSURE: NEMA 3R TYPE (FLOOR MOUNTED)
FINISH: ANSI 61 GRAY
ACCESS: FRONT ONLY
MCCB ACCESSORY: PADLOCKING (PROVISION ONLY)
SYSTEM RATING AND SPECIFICATIONS:
SERVICE ENTRANCE: 800A, 2, 3 & 4 POLE UNIT, FULLY RATED
NEUTRAL DISCONNECT LINK: 100% RATED
GROUND DISCONNECT LINK: 100% RATED
* REFER TABLE FOR MORE DETAILS *

FOR ADDITIONAL INFO REFER TO		SIGNATURES		DATE	TITLE 800A OUTLINE DRAWING 2, 3 & 4 POLE - NEMA 3R FIRST MADE FOR: ZTGSE-800A
APPLIED PRACTICES	UNLESS OTHERWISE SPECIFIED DIMENSIONS ARE IN INCHES	MODEL	MRR	3/25/10	
TOLERANCES ON:		CHECKED			
2 PL. DECIMALS ± .020		ENGRG	YP	3/25/10	
3 PL. DECIMALS ± .005		HFG			
ANGLES ± 1°		QUALITY			
FRACTIONS ± 1/64		ISSUED			
FINISH ✓		DRAWING FILE:	50c-4237.dwg	SIZE	DWG NO
		MODEL / ASSEMBLY FILE:		CAGE CODE	50C-4237
		* CTG's	CRITICAL TO QUALITY CHARACTERISTIC	SCALE: NONE	SHEET 1 of 1

ABB PROPRIETARY AND CONFIDENTIAL INFORMATION
The information contained in this document has to be kept strictly confidential.
Any unauthorized use, reproduction, distribution or disclosure to third parties is strictly forbidden.
ABB reserves all rights regarding intellectual Property Rights.
Copyright 2018 ABB. All rights reserved.

